

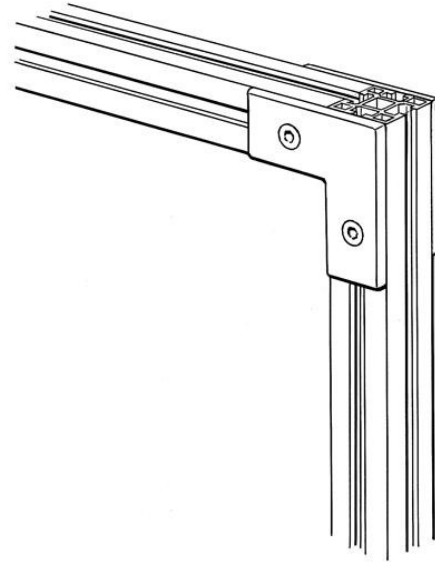


Electric Automation
Automation specialists

Reference: JSM 32B-K
Code: 2TLA040030R0700

JSM 32B-K L-bracket premounted

Buy it at [Electric Automation Network](#)



L- shaped mounting bracket in Aluminium for mounting profiles together, pre-assembled.

Ordering

EAN:	7350024462005
Minimum Order Quantity:	1 piece
Customs Tariff Number:	76109090

Dimensions

Product Net Width:	0.105 m
Product Net Height:	0.105 m
Product Net Depth:	0.06 m
Product Net Weight:	0.144 kg

Container Information

Package Level 1 Units:	1 piece
Package Level 1 Gross Weight:	0.144 kg

Additional Information

Product Main Type:	Quick-Guard
Product Name:	Safety Fencing Systems Quick Guard

Certificates and Declarations (Document Number)

Data Sheet, Technical Information:	2TLC172001C0202_chapter13
Declaration of Conformity - CE:	NoDecNee

Classifications

ETIM 4:	EC002309 - Adapter plate industrial connectors
ETIM 5:	EC002309 - Adapter plate industrial connectors
Object Classification Code:	X