

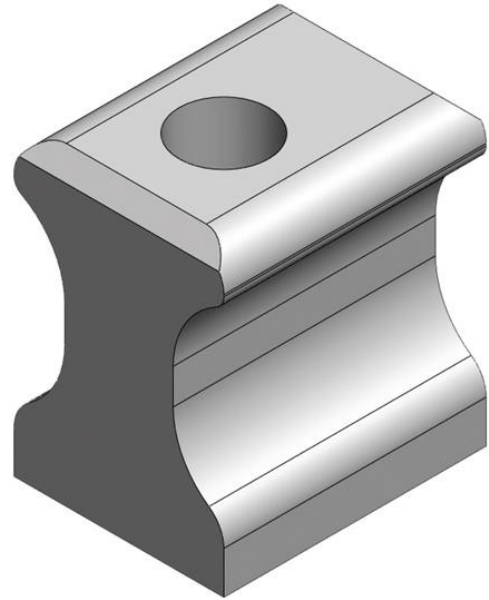


**Electric Automation**  
Automation specialists

Reference: DALTON  
Code: 2TLA020039R0800

Dalton tongue A

Buy it at Electric Automation Network



Lock tongue for front entry.

### Ordering

EAN:	7350024459470
Minimum Order Quantity:	1 piece
Customs Tariff Number:	85365080

### Dimensions

Product Net Width:	0.015 m
Product Net Height:	0.013 m
Product Net Depth:	0.017 m
Product Net Weight:	0.013 kg

### Container Information

Package Level 1 Units:	1 piece
Package Level 1 Width:	0.10 m
Package Level 1 Height:	0.012 m
Package Level 1 Length:	0.17 m
Package Level 1 Gross Weight:	0.013 kg

## Additional Information

Product Main Type:	Dalton Accessory
Product Name:	Tounge

## Certificates and Declarations (Document Number)

Data Sheet, Technical Information:	2TLC172001C0202_chapter09
Declaration of Conformity - CE:	2TLC172084D0201

## Classifications

ETIM 4:	EC001044 - Mechanic interlock for switch
ETIM 5:	EC001044 - Mechanic interlock for switch
Object Classification Code:	U