

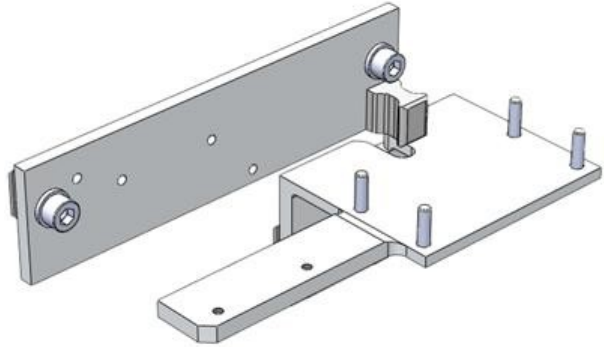


Electric Automation
Automation specialists

Reference: DALTON KIT 4
Code: 2TLA020039R0300

Dalton bracket 4

Buy it at [Electric Automation Network](#)



Fixing plates for Dalton and Eden adapted to ABB Jokab Safety fencing system.

Ordering

EAN:	7350024459159
Minimum Order Quantity:	1 piece
Customs Tariff Number:	76169990

Dimensions

Product Net Width:	0.159 m
Product Net Height:	0.048 m
Product Net Depth:	0.067 m
Product Net Weight:	0.0218 kg

Container Information

Package Level 1 Units:	1 piece
Package Level 1 Width:	0.17 m
Package Level 1 Height:	0.048 m
Package Level 1 Length:	0.25 m
Package Level 1 Gross Weight:	0.220 kg

Additional Information

Product Main Type:	Dalton Accessory
Product Name:	Bracket

Certificates and Declarations (Document Number)

Data Sheet, Technical Information:	2TLC172001C0202_chapter09
Declaration of Conformity - CE:	2TLC172084D0201

Classifications

ETIM 4:	EC002594 - Accessories for position switches
ETIM 5:	EC002594 - Accessories for position switches
Object Classification Code:	U