

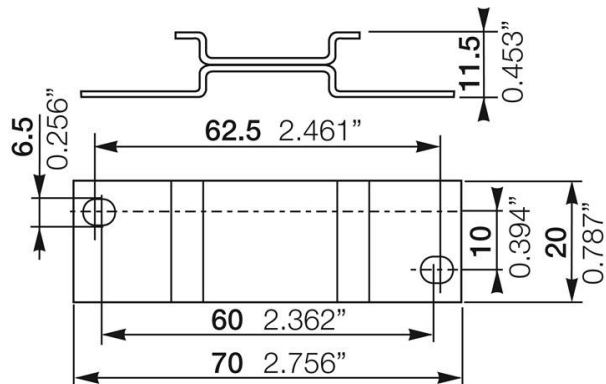


Electric Automation
Automation specialists

Reference: ADP.01
Code: 1SVR430029R0100

ADP.01 Adapter for screw-mounting
22.5mm

Buy it at Electric Automation Network



The ADP.01 adapter for screw mounting is an accessory. The adapter allows the screw mounting of a S housing on panel or wall.

Ordering

EAN:	4013614346774
Minimum Order Quantity:	1 piece
Customs Tariff Number:	85389099

Dimensions

Product Net Width:	20 mm
Product Net Height:	70 mm
Product Net Depth:	11.5 mm
Product Net Weight:	0.018 kg

Container Information

Package Level 1 Units:	1 piece
Package Level 1 Width:	21 mm
Package Level 1 Height:	71 mm
Package Level 1 Length:	12 mm
Package Level 1 Gross Weight:	0.021 kg

Environmental

RoHS Status:	Following EU Directive 2002/95/EC August 18, 2005 and amendment
--------------	---

Additional Information

Function:	11 Accessory
Output:	none
Product Main Type:	ADP
Product Name:	Adaptor
RoHS Date:	0147
Sub-Function:	none
Time Range:	none

Certificates and Declarations (Document Number)

Data Sheet, Technical Information:	2CDC110004C0209
Declaration of Conformity - CE:	NoDecNee
RoHS Information:	1SAA981053-4401

Classifications

ETIM 4:	EC002498 - Accessories for low-voltage switch technology
ETIM 5:	EC002498 - Accessories for low-voltage switch technology
UNSPSC:	39120000