

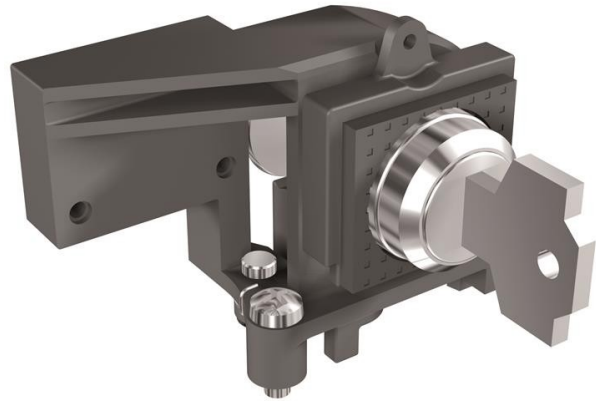


Electric Automation
Automation specialists

Reference: Acc. E2.2/E6.2
Code: 1SDA073791R1

KLC-D Key lock open E2.2...E6.2

Buy it at Electric Automation Network



KEY LOCK SEVERAL IN OPEN FOR 1 C.BREAKER E2.2...E6.2

Ordering

| | |
|-------------------------|---------------|
| EAN: | 8015644777241 |
| Minimum Order Quantity: | 1 piece |
| Customs Tariff Number: | 85389099 |

Container Information

| | |
|----------------------|---------------|
| Package Level 1 EAN: | 8015644777241 |
|----------------------|---------------|

Additional Information

| | |
|-----------------------------|------------------------|
| Product Main Type: | Accessories for Emax 2 |
| Product Name: | Accessory |
| Product Type: | ACC |
| Standards: | IEC |
| Suitable For: | E2.2 E4.2 E6.2 |
| Suitable for Product Class: | SACE Emax 2 |

Certificates and Declarations (Document Number)

| | |
|------------------------------------|-----------------|
| Data Sheet, Technical Information: | 1SDC200023D0204 |
|------------------------------------|-----------------|

Declaration of Conformity - CE:

1SDL000165R0020
1SDL000165R0021
1SDL000165R0022

Classifications

Object Classification Code:

Q