

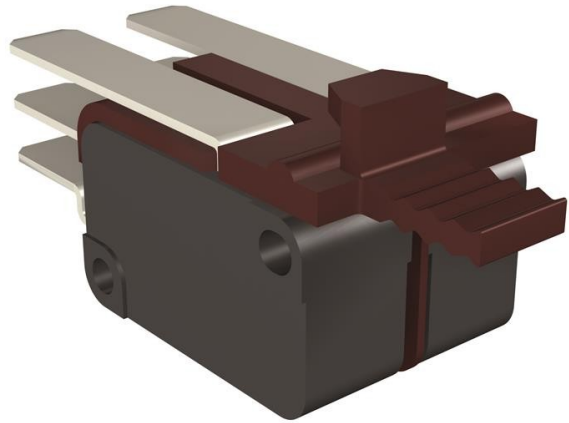


Electric Automation
Automation specialists

Reference: Acc. E1.2
Code: 1SDA073752R1

AUX 2Q 400VAC + 2Q 24VDC E1.2

Buy it at Electric Automation Network



2 CHANGEOVER CONTACT OPEN-CLOSED V <(><<<)> 400V AC + 2 CHANGEOVER CONTACT OPEN-CLOSED V <(><<<)> 24V DC E1.2

Ordering

EAN:	8015644776855
Minimum Order Quantity:	1 piece
Customs Tariff Number:	85389099

Container Information

Package Level 1 EAN:	8015644776855
----------------------	---------------

Additional Information

Product Main Type:	Accessories for Emax 2
Product Name:	Accessory
Product Type:	ACC
Standards:	IEC
Suitable For:	E1.2
Suitable for Product Class:	SACE Emax 2

Certificates and Declarations (Document Number)

Data Sheet, Technical Information:	1SDC200023D0204
Declaration of Conformity - CE:	1SDL000165R0019

Classifications

Object Classification Code:	Q
-----------------------------	---