

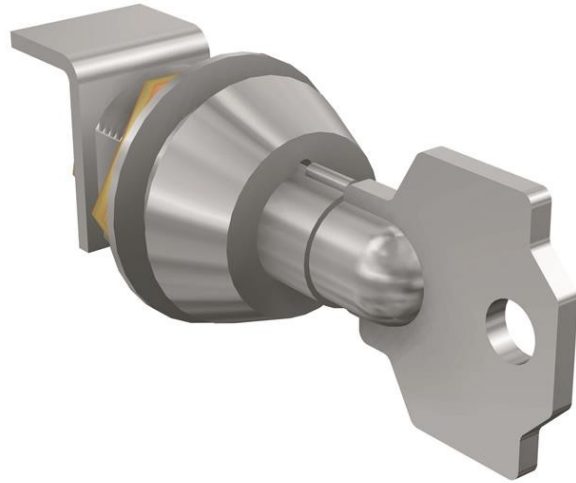


Electric Automation
Automation specialists

Reference: XT1/4
Code: 1SDA066618R1

RHL XT1..XT4 KEY LOCK RONIS EQ. FEL.
A

Buy it at Electric Automation Network



KEY LOCK RONIS EQUAL FELLOW A IN OPEN FOR ROTARY HANDLE OPERATING MECH.
AND FRONT PANEL BETWEEN MORE C.BREAKERS XT1..XT4

Ordering

| | |
|-------------------------|---------------|
| EAN: | 8015644693572 |
| Minimum Order Quantity: | 1 piece |
| Customs Tariff Number: | 85389099 |

Dimensions

| | |
|---------------------|--------|
| Product Net Weight: | 0.1 kg |
|---------------------|--------|

Container Information

| | |
|-------------------------------|---------------|
| Package Level 1 Units: | 1 piece |
| Package Level 1 Gross Weight: | 0.1 kg |
| Package Level 1 EAN: | 8015644693572 |

Additional Information

| | |
|--------------------|--------------------------------|
| Product Main Type: | Accessories for Tmax XT |
| Product Name: | Accessory for Circuit Breakers |
| Product Type: | ACC |
| Standards: | IEC 60947-2 |

| | |
|-----------------------------|--------------------------|
| Suitable For: | XT1 XT2 XT3 XT4 |
| Suitable for Product Class: | SACE Tmax XT |

Certificates and Declarations (Document Number)

| | |
|------------------------------------|-----------------|
| Data Sheet, Technical Information: | 1SDC210033D0202 |
| Declaration of Conformity - CE: | 1SDL000165R0009 |

Classifications

| | |
|-----------------------------|----------|
| Object Classification Code: | Q |
| UNSPSC: | 39120000 |