

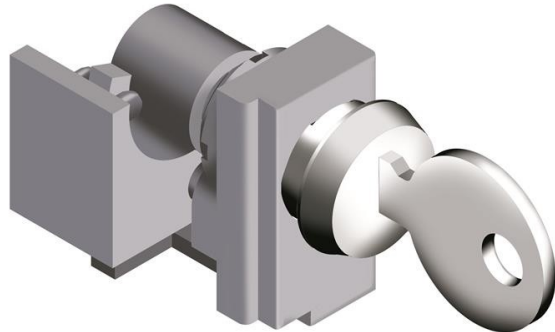


**Electric Automation**  
Automation specialists

Reference: T3  
Code: 1SDA053530R1

KLC T3 KEY LOCK RONIS OP, X C.BREAK.

Buy it at [Electric Automation Network](#)



KEY LOCK RONIS 622 IN OPEN WITH KEY WITHDRAWABLE IN OPEN POSITION FOR C.BREAKER T3

### Ordering

EAN:	8015644544782
Minimum Order Quantity:	1 piece
Customs Tariff Number:	85389099

### Dimensions

Product Net Weight:	0.064 kg
---------------------	----------

### Container Information

Package Level 1 Units:	1 piece
Package Level 1 Gross Weight:	0.064 kg
Package Level 1 EAN:	8015644544782

### Additional Information

Product Main Type:	Accessories for Tmax T
Product Name:	Accessory for Circuit Breakers
Product Type:	ACC
Standards:	IEC
Suitable For:	T3
Suitable for Product Class:	SACE Tmax T

Certificates and Declarations (Document Number)

Data Sheet, Technical Information:	1SDC210015D0201
Declaration of Conformity - CE:	1SDL000165R0001

Classifications

Object Classification Code:	Q
UNSPSC:	39121100