

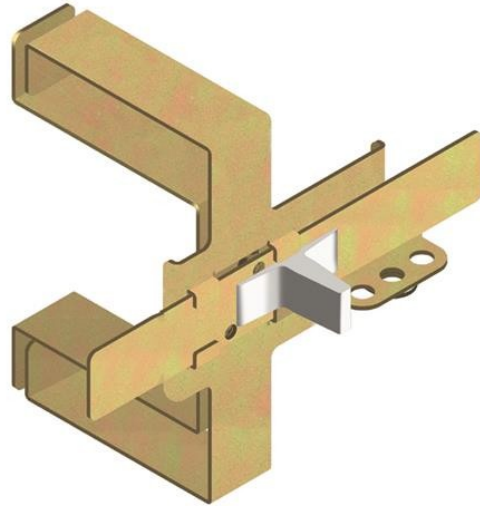


Electric Automation
Automation specialists

Reference: T1-T2-T3
Code: 1SDA051396R1

MIF T1-T2-T3 MECH, LOCK 2 C.BREAKER

Buy it at [Electric Automation Network](#)



MECHANICAL INTERLOCK BETWEEN 2 C.BREAKERS T1-T2-T3

Ordering

EAN:	8015644518172
Minimum Order Quantity:	1 piece
Customs Tariff Number:	85389099

Dimensions

Product Net Weight:	0.65 kg
---------------------	---------

Container Information

Package Level 1 Units:	1 piece
Package Level 1 Width:	120 mm
Package Level 1 Height:	110 mm
Package Level 1 Length:	315 mm
Package Level 1 Gross Weight:	0.75 kg
Package Level 1 EAN:	8015644518172

Environmental

RoHS Status:	Planned to follow EU Directive 2002/95/EC August 18, 2005 and amendment after 2006-07-01
--------------	--

Additional Information

Device:	T1-T2-T3
Product Main Type:	Accessories for Tmax T
Product Name:	Accessory for Circuit Breakers
Product Type:	ACC
Standards:	IEC
Suitable For:	T1 T2 T3
Suitable for Product Class:	SACE Tmax T

Certificates and Declarations (Document Number)

Data Sheet, Technical Information:	1SDC210015D0201
Declaration of Conformity - CE:	1SDL000165R0001
RoHS Information:	1SDL000200R0001

Classifications

Object Classification Code:	Q
UNSPSC:	39120000