



Automatización Eléctrica

Especialistas en Automatización

At the end of this document you will find links to products related to this catalog. You can go directly to our shop by clicking [HERE](#)

General Information

Extended Product Type:	Dalton tounge A
Product ID:	2TLA020039R0800
EAN:	7350024459470
Catalog Description:	Dalton tounge A
Long Description:	Lock tongue for front entry.

Categories

Products » Low Voltage Products and Systems » Control Products » Safety Products » Safety Sensors, Switches and Locks

Products » Low Voltage Products and Systems » Control Products » Safety Products » Safety Sensors, Switches and Locks Accessories

Ordering

EAN:	7350024459470
Minimum Order Quantity:	1 piece
Customs Tariff Number:	85365080

Dimensions

Product Net Width:	0.015 m
Product Net Height:	0.013 m
Product Net Depth:	0.017 m
Product Net Weight:	0.013 kg

Container Information

Package Level 1 Units:	1 piece
Package Level 1 Width:	0.10 m
Package Level 1 Height:	0.012 m
Package Level 1 Length:	0.17 m
Package Level 1 Gross Weight:	0.013 kg

Additional Information

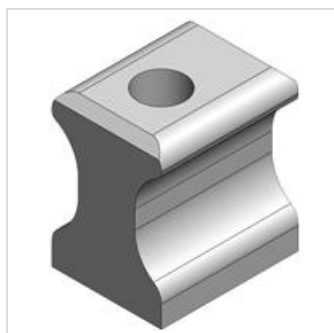
Product Main Type:	Dalton Accessory
Product Name:	Tounge

Certificates and Declarations (Document Number)

Data Sheet, Technical Information:	2TLC172001C0202_chapter09
Declaration of Conformity - CE:	2TLC172084D0201

Classifications

ETIM 4:	EC001044 - Mechanic interlock for switch
ETIM 5:	EC001044 - Mechanic interlock for switch
Object Classification Code:	U





Below is a list of articles with direct links to our shop Electric Automation Network where you can see:

- Quote per purchase volume in real time.
- Online documentation and datasheets of all products.
- Estimated delivery time enquiry in real time.
- Logistics systems for the shipment of materials almost anywhere in the world.
- Purchasing management, order record and tracking of shipments.

To access the product, [click on the green button.](#)

Product	Code	Reference	Product link
Dalton tounge A	2TLA020039R0800	DALTON	Buy on EAN