



Automatización Eléctrica

Especialistas en Automatización

At the end of this document you will find links to products related to this catalog. You can go directly to our shop by clicking [HERE](#)

General Information

Extended Product Type:	Dalton bracket 1
Product ID:	2TLA020039R0000
EAN:	7350024459128
Catalog Description:	Dalton bracket 1
Long Description:	Fixing plates for Dalton and lock tongue.

Categories

Products » Low Voltage Products and Systems » Control Products » Safety Products » Safety Sensors, Switches and Locks

Products » Low Voltage Products and Systems » Control Products » Safety Products » Safety Sensors, Switches and Locks Accessories

Ordering

EAN:	7350024459128
Minimum Order Quantity:	1 piece
Customs Tariff Number:	76169990

Dimensions

Product Net Width:	0.115 m
Product Net Height:	0.04 m
Product Net Depth:	0.10 m
Product Net Weight:	0.110 kg

Container Information

Package Level 1 Units:	1 piece
Package Level 1 Width:	0.17 m
Package Level 1 Height:	0.10 m
Package Level 1 Length:	0.24 m
Package Level 1 Gross Weight:	0.11 kg

Additional Information

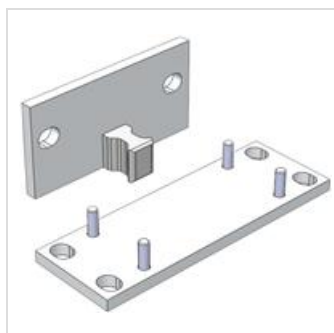
Product Main Type:	Dalton Accessory
Product Name:	Bracket

Certificates and Declarations (Document Number)

Data Sheet, Technical Information:	2TLC172001C0202_chapter09
Declaration of Conformity - CE:	2TLC172084D0201

Classifications

ETIM 4:	EC002594 - Accessories for position switches
ETIM 5:	EC002594 - Accessories for position switches
Object Classification Code:	U





Below is a list of articles with direct links to our shop Electric Automation Network where you can see:

- Quote per purchase volume in real time.
- Online documentation and datasheets of all products.
- Estimated delivery time enquiry in real time.
- Logistics systems for the shipment of materials almost anywhere in the world.
- Purchasing management, order record and tracking of shipments.

To access the product, [click on the green button.](#)

Product	Code	Reference	Product link
Dalton bracket 1	2TLA020039R0000	DALTON KIT 1	Buy on EAN