



Automatización Eléctrica

Especialistas en Automatización

At the end of this document you will find links to products related to this catalog. You can go directly to our shop by clicking [HERE](#)

General Information

Extended Product Type:	Safeball Coat
Product ID:	2TLA020007R1900
EAN:	7350024467543
Catalog Description:	Safeball Protection Coat
Long Description:	Extra protection coat for Safeball.

Categories

Products » Low Voltage Products and Systems » Control Products » Safety Products » Safety Control Devices Accessories

Ordering

EAN:	7350024467543
Minimum Order Quantity:	1 piece
Customs Tariff Number:	40169300

Dimensions

Product Net Width:	0.070 m
Product Net Height:	0.070 m
Product Net Depth:	0.070 m
Product Net Weight:	0.019 kg

Container Information

Package Level 1 Units:	1 piece
Package Level 1 Width:	0.12 m
Package Level 1 Height:	0.04 m
Package Level 1 Length:	0.156 m

Additional Information

Product Main Type:	JSTD1 Accessory
Product Name:	Protection

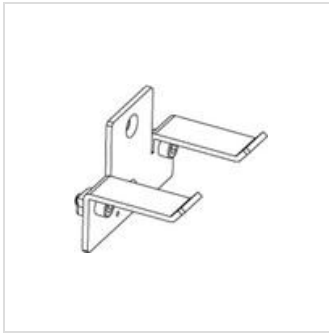
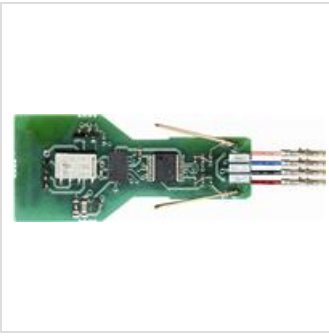
Certificates and Declarations (Document Number)

Data Sheet, Technical Information:	2TLC172001C0202_chapter10
Declaration of Conformity - CE:	NoDecNee

Classifications

ETIM 4:	EC002102 - Protection coat
ETIM 5:	EC002102 - Protection coat
Object Classification Code:	F







Below is a list of articles with direct links to our shop Electric Automation Network where you can see:

- Quote per purchase volume in real time.
- Online documentation and datasheets of all products.
- Estimated delivery time enquiry in real time.
- Logistics systems for the shipment of materials almost anywhere in the world.
- Purchasing management, order record and tracking of shipments.

To access the product, [click on the green button.](#)

Product	Code	Reference	Product link
Safeball Protection Coat	2TLA020007R1900		Buy on EAN