



Automatización Eléctrica

Especialistas en Automatización

At the end of this document you will find links to products related to this catalog. You can go directly to our shop by clicking [HERE](#)

General Information

Extended Product Type:	RHE_EM T4-T5 F/P EMER. RETURNED
Product ID:	1SDA054930R1
EAN:	8015644560522
Catalog Description:	RHE_EM T4-T5 F/P EMER. RETURNED
Long Description:	ROTARY HANDLE OPERATING MECHANISM EMERGENCY ADJUSTABLE DEPTH L=500 MM WITH PADLOCK DEVICE AND DOOR INTERLOCK FOR C.BREAKER FIXED-PLUG-IN T4-T5

Categories

Products » Low Voltage Products and Systems » Circuit Breakers » Moulded Case Circuit Breakers » Accessories for Tmax T

Ordering

EAN:	8015644560522
Minimum Order Quantity:	1 piece
Customs Tariff Number:	85389099

Dimensions

Product Net Weight:	0.6 kg
---------------------	--------

Container Information

Package Level 1 Units:	1 piece
Package Level 1 Gross Weight:	0.8 kg
Package Level 1 EAN:	8015644560522

Environmental

RoHS Status:	Planned to follow EU Directive 2002/95/EC August 18, 2005 and amendment after 2006-07-01
--------------	--

Additional Information

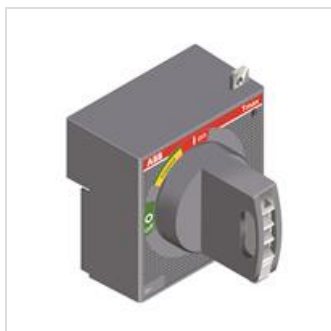
Product Main Type:	Accessories for Tmax T
Product Name:	Accessory for Circuit Breakers
Product Type:	ACC
Standards:	IEC
Suitable For:	T4 T5
Suitable for Product Class:	SACE Tmax T

Certificates and Declarations (Document Number)

Data Sheet, Technical Information:	1SDC210015D0201
Declaration of Conformity - CE:	1SDL000165R0001
RoHS Information:	1SDL000200R0001

Classifications

Object Classification Code:	Q
UNSPSC:	39120000





Below is a list of articles with direct links to our shop Electric Automation Network where you can see:

- Quote per purchase volume in real time.
- Online documentation and datasheets of all products.
- Estimated delivery time enquiry in real time.
- Logistics systems for the shipment of materials almost anywhere in the world.
- Purchasing management, order record and tracking of shipments.

To access the product, [click on the green button.](#)

Product	Code	Reference	Product link
RHE_EM T4-T5 F/P EMER. RETURNED	1SDA054930R1	T4-T5	Buy on EAN