



**Automatización Eléctrica**

Especialistas en Automatización

At the end of this document you will find links to products related to this catalog. You can go directly to our shop by clicking [HERE](#)

# RHE\_S T1-T2-T3 500MM ROD R.D.ADJ.ROT.HAN



## General Information

Extended Product Type:	RHE_S T1-T2-T3 500MM ROD R.D.ADJ.ROT.HAN
Product ID:	1SDA051386R1
EAN:	8015644518073
Catalog Description:	RHE_S T1-T2-T3 500MM ROD R.D.ADJ.ROT.HAN
Long Description:	ROD FOR ADJUSTABLE DEPTH ROTARY HANDLE L=500 MM T1-T2-T3

## Categories

Products » Low Voltage Products and Systems » Circuit Breakers » Moulded Case Circuit Breakers » Accessories for Tmax T

## Ordering

EAN:	8015644518073
Minimum Order Quantity:	1 piece
Customs Tariff Number:	85389099

## Dimensions

Product Net Weight:	0.1 kg
---------------------	--------

## Container Information

Package Level 1 Units:	1 piece
Package Level 1 Width:	35 mm
Package Level 1 Height:	35 mm
Package Level 1 Length:	495 mm
Package Level 1 Gross Weight:	0.19 kg
Package Level 1 EAN:	8015644518073

## Environmental

RoHS Status:	Planned to follow EU Directive 2002/95/EC August 18, 2005 and amendment after 2006-07-01
--------------	--

## Additional Information

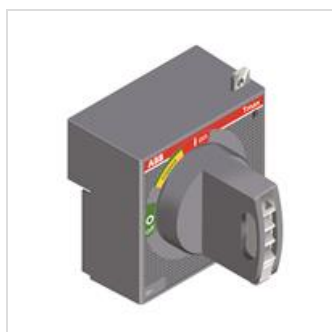
Device:	T1-T2-T3
Product Main Type:	Accessories for Tmax T
Product Name:	Accessory for Circuit Breakers
Product Type:	ACC
Standards:	IEC
Suitable For:	T1 T2 T3
Suitable for Product Class:	SACE Tmax T

## Certificates and Declarations (Document Number)

Data Sheet, Technical Information:	1SDC210015D0201
Declaration of Conformity - CE:	1SDL000165R0001
RoHS Information:	1SDL000200R0001

## Classifications

Object Classification Code:	Q
UNSPSC:	39120000





Below is a list of articles with direct links to our shop Electric Automation Network where you can see:

- Quote per purchase volume in real time.
- Online documentation and datasheets of all products.
- Estimated delivery time enquiry in real time.
- Logistics systems for the shipment of materials almost anywhere in the world.
- Purchasing management, order record and tracking of shipments.

To access the product, [click on the green button.](#)

<b>Product</b>	<b>Code</b>	<b>Reference</b>	<b>Product link</b>
RHE_S T1-T2-T3 500MM ROD R.D.ADJ.ROT.HAN	1SDA051386R1	T1-T2-T3	<a href="#">Buy on EAN</a>