

**⚠ Safety Precautions**

- Important Notes on exporting this product or equipment containing this product;  
If the end-user or application of this product is related to military affairs or weapons, its export may be controlled by "Foreign Exchange and Foreign Trade Control Law" of Japan where export license will be required before product can be exported from Japan.
- This product is designed and manufactured for use in General Purpose Industrial Equipment and it is not intended to be used in equipment or system that may cause personal injury or death.
- All servicing such as installation, wiring, operation, maintenance and etc., should be performed by qualified personnel only.
- Tighten mounting screws with an adequate torque by taking into consideration strength of the screws and the characteristics of material to which the product will be mounted. Over tightening can damage the screw and/or material; under tightening can result in loosening.  
\*Example: apply 2.7 N·m – 3.3 N·m torque when tightening steel screw (M5) to steel surface.
- Install safety equipment to prevent serious accidents or loss that is expected in case of failure of this product.
- Consult us before using this product under such special conditions and environments as nuclear energy control, aerospace, transportation, medical equipment, various safety equipments or equipments which require a lesser air contamination.
- We have been making the best effort to ensure the highest quality of our products, however, some applications with exceptionally large external noise disturbance and static electricity, or failure in input power, wiring and components may result in unexpected action. It is highly recommended that you make a fail-safe design and secure the safety in the operative range.
- If the motor shaft is not electrically grounded, it may cause an electrolytic corrosion to the bearing, depending on the condition of the machine and its mounting environment, and may result in the bearing noise. Checking and verification by customer is required.
- Failure of this product depending on its content may generate smoke of about one cigarette. Take this into consideration when the application of the machine is clean room related.
- Please be careful when using the product in an environment with high concentrations of sulfur or sulfuric gases, as sulfuration can lead to disconnection from the chip resistor or a poor contact connection.
- Do not input a supply voltage which significantly exceeds the rated range to the power supply of this product. Failure to heed this caution may lead to damage of the internal parts, causing smoke and/or fire and other troubles.
- The user is responsible for matching between machine and components in terms of configuration, dimensions, life expectancy, characteristics, when installing the machine or changing specification of the machine. The user is also responsible for complying with applicable laws and regulations.
- Manufacturer's warranty will be invalid if the product has been used outside its stated specifications.
- Component parts are subject to minor change to improve performance.
- Read and observe the instruction manual to ensure correct use of the product.

**Repair** Consult to the dealer from whom you have purchased this product for details of repair work.  
When the product is incorporated to the machine you have purchased, consult to the machine manufacturer or its dealer.

**URL** Electric data of this product (Instruction Manual, CAD data) can be download from the following web site;  
<http://industrial.panasonic.com/ww/products/motors-compressors/fa-motors>

Contact to :



Panasonic Corporation,  
Automotive & Industrial Systems Company,  
Smart Factory Solutions Business Division,  
Motor Business Unit

1-1 Morofuku 7-chome, Daito, Osaka 574-0044, Japan  
Tel : +81-72-871-1212  
Fax: +81-72-870-3151

The contents of this catalog apply to the products as of January 2016.

• This product is for industrial equipment. Don't use this product at general household.  
• Printed colors may be slightly different from the actual products.  
• Specifications and design of the products are subject to change without notice for the product improvement.

AC Servo Motor & Driver  
**MINAS A6**

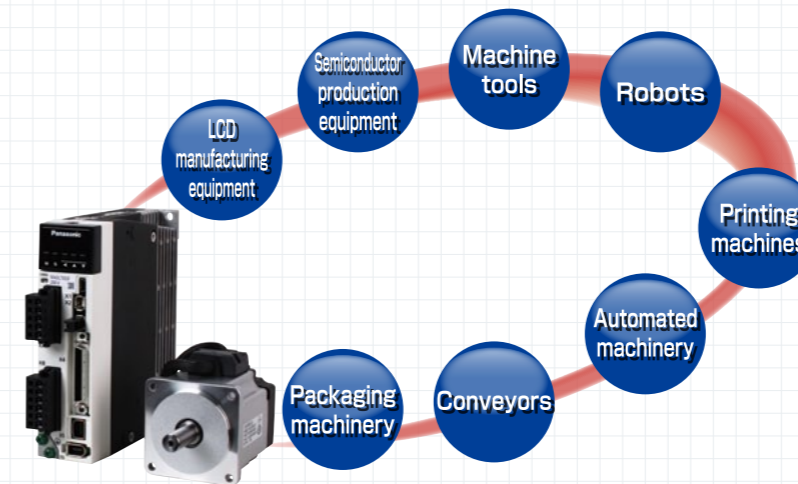




# MINAS A6

More compact, more faster and  
more easy-to-use Servomotors  
that meet the demands of the present age.

The MINAS A6 family of advanced AC servomotors is changing the landscape of industrial machinery.



## Robots

A robot is required to operate stably despite arm posture and position, workload and other conditions changing from moment to moment.

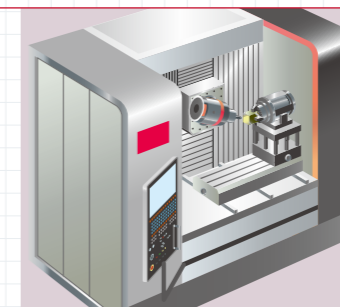
The MINAS A6 family assures stable operation by suppressing effects of load to a minimum using "adaptive load control."



## Processing machinery

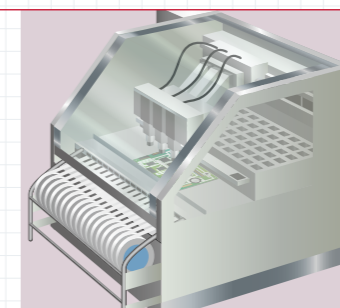
With metal processing machine, it is very difficult to render mirror-like finishing on a polygonal body.

The A6 family realizes "3.2 kHz frequency response" to improve feedback responsiveness, thus enabling mirror surfacing without generating lines or streaks.



## Component mounting machines

The A6 family also shows its versatility when used with a component mounting machine where speed and positional accuracy are demanded. In addition to high frequency response, it can process accidental disturbances with the help of built-in "adaptive load control," thus maintaining high productivity.



## INDEX

### A6 family

A6 Family Line-up	3
Motor Features	7
Driver Features	9
Protective Features	11
Other Driver Functions	12
Setup Support Software	13
Compliance with International Standards	15
A6N series Features	16
Motor Line-up	17
Model Designation	18
Overall Wiring	19
Applicable Peripheral Equipments	21
Table of Part Numbers and Options	23

Driver	Driver Specifications	33
	A6SF series	33
	A6SG series and A6SE series	35
	Wiring Diagram	37
	Wiring to the connector	
	XA, XB, XC, and Terminal Block	37
	Safety Function	41
	Wiring to the Connector X3	41
	Control Circuit Diagram	42
	Wiring to the Connector X4	42
Wiring to the Connector X5	44	
Wiring to the Connector X6	45	
Dimensions of Driver	47	

Motor	Motor Specifications	50
	Special Order Product	115
	Motor Specifications Description	165

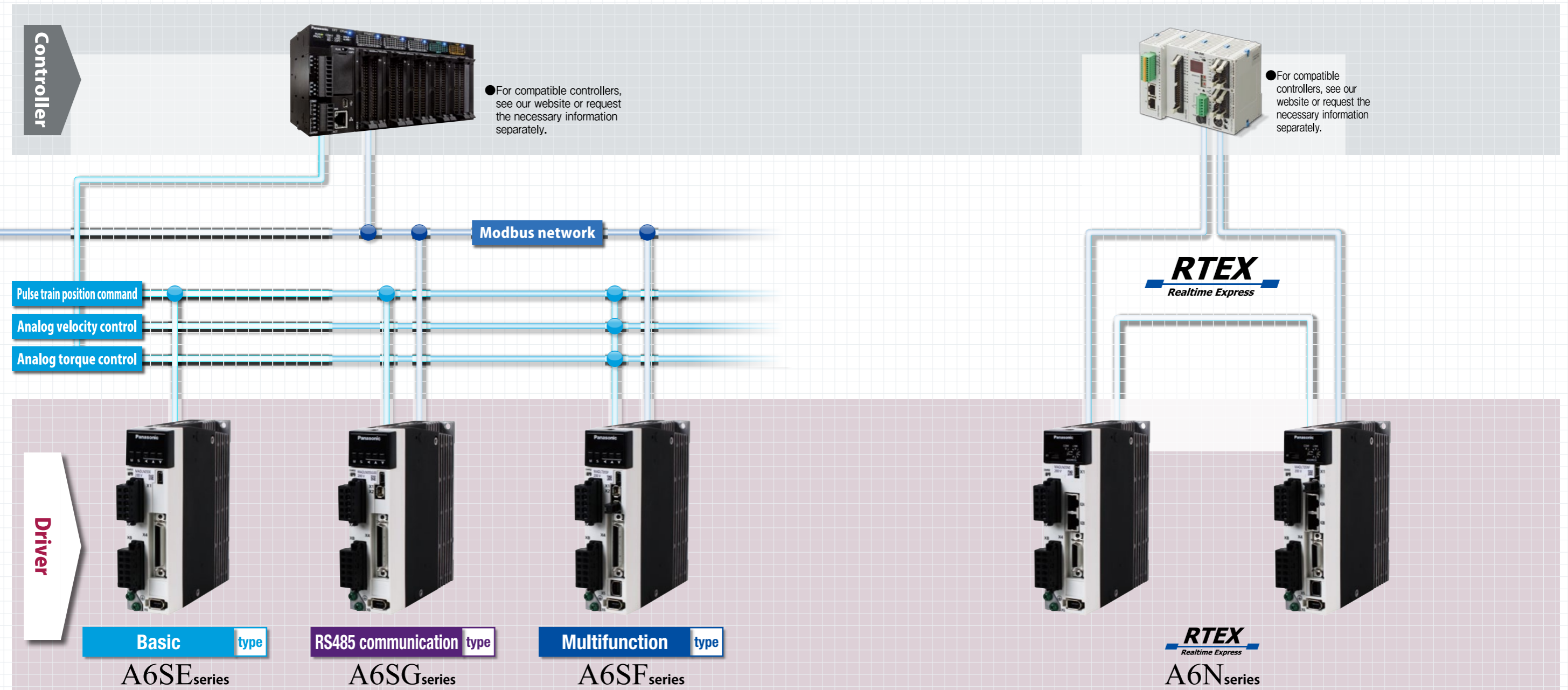
Options	Cable part No. Designation	168
	Specifications of Motor connector	169
	Encoder Cable	171
	Motor Cable	175
	Brake Cable	181
	Interface Cable	182
	Connector Kit	183
	Battery for Absolute Encoder	194
	Mounting Bracket	195
	Reactor	196
	External Regenerative Resistor	197
	Surge Absorber for Motor Brake	199
	List of Peripheral Equipment Manufacturers	200

E series	201
----------	-----

Information	232
Index	272
Sales Office of Overseas	284

# Servomotors that flexibly and effectively fit into

# various system configurations



A6 Family  
E Series  
Information

Slim design and position control type

**Eseries**

- Ultra-small design and pulse train command type only. DIN-rail mountable (using mounting Kit)
- Rated output: 50 W to 400 W

DC 24 V type

**A5Mseries** Special order product

- DC24 V power supply support, ultra-compact motor and driver.
- Rated output: 10 W, 20 W, 30 W

# It is MINAS A6 Family lineup that meets the

# manufacturing industry needs.



## Motor line-up

Type	MSMF Low inertia		MQMF Middle inertia/ Flat type		MDMF Middle inertia		MGMF Middle inertia/ Low speed high torque		MHMF High inertia	
Rated output		Rated rotational speed Maximum (rotational speed)		Rated rotational speed Maximum (rotational speed)		Rated rotational speed Maximum (rotational speed)		Rated rotational speed Maximum (rotational speed)		Rated rotational speed Maximum (rotational speed)
50 W	38 sq.								40 sq.	
100 W	38 sq.								40 sq.	
200 W	60 sq.								60 sq.	3000 r/min (6500 r/min)
400 W	60 sq.	3000 r/min (6000 r/min)			80 sq.				60 sq.	
750 W	80 sq.								80 sq.	
1.0 kW	80 sq.		100 sq.						80 sq.	3000 r/min (6000 r/min)
1.5 kW			100 sq.							
2.0 kW			100 sq.							
3.0 kW			120 sq.							
4.0 kW			130 sq.							
5.0 kW			130 sq.							
7.5 kW	Table description									
11 kW	38 sq.	Flange sq. dimension (unit:mm)								
15 kW		100 V specifications and 200 V specifications								
22 kW		200 V specifications								
		200 V specifications and 400 V specifications (400 V: Scheduled to release in 2016)								
		200 V specifications and 400 V specifications (Scheduled to release in 2016)								

## Driver line-up

	Basic type	RS485 communication type	Multifunction type
	A6SE*1	A6SG	A6SF
<b>Control method</b>			
Position control	●	●	●
Velocity control			●
Torque control			●
Full-closed control			●
Linear motor/DD motor control			● <small>Linear motor/DD motor control: Scheduled to release in 2016</small>
<b>Connection terminal</b>			
RS485		●	●
External scale			●
Safety connector			●
<b>Network</b>			
Modbus		●	●
<b>RTEX</b> Realtime Express	The lineup includes models compatible with Realtime Express high-speed communications.		
<b>EtherCAT</b>	EtherCAT-compatible model (Scheduled to release in 2016)		
	<b>[Main features]</b> ●Communication speed 100Mbps ●Minimum communication cycles 0.0625 ms ●All modes support of position velocity torque control. ●Both of high performance and low cost.		

\*1 A6SE series driver (Position control only) does not correspond to the absolute system of using the serial communication with the host device. It supports incremental system only.

# Small, light, powerful and speedy <sup>※1</sup>

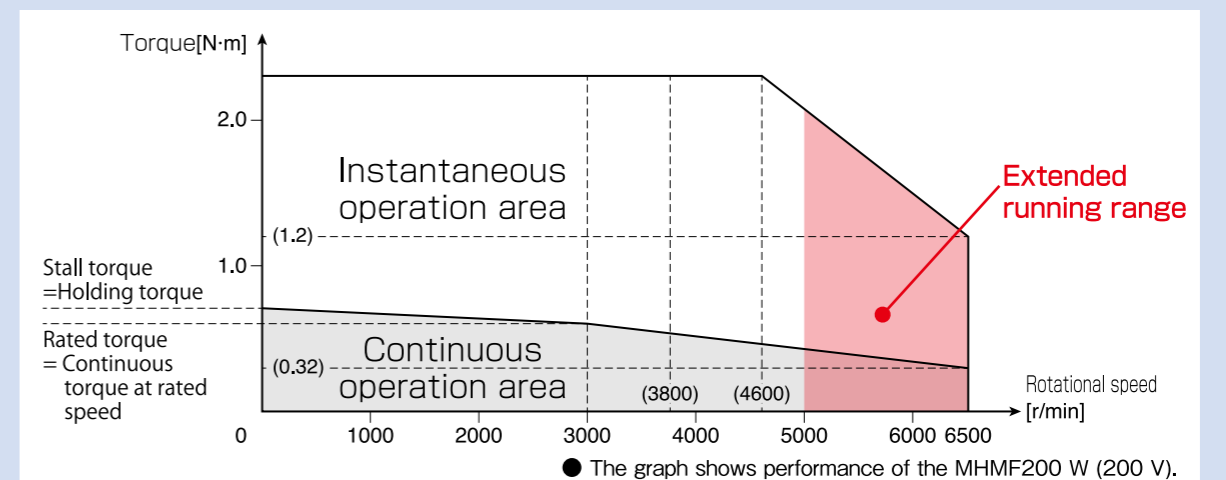
# MINAS A6

Highest speed in the industry and high torque in a compact lightweight body <sup>※1</sup>

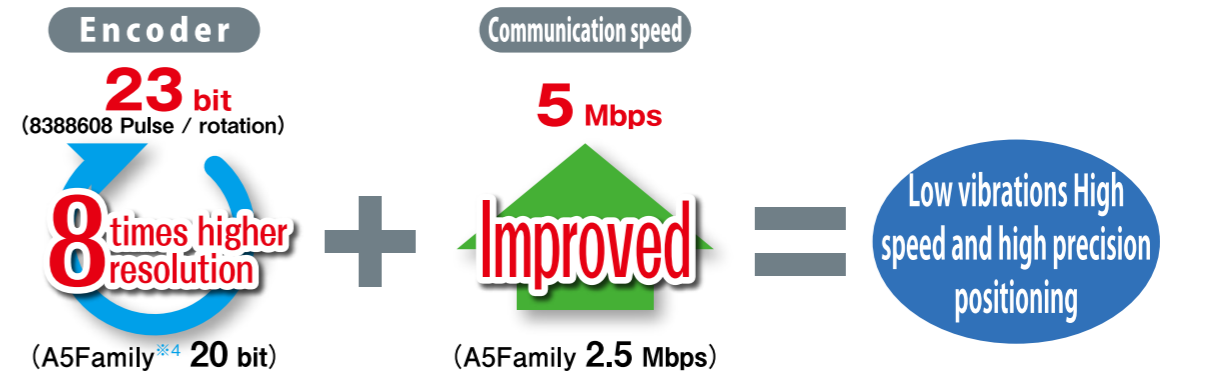
Max. speed	Max. torque	Overall length	Weight
<b>6500 r/min</b> <sup>※2</sup>	<b>Approx. 350%</b> <sup>※2</sup>	<b>67.5 mm</b> <sup>※2</sup>	<b>750 g</b> <sup>※2</sup>
<b>Fast</b>	<b>High</b>	<b>Short</b>	<b>Light</b>
(A5Family <sup>※3</sup> 5000 r/min)	(A5Family <sup>※3</sup> Approx 300%)	(A5Family <sup>※3</sup> 99.0 mm)	(A5Family <sup>※3</sup> 960 g)

<sup>※1</sup> Middle and high inertia types only <sup>※2</sup> MHMF200 W <sup>※3</sup> MSMD200 W

Significantly extended running range by the highest speed and high torque in the industry's highest class.



Enhanced position detecting resolution enables smoother and more precise positioning.



A6 Family

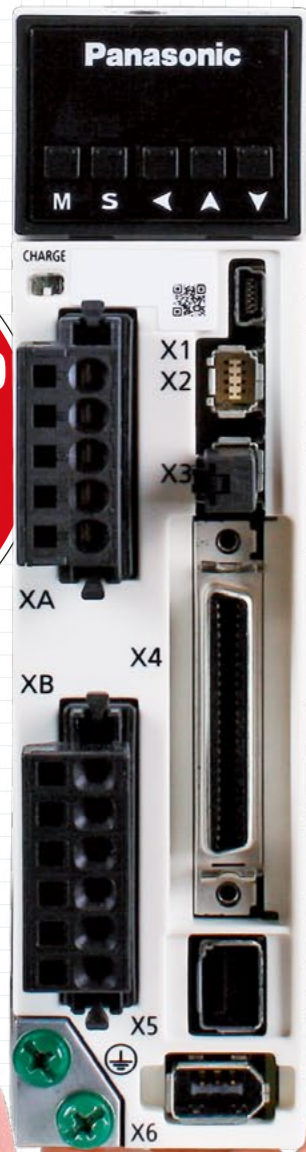
E Series

Information

# Swifter, smarter and easier to use



Powered Up compact driver



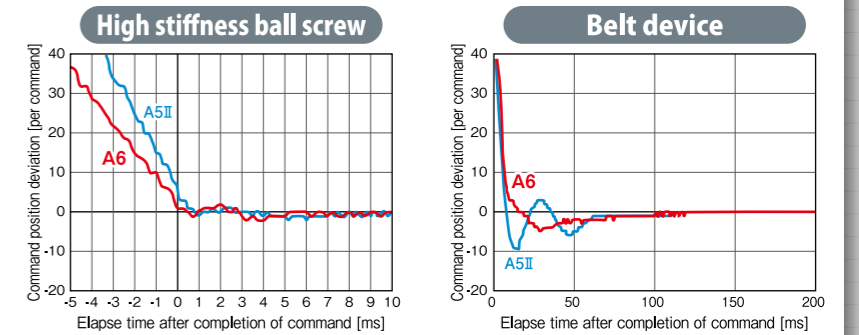
- New two-degree-of-freedom control system
- Built-in filters and adjusting functions
- Modbus Support (A6SF, A6SG Series)
- Frequency response 3.2 kHz
- PANATERM Support

Full-scale

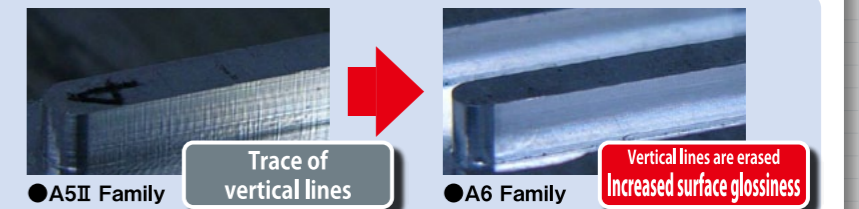
## High-speed response, high-precision positioning for quick and accurate movement

Our proprietary algorithm in addition to upgraded CPU and other hardware realized further high-speed response. Furthermore, high-precision positioning is achieved by automatically eliminating micro vibrations and machine oscillation caused by the resonance.

### Comparison of position setting waveforms

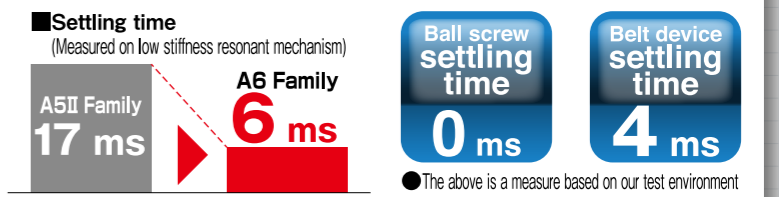


Example of operation with processing machine  
A mirror finish is obtained even if a process that tends to cause streaking.



## Easy and quick setting, shortening conventional settling time by approx. 64%\*1

Newly developed fit gain function substantially reduces adjustment time. Adaptive notch filter and various gains can be automatically set and adjusted.



### Adjustment completed in only 3 processes



### Fit gain adjustment window



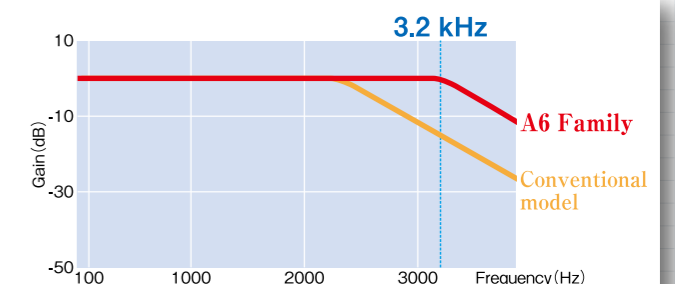
### Automatically proposes various settings

Select	Recommendation	Rigidity	Command response [ms]	Stabilization time [ms]
<input checked="" type="checkbox"/>	Minimum stabiliz.	22	0.3	0.0
<input checked="" type="checkbox"/>	Designate oversh.	22	0.4	1.0
<input checked="" type="checkbox"/>	Designate stabiliz.	18	1.5	9.5
<input checked="" type="checkbox"/>	High rigidity setting	22	0.4	1.0
<input type="checkbox"/>	Manual setting			

## Realized 3.2 kHz frequency response to improve productivity

Realizes 3.2 kHz frequency response. At 139% that of conventional models \*1, it enables high-speed operation and improves productivity.

\*1 Comparison with conventional product A5II family



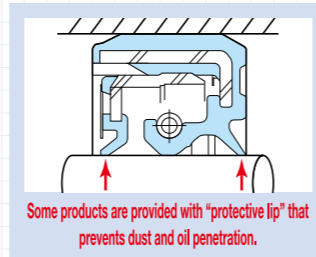
# Reduced maintenance work and trouble.

## Lineup of motors protected by high dust-proof, high heat-resistant oil seal (With protective lip)

Motors protected by a highly dust-proof, oil-tight oil seal (with protection lip) have been added to the lineup of motor products equipped with oil seals of conventional specifications. The oil seals of this type of motor are made of a material of higher heat resistance.

You can select appropriate motor type according to your application environment such as dusty, powdery or gear connection necessity.

- Oil-seals (with protective lip) are not available for MSMF motors with flange size 80 mm or smaller.
- MQMF and MHMF motors with flange size of 80 mm or smaller provided with oils seals (with protective lip) are not mounting-compatible with A5 Family models.



### Applicable oil seals

Flange size	Motor type	With oil seal		With oil seal(with protective lip)	
		With oil seal	Made of nitrile rubber (NBR)	With oil seal	Made of fluororubber
80 mm or less	MSMF	○	○	No setting	
	MHMF, MQMF	○	○	○	Not mounting-compatible with A5 family products
100 mm or more	All Type	○	○	○	Mounting-compatible with A5 family products

## IP67 enclosure rating (Motors with flange size of 80 mm or smaller are order-made products)

Direct-mount connectors are used for the motor power supply and encoder input and output to improve sealing performance of the motor to IP67.

- IP67-compatible motors with flange size of 80 mm or smaller are order-made products.
- For environmental conditions of applications, refer to P. 165.



### What is IP?

An international standard that specifies the degree of dustproof and waterproof performance. (IP: Ingress Protection)

### IP-67

Protection level against dust		Protection level against water penetration	
1	Protected against solid objects over 50 mm in diameter.	1	Protected against vertically falling drops of water or condensation.
2	Protected against solid objects over 12.5 mm in diameter.	2	Protected against falling drops of water, if the case is inclined no more than 15° off vertical.
3	Protected against solid objects over 2.5 mm in diameter.	3	Protected against sprays of water from any direction, even if the case is inclined no more than 60° off vertical.
4	Protected against solid objects over 1.0 mm in diameter.	4	Protected against water splashed from any direction.
5	Dust-proof type: Protected against dust penetration. Continues normal operation even if penetrated by a small quantity of dust.	5	Protected against direct low pressure water jets from any direction. Limited penetration permitted.
6	Dust-tight type: Totally protected against dust penetration.	6	Protected against direct high pressure water jets from any direction. Limited penetration permitted.
		7	Protected against water penetration when immersed in water for the specified period of time and under the specified pressure.
		8	Protected against water penetration when immersed in water for long, continuous periods of time.

## Dynamic braking

With parameter settings, you can select dynamic braking, which shorts servomotor windings U, V and W at Servo-OFF, during positive direction/ negative direction, and during power shutdown and tripping of the circuit breaker for over travel inhibition.

- The desired action sequence can be set up to accommodate your machine requirements.

## Inrush current preventive function

This driver is equipped with a rush current preventive resistor to prevent the circuit breaker from shutting off the power supply as a result of inrush current occurring at power-on.

## Parameter initialization

Using the front panel or by connecting a PC, you can restore the parameters to the factory settings.

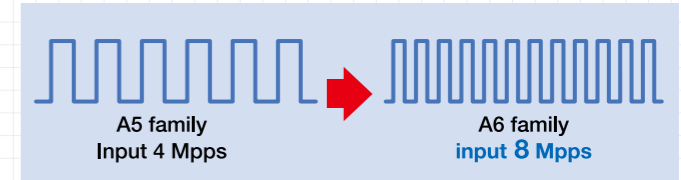
# Other driver functions



## Supports semi-/full-closed loop (8 Mpps input pulse, 4 Mpps output pulse) control.

Supports full-closed loop control. The A6SF series accommodates a command input of 8 Mpps and feedback output of 4 Mpps, enabling high-resolution, high-speed operation. Supports the industry's leading positioning resolution commands (pulse-train commands).

- The A6SE and A6SG series do not support full-closed loop control.
- Applicable scale: AB-phase feedback scale (general purpose product) and serial feedback scale (dedicated to Panasonic format product)

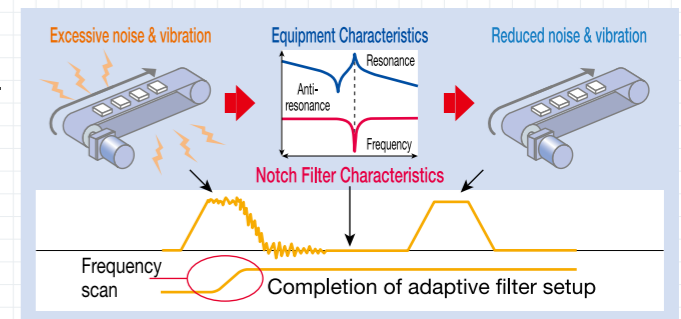


## Manual/Auto notch filter

Equipped with auto-setting notch filters for greater convenience. Now there is no need to measure troublesome vibration frequencies. Our notch filters automatically detect vibration and provide simple auto-setting.

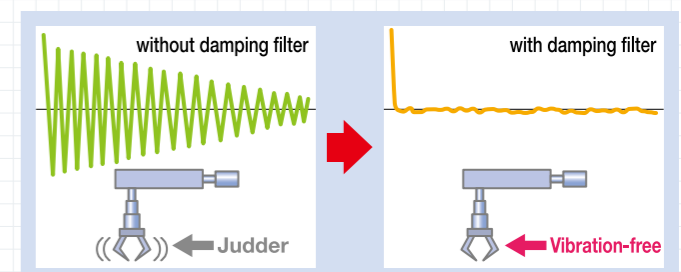
These notch filters greatly reduce noise and vibration caused by equipment resonance and respond quickly.

The A6 family is equipped with 5 notch filters with frequencies settable from 50 Hz to 5000 Hz. Depth can be individually adjusted within this range. (Two of the filters share automatic settings.)



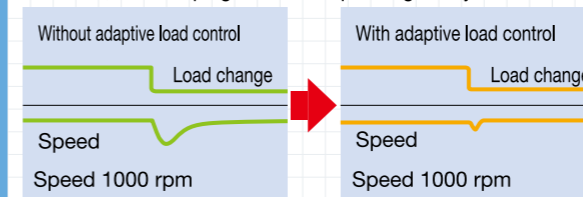
## Manual/Auto damping filter

Equipped with a damping filter that is automatically set through the setup support software. This filter removes the natural vibration frequency component from the command input, greatly reducing vibration of the axis when stopping. The number of filters for simultaneous use has been increased to three from the conventional two filters. (Two from one in the two-degree-of-freedom-control mode.) The adaptive frequency has also been significantly expanded from 0.5 Hz to 300 Hz.



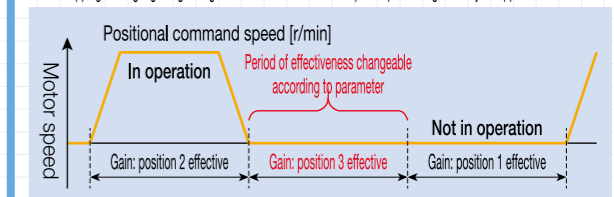
## Adaptive load control

Adaptive load control automatically sets the best suitable gain table in response to fluctuations in inertia caused by changes in workload, thus keeping machines operating stably at all times.



## 3-step gain

A 3-step gain switch is available in addition to the normal gain switch. This chooses appropriate gain tunings at both stopping and running. The 3-step gain switch gives you choices of 3 different tunings for normal running, stopping for faster positioning and at stopping. The right gaining tunings achieve lower vibration and quicker positioning time of your application.



## Regenerative energy discharge

A regenerative resistor is used to discharge regenerative energy, which is the energy generated when stopping a load with a large moment of inertia or when using this unit in vertical operation. This energy is returned to the driver from the motor.

- Frame A, and frame B model drivers do not contain a regenerative resistor. Optional regenerative resistors are recommended.
- Frame C to frame F model drivers contain one regenerative resistor; however, adding an optional regenerative resistor provides additional regeneration capability.

## Friction torque compensation

This function reduces the effect of machine related friction and improves responsiveness. Three kinds of friction compensation can be set: unbalanced load compensation, which sets an offset torque that is constantly applied; kinetic friction compensation, which changes direction in response to the direction of movement; and viscous friction compensation, which changes according to the speed command.

## Inertia ratio conversion

You can adjust right inertia ratio by Inertia ratio conversion input (J-SEL) of interface. When you have significant load inertia changes, it can adjust unbalanced speed and position gain turning combination. It ends up quicker response of your system.

## Input/output signal assignment

You can use the parameters to arbitrarily allocate the universal 10 inputs and 6 outputs. (Inputs can be selected as either A contacts or B contacts). The Panaterm setup software provides an exclusive screen for a more simplified setup.

## Torque limiter switching

These can be used for applications such as simplified pressure, tension control, and sensor-less homing.

# Multifunctional software for quick adjustment support

## PNATERM set-up support software

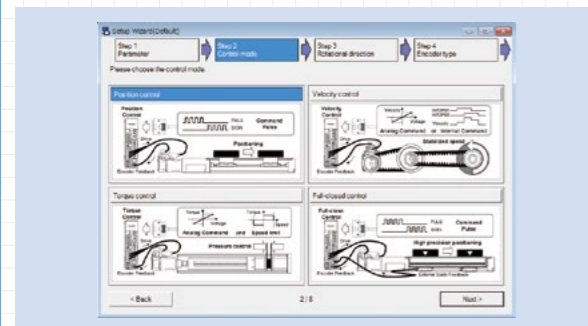
The PANATERM set-up support software, with many added features. The PANATERM assists users in setting parameters, monitoring control conditions, setup support, and analyzing mechanical operation data on the PC screen, when installed in a commercially available personal computer, and connected to the MINAS A6 Family through the USB interface. Choose either English, Japanese, Chinese-language display.



Please download from our web site and use after install to the PC.  
<http://industrial.panasonic.com/ww/products/motors-compressors/fa-motors>

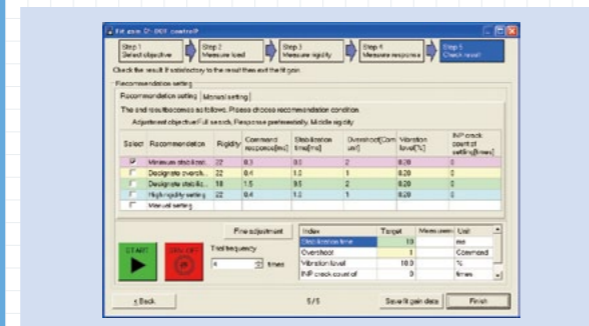
### Setup wizard

This wizard supports fundamental settings in each control mode step by step, including reading of default setting. In On-line condition, Input data related to each step can be monitored in real time.



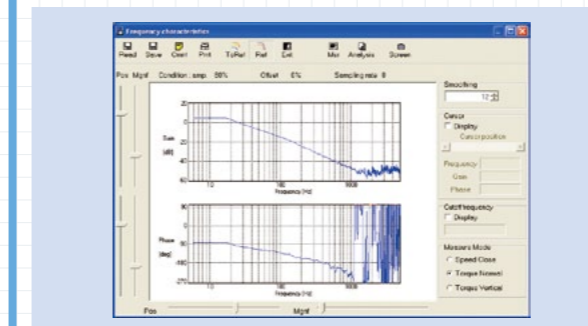
### The fit gain function for setting Two-degree-of-freedom control.

- 1) Select the adjustment method
- 2) Load measurement
- 3) Confirming results Adjust gain to meet your needs



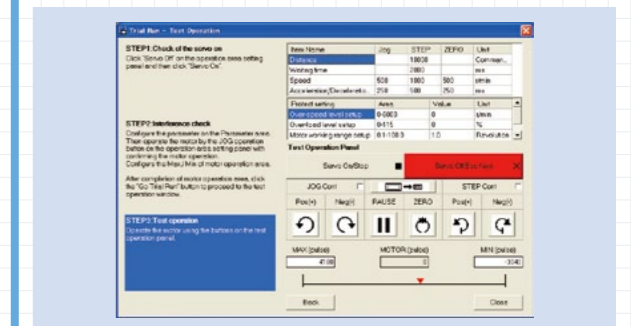
### Frequency characteristics measurement function

Can check frequency response characteristics of the mechanism and motor. Since resonance frequency of the mechanism is measurable, it is effective for start-up time reduction.



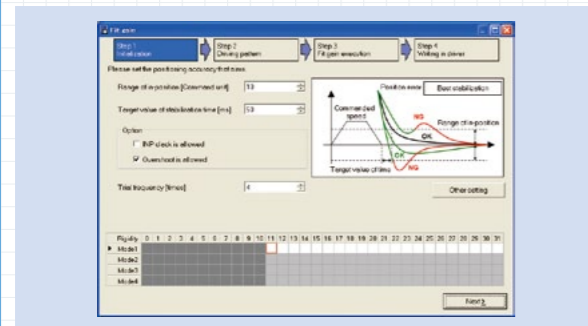
### Trial run

This function supports positioning with the Z-phase search and software limit.



### Fit gain

This function automatically searches the best suitable stiffness setting and mode and adjusts the gain once the target in-position range and setting time are set.

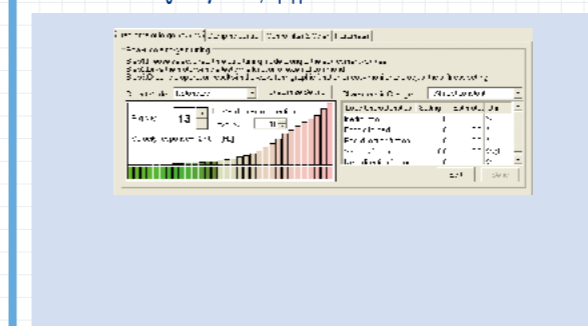


### Service Life Prediction

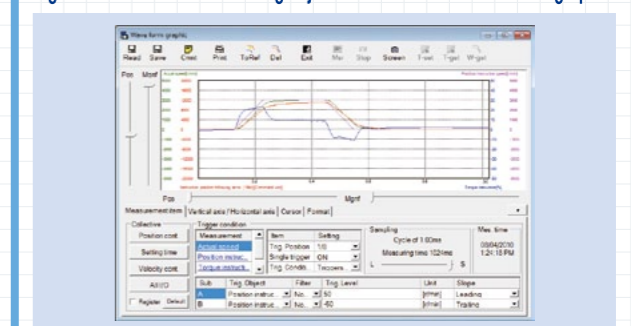
The service life prediction function considers the internal temperature for main components such as the fan and condenser. If the rated value is exceeded, an alarm is displayed. This approach prevents unexpected suspension of operation and allows for planning of systemized maintenance. Note: The life span prediction value should be considered as a guide only.

Name	Value	Unit	Status
Power supply on integrated time	3.0	h	
Driver temperature	34	degrees	
Number of times of inoperative resistance	0	times	
Number of times of CB relay changing	0	times	
Fan operation time	0.0	h	
Fan life time integrated value	0.0	%	
Condenser life time integrated value	0.0	%	
Maker uses	0	-	

### Added New screen for gain adjustment, equipped with stiffness oscillation auto-reduction function



### Significant increase of measuring objects Multi-functional waveform graphic

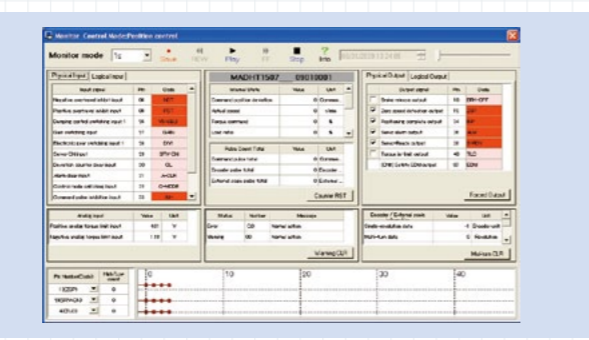


### Encoder temperature monitor

The Encoder Temperature Monitor is a new function capable of real-time measurement of the interior temperature of the encoder, something that has been difficult to achieve in the past. It is valuable for monitoring the motor and can be used as a diagnostic in the event of a malfunction.

### Other New Function

The software offers a wide range of convenient features including motor and driver data such as load factor, voltage, and driver temperature. Moreover, the logging function records the interface history. As well, a non-rotating contributing factor display function.



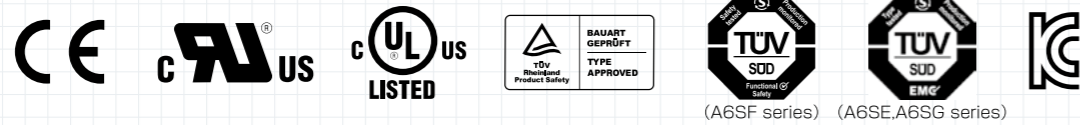
### Hardware configuration

Personal computer	CPU	800 MHz or more
	Memory	System memory 512MB or more Graphics memory 32MB or more
	Hard disk capacity	Vacancy of 512MB or more recommended
	OS	Windows® Vista SP1(32 bit) , Windows® 7(32 bit,64 bit) , Windows® 8(32 bit , 64 bit) Japanese, English, Chinese (Simplified) ver ,
	Serial communication function	USB port, COM port (Communication speeds: 24000115200 bps) * A COM port is required to use RS232 communications. A 9600 bps or higher baud rate is recommended.
Display	Resolution	1024 x 768 pix or more
	Number of colors	24bit colors (TrueColor) or more

<CAUTION> This software is applicable only to A5 family,A6 family. To apply this software to A, AIII, E or A4 series, consult our distributors.



# Compliance with **MINAS A6** international standards



	Driver	Motor
EU Directives	<b>EMC Directives</b> EN55011 EN61000-6-2 EN61000-6-4 EN61800-3	-
	<b>Low-Voltage Directives</b> EN61800-5-1 EN50178	EN60034-1 EN60034-5
	<b>Machinery Directives</b> Functional safety *1 ISO13849-1(PL e , Cat.3) EN61508(SIL3) EN62061(SILCL 3) EN61800-5-2(SIL3, STO) IEC61326-3-1 IEC60240-1	-
<b>UL Standards</b>	UL508C (E164620)	UL1004-1 , UL 1004-6 (E327868)
<b>CSA Standards</b>	C22.2 No.14	C22.2 No.100 -04
<b>Radio Waves Act (South Korea) (KC)*2</b>	KN11 KN61000-4-2,3,4,5,6,8,11	-

IEC : International Electrotechnical Commission Pursuant to the directive 2004/108/EC, article 9(2)  
 EN : Europäischen Normen Panasonic Testing Centre  
 EMC : Electromagnetic Compatibility Panasonic Service Europe, a division of  
 UL : Underwriters Laboratories Panasonic Marketing Europe GmbH  
 CSA : Canadian Standards Association Winsbergring 15, 22525 Hamburg, F.R. Germany

- When export this product, follow statutory provisions of the destination country.
- \*1 A6SE and A6SG series doesn't correspond to the functional safety standard.
- \*2 Information related to the Korea Radio Law  
 This servo driver is a Class A commercial broadcasting radio wave generator not designed for home use.  
 The user and dealer should be aware of this fact.

**A 급 기기 (업무용 방송통신기자재)**  
 이 기기는 업무용(A 급) 전자파적합기기로서 판매자 또는 사용자는 이 점을 주의하시기 바라며, 가정외의 지역에서 사용하는 것을 목적으로 합니다.

( 대상기종 : Servo Driver )

This products is not an object of china compulsory certification (CCC).

### Low noise, compliant with EMC directives

Radiated noise is minimized to meet EMC directives and to support international standards.

### Compliance with EU safety standards.

Features non-software-based independent redundant circuitry for motor power isolation. Independent redundant circuitry for motor power isolation. This obviates the need for magnetic contactors to isolate the required motor in order to accommodate low-voltage machinery commands.(The final safety compliance must be applied as machine.)

### SEMI-F47

Includes a function in compliance with the SEMI F47 standard for voltage sag immunity under no load or light load. Ideal for the semiconductor and LCD industries.

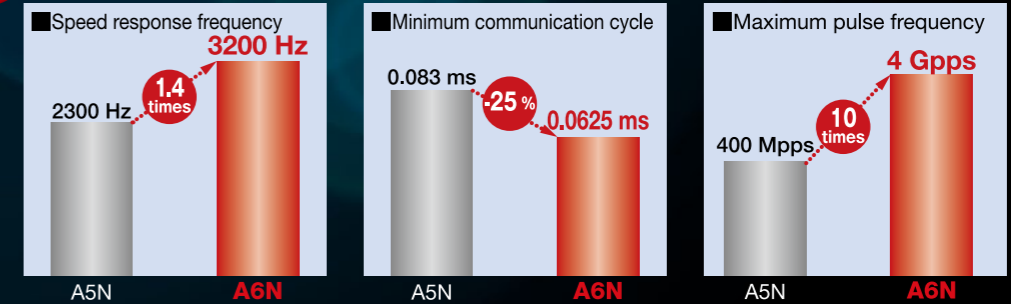
- Excluding the single-phase 100-V type.
- Please verify the actual compliance with your machine checking the F47 standard for voltage sag immunity.

# Ultra-high-speed network driver **Realtime Express (RTEX)**



Greatly improved basic performance

## Pursuit of ultimate real-time processing



• Max. 4 Mpps, when using AB-phase external scale

### Multifunctional capabilities to match various needs

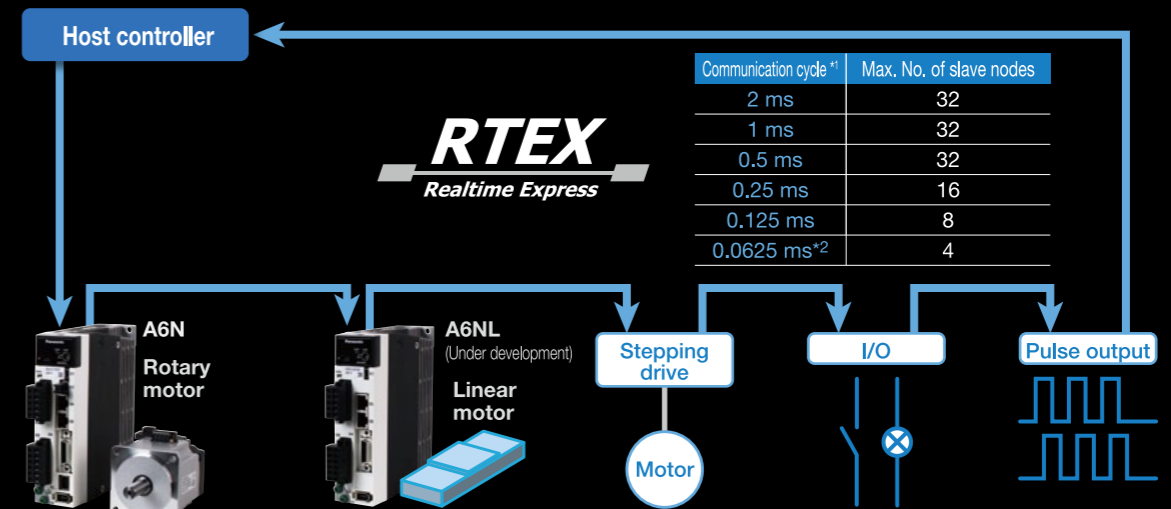
- Ⓞ Supports all positions, speeds and torque modes (w/ built-in positioning function).
- Ⓞ High-precision position latch and comparison
- Ⓞ Communication cycle can be set to any time between 2 ms and 62.5 μs.

### Simple network

- Ⓞ Satisfies both high performance and low cost requirements.
- Ⓞ Synchronization established by communication IC
- Ⓞ Easier development of compatible equipment

### System configuration example

- Commercially available Ethernet cable
- Ring topology of high transmission efficiency
- The proprietary error correction function guarantees 2.5 kV or higher noise resistance.
- Materials except for servomotors are provided by partner companies.\*1
- Up to 32 nodes: Max. 100 m cable length between nodes



\* Realtime Express and RTEX are registered trademarks of Panasonic Corporation. Realtime Express is a high-speed synchronous motion network we developed.\*1 Communication cycle and connections to slave devices other than servomotors should be made according to controller specifications.\*2 Commands are updated every 0.125 ms when the communication cycle is 0.0625 ms.

Motor Line-up

Motor Line-up

Motor	Rated output (kW)	Rated rotational speed (Max. speed) (r/min)	Rotary encoder 23-bit absolute	Enclosure <sup>(*)</sup>	Motor lead-out configuration	Features	Applications	
Low Inertia <b>MSMF</b>	0.05 0.1 0.2 0.4 0.75 1.0	3000 (6000)	○	IP65	Leadwire	<ul style="list-style-type: none"> <li>Small capacity</li> <li>Suitable for high speed application</li> <li>Suitable for all applications</li> </ul>	<ul style="list-style-type: none"> <li>Bonder</li> <li>Semiconductor production equipment</li> <li>Packing machines etc</li> </ul>	
	0.05 0.1 0.2 0.4 0.75 1.0	3000 (6000)	○	IP67	Connector			
	1.0 1.5 2.0 3.0 4.0 5.0	3000 (5000) 3000 (4500)	○	IP67	Connector			<ul style="list-style-type: none"> <li>Middle capacity</li> <li>Suitable for the machines directly coupled with ball screw and high stiffness and high repetitive application</li> </ul>
Middle Inertia <b>MQMF (Flat type)</b>	0.1 0.2 0.4	3000 (6500)	○	IP65	Leadwire	<ul style="list-style-type: none"> <li>Small capacity</li> <li>Flat type and suitable for low stiffness machines with belt driven</li> </ul>	<ul style="list-style-type: none"> <li>SMT machines</li> <li>Inserter machines</li> <li>Belt drive machines</li> <li>unloading robot</li> </ul>	
	0.1 0.2 0.4	3000 (6500)	○	IP67	Connector			
	<b>MDMF</b>	1.0 1.5 2.0 3.0 4.0 5.0	2000 (3000)	○	IP67			Connector
<b>MGME (Low speed/High torque type)</b>		0.85 1.3 1.8 2.9 4.4	1500 (3000)	○	IP67	Connector	<ul style="list-style-type: none"> <li>Middle capacity</li> <li>Suitable for low speed and high torque application</li> </ul>	<ul style="list-style-type: none"> <li>Conveyors</li> <li>Robots</li> <li>Textile machines etc</li> </ul>
		130 mm sq. or more						
High Inertia <b>MHMF</b>	0.05 0.1 0.2 0.4 0.75 1.0	3000 (6500) 3000 (6000)	○	IP65	Leadwire	<ul style="list-style-type: none"> <li>Small capacity</li> <li>Suitable for low stiffness machines with belt driven</li> </ul>	<ul style="list-style-type: none"> <li>Conveyors</li> <li>Robots etc</li> </ul>	
	0.05 0.1 0.2 0.4 0.75 1.0	3000 (6500) 3000 (6000)	○	IP67	Connector			
	1.0 1.5 2.0 3.0 4.0 5.0	2000 (3000)	○	IP67	Connector			<ul style="list-style-type: none"> <li>Middle capacity</li> <li>Suitable for low stiffness machines with belt driven, and large load moment of inertia</li> </ul>

(\*1) Except for output shaft, and connector.

\* For possible combinations of motors and drivers, see P. 23 to P. 32.

• When using a rotary encoder as an absolute system (using multi-turn data), connect a battery to the absolute encoder.  
 • When using a rotary encoder as an incremental system (not using multi-turn data), do not connect a battery for absolute encoder.

Model Designation

\* For combination of elements of model number, refer to Index P.272.

■ Servo Motor

**M S M F 5 A Z L 1 A 1 \* Special specifications**

① ② ③ ④ ⑤ ⑥ ⑦

① Type

Symbol	Type
MSM	Low inertia (50 W to 5.0 kW)
MQM	Middle inertia (100 W to 400 W)
MDM	Middle inertia (1.0 kW to 5.0 kW)
MGM	Middle inertia (0.85 kW to 4.4 kW)
MHM	High inertia (50 W to 5.0 kW)

② Series

Symbol	Series name
F	A6 series

③ Motor rated output

Symbol	Rated output	Symbol	Rated output
5A	50 W	15	1.5 kW
01	100 W	18	1.8 kW
02	200 W	20	2.0 kW
04	400 W	29	2.9 kW
08	750 W	30	3.0 kW
09	0.85 kW, 1000 W (130 mm sq.)	40	4.0 kW
	1000 W (80 mm sq.)	44	4.4 kW
10	1.0 kW	50	5.0 kW
13	1.3 kW		

④ Voltage specifications

Symbol	Specifications
1	100 V
2	200 V
Z	100 V/200 V common (50 W only)

⑥ Design order

Symbol	Specifications
1	Standard

<Note>

When using a rotary encoder as an incremental system (not using multi-turn data), do not connect a battery for absolute encoder.

⑤ Rotary encoder specifications

Symbol	Format	Pulse counts	Resolution	Wires
L	Absolute	23-bit	8388608	7

⑦ Motor specifications: 100 mm sq. or more

Symbol	Shaft		Holding brake		Oil seal		Encoder terminal	
	Round	Key-way, center tap	without	with	with	With protective lip	Connector JN2 (Small size)	Connector JL10 (Large size)*2
C 5	●		●		●		●	●
C 6	●		●		●		●	●
C 7	●		●		●		●	●
C 8	●		●		●		●	●
D 5	●		●		●		●	●
D 6	●		●		●		●	●
D 7	●		●		●		●	●
D 8	●		●		●		●	●
G 5	●	●	●		●		●	●
G 6	●	●	●		●		●	●
G 7	●	●	●		●		●	●
G 8	●	●	●		●		●	●
H 5	●		●		●		●	●
H 6	●		●		●		●	●
H 7	●		●		●		●	●
H 8	●		●		●		●	●

■ Servo Driver

**M A D L N 1 5 S E \* \* \* Special specifications**

① ② ③ ④ ⑤ ⑥ ⑦

① Frame symbol

Symbol	Frame	Symbol	Frame
MAD	A-Frame	MDD	D-Frame
MBD	B-Frame	MED	E-Frame
MCD	C-Frame	MFD	F-Frame

② Series

Symbol	Series name
L	A6 series

③ Safety Function

Symbol	Specifications
N	without the safety function
T	with the safety function

④ Max. current rating

Symbol	Current rating	Symbol	Current rating
0	6 A	5	40 A
1	8 A	8	60 A
2	12 A	A	100 A
3	22 A	B	120 A
4	24 A		

⑤ Supply voltage specifications

Symbol	Specifications
1	Single phase 100 V
3	3-phase 200 V
5	Single/3-phase 200 V

⑥ I/f specifications

Symbol (specification)	Symbol	Specification
S (Analog/Pulse)	E	Basic type (Pulse train only)
	F	Multi function type (Pulse, analog, full-closed)
	G	RS485 communication type (Pulse train only)
N (RTEx)	E	without the safety function
	F	with the safety function
B (EtherCAT)		(Scheduled to release in 2016)

⑦ Motor specifications: 80 mm sq. or less MSMF 50 W to 1000 W

Symbol		Shaft		Holding brake		Oil seal		Motor encoder terminal <sup>1</sup>	
		Round	Key-way, center tap	without	with	without	with	Connector JN	Lead wire
A 1	●		●					●	
A 2	●		●						●
B 1	●			●					●
B 2	●			●					●
C 1	●			●				●	●
C 2	●			●				●	●
D 1	●			●				●	●
D 2	●			●				●	●
S 1	●			●					●
S 2	●			●					●
T 1	●			●					●
T 2	●			●					●
U 1	●			●				●	●
U 2	●			●				●	●
V 1	●			●				●	●
V 2	●			●				●	●

⑦ Motor specifications: 80 mm sq. or less MHMF 50 W to 1000 W MQMF 100 W to 400 W

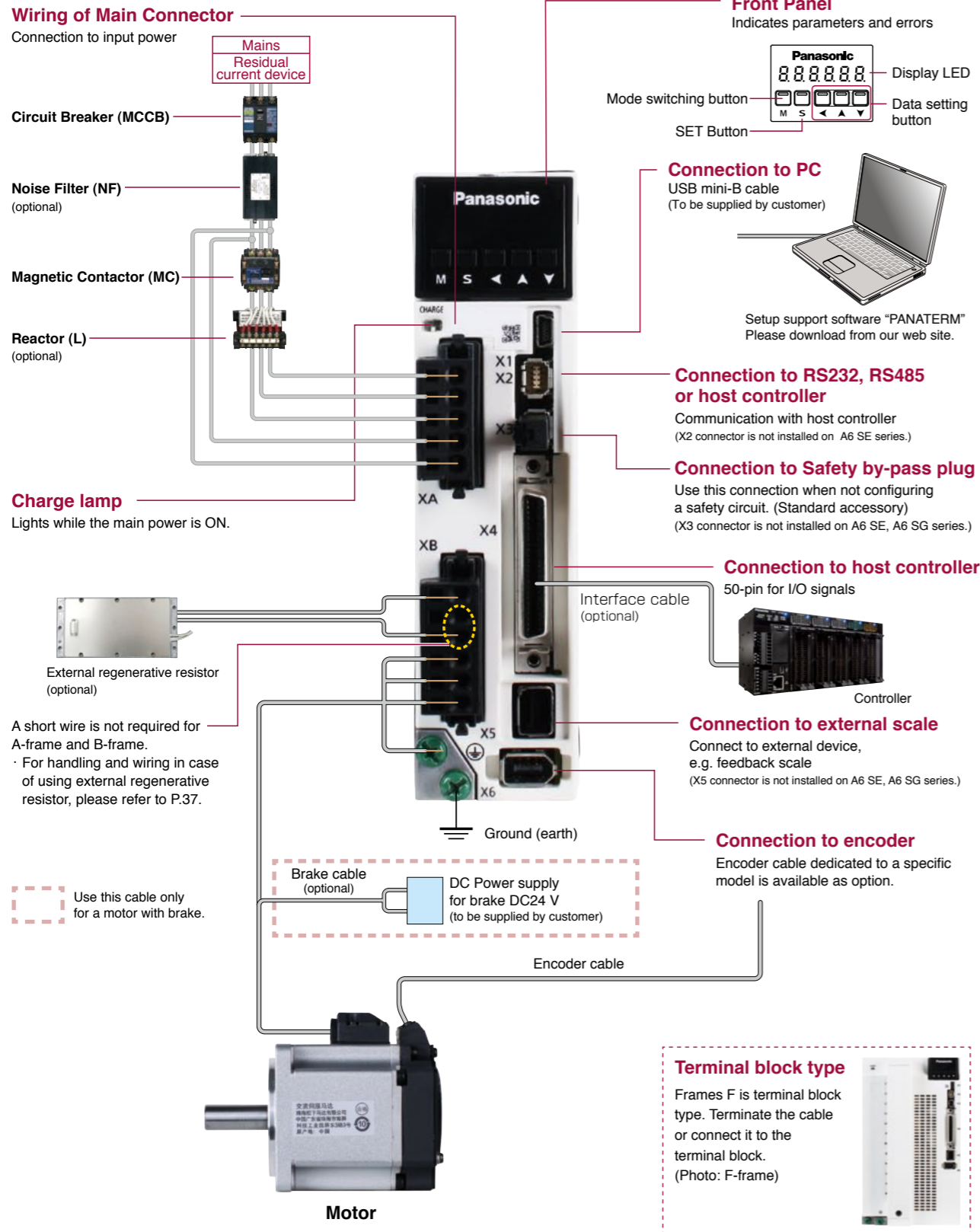
Symbol		Shaft		Holding brake		Oil seal		Motor encoder terminal <sup>1</sup>		
		Round	Key-way, center tap	without	with	without	with	With protective lip	Connector JN	Lead wire
A 1	●			●					●	
A 2	●			●					●	
B 1	●			●					●	
B 2	●			●					●	
C 1	●			●				●	●	
C 2	●			●				●	●	
C 3	●			●				●	●	
C 4	●			●				●	●	
D 1	●			●				●	●	
D 2	●			●				●	●	
D 3	●			●				●	●	
D 4	●			●				●	●	
S 1	●			●					●	
S 2	●			●					●	
T 1	●			●					●	
T 2	●			●					●	
U 1	●			●				●	●	
U 2	●			●				●	●	
U 3	●			●				●	●	
U 4	●			●				●	●	
V 1	●			●				●	●	
V 2	●			●				●	●	
V 3	●			●				●	●	
V 4	●			●				●	●	

\*1 Connector type: IP67, Lead wire type: IP65

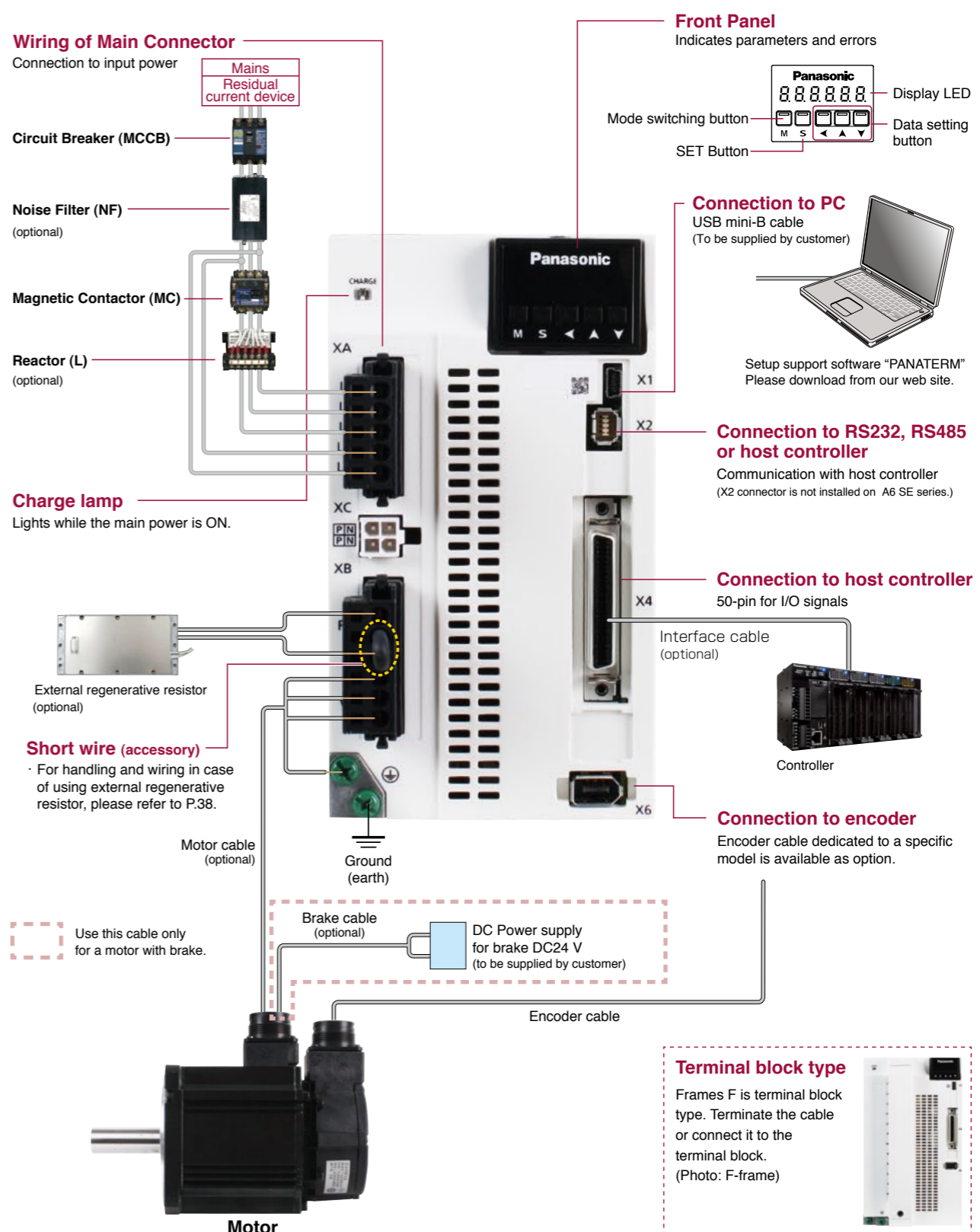
\*2 Connector on the motor side encoder. (Also applicable to screwed type.)

Overall Wiring

<A6 SF Series (Driver: A-frame Motor: 200 W)>



<A6 SG Series/ A6 SE Series (Driver: D-frame Motor: 1.0 kW)>

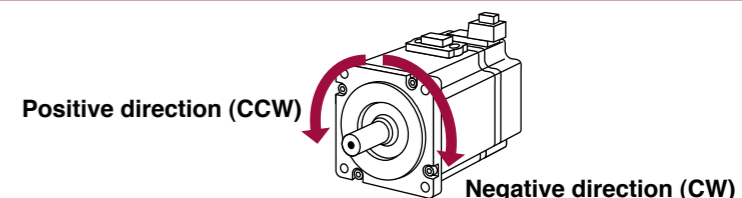


<Caution>

Apply adequate tightening torque to the product mounting screw by taking into consideration strength of the screw and the characteristics of material to which the product is installed. Overtightening can damage the screw and/or material; undertightening can result in loosening.  
Example) Steel screw (M5) into steel section: 2.7 N·m to 3.3 N·m.

<Note>

Initial setup of rotational direction:  
positive = CCW and negative = CW.  
Pay an extra attention.



## Driver and List of Applicable Peripheral Equipments

Driver	Applicable motor	Voltage (V) *1	Rated output (kW)	Required Power at the rated load (kVA)	Circuit breaker (rated current) (A)	Noise filter (Single phase) (3-phase)	Surge absorber (Single phase) (3-phase)	Ferite core	Rated operating current of magnetic contactor (configuration)	Diameter and withstand voltage of main circuit cable	Crimp terminal for main circuit terminal block *2	Diameter and withstand voltage of control power supply cable	Crimp terminal for control power supply terminal block	Diameter and withstand voltage of motor cable *3	Diameter and withstand voltage of brake cable
MADL	MSMF MHMF	Single phase, 100	0.05	approx. 0.4	10	DV0P4170	DV0P4190		20 A (3P+1a)	0.75 mm <sup>2</sup> / AWG18 600 VAC or more	Connection to exclusive connector	0.75 mm <sup>2</sup> / AWG18 600 VAC or more	0.75 mm <sup>2</sup> / AWG18 600 VAC or more	0.28 mm <sup>2</sup> to 0.75 mm <sup>2</sup> / AWG22 to AWG18 100 VAC or more	
	MSMF MQMF MHMF		0.1												
	MSMF MHMF	Single/ 3-phase 200	0.05												
	MSMF MQMF MHMF		0.1, 0.2												
MBDL	MSMF MQMF MHMF	Single phase, 100	0.2	approx. 0.9	15	DV0P4170	DV0P4190	DV0P1460	30 A (3P+1a)	2.0 mm <sup>2</sup> / AWG14 600 VAC or more	Connection to exclusive connector	0.75 mm <sup>2</sup> / AWG18 600 VAC or more	2.0 mm <sup>2</sup> / AWG14 600 VAC or more	0.75 mm <sup>2</sup> / AWG18 100 VAC or more	
	MSMF MQMF MHMF	Single/ 3-phase 200	0.4												
MCDL	MSMF MQMF MHMF	Single phase, 100	0.4	approx. 0.9	15	DV0PM20042	DV0P4190	DV0P1460	30 A (3P+1a)	2.0 mm <sup>2</sup> / AWG14 600 VAC or more	Connection to exclusive connector	0.75 mm <sup>2</sup> / AWG18 600 VAC or more	2.0 mm <sup>2</sup> / AWG14 600 VAC or more	0.75 mm <sup>2</sup> / AWG18 100 VAC or more	
	MSMF MHMF	Single/ 3-phase 200	0.75												
MDDL	MGMF	Single/ 3-phase 200	0.85	approx. 1.8	20	DV0P4220	DV0P4190	DV0P1450	30 A (3P+1a)	2.0 mm <sup>2</sup> / AWG14 600 VAC or more	Connection to exclusive connector	0.75 mm <sup>2</sup> / AWG18 600 VAC or more	2.0 mm <sup>2</sup> / AWG14 600 VAC or more	0.75 mm <sup>2</sup> / AWG18 100 VAC or more	
	MSMF		1.0 (80 mm sq.)												
	MDMF MHMF		1.0												
	MHMF		1.0 (80 mm sq.)												
	MSMF		1.0												
	MGMF		1.3												
	MSMF MDMF MHMF		1.5												
MEDL	MGMF	3-phase 200	1.8	approx. 3.8	30	DV0PM20043	DV0P1450	DV0P1460	60 A (3P+1a)	3.5 mm <sup>2</sup> / AWG12 600 VAC or more	11 mm or smaller	11 mm or smaller	3.5 mm <sup>2</sup> / AWG12 600 VAC or more	0.75 mm <sup>2</sup> / AWG18 100 VAC or more	
	MSMF MDMF MHMF		2.0												
MFDL	MSMF MDMF MHMF	3-phase 200	3.0	approx. 7.5	50	DV0P3410	DV0P1450	DV0P1460 RJ8035 (Recommended component) *4	100 A (3P+1a)	3.5 mm <sup>2</sup> / AWG12 600 VAC or more	11 mm or smaller	11 mm or smaller	3.5 mm <sup>2</sup> / AWG12 600 VAC or more	0.75 mm <sup>2</sup> / AWG18 100 VAC or more	
	MGMF		2.9												
	MSMF MDMF MHMF		4.0												
	MGMF		4.4												
	MSMF MDMF MHMF		5.0												

\*1 Select peripheral equipments for single/3phase common specification according to the power source.  
 \*2 For the ground screw, use the same crimp terminal as that for the main circuit terminal block.  
 \*3 The diameter of the ground cable must be equal to, or larger than that of the motor cable.  
 \*4 Use these products to suit an international standard.

### Related page

Noise filter ..... P.236 “Composition of Peripheral Equipments”  
 Surge absorber ..... P.237 “Composition of Peripheral Equipments”  
 Ferite core ..... P.238 “Composition of Peripheral Equipments”  
 Motor/brake connector .... P.169 “Specifications of Motor connector”

### About circuit breaker and magnetic contactor

**To comply to EC Directives, install a circuit breaker between the power and the noise filter without fail, and the circuit breaker should conform to IEC Standards and UL recognized (Listed and  $\text{UL}$  marked).**

Suitable for use on a circuit capable of delivering not more than 5000 Arms symmetrical amperes, below the maximum input voltage of the product.

If the short-circuit current of the power supply exceeds this value, install a current limit device (current limiting fuse, current limiting circuit breaker, transformer, etc.) to limit the short-circuit current.

#### <Caution>

- Select a circuit breaker and noise filter which match to the capacity of power supply (including a load condition).

### Terminal block and protective earth terminals

- Use a copper conductor cables with temperature rating of 75 °C or higher.
- Use the attached exclusive connector for A-frame to E-frame, and maintain the peeled off length of 8 mm to 9 mm.

#### Fastening torque list (Terminal block screw/Terminal cover fastening screw)

Frame	Terminal name	Terminal block screw		Terminal cover fastening screw	
		Nominal size	Fastening torque (N·m) <sup>Note)1</sup>	Nominal size	Fastening torque (N·m) <sup>Note)1</sup>
F	L1, L2, L3, L1C, L2C, P, RB, B, N, U, V, W	M5	1.0 to 1.7	M3	0.19 to 0.21

#### Fastening torque list (Ground terminal screw/Connector to host controller [X4])

Driver frame	Ground screw		Connector to host controller (X4)	
	Nominal size	Fastening torque (N·m) <sup>Note)1</sup>	Nominal size	Fastening torque (N·m) <sup>Note)1</sup>
A to E	M4	0.7 to 0.8	M2.6	0.3 to 0.35
F	M5	1.4 to 1.6		

#### Note)1 <Caution>

- Applying fastening torque larger than the maximum value may result in damage to the product.
- Do not turn on power without tightening all terminal block screws properly, otherwise, loose contacts may generate heat (smoking, firing) .

#### <Remarks>

- To check for looseness, conduct periodic inspection of fastening torque once a year.

**A6 Family**

**Table of Part Numbers and Options**

**80 mm sq. or less 50 W to 1000 W**

MSMF, MQMF, MHMF: Leadwire type IP65

Motor				Driver				Optional parts											Options		
Motor series	Power supply	Output (W)	Part No. Note)1	Rating/Spec. Dimensions (page)	A6 SF series Multi function type (Pulse, analog, full-closed)	A6 SG series RS485 communication A6 SE series Basic (Pulse signal input) Note)2, Note)4	Frame	Power capacity at rated load (kVA)	Encoder Cable Note)3		Motor Cable Note)3		Brake Cable Note)3	External Regenerative Resistor	Reactor (Single phase 3-phase)	Noise Filter (Single phase 3-phase)	Title	Part No.	Page		
									23-bit Absolute		without Brake	with Brake								Use in the absolute system (with battery box) Note)5	Use in the Incremental system (without battery box)
Low inertia MSMF (Leadwire type) 3000 r/min IP65	Single phase 100 V	50	MSMF5AZL1 □ 2	51	MADLT01SF	MADLN01S◇	A-frame	Approx. 0.4	MFECA 0 * * 0EAE (For fixed)	MFECA 0 * * 0EAD (For fixed)	MFMCB 0 * * 0GET	MFMCB 0 * * 0GET	DV0P4280	DV0P227	DV0P4170						
		100	MSMF011L1 □ 2	53	MADLT11SF	MADLN11S◇	A-frame	Approx. 0.4													
		200	MSMF021L1 □ 2	55	MBDLT21SF	MBDLN21S◇	B-frame	Approx. 0.5													
		400	MSMF041L1 □ 2	57	MCDLT31SF	MCDLN31S◇	C-frame	Approx. 0.9													
	Single phase/ 3-phase 200 V	50	MSMF5AZL1 □ 2	52	MADLT05SF	MADLN05S◇	A-frame	Approx. 0.5													
		100	MSMF012L1 □ 2	54	MADLT05SF	MADLN05S◇	A-frame	Approx. 0.5													
		200	MSMF022L1 □ 2	56	MADLT15SF	MADLN15S◇	A-frame	Approx. 0.5													
		400	MSMF042L1 □ 2	58	MBDLT25SF	MBDLN25S◇	B-frame	Approx. 0.9													
		750	MSMF082L1 □ 2	59	MCDLT35SF	MCDLN35S◇	C-frame	Approx. 1.3													
		1000	MSMF092L1 □ 2	60	MDDLT45SF	MDDLN45S◇	D-frame	Approx. 1.8													
Middle inertia MQMF (Leadwire type) 3000 r/min IP65	Single phase 100 V	100	MQMF011L1 □ 2 MQMF011L1 □ 4	67	MADLT11SF	MADLN11S◇	A-frame	Approx. 0.4													
		200	MQMF021L1 □ 2 MQMF021L1 □ 4	69	MBDLT21SF	MBDLN21S◇	B-frame	Approx. 0.5													
		400	MQMF041L1 □ 2 MQMF041L1 □ 4	71	MCDLT31SF	MCDLN31S◇	C-frame	Approx. 0.9													
		100	MQMF012L1 □ 2 MQMF012L1 □ 4	68	MADLT05SF	MADLN05S◇	A-frame	Approx. 0.5													
	Single phase/ 3-phase 200 V	200	MQMF022L1 □ 2 MQMF022L1 □ 4	70	MADLT15SF	MADLN15S◇	A-frame	Approx. 0.5													
		400	MQMF042L1 □ 2 MQMF042L1 □ 4	72	MBDLT25SF	MBDLN25S◇	B-frame	Approx. 0.9													
		High inertia MHMF (Leadwire type) 3000 r/min IP65	Single phase 100 V	50	MHMF5AZL1 □ 2 MHMF5AZL1 □ 4	73	MADLT01SF	MADLN01S◇	A-frame	Approx. 0.4											
				100	MHMF011L1 □ 2 MHMF011L1 □ 4	75	MADLT11SF	MADLN11S◇	A-frame	Approx. 0.4											
				200	MHMF021L1 □ 2 MHMF021L1 □ 4	77	MBDLT21SF	MBDLN21S◇	B-frame	Approx. 0.5											
				400	MHMF041L1 □ 2 MHMF041L1 □ 4	79	MCDLT31SF	MCDLN31S◇	C-frame	Approx. 0.9											
Single phase/ 3-phase 200 V	50		MHMF5AZL1 □ 2 MHMF5AZL1 □ 4	74	MADLT05SF	MADLN05S◇	A-frame	Approx. 0.5													
	100		MHMF012L1 □ 2 MHMF012L1 □ 4	76	MADLT05SF	MADLN05S◇	A-frame	Approx. 0.5													
	200		MHMF022L1 □ 2 MHMF022L1 □ 4	78	MADLT15SF	MADLN15S◇	A-frame	Approx. 0.5													
	400		MHMF042L1 □ 2 MHMF042L1 □ 4	80	MBDLT25SF	MBDLN25S◇	B-frame	Approx. 0.9													
	750		MHMF082L1 □ 2 MHMF082L1 □ 4	81	MCDLT35SF	MCDLN35S◇	C-frame	Approx. 1.3													
	1000		MHMF092L1 □ 2 MHMF092L1 □ 4	82	MDDLT55SF	MDDLN55S◇	D-frame	Approx. 2.3													

Note)1 □ : Represents the motor specifications. (refer to "Model designation" P.18.)

Note)2 ◇ : Represents the driver specifications. (refer to "Model designation" P.18.)

Note)3 \* \* : Represents the cable length (03/3 m, 05/5 m, 10/10 m, 20/20 m). Example. 3 m/MFECA0030EAE

Note)4 Because A6SE series driver (dedicated for position control) does not support the absolute system specification, only incremental system can be used in combination.

Note)5 Please note that a battery is not supplied together with 23-bit absolute encoder cable (with battery box).

Please buy the battery part number "DV0P2990" separately.

# A6 Family

## Table of Part Numbers and Options

**80 mm sq. or less 50 W to 1000 W**  
MSMF, MQMF: Connector type IP67

Motor					Driver				Optional parts									
Motor series	Power supply	Output (W)	Part No. Note)1	Rating/Spec. Dimensions (page)	A6 SF series Multi function type (Pulse, analog, full-closed)	A6 SG series RS485 communication A6 SE series Basic (Pulse signal input) Note)2, Note)5	Frame	Power capacity (at rated load) (kVA)	Encoder Cable Note)3		Motor Cable Note)3		Brake Cable Note)3	External Regenerative Resistor	Reactor (Single phase 3-phase)	Noise Filter (Single phase 3-phase)		
									23-bit Absolute		without Brake	with Brake						
								Use in the absolute system (with battery box) Note)6	Use in the incremental system (without battery box)									
Low Inertia MSMF (Connector type) 3000 r/min IP67	Single phase 100 V	50	MSMF5AZL1 □ 1	51 100	MADLT01SF	MADLN01S◇	A-frame	Approx. 0.4										
		100	MSMF011L1 □ 1	53 100	MADLT11SF	MADLN11S◇	A-frame	Approx. 0.4										
		200	MSMF021L1 □ 1	55 100	MBDLT21SF	MBDLN21S◇	B-frame	Approx. 0.5	MFECA 0 * * 0MJE (For movable, direction of motor shaft)	MFECA 0 * * 0MJJD (For movable, direction of motor shaft)	MFMCA 0 * * 0NJD (For movable, direction of motor shaft)	MFMCB 0 * * 0PJT (For movable, direction of motor shaft)						
		400	MSMF041L1 □ 1	57 101	MCDLT31SF	MCDLN31S◇	C-frame	Approx. 0.9	MFECA 0 * * 0MKE (For movable, opposite direction of motor shaft)	MFECA 0 * * 0MKD (For movable, opposite direction of motor shaft)	MFMCA 0 * * 0NKD (For movable, opposite direction of motor shaft)	MFMCB 0 * * 0PKT (For movable, opposite direction of motor shaft)						
	Single phase/ 3-phase 200 V	50	MSMF5AZL1 □ 1	52 100	MADLT05SF	MADLN05S◇	A-frame	Approx. 0.5	MFECA 0 * * 0TJE (For fixed, direction of motor shaft)	MFECA 0 * * 0TJD (For fixed, direction of motor shaft)	MFMCA 0 * * 0RJD (For fixed, direction of motor shaft)	MFMCB 0 * * 0SJT (For fixed, direction of motor shaft)						
		100	MSMF012L1 □ 1	54 100	MADLT05SF	MADLN05S◇	A-frame	Approx. 0.5	MFECA 0 * * 0TJE (For fixed, direction of motor shaft)	MFECA 0 * * 0TJD (For fixed, direction of motor shaft)	MFMCA 0 * * 0RJD (For fixed, direction of motor shaft)	MFMCB 0 * * 0SJT (For fixed, direction of motor shaft)						
		200	MSMF022L1 □ 1	56 100	MADLT15SF	MADLN15S◇	A-frame	Approx. 0.5	MFECA 0 * * 0TJE (For fixed, direction of motor shaft)	MFECA 0 * * 0TJD (For fixed, direction of motor shaft)	MFMCA 0 * * 0RJD (For fixed, direction of motor shaft)	MFMCB 0 * * 0SJT (For fixed, direction of motor shaft)						
		400	MSMF042L1 □ 1	58 101	MBDLT25SF	MBDLN25S◇	B-frame	Approx. 0.9	MFECA 0 * * 0TKE (For fixed, opposite direction of motor shaft)	MFECA 0 * * 0TKD (For fixed, opposite direction of motor shaft)	MFMCA 0 * * 0RKD (For fixed, opposite direction of motor shaft)	MFMCB 0 * * 0SKT (For fixed, opposite direction of motor shaft)						
	750	MSMF082L1 □ 1	59 101	MCDLT35SF	MCDLN35S◇	C-frame	Approx. 1.3											
	1000	MSMF092L1 □ 1	60 101	MDDL45SF	MDDL45S◇	D-frame	Approx. 1.8											
	Middle Inertia Flat type MQMF (Connector type) 3000 r/min IP67	Single phase 100 V	100	MQMF011L1 □ 1 MQMF011L1 □ 3	67 104	MADLT11SF	MADLN11S◇	A-frame	Approx. 0.4	MFECA 0 * * 0MJE (For movable, direction of motor shaft)	MFECA 0 * * 0MJJD (For movable, direction of motor shaft)	MFMCA 0 * * 0UFD (For movable, direction of motor shaft)	MFMCA 0 * * 0VFD (For movable, direction of motor shaft)					
			200	MQMF021L1 □ 1 MQMF021L1 □ 3	69 104	MBDLT21SF	MBDLN21S◇	B-frame	Approx. 0.5	MFECA 0 * * 0MKE (For movable, opposite direction of motor shaft)	MFECA 0 * * 0MKD (For movable, opposite direction of motor shaft)	MFMCA 0 * * 0UGD (For movable, opposite direction of motor shaft)	MFMCA 0 * * 0VGD (For movable, opposite direction of motor shaft)					
400			MQMF041L1 □ 1 MQMF041L1 □ 3	71 105	MCDLT31SF	MCDLN31S◇	C-frame	Approx. 0.9	MFECA 0 * * 0MKE (For movable, opposite direction of motor shaft)	MFECA 0 * * 0MKD (For movable, opposite direction of motor shaft)	MFMCA 0 * * 0UGD (For movable, opposite direction of motor shaft)	MFMCA 0 * * 0VGD (For movable, opposite direction of motor shaft)						
100			MQMF012L1 □ 1 MQMF012L1 □ 3	68 104	MADLT05SF	MADLN05S◇	A-frame	Approx. 0.5	MFECA 0 * * 0TJE (For fixed, direction of motor shaft)	MFECA 0 * * 0TJD (For fixed, direction of motor shaft)	MFMCA 0 * * 0WFD (For fixed, direction of motor shaft)	MFMCA 0 * * 0XFD (For fixed, direction of motor shaft)						
Single phase/ 3-phase 200 V		200	MQMF022L1 □ 1 MQMF022L1 □ 3	70 104	MADLT15SF	MADLN15S◇	A-frame	Approx. 0.5	MFECA 0 * * 0TJE (For fixed, direction of motor shaft)	MFECA 0 * * 0TJD (For fixed, direction of motor shaft)	MFMCA 0 * * 0WFD (For fixed, direction of motor shaft)	MFMCA 0 * * 0XFD (For fixed, direction of motor shaft)						
		400	MQMF042L1 □ 1 MQMF042L1 □ 3	72 105	MBDLT25SF	MBDLN25S◇	B-frame	Approx. 0.9	MFECA 0 * * 0TKE (For fixed, opposite direction of motor shaft)	MFECA 0 * * 0TKD (For fixed, opposite direction of motor shaft)	MFMCA 0 * * 0WGD (For fixed, opposite direction of motor shaft)	MFMCA 0 * * 0XGD (For fixed, opposite direction of motor shaft)						

- Note)1 □ : Represents the motor specifications. (refer to "Model designation" P.18.)
- Note)2 ◇ : Represents the driver specifications. (refer to "Model designation" P.18.)
- Note)3 \* \* : Represents the cable length (03/3 m, 05/5 m, 10/10 m, 20/20 m). Example. 3 m/MFECA0030MJE
- Note)4 Cables for opposite to output shaft cannot be used with 50 W or 100 W motor. (MSMF connector type only.)
- Note)5 Because A6SE series driver (dedicated for position control) does not support the absolute system specification, only incremental system can be used in combination.
- Note)6 Please note that a battery is not supplied together with 23-bit absolute encoder cable (with battery box). Please buy the battery part number "DV0P2990" separately.

Movable : For application where the cable is movable.  
Fixed : For application where the cable is fixed.  
Direction of motor shaft/Opposite direction of motor shaft : Cable direction

Options		
Title	Part No.	Page
Interface Cable	DV0P4360	182
Interface Conversion Cable	DV0P4120	182
	DV0P4121	182
	DV0P4130	182
	DV0P4131	182
	DV0P4132	182
Connector Kit for Power Supply Input Connection	A-frame to D-frame Single row type	DV0PM20032
	A-frame to D-frame Double row type	DV0PM20033
Connector Kit for Motor Connection	A-frame to D-frame	DV0PM20034
	MSMF	DV0PM20035
Connector Kit for Motor/Encoder Connection	MSMF	DV0PM24582
	MQMF	DV0PM24582
Connector Kit for Brake Connection	DV0PM20040	193
Connector Kit	RS485, RS232	DV0PM20024
	Safety	DV0PM20025
	Interface	DV0P4350
	External Scale	DV0PM20026
Battery for Absolute Encoder	Encoder	DV0PM20010
	Battery Box for Absolute Encoder Note)6	DV0P2990
Mounting Bracket	For A-frame, B-frame	DV0P4430
	For C-frame, D-frame	DV0P20100
Encoder Cable (with Battery Box) Note)6	For movable, direction of motor shaft	DV0PM20101
	For movable, opposite direction of motor shaft	MFECA0 * * 0MJE
	For fixed, direction of motor shaft	MFECA0 * * 0MKE
	For fixed, opposite direction of motor shaft	MFECA0 * * 0TJE
Encoder Cable (without Battery Box)	For movable, direction of motor shaft	MFECA0 * * 0TKE
	For movable, opposite direction of motor shaft	MFECA0 * * 0TKD
	For fixed, direction of motor shaft	MFECA0 * * 0MJD
	For fixed, opposite direction of motor shaft	MFECA0 * * 0MKD
Motor Cable (For MSMF type)	For movable, direction of motor shaft	MFECA0 * * 0TJD
	For movable, opposite direction of motor shaft	MFECA0 * * 0TKD
	For fixed, direction of motor shaft	MFMCA0 * * 0NJD
	For fixed, opposite direction of motor shaft	MFMCA0 * * 0NKD
Motor Cable (For MQMF type) (without Brake)	For movable, direction of motor shaft	MFMCA0 * * 0RJD
	For movable, opposite direction of motor shaft	MFMCA0 * * 0RKD
	For fixed, direction of motor shaft	MFMCA0 * * 0UFD
	For fixed, opposite direction of motor shaft	MFMCA0 * * 0VFD
Motor Cable (For MQMF type) (with Brake)	For movable, direction of motor shaft	MFMCA0 * * 0UGD
	For movable, opposite direction of motor shaft	MFMCA0 * * 0VGD
	For fixed, direction of motor shaft	MFMCA0 * * 0WFD
	For fixed, opposite direction of motor shaft	MFMCA0 * * 0XFD
Brake Cable	For movable, direction of motor shaft	MFMCA0 * * 0VGD
	For movable, opposite direction of motor shaft	MFMCA0 * * 0XGD
	For fixed, direction of motor shaft	MFMCB0 * * 0PJT
	For fixed, opposite direction of motor shaft	MFMCB0 * * 0PKT
External regenerative resistor	50 Ω 25 W	DV0P4280
	100 Ω 25 W	DV0P4281
	25 Ω 50 W	DV0P4282
	50 Ω 50 W	DV0P4283
Reactor	30 Ω 100 W	DV0P4284
	DV0P220, DV0P222, DV0P227, DV0P228	196
Noise Filter	DV0P4170, DV0PM20042, DV0P4220	236
Surge Absorber	DV0P4190, DV0P1450	237
Ferite Core	DV0P1460	238

A6 Family

E Series

Information

Motor series	Motor				Driver			Power capacity (at rated load) (kVA)	Encoder Cable Note)3		Optional parts		Brake Cable Note)3	External Regenerative Resistor	Reactor (Single phase / 3-phase)	Noise Filter (Single phase / 3-phase)	
	Power supply	Output (W)	Part No. Note)1	Rating/Spec. Dimensions (page)	A6 SF series Multi function type (Pulse, analog, full-closed)	A6 SG series RS485 communication	Frame		23-bit Absolute		without Brake	with Brake					
						A6 SE series Basic (Pulse signal input) Note)2, Note)4			Use in the absolute system (with battery box) Note)5	Use in the incremental system (without battery box)							
High inertia MHMF (Connector type) 3000 r/min IP67	Single phase 100 V	50	MHMF5AZL1 □ 1 MHMF5AZL1 □ 3	73 109	MADLT01SF	MADLN01S◇	A-frame	Approx. 0.4			MFMCA 0 * * 7UFD <small>(Movable/fixed common-use, direction of motor shaft)</small>	MFMCA 0 * * 7VFD <small>(Movable/fixed common-use, direction of motor shaft)</small>	-	DV0P4280	DV0P227	DV0P4170	
		100	MHMF011L1 □ 1 MHMF011L1 □ 3	75 109	MADLT11SF	MADLN11S◇	A-frame				MFMCA 0 * * 7UGD <small>(Movable/fixed common-use, opposite direction of motor shaft)</small>	MFMCA 0 * * 7VGD <small>(Movable/fixed common-use, opposite direction of motor shaft)</small>					
		200	MHMF021L1 □ 1 MHMF021L1 □ 3	77 110	MBDLT21SF	MBDLN21S◇	B-frame				Approx. 0.5	MFMCA 0 * * 0UFD <small>(For movable, direction of motor shaft)</small>					MFMCA 0 * * 0VFD <small>(For movable, direction of motor shaft)</small>
		400	MHMF041L1 □ 1 MHMF041L1 □ 3	79 110	MCDLT31SF	MCDLN31S◇	C-frame				Approx. 0.9	MFECA 0 * * 0MJE <small>(For movable, direction of motor shaft)</small>					MFECA 0 * * 0MJD <small>(For movable, direction of motor shaft)</small>
	Single phase/ 3-phase 200 V	50	MHMF5AZL1 □ 1 MHMF5AZL1 □ 3	74 109	MADLT05SF	MADLN05S◇	A-frame	Approx. 0.5			MFECA 0 * * 0TJE <small>(For fixed, direction of motor shaft)</small>	MFECA 0 * * 0TJD <small>(For fixed, direction of motor shaft)</small>	-	DV0P4281	DV0P227 DV0P220	DV0P4170 DV0PM20042	
		100	MHMF012L1 □ 1 MHMF012L1 □ 3	76 109	MADLT05SF	MADLN05S◇					MFECA 0 * * 0TKE <small>(For fixed, opposite direction of motor shaft)</small>	MFECA 0 * * 0TKD <small>(For fixed, opposite direction of motor shaft)</small>					
		200	MHMF022L1 □ 1 MHMF022L1 □ 3	78 110	MADLT15SF	MADLN15S◇					MFMCA 0 * * 0UFD <small>(For movable, direction of motor shaft)</small>	MFMCA 0 * * 0VFD <small>(For movable, direction of motor shaft)</small>					
		400	MHMF042L1 □ 1 MHMF042L1 □ 3	80 110	MBDLT25SF	MBDLN25S◇					B-frame	Approx. 0.9					MFMCA 0 * * 0UGD <small>(For movable, opposite direction of motor shaft)</small>
		750	MHMF082L1 □ 1 MHMF082L1 □ 3	81 111	MCDLT35SF	MCDLN35S◇	C-frame	Approx. 1.3	MFMCA 0 * * 0WFD <small>(For fixed, direction of motor shaft)</small>	MFMCA 0 * * 0XFD <small>(For fixed, direction of motor shaft)</small>							
		1000	MHMF092L1 □ 1 MHMF092L1 □ 3	82 111	MDDL55SF	MDDL55S◇	D-frame	Approx. 2.3	MFMCA 0 * * 0WGD <small>(For fixed, opposite direction of motor shaft)</small>	MFMCA 0 * * 0XGD <small>(For fixed, opposite direction of motor shaft)</small>							

Note)1 □ : Represents the motor specifications. (refer to "Model designation" P.18.)

Note)2 ◇ : Represents the driver specifications. (refer to "Model designation" P.18.)

Note)3 \* \* : Represents the cable length (03/3 m, 05/5 m, 10/10 m, 20/20 m). Example. 3 m/MFECA0030MJE

Note)4 Because A6SE series driver (dedicated for position control) does not support the absolute system specification, only incremental system can be used in combination.

Note)5 Please note that a battery is not supplied together with 23-bit absolute encoder cable (with battery box). Please buy the battery part number "DV0P2990" separately.

Movable : For application where the cable is movable.

Fixed : For application where the cable is fixed.

Direction of motor shaft/Opposite direction of motor shaft : Cable direction

Options

Title	Part No.	Page	
Interface Cable	DV0P4360	182	
Interface Conversion Cable	DV0P4120	182	
	DV0P4121	182	
	DV0P4130	182	
	DV0P4131	182	
	DV0P4132	182	
Connector Kit for Power Supply Input Connection	A-frame to D-frame Single row type	DV0PM20032	185
	D-frame Double row type	DV0PM20033	185
Connector Kit for Motor Connection	A-frame to D-frame	DV0PM20034	186
Connector Kit for Motor/Encoder Connection	MHMF 200 W to 1.0 kW	DV0PM24582	188
	MHMF 50 W, 100 W	DV0PM24581	188
Connector Kit for Brake Connection		DV0PM20040	193
Connector Kit	RS485, RS232	DV0PM20024	183
	Safety	DV0PM20025	183
	Interface	DV0P4350	184
	External Scale	DV0PM20026	184
	Encoder	DV0PM20010	184
Battery for Absolute Encoder		DV0P2990	194
Battery Box for Absolute Encoder Note)5		DV0P4430	194
Mounting Bracket	For A-frame,B-frame	DV0PM20100	195
	For C-frame,D-frame	DV0PM20101	195
Encoder Cable (with Battery Box) Note)5	For movable, direction of motor shaft	MFECA0 * * 0MJE	172
	For movable, opposite direction of motor shaft	MFECA0 * * 0MKE	172
	For fixed, direction of motor shaft	MFECA0 * * 0TJE	172
	For fixed, opposite direction of motor shaft	MFECA0 * * 0TKE	172
Encoder Cable (without Battery Box)	For movable, direction of motor shaft	MFECA0 * * 0MJD	172
	For movable, opposite direction of motor shaft	MFECA0 * * 0MKD	172
	For fixed, direction of motor shaft	MFECA0 * * 0TJD	172
	For fixed, opposite direction of motor shaft	MFECA0 * * 0TKD	172
Motor Cable (For MHMF (200 W to 1.0 kW) (without Brake)	For movable, direction of motor shaft	MFMCA0 * * 0UFD	176
	For movable, opposite direction of motor shaft	MFMCA0 * * 0UGD	176
	For fixed, direction of motor shaft	MFMCA0 * * 0WFD	176
Motor Cable (For MHMF (200 W to 1.0 kW) (with Brake)	For fixed, opposite direction of motor shaft	MFMCA0 * * 0WGD	176
	For movable, direction of motor shaft	MFMCA0 * * 0VFD	178
	For movable, opposite direction of motor shaft	MFMCA0 * * 0VGD	178
Motor Cable (For MHMF (50 W, 100 W) (without Brake)	For fixed, direction of motor shaft	MFMCA0 * * 0XFD	178
	For fixed, opposite direction of motor shaft	MFMCA0 * * 0XGD	178
	Movable/fixed common-use, direction of motor shaft	MFMCA0 * * 7UFD	175
Motor Cable (For MHMF (50 W, 100 W) (with Brake)	Movable/fixed common-use, opposite direction of motor shaft	MFMCA0 * * 7UGD	175
	Movable/fixed common-use, direction of motor shaft	MFMCA0 * * 7VFD	178
Motor Cable (For MHMF (50 W, 100 W) (with Brake)	Movable/fixed common-use, opposite direction of motor shaft	MFMCA0 * * 7VGD	178
	50 Ω 25 W	DV0P4280	197
External regenerative resistor	100 Ω 25 W	DV0P4281	197
	25 Ω 50 W	DV0P4282	197
	50 Ω 50 W	DV0P4283	197
	30 Ω 100 W	DV0P4284	197
Reactor	DV0P220, DV0P222	DV0P228	196
	DV0P227, DV0P228		
Noise Filter	DV0P4170, DV0PM20042	DV0P4220	236
Surge Absorber	DV0P4190, DV0P1450		237
Ferite Core	DV0P1460		238

# A6 Family

## Table of Part Numbers and Options

**100 mm sq. or more 0.85 kW to 5.0 kW**  
**IP67 motor Encoder connector (Large size JL10) type**

Motor										Driver				Optional parts						Options				
Motor series	Power supply	Output (W)	Part No. (Note)1	Rating/Spec. Dimensions (page)	A6 SF series Multi function type (Pulse, analog, full-closed)	A6 SG series RS485 communication A6 SE series Basic (Pulse signal input) (Note)2, (Note)4	Frame	Power capacity (at rated load) (kVA)	Encoder Cable (Note)3,5		Motor Cable (Note)3,5		External Regenerative Resistor	Reactor (Single phase / 3-phase)	Noise Filter	Title		Part No.	Page					
									JL10 (Large size) (One-touch lock type) (N/MS screwed type)		JL10 (One-touch lock type) (JL04 screwed type)					23-bit Absolute		without Brake	with Brake	A-frame to D-frame	Single row type	Double row type	Part No.	Page
									Use in the absolute system (with battery box) (Note)7	Use in the incremental system (without battery box)	without Brake	with Brake												
Low inertia	MSMF Large size JL10 type 3000 r/min IP67	Single phase/ 3-phase 200 V	1000	MSMF102L1 □ 6 MSMF102L1 □ 8	61	MDDL55SF	MDDL55S◇	D-frame	Approx. 2.3	MFECA 0 * * 0EPE	MFECA 0 * * 0EPD	MFMCD 0 * * 2EUD	MFMCA 0 * * 2FUD	DV0P4284	DV0P228 / DV0P222	DV0P4220	DV0P4360	182						
			1500	MSMF152L1 □ 6 MSMF152L1 □ 8	62	MDDL55SF	MDDL55S◇												D-frame	Approx. 2.3	DV0P4120	182		
		3-phase 200 V	2000	MSMF202L1 □ 6 MSMF202L1 □ 8	63	MEDLT83SF	MEDLN83S◇	E-frame	Approx. 3.8						DV0P4121	182								
	3000		MSMF302L1 □ 6 MSMF302L1 □ 8	64	MFDLTA3SF	MFDLNA3S◇	F-frame										Approx. 4.5	DV0P4130	182					
	4000		MSMF402L1 □ 6 MSMF402L1 □ 8	65	MFDLTB3SF	MFDLNB3S◇														F-frame	Approx. 7.5	DV0P4131	182	
	5000	MSMF502L1 □ 6 MSMF502L1 □ 8	66	MFDLTB3SF	MFDLNB3S◇	F-frame	Approx. 7.5	DV0P4132	182															
Middle inertia	MDMF Large size JL10 type 2000 r/min IP67	Single phase/ 3-phase 200 V	1000	MDMF102L1 □ 6 MDMF102L1 □ 8	89					MDDL45SF	MDDL45S◇	D-frame	Approx. 1.8	MFECA 0 * * 0EPE	MFECA 0 * * 0EPD	MFMCD 0 * * 2EUD	MFMCA 0 * * 2FUD	DV0P4284	DV0P228 / DV0P222	DV0P4220	DV0P24587	189		
			1500	MDMF152L1 □ 6 MDMF152L1 □ 8	90	MDDL55SF	MDDL55S◇	D-frame	Approx. 2.3	DV0P24588	189													
		3-phase 200 V	2000	MDMF202L1 □ 6 MDMF202L1 □ 8	91	MEDLT83SF	MEDLN83S◇					E-frame	Approx. 3.8						DV0P24589	189				
	3000		MDMF302L1 □ 6 MDMF302L1 □ 8	92	MFDLTA3SF	MFDLNA3S◇	F-frame	Approx. 4.5	DV0P24590	190														
	4000		MDMF402L1 □ 6 MDMF402L1 □ 8	93	MFDLTB3SF	MFDLNB3S◇					F-frame										Approx. 7.5	DV0P24591	190	
	5000	MDMF502L1 □ 6 MDMF502L1 □ 8	94	MFDLTB3SF	MFDLNB3S◇	F-frame	Approx. 7.5	DV0P24592	190															
High inertia	MGMF Large size JL10 type (Low speed/ High torque type) 1500 r/min IP67	Single phase/ 3-phase 200 V	850	MGMF092L1 □ 6 MGMF092L1 □ 8	95					MDDL45SF	MDDL45S◇	D-frame	Approx. 1.8	MFECA 0 * * 0EPE	MFECA 0 * * 0EPD	MFMCD 0 * * 2EUD	MFMCA 0 * * 2FUD	DV0P4284	DV0P228 / DV0P221	DV0P4220	DV0P24593	183		
			1300	MGMF132L1 □ 6 MGMF132L1 □ 8	96	MDDL55SF	MDDL55S◇	D-frame	Approx. 2.3	DV0P24594	183													
		3-phase 200 V	1800	MGMF182L1 □ 6 MGMF182L1 □ 8	97	MEDLT83SF	MEDLN83S◇					E-frame	Approx. 3.8						DV0P24595	184				
	2900		MGMF292L1 □ 6 MGMF292L1 □ 8	98	MFDLTA3SF	MFDLNA3S◇	F-frame	Approx. 7.5	DV0P24596	184														
	4400		MGMF442L1 □ 6 MGMF442L1 □ 8	99	MFDLTB3SF	MFDLNB3S◇					F-frame										Approx. 7.5	DV0P24597	184	
	3-phase 200 V	1000	MHMF102L1 □ 6 MHMF102L1 □ 8	83	MDDL45SF	MDDL45S◇	D-frame	Approx. 1.8	DV0P24598	184														
1500		MHMF152L1 □ 6 MHMF152L1 □ 8	84	MDDL55SF	MDDL55S◇	D-frame					Approx. 2.3	DV0P24599	184											
3-phase 200 V		2000	MHMF202L1 □ 6 MHMF202L1 □ 8	85	MEDLT83SF									MEDLN83S◇	E-frame	Approx. 3.8	DV0P24600	184						
	3000	MHMF302L1 □ 6 MHMF302L1 □ 8	86	MFDLTA3SF	MFDLNA3S◇	F-frame	Approx. 4.5	DV0P24601	184															
	4000	MHMF402L1 □ 6 MHMF402L1 □ 8	87	MFDLTB3SF	MFDLNB3S◇					F-frame	Approx. 7.5	DV0P24602	184											
5000	MHMF502L1 □ 6 MHMF502L1 □ 8	88	MFDLTB3SF	MFDLNB3S◇	F-frame	Approx. 7.5	DV0P24603	184																

Note)1 □ : Represents the motor specifications. (refer to "Model designation" P.18.)  
 Note)2 ◇ : Represents the driver specifications. (refer to "Model designation" P.18.)  
 Note)3 \* \* : Represents the cable length (03/3 m, 05/5 m, 10/10 m, 20/20 m). Example. 3 m/MFECA0030EPE  
 Note)4 Because A6SE series driver (dedicated for position control) does not support the absolute system specification, only incremental system can be used in combination.

Note)5 Use of JL10 type encoder cables and motor cables enable one-touch lock connections. Conventional screwed type N/MS and JL04V type cables can also be used.  
 Note)6 For other possible combinations, refer to P.197.  
 Note)7 Please note that a battery is not supplied together with 23-bit absolute encoder cable (with battery box). Please buy the battery part number "DV0P2990" separately.

Title		Part No.	Page
Interface Cable		DV0P4360	182
Interface Conversion Cable		DV0P4120	182
		DV0P4121	182
		DV0P4130	182
		DV0P4131	182
		DV0P4132	182
Connector Kit for Power Supply Input Connection	A-frame to D-frame	DV0PM20032	185
	D-frame	DV0PM20033	185
	E-frame	DV0PM20044	185
Connector Kit for Motor Connection	A-frame to D-frame	DV0PM20034	186
	E-frame	DV0PM20046	186
Connector Kit for Regenerative Resistor	E-frame	DV0PM20045	185
Connector Kit for Motor/ Encoder Connection	without Brake	DV0PM24587 MSMF 1.0 kW to 2.0 kW MDMF 1.0 kW to 2.0 kW MGMF 0.85 kW to 1.8 kW MHMF 1.0 kW, 1.5 kW	189
		DV0PM24588 MSMF 3.0 kW to 5.0 kW MDMF 3.0 kW to 5.0 kW MGMF 2.9 kW, 4.4 kW MHMF 2.0 kW to 5.0 kW	190
		DV0PM24589 MSMF 1.0 kW to 2.0 kW MDMF 1.0 kW to 2.0 kW MGMF 0.85 kW to 1.8 kW MHMF 1.0 kW, 1.5 kW	189
	with Brake	DV0PM24590 MSMF 3.0 kW to 5.0 kW MDMF 3.0 kW to 5.0 kW MGMF 2.9 kW, 4.4 kW MHMF 2.0 kW to 5.0 kW	190
		DV0PM24591 MSMF 1.0 kW to 2.0 kW MDMF 1.0 kW to 2.0 kW MGMF 0.85 kW to 1.8 kW MHMF 1.0 kW, 1.5 kW	190
		DV0PM24592 MSMF 3.0 kW to 5.0 kW MDMF 3.0 kW to 5.0 kW MGMF 2.9 kW, 4.4 kW MHMF 2.0 kW to 5.0 kW	190
Connector Kit	RS485, RS232	DV0PM20024	183
	Safety	DV0PM20025	183
	Interface	DV0P4350	184
	External Scale	DV0PM20026	184
	Encoder	DV0PM20010	184
Battery for Absolute Encoder		DV0P2990	194
Battery Box for Absolute Encoder (Note)7		DV0P4430	194
Mounting Bracket	D-frame	DV0PM20101	195
Encoder Cable (with Battery Box) (Note)7	One-touch lock type	MFECA0 * * 0EPE	173
	Screwed type	MFECA0 * * 0ESE	174
Encoder Cable (without Battery Box)	One-touch lock type	MFECA0 * * 0EPD	173
	Screwed type	MFECA0 * * 0ESD	173
Motor Cable (without Brake)	One-touch lock type	MFMCD0 * * 2EUD	176
	Screwed type	MFMCD0 * * 2ECD	176
	One-touch lock type	MFMCE0 * * 2EUD	177
	Screwed type	MFMCE0 * * 2ECD	177
	One-touch lock type	MFMCA0 * * 3EUT	177
Motor Cable (with Brake)	Screwed type	MFMCA0 * * 3ECT	177
	One-touch lock type	MFMCA0 * * 2FUD	179
	Screwed type	MFMCA0 * * 2FCD	179
Motor Cable (with Brake)	One-touch lock type	MFMCE0 * * 2FUD	179
	Screwed type	MFMCE0 * * 2FCD	180
	One-touch lock type	MFMCA0 * * 3FUT	180
	Screwed type	MFMCA0 * * 3FCT	180
External regenerative resistor	30 Ω 100 W 20 Ω 130 W	DV0P4284 DV0P4285	197
Reactor	DV0P222, DV0P223 DV0P224, DV0P225 DV0P228, DV0PM20047	196	
Noise Filter	DV0P4220, DV0PM20043 DV0P3410	236	
Surge Absorber	DV0P4190, DV0P1450	237	
Ferite Core	DV0P1460	238	



# A6 Family

## Table of Part Numbers and Options

100 mm sq. or more 0.85 kW to 5.0 kW  
IP67 motor Encoder connector (Small size JN2) type

Motor						Driver			Optional parts						Options																							
Motor series	Power supply	Output (W)	Part No. (Note)1	Rating/Spec. Dimensions (page)	A6 SF series Multi function type (Pulse, analog, full-closed)	A6 SG series RS485 communication A6 SE series Basic (Pulse signal input) (Note)2, (Note)4	Frame	Power capacity (at rated load) (kVA)	Encoder Cable (Note)3		Motor Cable (Note)3,5		External Regenerative Resistor	Reactor (Single phase / 3-phase)	Noise Filter	Title	Part No.	Page																				
									JN2 (Small size) (One-touch lock type)		JL10 (One-touch lock type) (JL04 screwed type)								without Brake	with Brake	DV0P4284	DV0P228 / DV0P222 DV0PM20047 / DV0P222	DV0P4220															
									23-bit Absolute		Use in the absolute system (with battery box) (Note)7	Use in the incremental system (without battery box)																										
Low inertia	MSMF Small size JN2 type 3000 r/min IP67	Single phase/ 3-phase 200 V	1000	MSMF102L1 □ 5 MSMF102L1 □ 7	61 102	MDDL55SF	MDDL55S◇	D-frame	Approx. 2.3	MFECA 0 * * 0ETE	MFECA 0 * * 0ETD	MFMCD 0 * * 2EUD MFMCA 0 * * 2FUD	DV0P4284	DV0P228 / DV0P222 DV0PM20047 / DV0P222	DV0P4220	Interface Cable	DV0P4360	182																				
			1500	MSMF152L1 □ 5 MSMF152L1 □ 7	62 102	MDDL55SF	MDDL55S◇																															
		3-phase 200 V	2000	MSMF202L1 □ 5 MSMF202L1 □ 7	63 102	MEDLT83SF	MEDLN83S◇	E-frame	Approx. 3.8										MFMCD 0 * * 2ECD MFMCA 0 * * 2FCD	DV0P4285 (Note)6	DV0P223	DV0PM20043	Connector Kit for Motor Supply Input Connection	A-frame to D-frame E-frame	DV0PM20032 DV0PM20033 DV0PM20044	185 185 185												
			3000	MSMF302L1 □ 5 MSMF302L1 □ 7	64 102	MFDLTA3SF	MFDLNA3S◇																															
			4000	MSMF402L1 □ 5 MSMF402L1 □ 7	65 102	MFDLTB3SF	MFDLNB3S◇																															
			5000	MSMF502L1 □ 5 MSMF502L1 □ 7	66 102	MFDLTB3SF	MFDLNB3S◇																															
Middle inertia	MDMF Small size JN2 type 2000 r/min IP67	Single phase/ 3-phase 200 V	1000	MDMF102L1 □ 5 MDMF102L1 □ 7	89 113	MDDL45SF	MDDL45S◇	D-frame	Approx. 1.8	MFECA 0 * * 0ETE	MFECA 0 * * 0ETD	MFMCD 0 * * 2EUD MFMCA 0 * * 2FUD	DV0P4284	DV0P228 / DV0P222 DV0PM20047 / DV0P222	DV0P4220	Connector Kit for Motor/ Encoder Connection	DV0P24583 MSMF 1.0 kW to 2.0 kW MDMF 1.0 kW to 2.0 kW MGMF 0.85 kW to 1.8 kW MHMF 1.0 kW, 1.5 kW	189																				
			1500	MDMF152L1 □ 5 MDMF152L1 □ 7	90 113	MDDL45SF	MDDL45S◇																															
		3-phase 200 V	2000	MDMF202L1 □ 5 MDMF202L1 □ 7	91 113	MEDLT83SF	MEDLN83S◇	E-frame	Approx. 3.8										MFMCD 0 * * 2ECD MFMCA 0 * * 2FCD	DV0P4285 (Note)6	DV0P223	DV0PM20043	without Brake	DV0P24584 MSMF 3.0 kW to 5.0 kW MDMF 3.0 kW to 5.0 kW MGMF 2.9 kW, 4.4 kW MHMF 2.0 kW to 5.0 kW	190													
			3000	MDMF302L1 □ 5 MDMF302L1 □ 7	92 113	MFDLTA3SF	MFDLNA3S◇																															
			4000	MDMF402L1 □ 5 MDMF402L1 □ 7	93 113	MFDLTB3SF	MFDLNB3S◇																															
			5000	MDMF502L1 □ 5 MDMF502L1 □ 7	94 113	MFDLTB3SF	MFDLNB3S◇																															
		High inertia	MGMF Small size JN2 type (Low speed/ High torque type) 1500 r/min IP67	Single phase/ 3-phase 200 V	850	MGMF092L1 □ 5 MGMF092L1 □ 7	95 114	MDDL45SF	MDDL45S◇										D-frame	Approx. 1.8	MFECA 0 * * 0ETE	MFECA 0 * * 0ETD	MFMCD 0 * * 2EUD MFMCA 0 * * 2FUD	DV0P4284	DV0P228 / DV0P221 DV0PM20047 / DV0P222	DV0P4220	Connector Kit	RS485, RS232 Safety Interface External Scale Encoder	DV0PM20024 DV0PM20025 DV0P4350 DV0PM20026 DV0PM20010	183 183 184 184 184								
					1300	MGMF132L1 □ 5 MGMF132L1 □ 7	96 114	MDDL45SF	MDDL45S◇																													
				3-phase 200 V	1800	MGMF182L1 □ 5 MGMF182L1 □ 7	97 114	MEDLT83SF	MEDLN83S◇										E-frame	Approx. 3.8											MFMCD 0 * * 2ECD MFMCA 0 * * 2FCD	DV0P4285	DV0P223	DV0PM20043	with Brake	DV0P24586 MSMF 3.0 kW to 5.0 kW MDMF 3.0 kW to 5.0 kW MGMF 2.9 kW, 4.4 kW MHMF 2.0 kW to 5.0 kW	190	
					2900	MGMF292L1 □ 5 MGMF292L1 □ 7	98 114	MFDLTA3SF	MFDLNA3S◇																													
					4400	MGMF442L1 □ 5 MGMF442L1 □ 7	99 114	MFDLTB3SF	MFDLNB3S◇																													
					4400	MGMF442L1 □ 5 MGMF442L1 □ 7	99 114	MFDLTB3SF	MFDLNB3S◇																													
High inertia	MHMF Small size JN2 type 2000 r/min IP67	Single phase/ 3-phase 200 V	1000	MHMF102L1 □ 5 MHMF102L1 □ 7	83 112	MDDL45SF	MDDL45S◇	D-frame	Approx. 1.8	MFECA 0 * * 0ETE	MFECA 0 * * 0ETD	MFMCD 0 * * 2EUD MFMCA 0 * * 2FUD	DV0P4284	DV0P228 / DV0P222 DV0PM20047 / DV0P222	DV0P4220	Motor Cable (without Brake)	One-touch lock type Screwed type	MFMCD0 * * 2EUD MFMCD0 * * 2ECD	176 176																			
			1500	MHMF152L1 □ 5 MHMF152L1 □ 7	84 112	MDDL45SF	MDDL45S◇																															
		3-phase 200 V	2000	MHMF202L1 □ 5 MHMF202L1 □ 7	85 112	MEDLT83SF	MEDLN83S◇	E-frame	Approx. 3.8											MFMCE 0 * * 2EUD MFMCA 0 * * 2FUD	DV0P4285 (Note)6	DV0P223	DV0PM20043	One-touch lock type Screwed type	MFMCA0 * * 3EUT MFMCA0 * * 3ECT	177 177												
			3000	MHMF302L1 □ 5 MHMF302L1 □ 7	86 112	MFDLTA3SF	MFDLNA3S◇																															
			4000	MHMF402L1 □ 5 MHMF402L1 □ 7	87 112	MFDLTB3SF	MFDLNB3S◇																															
			5000	MHMF502L1 □ 5 MHMF502L1 □ 7	88 112	MFDLTB3SF	MFDLNB3S◇																															
		High inertia	MHMF Small size JN2 type 2000 r/min IP67	Single phase/ 3-phase 200 V	1000	MHMF102L1 □ 5 MHMF102L1 □ 7	83 112	MDDL45SF	MDDL45S◇											D-frame	Approx. 1.8	MFECA 0 * * 0ETE	MFECA 0 * * 0ETD	MFMCD 0 * * 2EUD MFMCA 0 * * 2FUD	DV0P4284	DV0P228 / DV0P222 DV0PM20047 / DV0P222	DV0P4220	Motor Cable (with Brake)	One-touch lock type Screwed type	MFMCE0 * * 2EUD MFMCE0 * * 2ECD	177 177							
					1500	MHMF152L1 □ 5 MHMF152L1 □ 7	84 112	MDDL45SF	MDDL45S◇																													
				3-phase 200 V	2000	MHMF202L1 □ 5 MHMF202L1 □ 7	85 112	MEDLT83SF	MEDLN83S◇											E-frame	Approx. 3.8											MFMCE 0 * * 2EUD MFMCA 0 * * 2FUD	DV0P4285 (Note)6	DV0P223	DV0PM20043	One-touch lock type Screwed type	MFMCA0 * * 3EUT MFMCA0 * * 3ECT	177 177
					3000	MHMF302L1 □ 5 MHMF302L1 □ 7	86 112	MFDLTA3SF	MFDLNA3S◇																													
					4000	MHMF402L1 □ 5 MHMF402L1 □ 7	87 112	MFDLTB3SF	MFDLNB3S◇																													
					5000	MHMF502L1 □ 5 MHMF502L1 □ 7	88 112	MFDLTB3SF	MFDLNB3S◇																													

Note)1 □ : Represents the motor specifications. (refer to "Model designation" P.18.)

Note)2 ◇ : Represents the driver specifications. (refer to "Model designation" P.18.)

Note)3 \* \* : Represents the cable length (03/3 m, 05/5 m, 10/10 m, 20/20 m). Example. 3 m/MFECA0030ETE

Note)4 Because A6SE series driver (dedicated for position control) does not support the absolute system specification, only incremental system can be used in combination.

Note)5 Use of JL10 type motor cables enable one-touch lock connections. Conventional screwed type JL04V type cables can also be used.

Note)6 For other possible combinations, refer to P.197.

Note)7 Please note that a battery is not supplied together with 23-bit absolute encoder cable (with battery box). Please buy the battery part number "DV0P2990" separately.

Reactor	DV0P222, DV0P223 DV0P224, DV0P225 DV0P228, DV0PM20047	196
Noise Filter	DV0P4220, DV0PM20043 DV0P3410	236
Surge Absorber	DV0P4190, DV0P1450	237
Ferite Core	DV0P1460	238

Input power	100 V	Main circuit	Single phase 100 V <sup>+10 %</sup> / <sub>-15 %</sub> to 120 V <sup>+10 %</sup> / <sub>-15 %</sub> 50 Hz / 60 Hz	
		Control circuit	Single phase 100 V <sup>+10 %</sup> / <sub>-15 %</sub> to 120 V <sup>+10 %</sup> / <sub>-15 %</sub> 50 Hz / 60 Hz	
Input power	200 V	Main circuit	A-frame to D-frame	Single/3-phase 200 V <sup>+10 %</sup> / <sub>-15 %</sub> to 240 V <sup>+10 %</sup> / <sub>-15 %</sub> 50 Hz / 60 Hz
			E-frame, F-frame	Single/3-phase 200 V <sup>+10 %</sup> / <sub>-15 %</sub> to 240 V <sup>+10 %</sup> / <sub>-15 %</sub> 50 Hz / 60 Hz
		Control circuit	A-frame to D-frame	Single phase 200 V <sup>+10 %</sup> / <sub>-15 %</sub> to 240 V <sup>+10 %</sup> / <sub>-15 %</sub> 50 Hz / 60 Hz
			E-frame, F-frame	Single phase 200 V <sup>+10 %</sup> / <sub>-15 %</sub> to 240 V <sup>+10 %</sup> / <sub>-15 %</sub> 50 Hz / 60 Hz
Environment	temperature	Ambient temperature: 0 °C to 55 °C (free from freezing) Storage temperature: -20 °C to 65 °C (Max.temperature guarantee: 80 °C for 72 hours free from condensation <sup>*1</sup> )		
	humidity	Both operating and storage : 20 % to 85 %RH (free from condensation <sup>*1</sup> )		
	Altitude	Lower than 1000 m		
	Vibration	5.88 m/s <sup>2</sup> or less, 10 Hz to 60 Hz		
Control method	IGBT PWM Sinusoidal wave drive			
Encoder feedback	23-bit (8388608 resolution) absolute encoder, 7-wire serial * When using the product as an incremental system (not using multi-turn data), do not connect a battery for absolute encoder. Instead, set the parameter Pr0.15 to [1] (default).			
External scale feedback	A/B phase, initialization signal differential input. Manufacturers that support serial communication scale: Fagor Automation S.Coop., Magnescale Co., Ltd., Mitutoyo Corporation Nidec Sankyo Corporation, Renishaw plc			
Parallel I/O connector	Control signal	Input	General purpose 10 inputs The function of general-purpose input is selected by parameters.	
		Output	General purpose 6 outputs The function of general-purpose output is selected by parameters.	
	Analog signal	Input	3 inputs (16-bit A/D : 1 input, 12-bit A/D : 2 inputs)	
		Output	2 outputs (Analog monitor: 2 output)	
	Pulse signal	Input	2 inputs (Photo-coupler input, Line receiver input) Both open collector and line driver interface can be connected. High speed line driver interface can be connected.	
		Output	4 outputs ( Line driver: 3 output, open collector: 1 output) Line driver output for encoder pulses (A/B/Z signal) or external feedback pulses (EXA/EXB/EXZ signal) open collector output also available for Z or EXZ signal.	
	Communication function	USB	USB interface to connect to computers for parameter setting or status monitoring.	
		RS232	1:1 communication	
RS485		1: n communication (max 31)		
Safety function	A dedicated connector is provided for Functional Safety.			
Front panel	(1) 5 keys (2) LED (6-digit)			
Regeneration	A-frame, B,-frame: no built-in regenerative resistor (external resistor only) C-frame to F-frame: Built-in regenerative resistor (external resistor is also enabled.)			
Dynamic brake	A-frame to F-frame: Built-in			
Control mode	Switching among the following 7 mode is enabled, (1) Position control (2) Speed control (3) Toque control (4) Position/Speed control (5) Position/Torque control (6) Speed/Torque control (7) Full-closed control			

\*1 Air containing water vapor will become saturated with water vapor as the temperature falls, causing dew.

Function	Control input	(1) servo-ON input (2) Alarm clear input (3) Gain switch input (4) Positive direction drive inhibit input (5) Negative direction drive inhibit input (6) Forced alarm input (7) Inertia ratio switch input		
		Control output	(1) Servo-alarm output (2) Servo-ready output (3) External brake off output (4) At-speed output (5) Torque in-limit output (6) Zero speed detection output (7) Warning output (8) Alarm clear attribute output (9) Servo on status output	
Position control	Control input		(1) Deviation counter clear input (2) Command pulse inhibit input (3) Command division/multiplication switch input (4) Anti-vibration switch input (5) Torque limit switch input (6) Control mode switch input	
	Pulse input	Max. command pulse frequency	500 kpps (Optocoupler interface), 8 Mpps (When using line receiver input multiplied by 4)	
		Input pulse signal format	Differential input. Selectable by parameter. ([1]Positive/Negative pulse [2]A/B quadrature [3]Pulse/Direction)	
	Analog input	Electronic gear (Division/Multiplication of command pulse)	Applicable scaling ratio: 1/1000 times to 8000 times Any value of 1 - 2 <sup>30</sup> can be set for both numerator (which corresponds to encoder resolution) and denominator (which corresponds to command pulse resolution per motor revolution), but the combination has to be within the range shown above.	
		Smoothing filter	Primary delay filter or FIR type filter is adaptable to the command input	
	Torque limit command input	Torque limit command input	Individual torque limit for both positive and negative direction is enabled.	
		Torque feed forward input	Analog voltage can be used as torque feed forward input.	
	Two-degree-of-freedom control	Available		
	Anti-vibration control	Available		
	Load variation suppression function	Available		
Speed control	Control input	(1) Internal command velocity selection input (2) Speed zero clamp input (3) Velocity command sign input (4) Control mode switch input		
	Control output	(1) Speed coincidence output (2) Velocity command ON/OFF output		
	Analog input	Velocity command input	Velocity command input with analog voltage is possible. Scale setting and command polarity vary depending on parameters. (6 V/Rated rotational speed: Default)	
		Torque limit command input	Individual torque limit for both positive and negative direction is enabled.	
	Torque feed forward input	Torque feed forward input	Analog voltage can be used as torque feed forward input.	
		Internal velocity command	Switching the internal 8 speed is enabled by command input.	
	Soft-start/down function	Individual setup of acceleration and deceleration is enabled, with 0 s to 10 s/1000 r/min. Sigmoid acceleration/deceleration is also enabled.		
	Speed zero clamp	Internal velocity command can be clamped to 0 with speed zero clamp input.		
Two-degree-of-freedom control	Available			
Torque control	Control input	Speed zero clamp input, torque command sign input, control mode switch input.		
	Control output	(1) Speed coincidence output (2) Speed in-limit output		
	Analog input	Torque command input	Torque command input with analog voltage is possible. Scale setting and command polarity vary depending on parameters. (3 V/rated torque Default)	
		Speed limit function	Speed limit value with parameter is enabled.	
Full-closed control	Control input	(1) Deviation counter clear input (2) Command pulse inhibit input (3) Command division/multiplication switch input (4) Anti-vibration switch input (5) Torque limit switch input		
	Control output	(1) In-position output (2) Position command ON/OFF output		
	Pulse input	Max. command pulse frequency	500 kpps (Optocoupler interface), 8 Mpps (When using line receiver input multiplied by 4)	
		Input pulse signal format	Differential input. Selectable by parameter. ([1]Positive/Negative pulse [2]A/B quadrature [3]Pulse/Direction)	
	Analog input	Electronic gear (Division/Multiplication of command pulse)	Applicable scaling ratio: 1/1000 times to 8000 times Any value of 1 - 2 <sup>30</sup> can be set for both numerator (which corresponds to encoder resolution) and denominator (which corresponds to command pulse resolution per motor revolution), but the combination has to be within the range shown above.	
		Smoothing filter	Primary delay filter or FIR type filter is adaptable to the command input	
	Torque limit command input	Torque limit command input	Individual torque limit for both positive and negative direction is enabled.	
		Torque feed forward input	Analog voltage can be used as torque feed forward input.	
	Setting range of external scale division/multiplication	1/40 times to 1280 times Although ratio of the encoder pulse (numerator) and external scale pulse (denominator) can be arbitrarily set in the range of 1 to 2 <sup>23</sup> for the numerator and in the range of 1 to 2 <sup>23</sup> for the denominator, this product should be used within the aforementioned range.		
	Two-degree-of-freedom control	Available		
Anti-vibration control	Available			
Common	Auto tuning	The load inertia is identified in real time by the driving state of the motor operating according to the command given by the controlling device and set up support software "PANATERM". The gain is set automatically in accordance with the rigidity setting.		
	Division of encoder feedback pulse	Set up of any value is enabled (encoder pulses count is the max.).		
	Protective function	Hard error	Over-voltage, under-voltage, over-speed, over-load, over-heat, over-current and encoder error etc.	
		Soft error	Excess position deviation, command pulse division error, EEPROM error etc.	
Alarm data trace back	Tracing back of alarm data is available			

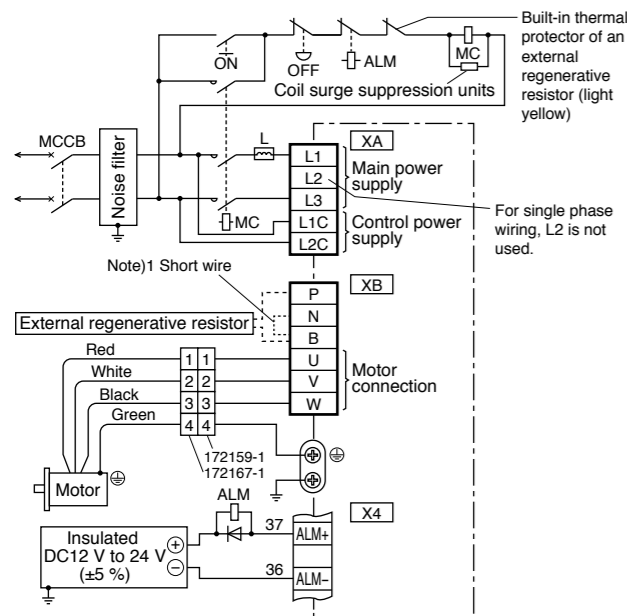
Basic Specifications	Input power	100 V	Main circuit	Single phase 100 V $+10\%$ to 120 V $+10\%$ 50 Hz / 60 Hz $-15\%$ $-15\%$		
			Control circuit	Single phase 100 V $+10\%$ to 120 V $+10\%$ 50 Hz / 60 Hz $-15\%$ $-15\%$		
		200 V	Main circuit	A-frame to D-frame	Single/3-phase 200 V $+10\%$ to 240 V $+10\%$ 50 Hz / 60 Hz $-15\%$ $-15\%$	
				E-frame to F-frame	Single/3-phase 200 V $+10\%$ to 240 V $+10\%$ 50 Hz / 60 Hz $-15\%$ $-15\%$	
			Control circuit	A-frame to D-frame	Single phase 200 V $+10\%$ to 240 V $+10\%$ 50 Hz / 60 Hz $-15\%$ $-15\%$	
	E-frame to F-frame			Single phase 200 V $+10\%$ to 240 V $+10\%$ 50 Hz / 60 Hz $-15\%$ $-15\%$		
	Environment	temperature	Ambient temperature: 0 °C to 55 °C (free from freezing) Storage temperature: -20 °C to 65 °C (Max.temperature guarantee: 80 °C for 72 hours free from condensation <sup>*1</sup> )			
		humidity	Both operating and storage : 20 % to 85 %RH (free from condensation <sup>*1</sup> )			
		Altitude	Lower than 1000 m			
		Vibration	5.88 m/s <sup>2</sup> or less, 10 Hz to 60 Hz			
	Control method	IGBT PWM Sinusoidal wave drive				
	Encoder feedback	23-bit (8388608 resolution) absolute encoder, 7-wire serial * When using the product as an incremental system (not using multi-turn data), do not connect a battery for absolute encoder. Instead, set the parameter Pr0.15 to [1] (default).				
	Parallel I/O connector	Control signal	Input	General purpose 10 inputs The function of general-purpose input is selected by parameters.		
			Output	General purpose 6 outputs The function of general-purpose input is selected by parameters.		
		Analog signal	Input	None		
Output			2 outputs (Analog monitor: 2 output)			
Pulse signal		Input	2 inputs (Photo-coupler input, Line receiver input)			
		Output	4 outputs ( Line driver: 3 output, open collector: 1 output)			
Communication function	USB	USB interface to connect to computers for parameter setting or status monitoring.				
	RS232	1:1 communication	* RS485, RS232 connector is not installed on A6 SE series.			
	RS485	1: n communication (max 31)				
Front panel	(1) 5 keys (2) LED (6-digit)					
Regeneration	A-frame, B,-frame: no built-in regenerative resistor (external resistor only) C-frame to F-frame: Built-in regenerative resistor (external resistor is also enabled.)					
Dynamic brake	Built-in					
Control mode	(1) Position control (2) Internal velocity command (3) Position/Internal velocity command					

\*1 Air containing water vapor will become saturated with water vapor as the temperature falls, causing dew.

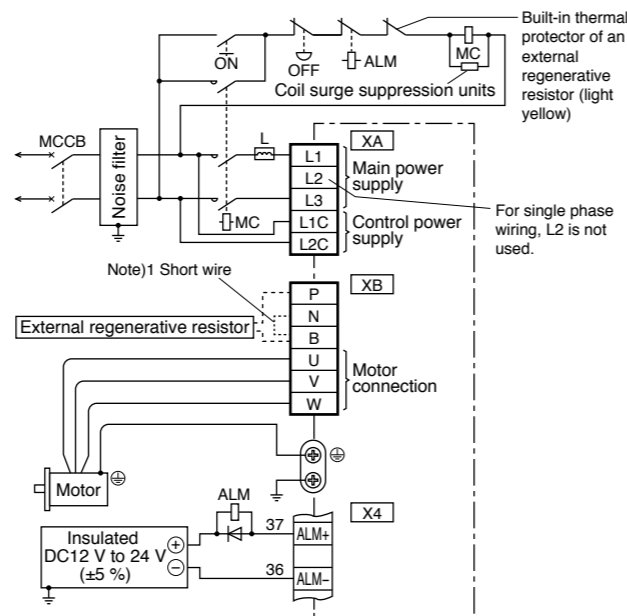
Position control	Control input	(1) servo-ON input (2) Alarm clear input (3) Gain switch input (4) Positive direction drive inhibit input ect.			
	Control output	In-Position output etc.			
	Pulse input	Max. command pulse frequency	500 kpps (Optocoupler interface) 8 Mpps (Line receiver interface)		
		Input pulse signal format	Differential input. Selectable by parameter. ([1]Positive/Negative pulse [2]A/B quadrature [3]Pulse/Direction)		
		Electronic gear (Division/Multiplication of command pulse)	Applicable scaling ratio: 1/1000 times to 8000 times Any value of 1 - 2 <sup>30</sup> can be set for both numerator (which corresponds to encoder resolution) and denominator (which corresponds to command pulse resolution per motor revolution), but the combination has to be within the range shown above.		
		Smoothing filter	Primary delay filter or FIR type filter is adaptable to the command input		
	Anti-vibration control	Available			
	Two-degree-of-freedom control	Available			
	Function	Control input	Internal command speed selections 1-3, speed-zero clamp, etc.		
		Control output	At speed etc.		
Speed control		Internal velocity command	Switching the internal 8 speed is enabled by command input.		
		Soft-start/down function	Individual setup of acceleration and deceleration is enabled, with 0 s to 10 s/1000 r/min. Sigmoid acceleration/deceleration is also enabled.		
		Zero-speed clamp	Internal velocity command can be clamped to 0 with speed zero clamp input.		
		Two-degree-of-freedom control	Available		
Common		Auto tuning	The load inertia is identified in real time by the driving state of the motor operating according to the command given by the controlling device and set up support software "PANATERM". The gain is set automatically in accordance with the rigidity setting.		
		Division of encoder feedback pulse	Set up of any value is enabled (encoder pulses count is the max.).		
		Protective function	Hard error	Over-voltage, under-voltage, over-speed, over-load, over-heat, over-current and encoder error etc.	
			Soft error	Excess position deviation, command pulse division error, EEPROM error etc.	
	Alarm data trace back	Tracing back of alarm data is available			

**In Case of Single phase, A-frame, B-frame, 100 V / 200 V type**

● In Case of Leadwire type

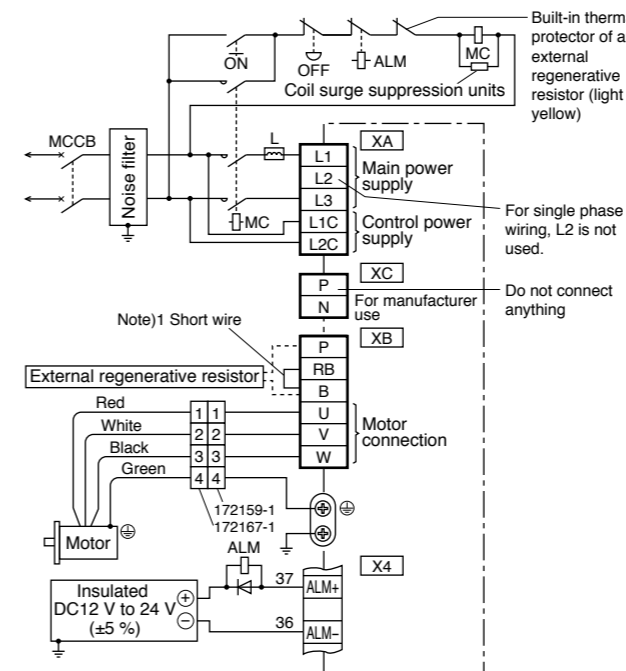


● In Case of Connector type

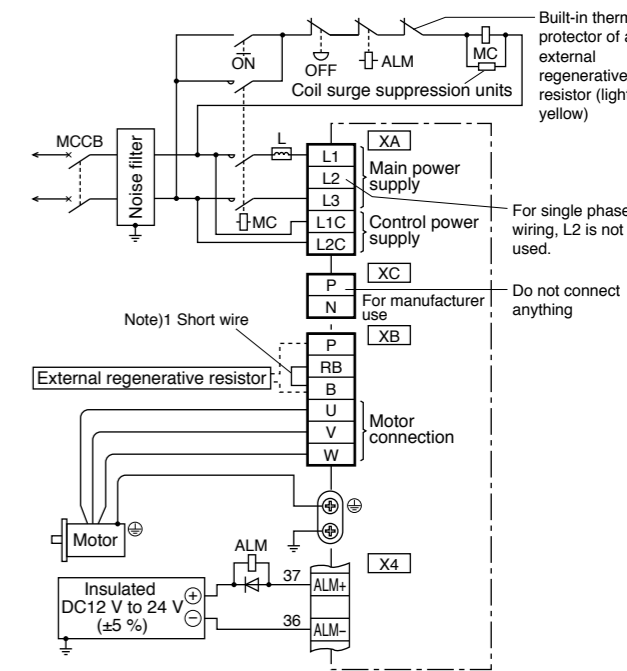


**In Case of Single phase, C-frame, D-frame, 100 V / 200 V type**

● In Case of Leadwire type

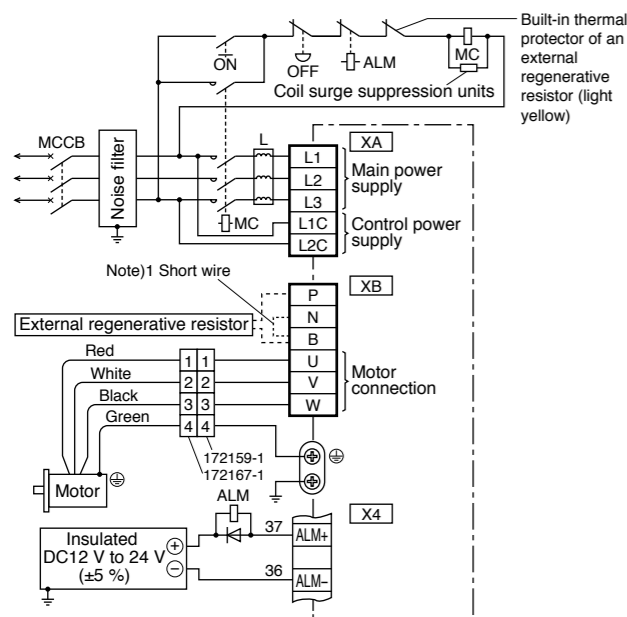


● In Case of Connector type

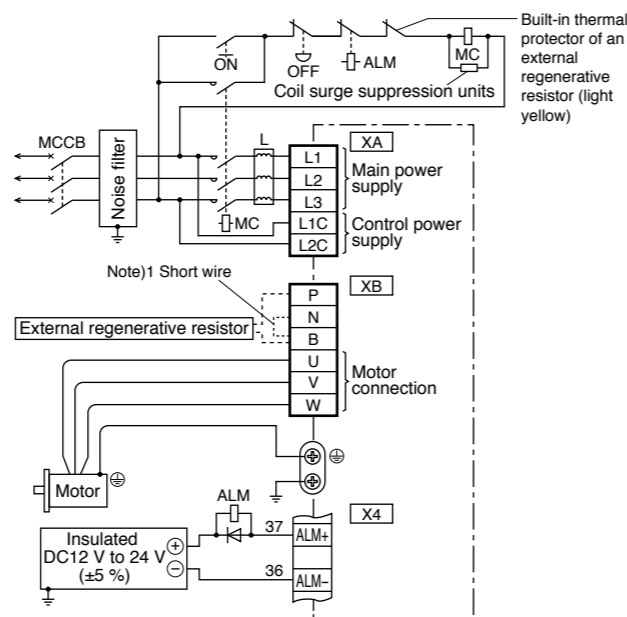


**In Case of 3-phase, A-frame, B-frame, 200 V type**

● In Case of Leadwire type

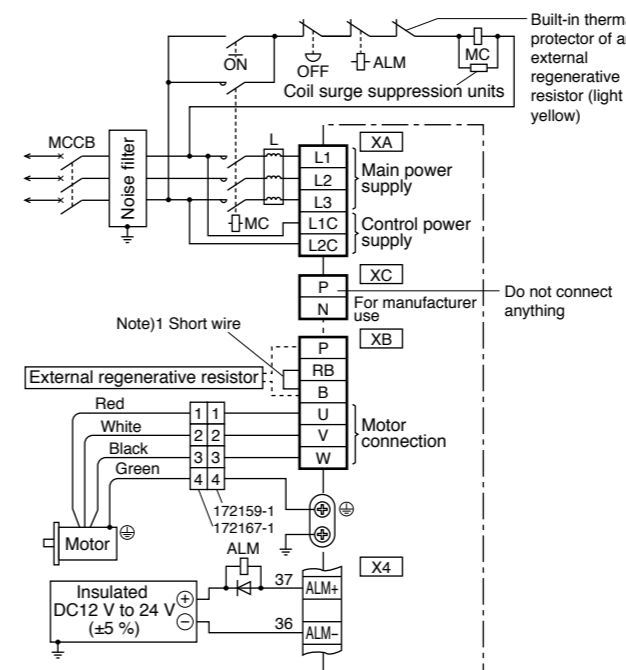


● In Case of Connector type

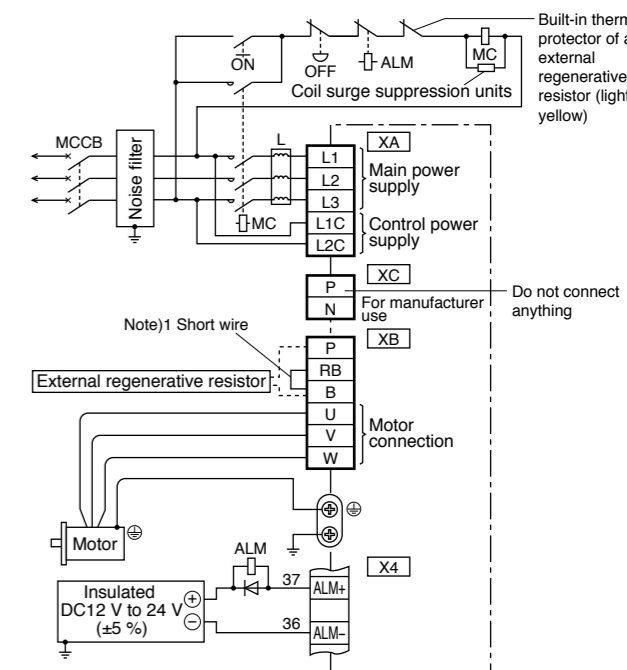


**In Case of 3-phase, C-frame, D-frame, 200 V type**

● In Case of Leadwire type



● In Case of Connector type



Note)1

Frame No.	Short wire (Accessory)	Built-in regenerative resistor	Connection of the connector XB	
			In case of using an external regenerative resistor	In case of not using an external regenerative resistor
A-frame B-frame	without	without	• Connect an external regenerative resistor between P-B.	• Always open between P-B.

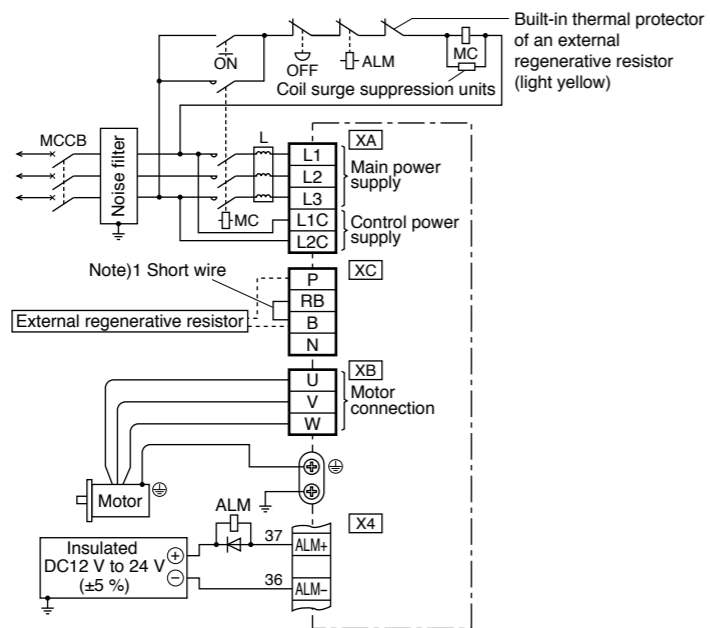
\* Refer to P.169, P.170, Specifications of Motor connector.

Note)1

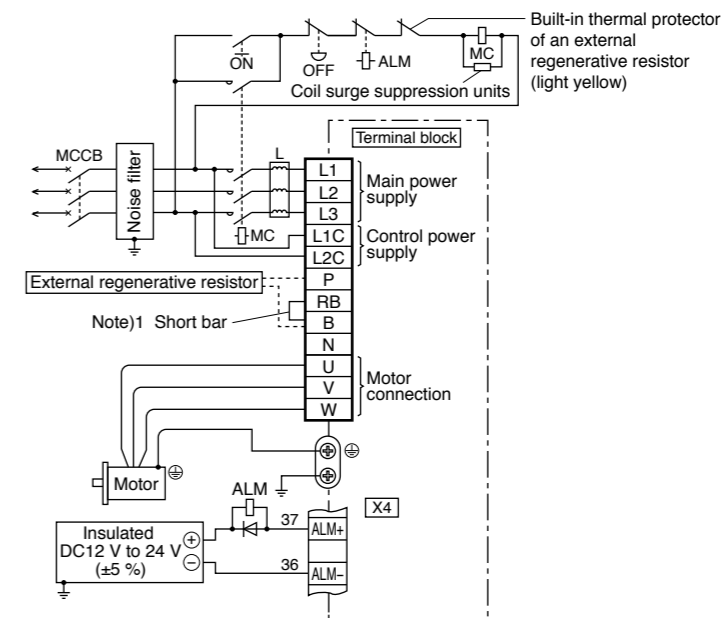
Frame No.	Short wire (Accessory)	Built-in regenerative resistor	Connection of the connector XB	
			In case of using an external regenerative resistor	In case of not using an external regenerative resistor
C-frame D-frame	with	with	• Remove the short wire accessory from between RB-B. • Connect an external regenerative resistor between P-B.	• Shorted between RB-B with an attached short wire

\* Refer to P.169, P.170, Specifications of Motor connector.

In Case of 3-phase, E-frame, 200 V type



In Case of 3-phase, F-frame, 200 V type



Note)1

Frame No.	Short wire (Accessory)	Built-in regenerative resistor	Connection of the connector XC	
			In case of using an external regenerative resistor	In case of not using an external regenerative resistor
E-frame	with	with	<ul style="list-style-type: none"> <li>Remove the short wire accessory from between RB-B.</li> <li>Connect an external regenerative resistor between P-B.</li> </ul>	<ul style="list-style-type: none"> <li>Shorted between RB-B with an attached short wire</li> </ul>

Note)1

Frame No.	Short bar (Accessory)	Built-in regenerative resistor	Connection of terminal block	
			In case of using an external regenerative resistor	In case of not using an external regenerative resistor
F-frame	with	with	<ul style="list-style-type: none"> <li>Remove the short bar accessory from between RB-B.</li> <li>Connect an external regenerative resistor between P-B.</li> </ul>	<ul style="list-style-type: none"> <li>Shorted between RB-B with an attached short bar</li> </ul>

\* Refer to P.170, Specifications of Motor connector.

\* Refer to P.170, Specifications of Motor connector.

Connecting the host controller can configure a safety circuit that controls the safety functions.

When not constructing the safety circuit, use the supplied safety bypass plug.

Outline Description of Safe Torque Off (STO)

The safe torque off (STO) function is a safety function that shuts the motor current and turns off motor output torque by forcibly turning off the driving signal of the servo driver internal power transistor. For this purpose, the STO uses safety input signal and hardware (circuit).

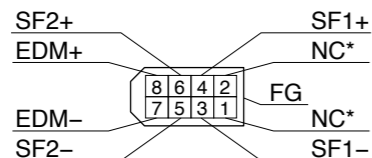
When STO function operates, the servo driver turns off the servo ready output signal (S-RDY) and enters STO state. When the driver becomes STO state, front panel displays the "St.". Then, when the driver's state is STO input is off and servo-on input is off, the driver automatically becomes servo-off.

Safety Precautions

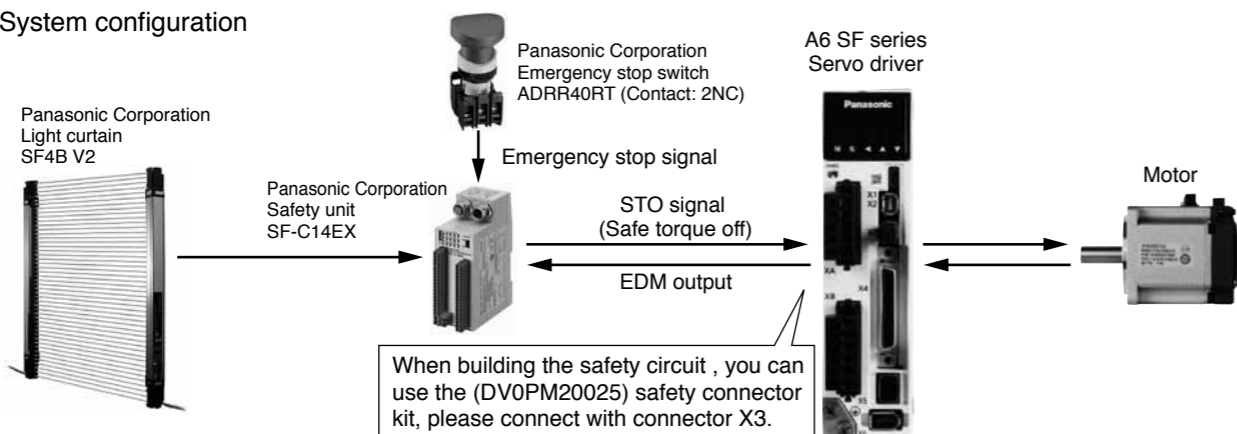
- When using the STO function, be sure to perform equipment risk assessment to ensure that the system conforms to the safety requirements.
- Even while the STO function is working, the following potential safety hazards exist. Check safety in risk assessment.
  - The motor may move when external force (e.g. gravity force on vertical axis) is exerted on it. Provide an external brake, etc., as necessary to secure the motor. Note that the purpose of motor with brake is holding and it cannot be used for braking application.
  - When parameter Pr5.10 Sequence at alarm is set to free run (disable dynamic brake), the motor is free run state and requires longer stop distance even if no external force is applied. Make sure that this does not cause any problem.
- When power transistor, etc., becomes defective, the motor will move to the extent equivalent of 180 electrical angle (max.). Make sure that this does not cause any problem.
- The STO turns off the current to the motor but does not turn off power to the servo driver and does not isolate it. When starting maintenance service on the servo driver, turn off the driver by using a different disconnecting device.
- External device monitor (EDM) output signal is not a safety signal. Do not use it for an application other than failure monitoring.
- Dynamic brake and external brake release signal output are not related to safety function. When designing the system, make sure that the failure of external brake release during STO condition does not result in danger condition.
- When using STO function, connect equipment conforming to the safety standards.

[Connector pin assignment]

(Viewed from cable)

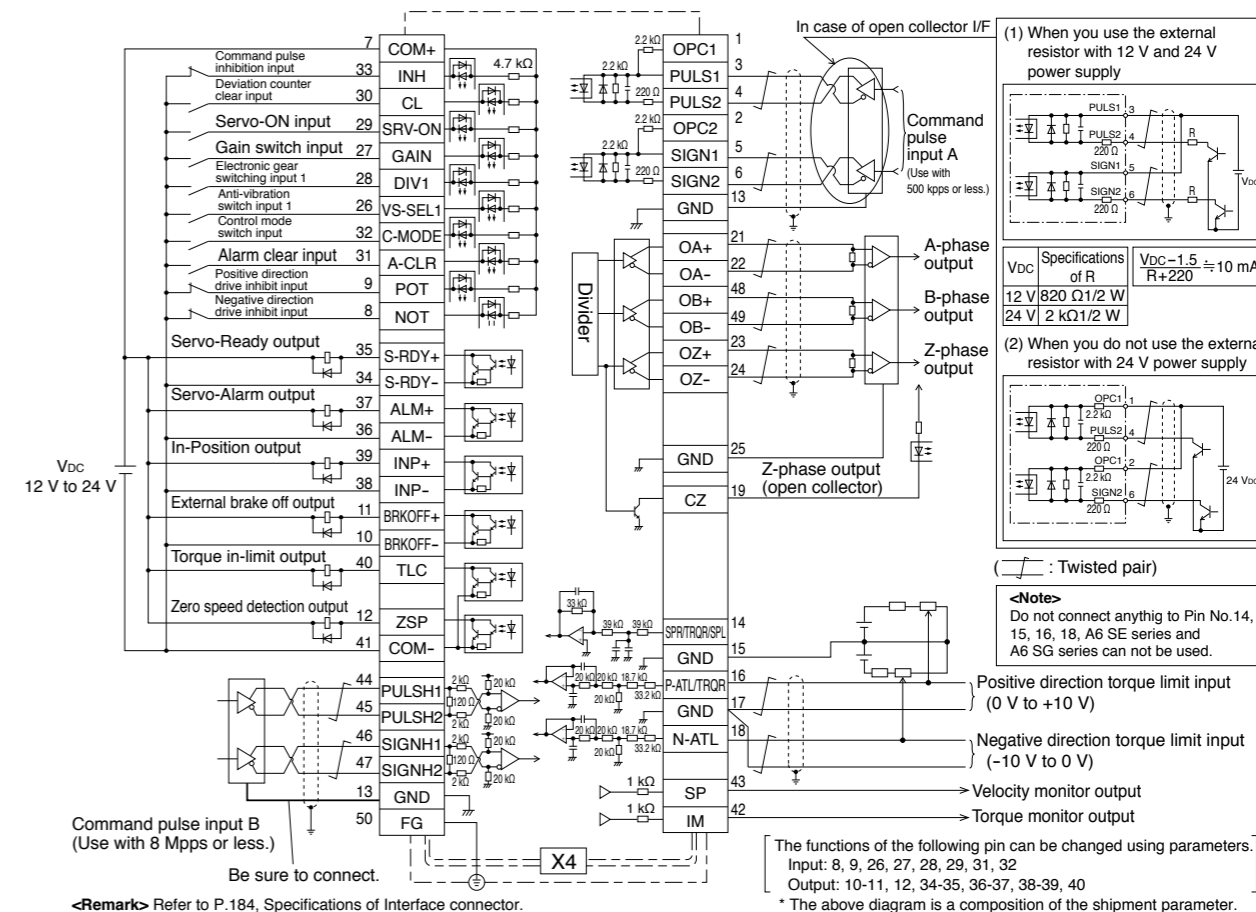


System configuration



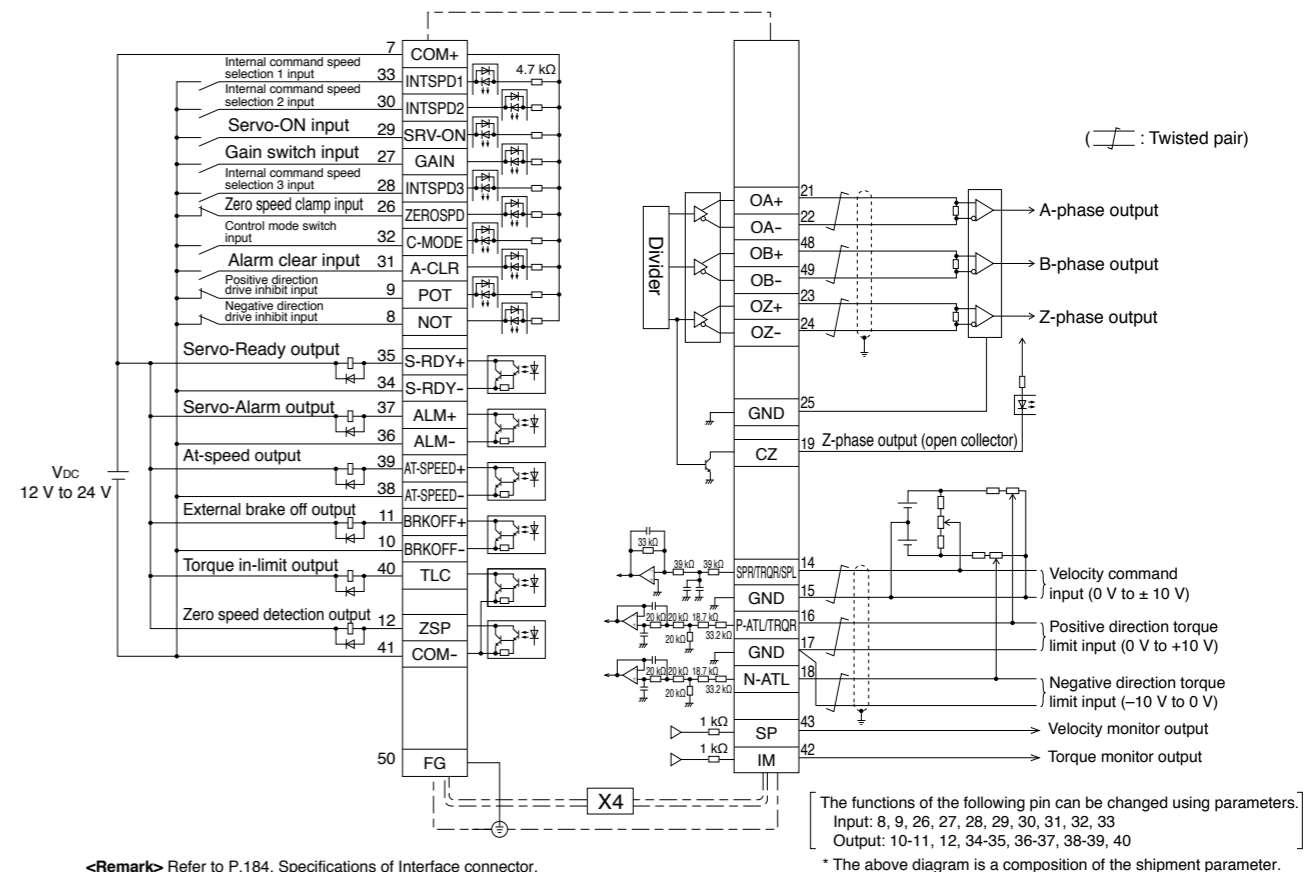
Wiring to the Connector, X4

Wiring Example of Position Control Mode



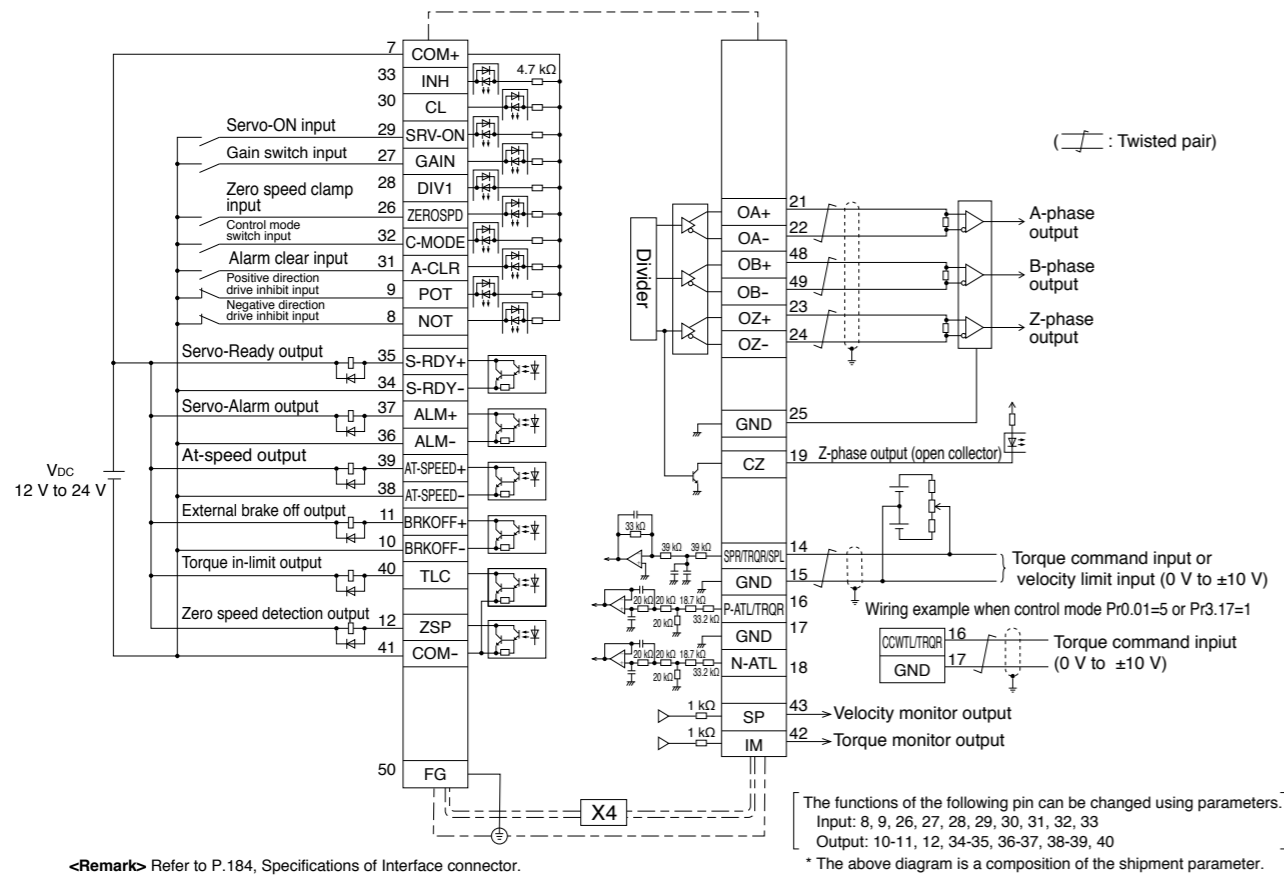
Wiring Example of Velocity Control Mode

\* Excluding A6 SE, A6 SG Series



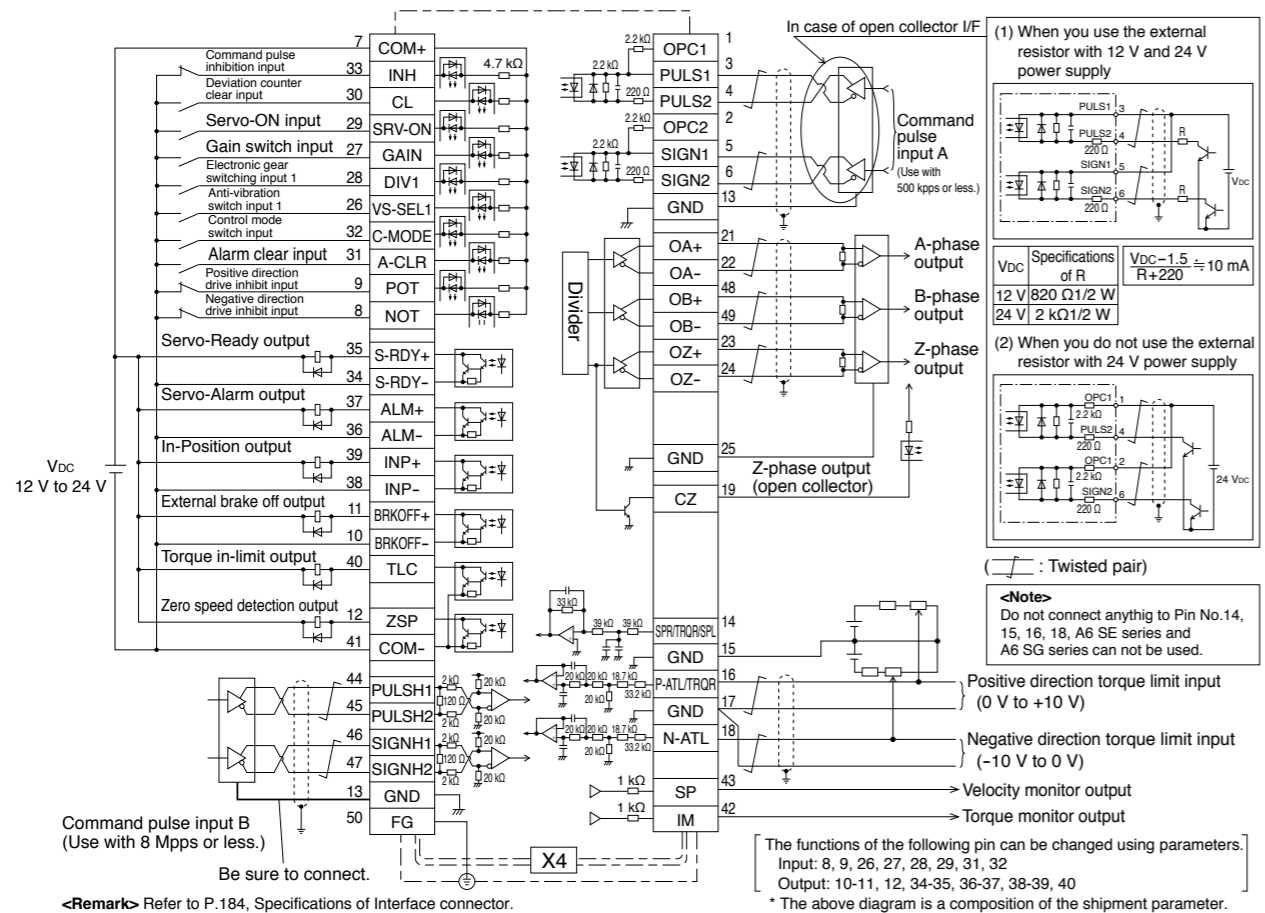
Wiring Example of Torque Control Mode

\* Excluding A6 SE, A6 SG Series



Wiring Example of Full-closed Control Mode

\* Excluding A6 SE, A6 SG Series



\* Excluding A6 SE, A6 SG Series

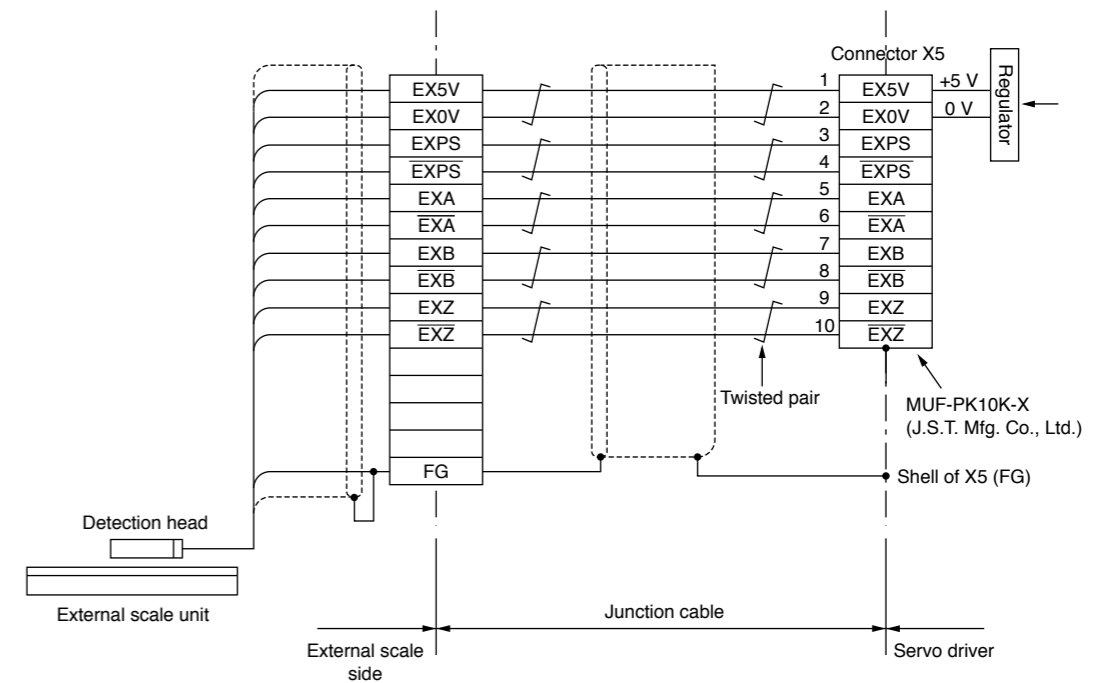
Applicable External Scale

Applicable External Scale	Manufacturer	Model No.	Resolution [μm]	Maximum speed (m/s) <sup>*1</sup>
Parallel type (AB-phase)	General	-	Maximum speed after 4 × multiplication : 4 Mpps	
Serial type (Incremental)	Nidec Sankyo Corporation	PSLH	0.1	6
		SL700-PL101RP/RHP	0.1	10
		SL710-PL101RP/RHP	0.1	10
		SR75	0.01 to 1	3.3
		SR85	0.01 to 1	3.3
Serial type (Absolute)	HEIDENHAIN	LIC2197P/LIC2199P	0.05/0.1	10
		LIC4193P/LIC4195P LIC4197P/LIC4199P	0.001 /0.005 /0.01	10
	Magnescale Co., Ltd.	SR77	0.01 to 1	3.3
		SR87	0.01 to 1	3.3
	Mitutoyo Corporation	AT573A	0.05	2.5
		ST778A(L)	0.1	5
	Renishaw plc	RESOLUTE	0.001	0.4
			0.05	20
	FAGOR AUTOMATION	SAP / SVAP / GAP	0.1	40
			0.05	2.5
LAP		0.1	2	
SAP10/SVAP10/GAP10 LAP10		0.01	3 2	

\*1 The maximum speed is a characteristic of the driver. It is limited by the configuration of the machine and the system.

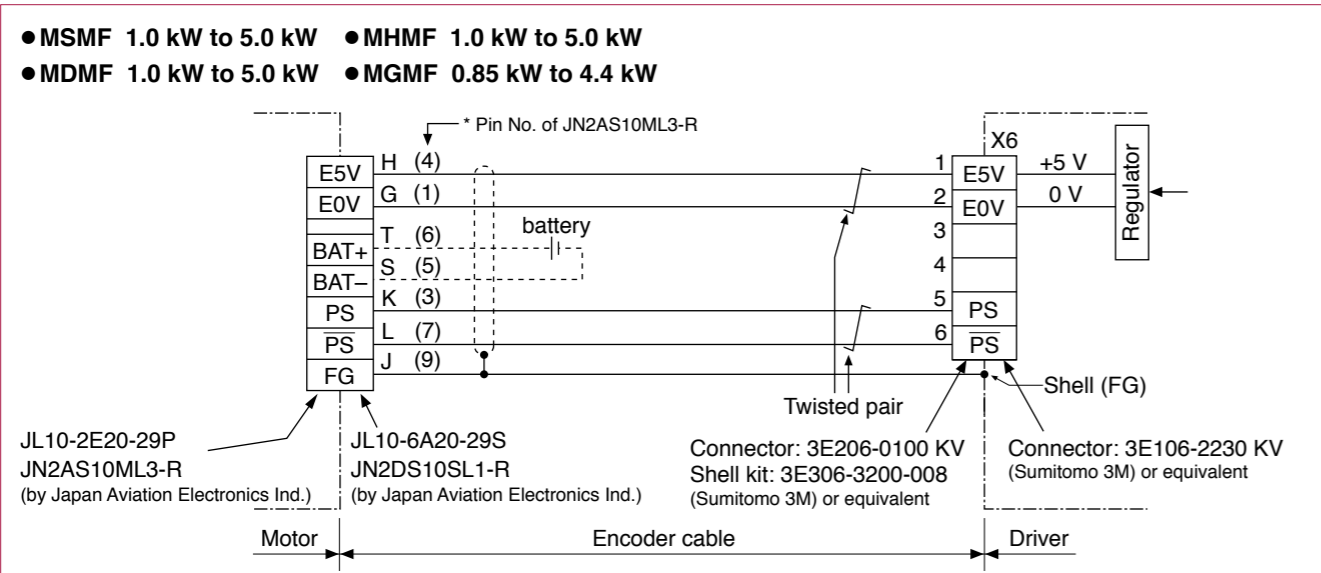
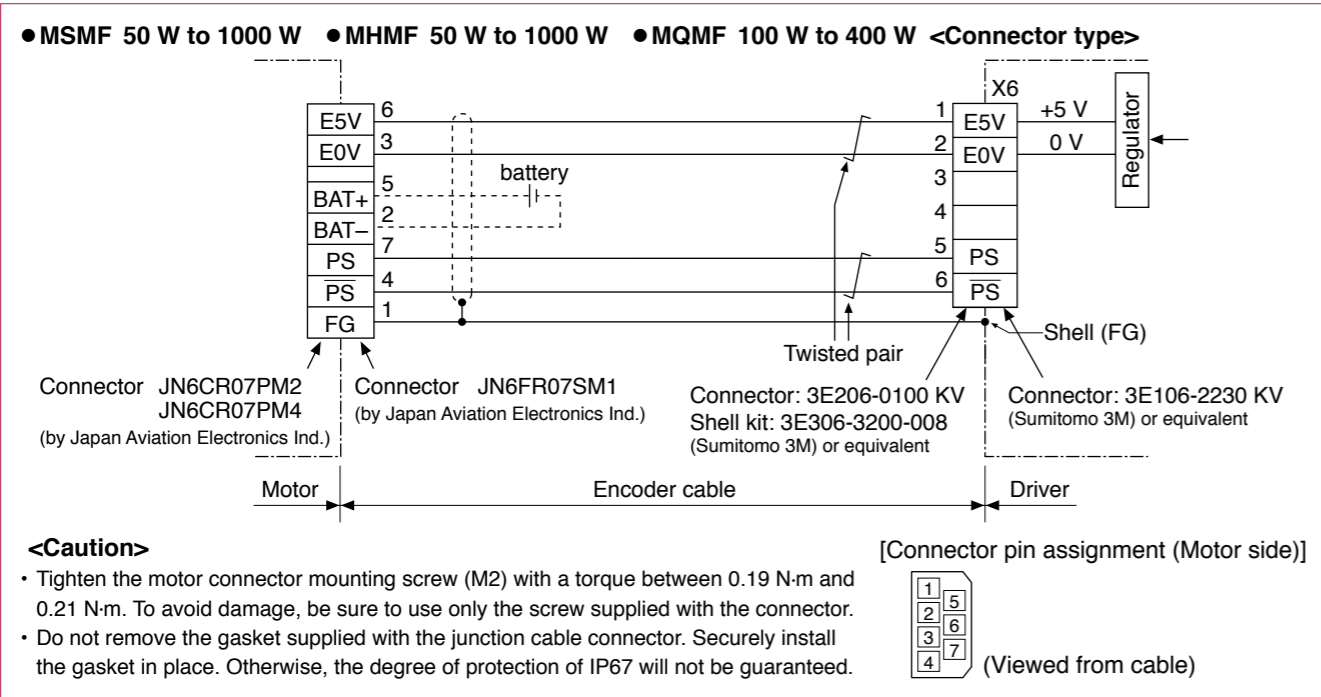
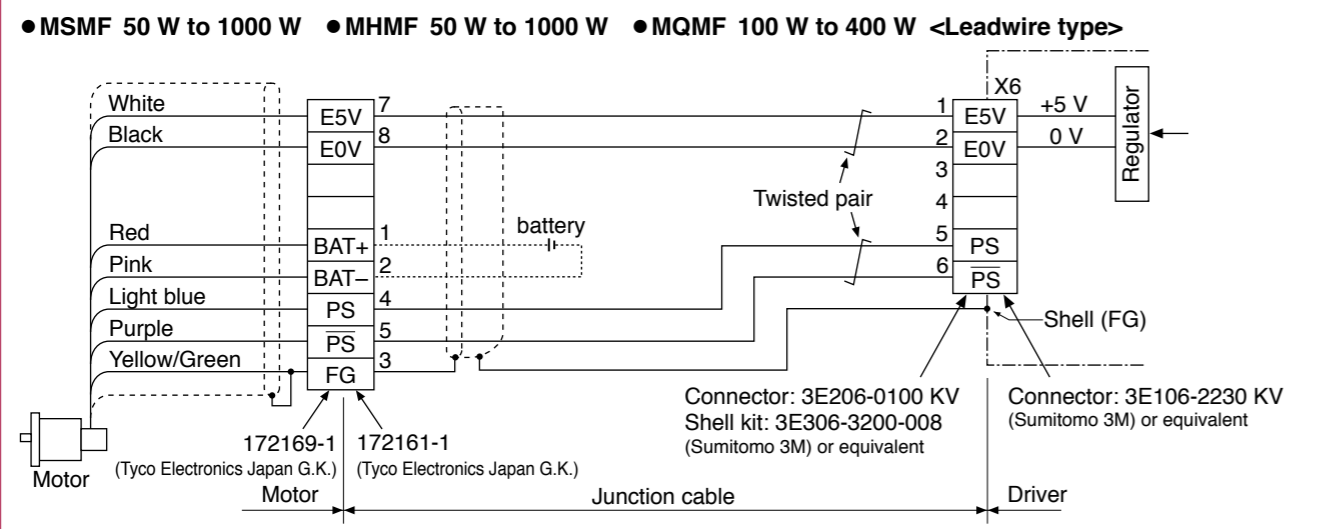
\* For more information about the external scale product, please contact the manufacturer.

Wiring Diagram of X5



When using a 23-bit absolute encoder as an absolute system\*.

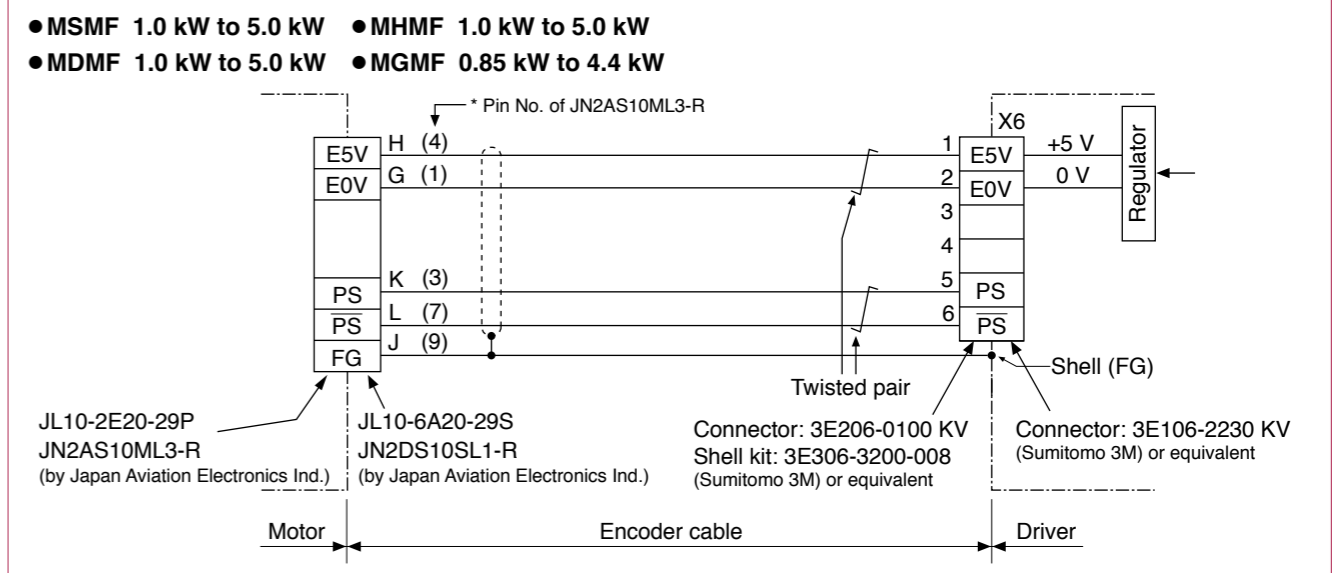
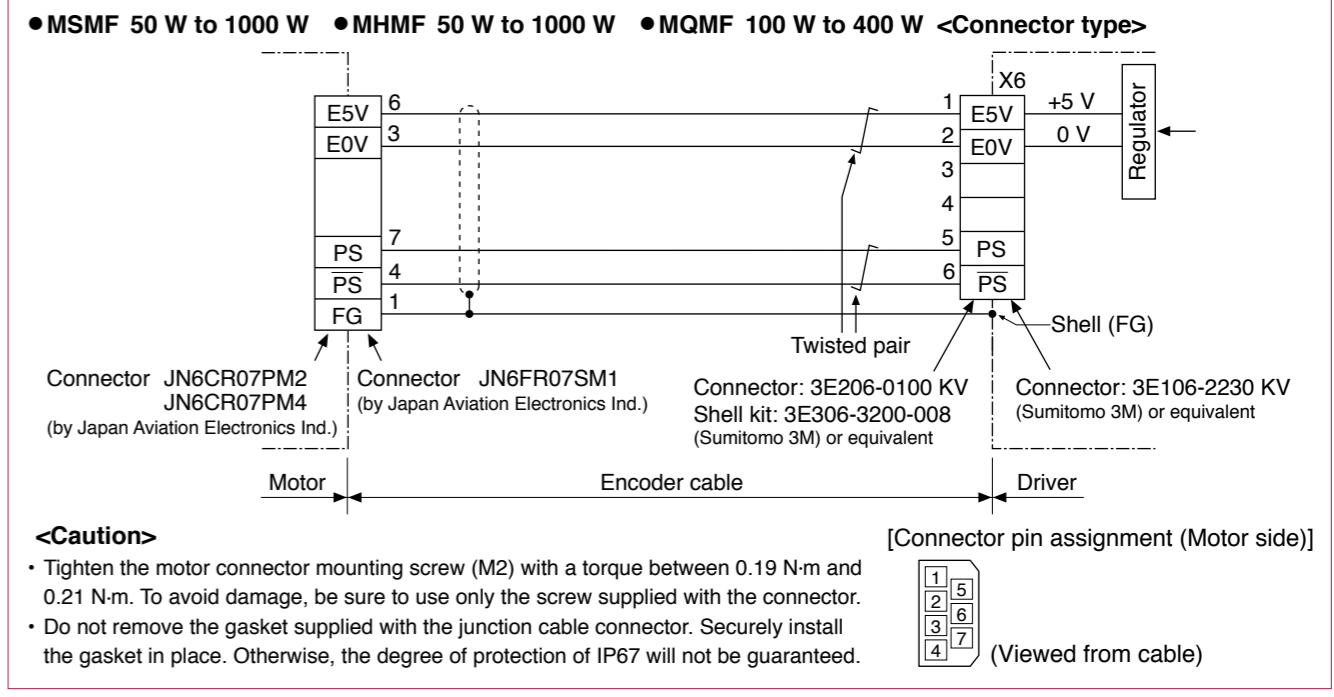
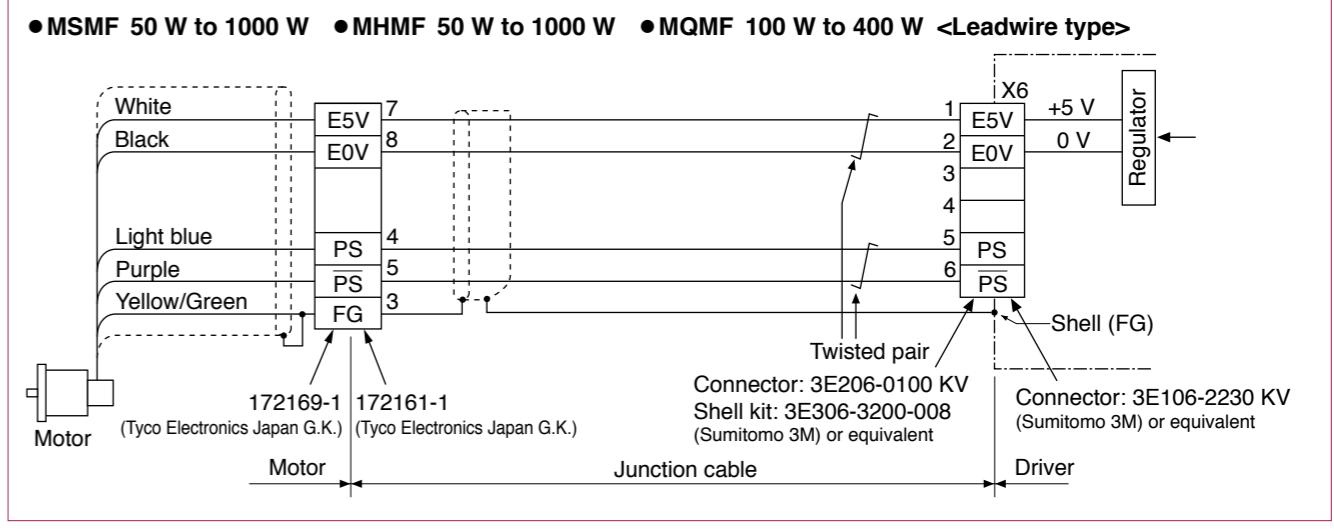
\* When use a multi-turn data.



[Connector pin assignment] Refer to P.169, P.170 "Specifications of Motor connector".

When using a 23-bit absolute encoder as a incremental system\*.

\* When do not use a multi-turn data.



[Connector pin assignment] Refer to P.169, P.170 "Specifications of Motor connector".



\* All dimensions shown in this catalog are for the A6 SF series, but outer dimensions are the same as the A6 SE series. For appearance, refer to P. 19 and P. 20.

A-frame

Unit [mm]

X1: USB connector  
X2: RS232/485 communication connector  
X3: Safety function connector  
X4: Interface connector  
X5: For external scale connection  
X6: For encoder connection

XA: Main power input terminals  
Control power input terminals

XB: Terminals for external regenerative resistor  
Terminals for motor connection

A-frame: Connector of driver side		Multifunction type	RS485 communication type	Basic type
Connector XA	S05B-F32SK-GGXR	J.S.T. Mfg. Co., Ltd.	●	●
Connector XB	S06B-F32SK-GGXR	J.S.T. Mfg. Co., Ltd.	●	●
Connector X1	UB-M5BR-DMP14-4S (or equivalent)	J.S.T. Mfg. Co., Ltd.	●	●
Connector X2	1-2040537-1 (or equivalent)	Tyco Electronics Japan G.K.	●	—
Connector X3	2040537-1 (or equivalent)	Tyco Electronics Japan G.K.	—	—
Connector X4	10250-52A2PE (or equivalent)	Sumitomo 3M	●	●
Connector X5	MUF-RS10DK-GKXR (or equivalent)	J.S.T. Mfg. Co., Ltd.	—	—
Connector X6	3E106-2230 KV (or equivalent)	Sumitomo 3M	●	●

<Attached to the driver>

Connector of power and motor side		Multifunction type	RS485 communication type	Basic type
Connector XA	05JFAT-SAXGF	J.S.T. Mfg. Co., Ltd.	●	●
Connector XB	06JFAT-SAXGF	J.S.T. Mfg. Co., Ltd.	●	●

Mass: 0.8 kg

B-frame

Unit [mm]

XA: ① Main power input terminals  
② Control power input terminals

XB: ① Terminals for external regenerative resistor  
② Terminals for motor connection

X1: USB connector  
X2: RS232/485 communication connector  
X3: Safety function connector  
X4: Interface connector  
X5: For external scale connection  
X6: For encoder connection

Mass: 1.0 kg

C-frame

Unit [mm]

XA: ① Main power input terminals  
② Control power input terminals

XB: ① Terminals for external regenerative resistor  
② Terminals for motor connection

X1: USB connector  
X2: RS232/485 communication connector  
X3: Safety function connector  
X4: Interface connector  
X5: For external scale connection  
X6: For encoder connection

Mass: 1.6 kg

D-frame (200 V)

Unit [mm]

XA: ① Main power input terminals  
② Control power input terminals

XB: ① Terminals for external regenerative resistor  
② Terminals for motor connection

X1: USB connector  
X2: RS232/485 communication connector  
X3: Safety function connector  
X4: Interface connector  
X5: For external scale connection  
X6: For encoder connection

Mass: 2.1 kg

\* All dimensions shown in this catalog are for the A6 SF series, but outer dimensions are the same as the A6 SE series. For appearance, refer to P.19 and P.20.

E-frame (200 V)

Unit [mm]

X1: USB connector  
X2: RS232/485 communication connector  
X3: Safety function connector  
X4: Interface connector  
X5: For external scale connection  
X6: For encoder connection

XA: ① Main power input terminals  
② Control power input terminals  
XB: Terminals for motor connection  
XC: Terminals for external regenerative resistor

E-frame: Connector of driver side		
Connector XA	S05B-JTSLSK-GSANXR	J.S.T. Mfg. Co., Ltd.
Connector XB	S03B-JTSLSK-GSANXR	J.S.T. Mfg. Co., Ltd.
Connector XC	S04B-JTSLSS-GSANXR	J.S.T. Mfg. Co., Ltd.

<Attached to the driver>

E-frame: Connector of power and motor side		
Connector XA	05JFAT-SAXGSA-L	J.S.T. Mfg. Co., Ltd.
Connector XB	03JFAT-SAXGSA-L	J.S.T. Mfg. Co., Ltd.
Connector XC	04JFAT-SAXGSA-L	J.S.T. Mfg. Co., Ltd.

\* For connectors X1 to X6 for connection to the driver, refer to the those listed in the A-frame table because both frames use the same connectors. Mass: 2.5 kg

F-frame (200 V)

Unit [mm]

X1: USB connector  
X2: RS232/485 communication connector  
X3: Safety function connector  
X4: Interface connector  
X5: For external scale connection  
X6: For encoder connection

① Main power input terminals  
② Control power input terminals  
③ Terminals for external regenerative resistor  
④ Terminals for motor connection

\* For connectors X1 to X6 for connection to the driver, refer to the those listed in the A-frame table because both frames use the same connectors. Mass: 4.8 kg

Motor Contents

**MSMF**  
50 W to 5.0 kW ..... P.51

**MQMF**  
100 W to 400 W ..... P.67

**MHMF**  
50 W to 5.0 kW ..... P.73

**MDMF**  
1.0 kW to 5.0 kW ..... P.89

**MGMF**  
0.85 kW to 4.4 kW ..... P.95

**Dimensions**  
MSMF (50 W to 1000 W)  
Connector type ..... P.100

MSMF (1.0 kW to 5.0 kW)  
Small size connector ..... P.102

MQMF (100 W to 400 W)  
Leadwire type  
with protective lip/ with oil seal  
..... P.103

MQMF (100 W to 400 W)  
Connector type ..... P.104

MHMF (750 W, 1000 W)  
Leadwire type  
with oil seal ..... P.106

MHMF (50 W to 1000 W)  
Leadwire type  
with protective lip/ with oil seal  
..... P.107

MHMF (50 W to 1000 W)  
Connector type ..... P.109

MHMF (1.0 kW to 5.0 kW)  
Small size connector ..... P.112

MDMF (1.0 kW to 5.0 kW)  
Small size connector ..... P.113

MGMF (0.85 kW to 4.4 kW)  
Small size connector ..... P.114

**Motor Specification Description**

Environmental Conditions... P.165  
Notes on [Motor specification] page ..... P.165  
Permissible Load at Output Shaft ..... P.166  
Built-in Holding Brake ..... P.167

Features/ Lineup

Features

- Line-up IP67 motor: 50 W to 5.0 kW
- Max speed: 6500r/min (MHMF 50 W to 400 W)
- Low inertia (MSMF) to High inertia (MHMF).
- Low cogging torque: Rated torque ratio 0.5 % (typical value).
- 23-bit absolute encoder (8388608 pulse).

Motor Lineup

80 mm sq. or less	<p><b>MSMF Low inertia</b></p> <p>Max. speed : 6000 r/min Rated speed : 3000 r/min Rated output : 50 W to 1000 W Enclosure : IP65: Leadwire type IP67: Connector type</p>	<p><b>MQMF (Flat type) Middle inertia</b></p> <p>Max. speed : 6500 r/min Rated speed : 3000 r/min Rated output : 100 W to 400 W Enclosure : IP65: Leadwire type IP67: Connector type</p>	<p><b>MHMF High inertia</b></p> <p>Max. speed : 6500 r/min 6000 r/min (750 W, 1000 W) Rated speed : 3000 r/min Rated output : 50 W to 1000 W Enclosure : IP65: Leadwire type IP67: Connector type</p>	
	100 mm sq. or more	<p><b>MSMF Low inertia</b></p> <p>Max. speed : 5000 r/min 4500 r/min (4.0 kW, 5.0 kW) Rated speed : 3000 r/min Rated output : 1.0 kW to 5.0 kW Enclosure : IP67: Connector type</p>	<p><b>MDMF Middle inertia</b></p> <p>Max. speed : 3000 r/min Rated speed : 2000 r/min Rated output : 1.0 kW to 5.0 kW Enclosure : IP67: Connector type</p>	<p><b>MGMF (Low speed/ High torque type) Middle inertia</b></p> <p>Max. speed : 3000 r/min Rated speed : 1500 r/min Rated output : 0.85 kW to 4.4 kW Enclosure : IP67: Connector type</p>

Specifications

		AC100 V
Motor model <sup>1)</sup>	IP65	MSMF5AZL1□□
Applicable driver	Model No.	MADLT01SF
	Multifunction type	MADLN01SG
	RS485 communication type <sup>2)</sup>	MADLN01SE
	Basic type <sup>2)</sup>	
	Frame symbol	A-frame
Power supply capacity	(kVA)	0.4
Rated output	(W)	50
Rated torque	(N·m)	0.16
Continuous stall torque	(N·m)	0.16
Momentary Max. peak torque	(N·m)	0.48
Rated current	(A(rms))	1.1
Max. current	(A(o-p))	4.7
Regenerative brake frequency (times/min) <sup>Note)1</sup>	Without option	No limit <sup>Note)2</sup>
	DV0P4280	No limit <sup>Note)2</sup>
Rated rotational speed	(r/min)	3000
Max. rotational speed	(r/min)	6000
Moment of inertia of rotor (×10 <sup>-4</sup> kg·m <sup>2</sup> )	Without brake	0.026
	With brake	0.029
Recommended moment of inertia ratio of the load and the rotor <sup>Note)3</sup>		30 times or less
Rotary encoder specifications <sup>3)</sup>		23-bit Absolute
	Resolution per single turn	8388608

• Brake specifications (For details, refer to P.167)

(This brake will be released when it is energized.)  
(Do not use this for braking the motor in motion.)

Static friction torque (N·m)	0.294 or more
Engaging time (ms)	35 or less
Releasing time (ms) <sup>Note)4</sup>	20 or less
Exciting current (DC) (A)	0.30
Releasing voltage (DC) (V)	1 or more
Exciting voltage (DC) (V)	24±1.2

• Permissible load (For details, refer to P.166)

During assembly	Radial load P-direction (N)	147
	Thrust load A-direction (N)	88.0
	Thrust load B-direction (N)	117.6
During operation	Radial load P-direction (N)	68.6
	Thrust load A, B-direction (N)	58.8

• For details of Note)1 to Note)4, refer to P.165.

• Dimensions of Driver, refer to P.47.

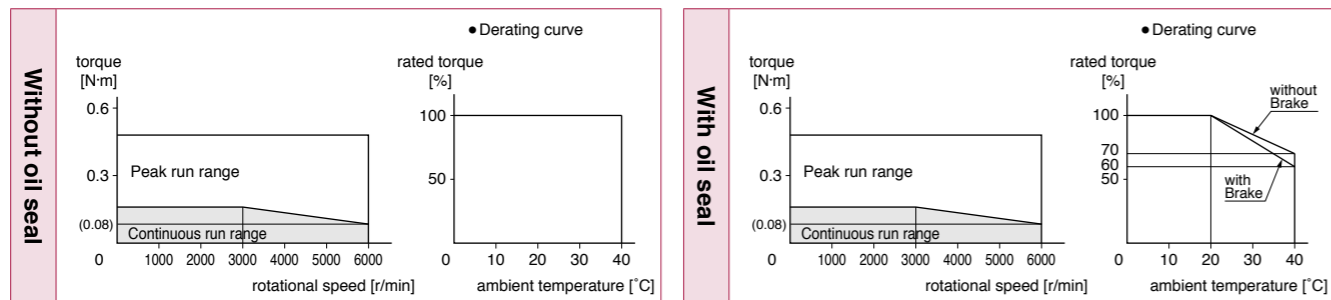
\*1 □□ in the motor part number represents the motor specifications.

\*2 Basic type and RS485 communication type are "Position control type".

Detail of model designation, refer to P.18.

\*3 When using a rotary encoder as an incremental system (not using multi-turn data), do not connect a battery for absolute encoder.

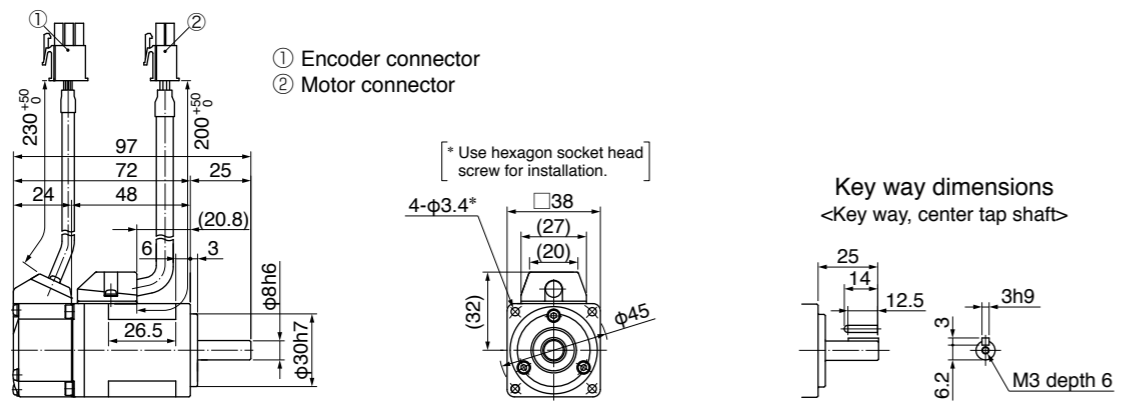
Torque characteristics (at AC100 V of power voltage <Dotted line represents the torque at 10 % less supply voltage.>)



Dimensions

<without Brake>

Mass: 0.32 kg



For connector type IP67 motors, refer to P.100.

• For the dimensions with brake, refer to the right page.

<Cautions> Reduce the moment of inertia ratio if high speed response operation is required. Dimensions are subject to change without notice. Contact us or a dealer for the latest information. Read the Instruction Manual carefully and understand all precautions and remarks before using the products.

Specifications

		AC200 V
Motor model <sup>1)</sup>	IP65	MSMF5AZL1□□
Applicable driver	Model No.	MADLT05SF
	Multifunction type	MADLN05SG
	RS485 communication type <sup>2)</sup>	MADLN05SE
	Basic type <sup>2)</sup>	
	Frame symbol	A-frame
Power supply capacity	(kVA)	0.5
Rated output	(W)	50
Rated torque	(N·m)	0.16
Continuous stall torque	(N·m)	0.16
Momentary Max. peak torque	(N·m)	0.48
Rated current	(A(rms))	1.1
Max. current	(A(o-p))	4.7
Regenerative brake frequency (times/min) <sup>Note)1</sup>	Without option	No limit <sup>Note)2</sup>
	DV0P4281	No limit <sup>Note)2</sup>
Rated rotational speed	(r/min)	3000
Max. rotational speed	(r/min)	6000
Moment of inertia of rotor (×10 <sup>-4</sup> kg·m <sup>2</sup> )	Without brake	0.026
	With brake	0.029
Recommended moment of inertia ratio of the load and the rotor <sup>Note)3</sup>		30 times or less
Rotary encoder specifications <sup>3)</sup>		23-bit Absolute
	Resolution per single turn	8388608

• Brake specifications (For details, refer to P.167)

(This brake will be released when it is energized.)  
(Do not use this for braking the motor in motion.)

Static friction torque (N·m)	0.294 or more
Engaging time (ms)	35 or less
Releasing time (ms) <sup>Note)4</sup>	20 or less
Exciting current (DC) (A)	0.30
Releasing voltage (DC) (V)	1 or more
Exciting voltage (DC) (V)	24±1.2

• Permissible load (For details, refer to P.166)

During assembly	Radial load P-direction (N)	147
	Thrust load A-direction (N)	88.0
	Thrust load B-direction (N)	117.6
During operation	Radial load P-direction (N)	68.6
	Thrust load A, B-direction (N)	58.8

• For details of Note)1 to Note)4, refer to P.165.

• Dimensions of Driver, refer to P.47.

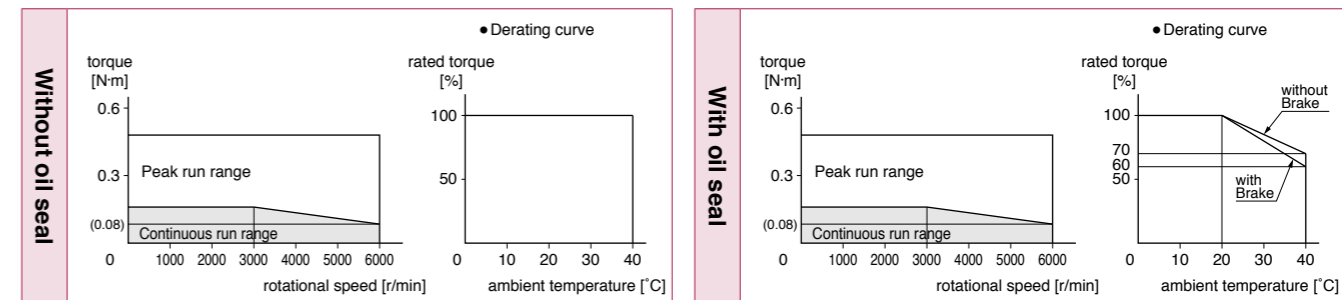
\*1 □□ in the motor part number represents the motor specifications.

\*2 Basic type and RS485 communication type are "Position control type".

Detail of model designation, refer to P.18.

\*3 When using a rotary encoder as an incremental system (not using multi-turn data), do not connect a battery for absolute encoder.

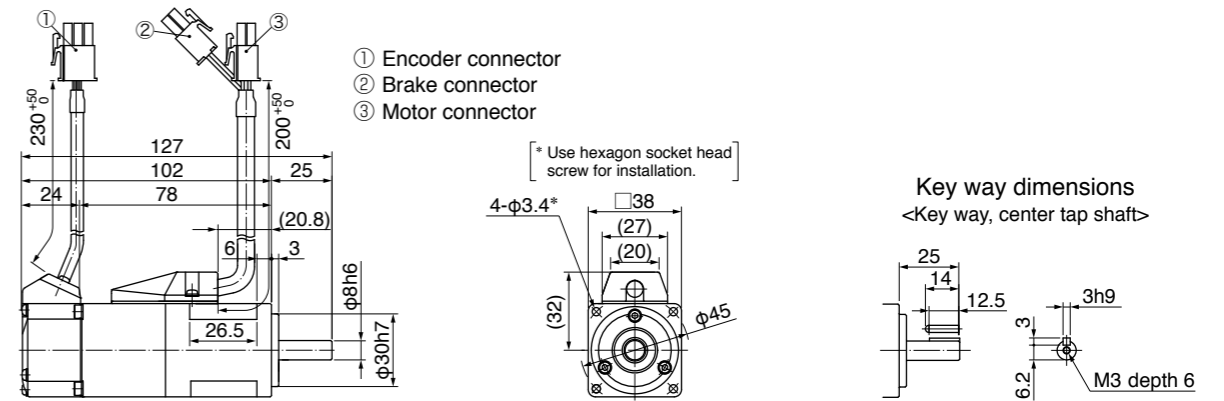
Torque characteristics (at AC200 V of power voltage <Dotted line represents the torque at 10 % less supply voltage.>)



Dimensions

<with brake>

Mass: 0.53 kg



For connector type IP67 motors, refer to P.100.

• For the dimensions without brake, refer to the left page.

<Cautions> Reduce the moment of inertia ratio if high speed response operation is required. Dimensions are subject to change without notice. Contact us or a dealer for the latest information. Read the Instruction Manual carefully and understand all precautions and remarks before using the products.

Specifications

		AC100 V
Motor model <sup>1)</sup>	IP65	MSMF011L1□□
Applicable driver	Model No.	Multifunction type MADLT11SF
		RS485 communication type <sup>2)</sup> MADLN11SG
		Basic type <sup>2)</sup> MADLN11SE
	Frame symbol	A-frame
Power supply capacity	(kVA)	0.4
Rated output	(W)	100
Rated torque	(N·m)	0.32
Continuous stall torque	(N·m)	0.32
Momentary Max. peak torque	(N·m)	0.95
Rated current	(A(rms))	1.6
Max. current	(A(o-p))	6.9
Regenerative brake frequency (times/min) <sup>Note)1</sup>	Without option	No limit <sup>Note)2</sup>
	DV0P4280	No limit <sup>Note)2</sup>
Rated rotational speed	(r/min)	3000
Max. rotational speed	(r/min)	6000
Moment of inertia of rotor (×10 <sup>-4</sup> kg·m <sup>2</sup> )	Without brake	0.048
	With brake	0.051
Recommended moment of inertia ratio of the load and the rotor <sup>Note)3</sup>		30 times or less
Rotary encoder specifications <sup>3)</sup>		23-bit Absolute
	Resolution per single turn	8388608

• **Brake specifications** (For details, refer to P.167)  
(This brake will be released when it is energized.)  
(Do not use this for braking the motor in motion.)

Static friction torque (N·m)	0.294 or more
Engaging time (ms)	35 or less
Releasing time (ms) <sup>Note)4</sup>	20 or less
Exciting current (DC) (A)	0.30
Releasing voltage (DC) (V)	1 or more
Exciting voltage (DC) (V)	24±1.2

• **Permissible load** (For details, refer to P.166)

During assembly	Radial load P-direction (N)	147
	Thrust load A-direction (N)	88.0
	Thrust load B-direction (N)	117.6
During operation	Radial load P-direction (N)	68.6
	Thrust load A, B-direction (N)	58.8

• For details of Note)1 to Note)4, refer to P.165.  
• Dimensions of Driver, refer to P.47.

\*1 □□ in the motor part number represents the motor specifications.

\*2 Basic type and RS485 communication type are "Position control type".

Detail of model designation, refer to P.18.

\*3 When using a rotary encoder as an incremental system (not using multi-turn data), do not connect a battery for absolute encoder.

Specifications

		AC200 V
Motor model <sup>1)</sup>	IP65	MSMF012L1□□
Applicable driver	Model No.	Multifunction type MADLT05SF
		RS485 communication type <sup>2)</sup> MADLN05SG
		Basic type <sup>2)</sup> MADLN05SE
	Frame symbol	A-frame
Power supply capacity	(kVA)	0.5
Rated output	(W)	100
Rated torque	(N·m)	0.32
Continuous stall torque	(N·m)	0.32
Momentary Max. peak torque	(N·m)	0.95
Rated current	(A(rms))	1.1
Max. current	(A(o-p))	4.7
Regenerative brake frequency (times/min) <sup>Note)1</sup>	Without option	No limit <sup>Note)2</sup>
	DV0P4281	No limit <sup>Note)2</sup>
Rated rotational speed	(r/min)	3000
Max. rotational speed	(r/min)	6000
Moment of inertia of rotor (×10 <sup>-4</sup> kg·m <sup>2</sup> )	Without brake	0.048
	With brake	0.051
Recommended moment of inertia ratio of the load and the rotor <sup>Note)3</sup>		30 times or less
Rotary encoder specifications <sup>3)</sup>		23-bit Absolute
	Resolution per single turn	8388608

• **Brake specifications** (For details, refer to P.167)  
(This brake will be released when it is energized.)  
(Do not use this for braking the motor in motion.)

Static friction torque (N·m)	0.294 or more
Engaging time (ms)	35 or less
Releasing time (ms) <sup>Note)4</sup>	20 or less
Exciting current (DC) (A)	0.30
Releasing voltage (DC) (V)	1 or more
Exciting voltage (DC) (V)	24±1.2

• **Permissible load** (For details, refer to P.166)

During assembly	Radial load P-direction (N)	147
	Thrust load A-direction (N)	88.0
	Thrust load B-direction (N)	117.6
During operation	Radial load P-direction (N)	68.6
	Thrust load A, B-direction (N)	58.8

• For details of Note)1 to Note)4, refer to P.165.  
• Dimensions of Driver, refer to P.47.

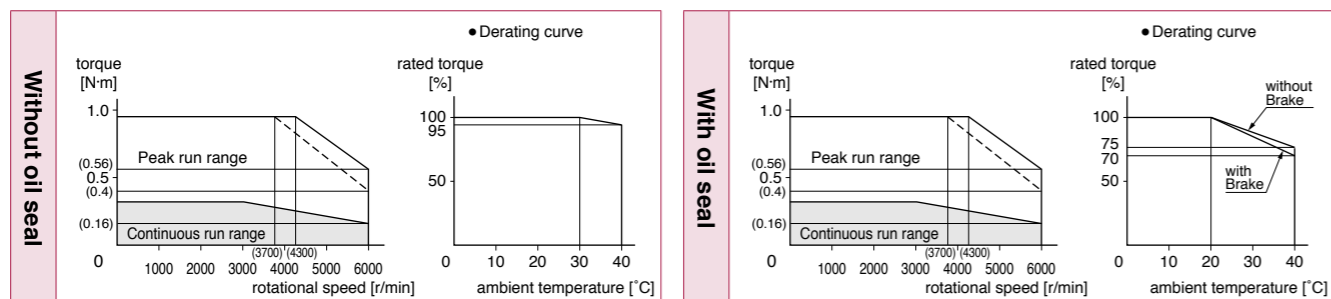
\*1 □□ in the motor part number represents the motor specifications.

\*2 Basic type and RS485 communication type are "Position control type".

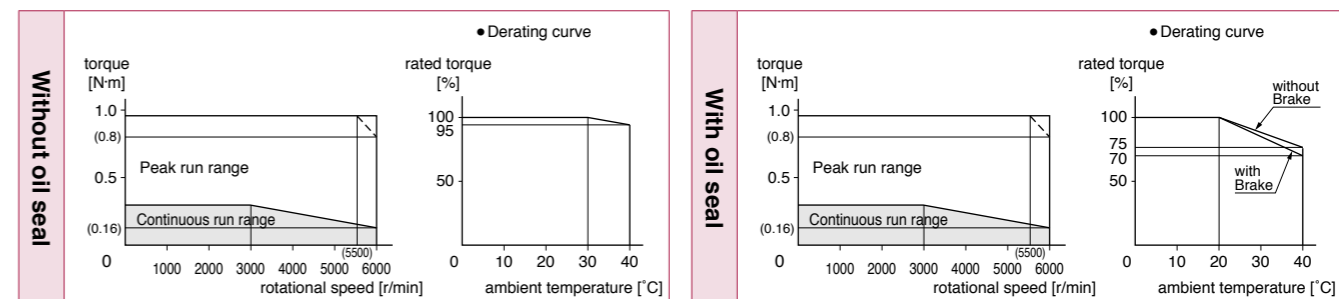
Detail of model designation, refer to P.18.

\*3 When using a rotary encoder as an incremental system (not using multi-turn data), do not connect a battery for absolute encoder.

Torque characteristics (at AC100 V of power voltage <Dotted line represents the torque at 10% less supply voltage.>)



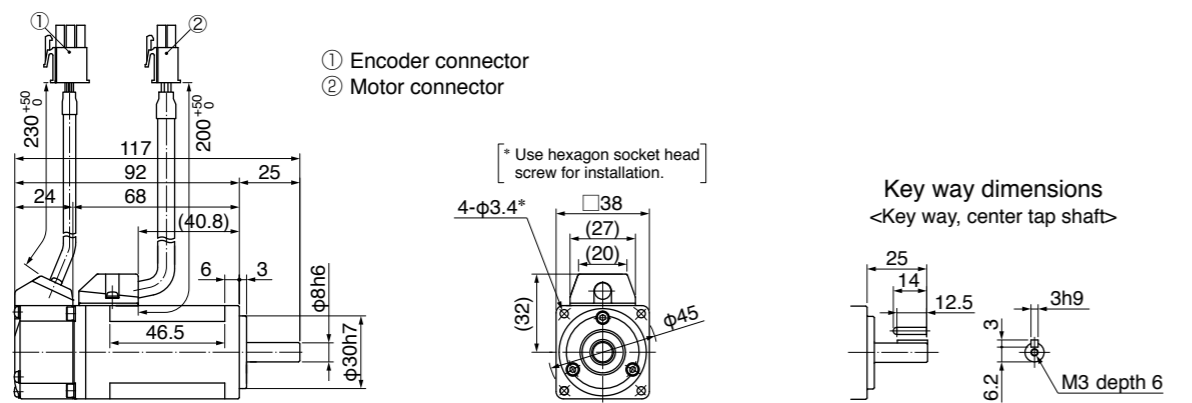
Torque characteristics (at AC200 V of power voltage <Dotted line represents the torque at 10% less supply voltage.>)



Dimensions

<without brake>

Mass: 0.47 kg



For connector type IP67 motors, refer to P.100.

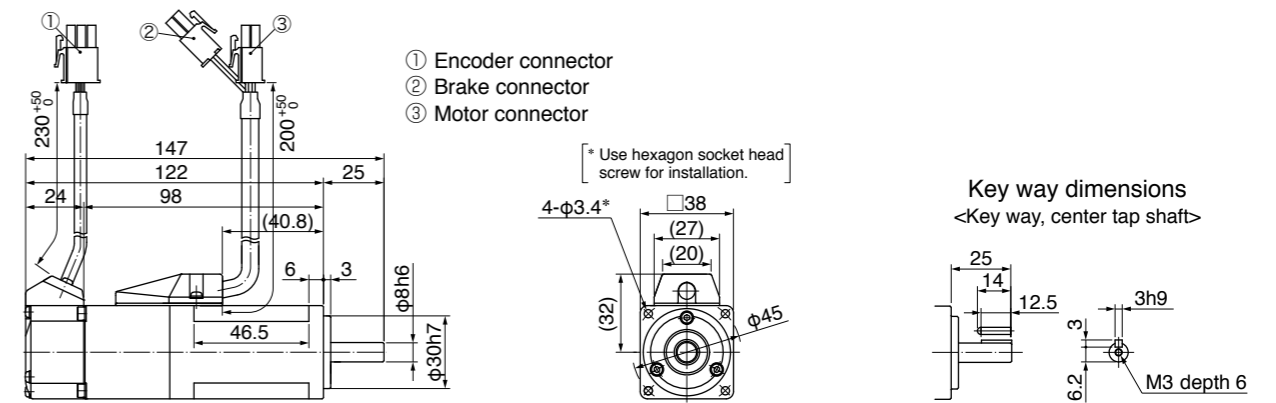
• For the dimensions with brake, refer to the right page.

<Cautions> Reduce the moment of inertia ratio if high speed response operation is required. Dimensions are subject to change without notice. Contact us or a dealer for the latest information. Read the Instruction Manual carefully and understand all precautions and remarks before using the products.

Dimensions

<with brake>

Mass: 0.68 kg



For connector type IP67 motors, refer to P.100.

• For the dimensions without brake, refer to the left page.

<Cautions> Reduce the moment of inertia ratio if high speed response operation is required. Dimensions are subject to change without notice. Contact us or a dealer for the latest information. Read the Instruction Manual carefully and understand all precautions and remarks before using the products.

Specifications

		AC100 V
Motor model <sup>*1</sup>	IP65	MSMF021L1□□
Applicable driver	Model No.	
	Multifunction type	MBDLT21SF
	RS485 communication type <sup>*2</sup>	MBDLN21SG
	Basic type <sup>*2</sup>	MBDLN21SE
	Frame symbol	B-frame
Power supply capacity	(kVA)	0.5
Rated output	(W)	200
Rated torque	(N·m)	0.64
Continuous stall torque	(N·m)	0.64
Momentary Max. peak torque	(N·m)	1.91
Rated current	(A(rms))	2.5
Max. current	(A(o-p))	10.6
Regenerative brake frequency (times/min) <sup>Note)1</sup>	Without option	No limit <sup>Note)2</sup>
	DV0P4283	No limit <sup>Note)2</sup>
Rated rotational speed	(r/min)	3000
Max. rotational speed	(r/min)	6000
Moment of inertia of rotor (×10 <sup>-4</sup> kg·m <sup>2</sup> )	Without brake	0.14
	With brake	0.17
Recommended moment of inertia ratio of the load and the rotor <sup>Note)3</sup>		30 times or less
Rotary encoder specifications <sup>*3</sup>		23-bit Absolute
	Resolution per single turn	8388608

• **Brake specifications** (For details, refer to P.167)  
 (This brake will be released when it is energized.)  
 (Do not use this for braking the motor in motion.)

Static friction torque (N·m)	1.27 or more
Engaging time (ms)	50 or less
Releasing time (ms) <sup>Note)4</sup>	15 or less
Exciting current (DC) (A)	0.36
Releasing voltage (DC) (V)	1 or more
Exciting voltage (DC) (V)	24±1.2

• **Permissible load** (For details, refer to P.166)

During assembly	Radial load P-direction (N)	392
	Thrust load A-direction (N)	147
	Thrust load B-direction (N)	196
During operation	Radial load P-direction (N)	245
	Thrust load A, B-direction (N)	98.0

• For details of Note)1 to Note)4, refer to P.165.  
 • Dimensions of Driver, refer to P.47.

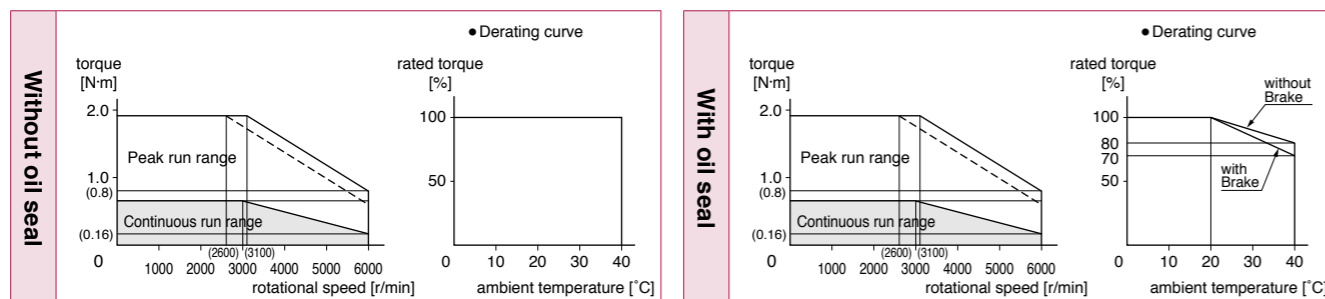
\*1 □□ in the motor part number represents the motor specifications.

\*2 Basic type and RS485 communication type are "Position control type".

Detail of model designation, refer to P.18.

\*3 When using a rotary encoder as an incremental system (not using multi-turn data), do not connect a battery for absolute encoder.

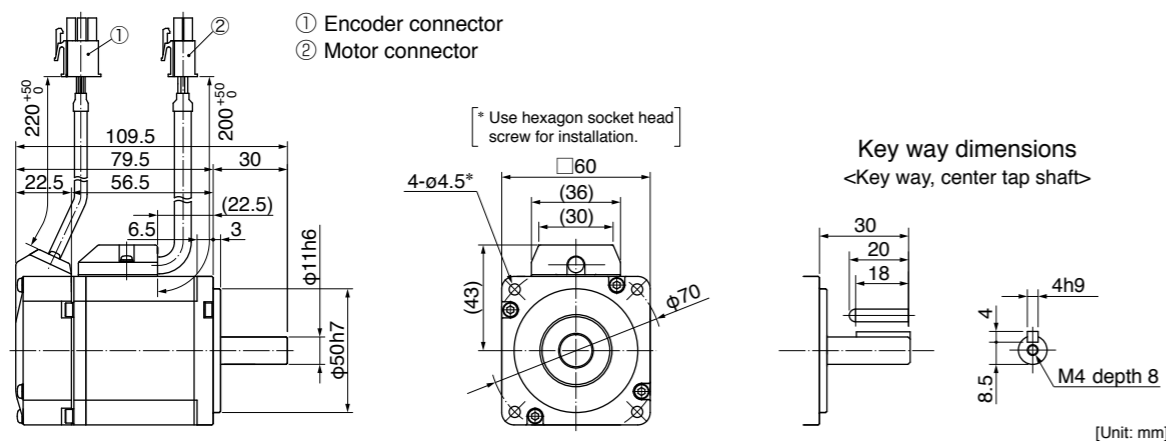
Torque characteristics (at AC100 V of power voltage <Dotted line represents the torque at 10% less supply voltage.>)



Dimensions

<without brake>

Mass: 0.82 kg



For connector type IP67 motors, refer to P.100.

• For the dimensions with brake, refer to the right page.

<Cautions> Reduce the moment of inertia ratio if high speed response operation is required. Dimensions are subject to change without notice. Contact us or a dealer for the latest information. Read the Instruction Manual carefully and understand all precautions and remarks before using the products.

Specifications

		AC200 V
Motor model <sup>*1</sup>	IP65	MSMF022L1□□
Applicable driver	Model No.	
	Multifunction type	MADLT15SF
	RS485 communication type <sup>*2</sup>	MADLN15SG
	Basic type <sup>*2</sup>	MADLN15SE
	Frame symbol	A-frame
Power supply capacity	(kVA)	0.5
Rated output	(W)	200
Rated torque	(N·m)	0.64
Continuous stall torque	(N·m)	0.64
Momentary Max. peak torque	(N·m)	1.91
Rated current	(A(rms))	1.5
Max. current	(A(o-p))	6.5
Regenerative brake frequency (times/min) <sup>Note)1</sup>	Without option	No limit <sup>Note)2</sup>
	DV0P4283	No limit <sup>Note)2</sup>
Rated rotational speed	(r/min)	3000
Max. rotational speed	(r/min)	6000
Moment of inertia of rotor (×10 <sup>-4</sup> kg·m <sup>2</sup> )	Without brake	0.14
	With brake	0.17
Recommended moment of inertia ratio of the load and the rotor <sup>Note)3</sup>		30 times or less
Rotary encoder specifications <sup>*3</sup>		23-bit Absolute
	Resolution per single turn	8388608

• **Brake specifications** (For details, refer to P.167)  
 (This brake will be released when it is energized.)  
 (Do not use this for braking the motor in motion.)

Static friction torque (N·m)	1.27 or more
Engaging time (ms)	50 or less
Releasing time (ms) <sup>Note)4</sup>	15 or less
Exciting current (DC) (A)	0.36
Releasing voltage (DC) (V)	1 or more
Exciting voltage (DC) (V)	24±1.2

• **Permissible load** (For details, refer to P.166)

During assembly	Radial load P-direction (N)	392
	Thrust load A-direction (N)	147
	Thrust load B-direction (N)	196
During operation	Radial load P-direction (N)	245
	Thrust load A, B-direction (N)	98.0

• For details of Note)1 to Note)4, refer to P.165.  
 • Dimensions of Driver, refer to P.47.

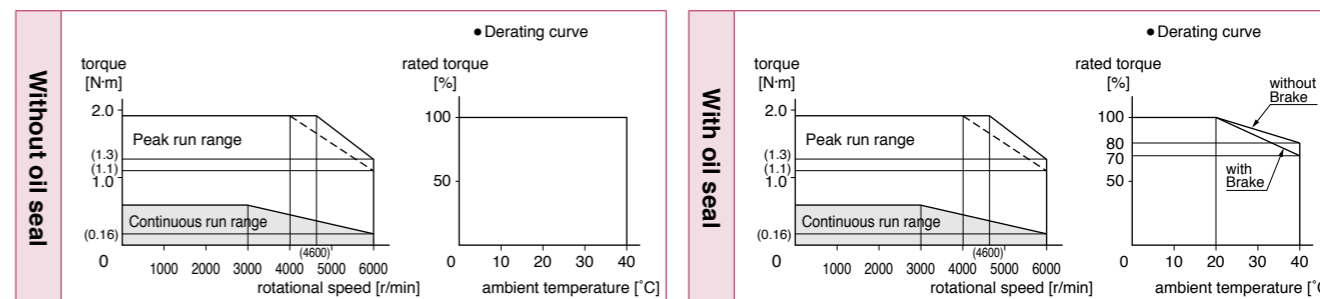
\*1 □□ in the motor part number represents the motor specifications.

\*2 Basic type and RS485 communication type are "Position control type".

Detail of model designation, refer to P.18.

\*3 When using a rotary encoder as an incremental system (not using multi-turn data), do not connect a battery for absolute encoder.

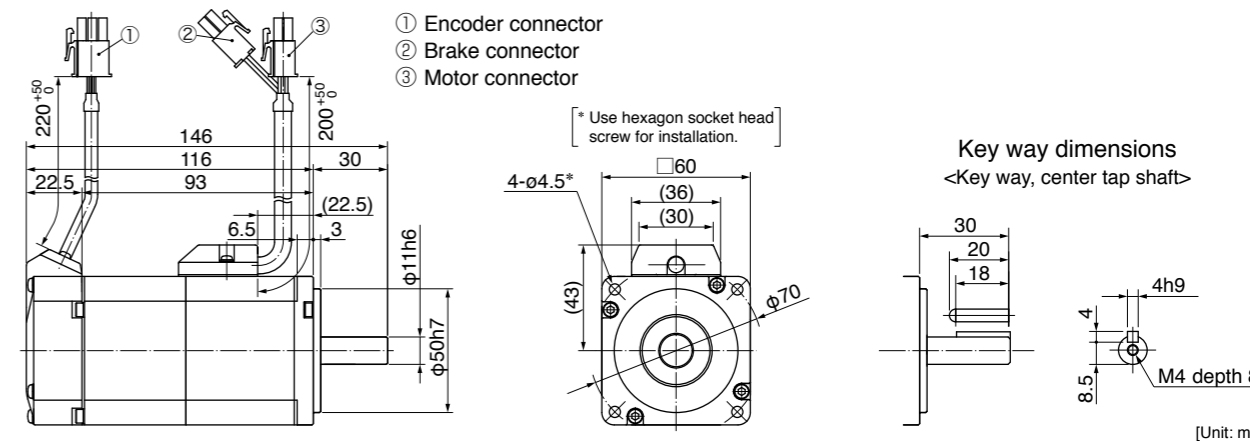
Torque characteristics (at AC200 V of power voltage <Dotted line represents the torque at 10% less supply voltage.>)



Dimensions

<with brake>

Mass: 1.3 kg



For connector type IP67 motors, refer to P.100.

• For the dimensions without brake, refer to the left page.

<Cautions> Reduce the moment of inertia ratio if high speed response operation is required. Dimensions are subject to change without notice. Contact us or a dealer for the latest information. Read the Instruction Manual carefully and understand all precautions and remarks before using the products.

Specifications

Motor model <sup>1)</sup>		IP65	MSMF041L1□□
Applicable driver	Model No.	Multifunction type	MCDLT31SF
		RS485 communication type <sup>2)</sup>	MCDLN31SG
		Basic type <sup>2)</sup>	MCDLN31SE
	Frame symbol	C-frame	
Power supply capacity	(kVA)	0.9	
Rated output	(W)	400	
Rated torque	(N·m)	1.27	
Continuous stall torque	(N·m)	1.27	
Momentary Max. peak torque	(N·m)	3.82	
Rated current	(A(rms))	4.6	
Max. current	(A(o-p))	19.5	
Regenerative brake frequency (times/min) <sup>Note)1</sup>	Without option	No limit <sup>Note)2</sup>	
	DV0P4282	No limit <sup>Note)2</sup>	
Rated rotational speed	(r/min)	3000	
Max. rotational speed	(r/min)	6000	
Moment of inertia of rotor (×10 <sup>-4</sup> kg·m <sup>2</sup> )	Without brake	0.27	
	With brake	0.30	
Recommended moment of inertia ratio of the load and the rotor	<sup>Note)3</sup>	30 times or less	
Rotary encoder specifications <sup>3)</sup>	Resolution per single turn		8388608

• **Brake specifications** (For details, refer to P.167)  
(This brake will be released when it is energized.)  
(Do not use this for braking the motor in motion.)

Static friction torque (N·m)	1.27 or more
Engaging time (ms)	50 or less
Releasing time (ms) <sup>Note)4</sup>	15 or less
Exciting current (DC) (A)	0.36
Releasing voltage (DC) (V)	1 or more
Exciting voltage (DC) (V)	24±1.2

• **Permissible load** (For details, refer to P.166)

During assembly	Radial load P-direction (N)	392
	Thrust load A-direction (N)	147
	Thrust load B-direction (N)	196
During operation	Radial load P-direction (N)	245
	Thrust load A, B-direction (N)	98.0

• For details of Note)1 to Note)4, refer to P.165.  
• Dimensions of Driver, refer to P.48.

\*1 □□ in the motor part number represents the motor specifications.

\*2 Basic type and RS485 communication type are "Position control type".

Detail of model designation, refer to P.18.

\*3 When using a rotary encoder as an incremental system (not using multi-turn data), do not connect a battery for absolute encoder.

Specifications

Motor model <sup>1)</sup>		IP65	MSMF042L1□□
Applicable driver	Model No.	Multifunction type	MBDLT25SF
		RS485 communication type <sup>2)</sup>	MBDLN25SG
		Basic type <sup>2)</sup>	MBDLN25SE
	Frame symbol	B-frame	
Power supply capacity	(kVA)	0.9	
Rated output	(W)	400	
Rated torque	(N·m)	1.27	
Continuous stall torque	(N·m)	1.27	
Momentary Max. peak torque	(N·m)	3.82	
Rated current	(A(rms))	2.4	
Max. current	(A(o-p))	10.2	
Regenerative brake frequency (times/min) <sup>Note)1</sup>	Without option	No limit <sup>Note)2</sup>	
	DV0P4283	No limit <sup>Note)2</sup>	
Rated rotational speed	(r/min)	3000	
Max. rotational speed	(r/min)	6000	
Moment of inertia of rotor (×10 <sup>-4</sup> kg·m <sup>2</sup> )	Without brake	0.27	
	With brake	0.30	
Recommended moment of inertia ratio of the load and the rotor	<sup>Note)3</sup>	30 times or less	
Rotary encoder specifications <sup>3)</sup>	Resolution per single turn		8388608

• **Brake specifications** (For details, refer to P.167)  
(This brake will be released when it is energized.)  
(Do not use this for braking the motor in motion.)

Static friction torque (N·m)	1.27 or more
Engaging time (ms)	50 or less
Releasing time (ms) <sup>Note)4</sup>	15 or less
Exciting current (DC) (A)	0.36
Releasing voltage (DC) (V)	1 or more
Exciting voltage (DC) (V)	24±1.2

• **Permissible load** (For details, refer to P.166)

During assembly	Radial load P-direction (N)	392
	Thrust load A-direction (N)	147
	Thrust load B-direction (N)	196
During operation	Radial load P-direction (N)	245
	Thrust load A, B-direction (N)	98.0

• For details of Note)1 to Note)4, refer to P.165.  
• Dimensions of Driver, refer to P.47.

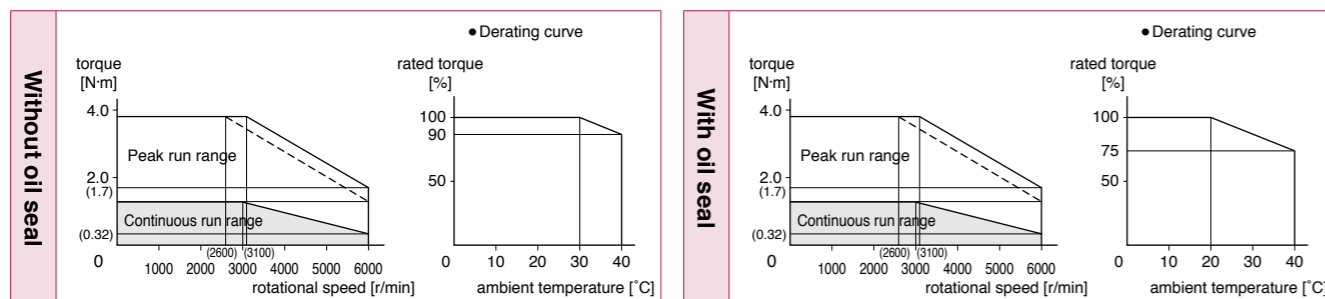
\*1 □□ in the motor part number represents the motor specifications.

\*2 Basic type and RS485 communication type are "Position control type".

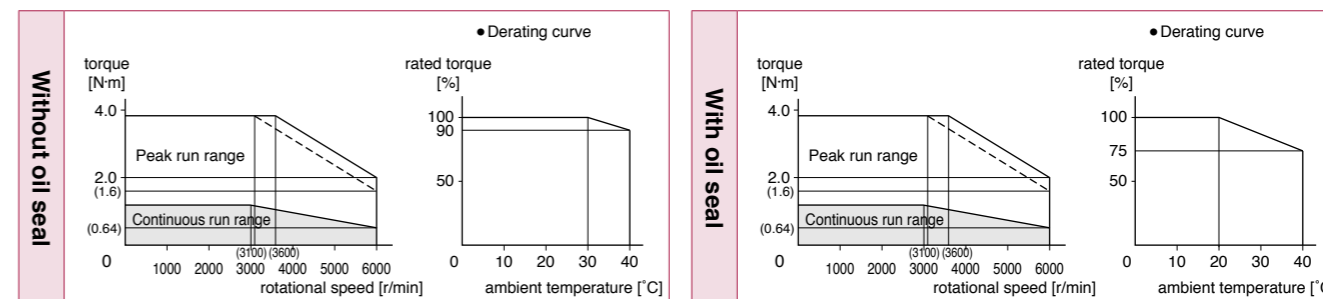
Detail of model designation, refer to P.18.

\*3 When using a rotary encoder as an incremental system (not using multi-turn data), do not connect a battery for absolute encoder.

Torque characteristics (at AC100 V of power voltage <Dotted line represents the torque at 10 % less supply voltage.>)

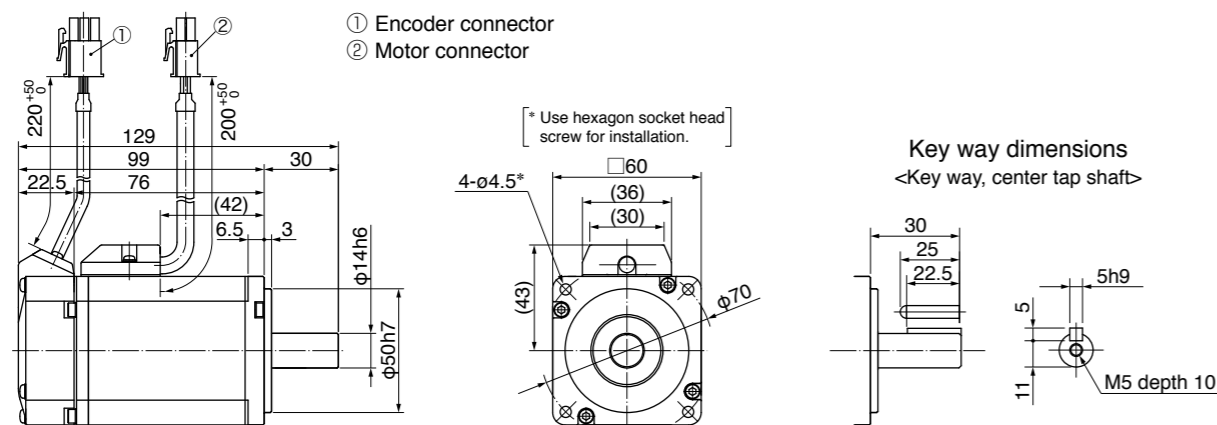


Torque characteristics (at AC200 V of power voltage <Dotted line represents the torque at 10 % less supply voltage.>)



Dimensions

<without brake> Mass: 1.2 kg

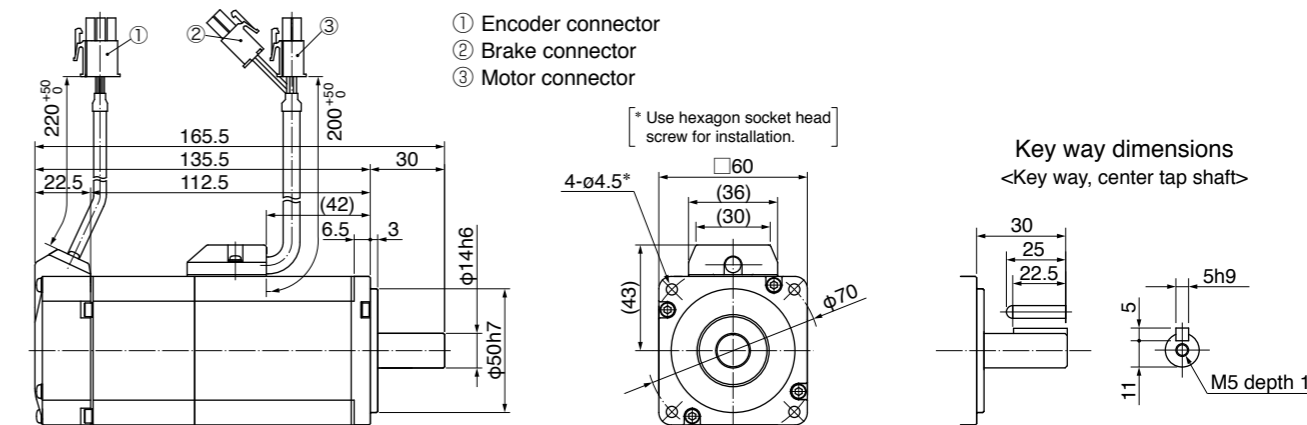


For connector type IP67 motors, refer to P.101. • For the dimensions with brake, refer to the right page.

<Cautions> Reduce the moment of inertia ratio if high speed response operation is required. Dimensions are subject to change without notice. Contact us or a dealer for the latest information. Read the Instruction Manual carefully and understand all precautions and remarks before using the products.

Dimensions

<with brake> Mass: 1.7 kg



For connector type IP67 motors, refer to P.101. • For the dimensions without brake, refer to the left page.

<Cautions> Reduce the moment of inertia ratio if high speed response operation is required. Dimensions are subject to change without notice. Contact us or a dealer for the latest information. Read the Instruction Manual carefully and understand all precautions and remarks before using the products.

Specifications

		AC200 V
Motor model <sup>1)</sup>	IP65	MSMF082L1□□
Applicable driver	Model No.	Multifunction type MCDLT35SF
		RS485 communication type <sup>2)</sup> MCDLN35SG
		Basic type <sup>2)</sup> MCDLN35SE
	Frame symbol	C-frame
Power supply capacity	(kVA)	1.3
Rated output	(W)	750
Rated torque	(N·m)	2.39
Continuous stall torque	(N·m)	2.39
Momentary Max. peak torque	(N·m)	7.16
Rated current	(A(rms))	4.1
Max. current	(A(o-p))	17.4
Regenerative brake frequency (times/min) <sup>Note)1</sup>	Without option	No limit <sup>Note)2</sup>
	DV0P4283	No limit <sup>Note)2</sup>
Rated rotational speed	(r/min)	3000
Max. rotational speed	(r/min)	6000
Moment of inertia of rotor (×10 <sup>-4</sup> kg·m <sup>2</sup> )	Without brake	0.96
	With brake	1.06
Recommended moment of inertia ratio of the load and the rotor <sup>Note)3</sup>		20 times or less
Rotary encoder specifications <sup>3)</sup>		23-bit Absolute
	Resolution per single turn	8388608

• **Brake specifications** (For details, refer to P.167)  
(This brake will be released when it is energized.)  
(Do not use this for braking the motor in motion.)

Static friction torque (N·m)	2.45 or more
Engaging time (ms)	70 or less
Releasing time (ms) <sup>Note)4</sup>	20 or less
Exciting current (DC) (A)	0.42
Releasing voltage (DC) (V)	1 or more
Exciting voltage (DC) (V)	24±1.2

• **Permissible load** (For details, refer to P.166)

During assembly	Radial load P-direction (N)	686
	Thrust load A-direction (N)	294
	Thrust load B-direction (N)	392
During operation	Radial load P-direction (N)	392
	Thrust load A, B-direction (N)	147

• For details of Note)1 to Note)4, refer to P.165.  
• Dimensions of Driver, refer to P.48.

\*1 □□ in the motor part number represents the motor specifications.

\*2 Basic type and RS485 communication type are "Position control type".

Detail of model designation, refer to P.18.

\*3 When using a rotary encoder as an incremental system (not using multi-turn data), do not connect a battery for absolute encoder.

Specifications

		AC200 V
Motor model <sup>1)</sup>	IP65	MSMF092L1□□
Applicable driver	Model No.	Multifunction type MDDL45SF
		RS485 communication type <sup>2)</sup> MDDL45SG
		Basic type <sup>2)</sup> MDDL45SE
	Frame symbol	D-frame
Power supply capacity	(kVA)	1.8
Rated output	(W)	1000
Rated torque	(N·m)	3.18
Continuous stall torque	(N·m)	3.18
Momentary Max. peak torque	(N·m)	9.55
Rated current	(A(rms))	5.7
Max. current	(A(o-p))	24.2
Regenerative brake frequency (times/min) <sup>Note)1</sup>	Without option	No limit <sup>Note)2</sup>
	DV0P4284	No limit <sup>Note)2</sup>
Rated rotational speed	(r/min)	3000
Max. rotational speed	(r/min)	6000
Moment of inertia of rotor (×10 <sup>-4</sup> kg·m <sup>2</sup> )	Without brake	1.26
	With brake	1.36
Recommended moment of inertia ratio of the load and the rotor <sup>Note)3</sup>		15 times or less
Rotary encoder specifications <sup>3)</sup>		23-bit Absolute
	Resolution per single turn	8388608

• **Brake specifications** (For details, refer to P.167)  
(This brake will be released when it is energized.)  
(Do not use this for braking the motor in motion.)

Static friction torque (N·m)	3.80 or more
Engaging time (ms)	70 or less
Releasing time (ms) <sup>Note)4</sup>	20 or less
Exciting current (DC) (A)	0.42
Releasing voltage (DC) (V)	1 or more
Exciting voltage (DC) (V)	24±2.4

• **Permissible load** (For details, refer to P.166)

During assembly	Radial load P-direction (N)	686
	Thrust load A-direction (N)	294
	Thrust load B-direction (N)	392
During operation	Radial load P-direction (N)	392
	Thrust load A, B-direction (N)	147

• For details of Note)1 to Note)4, refer to P.165.  
• Dimensions of Driver, refer to P.48.

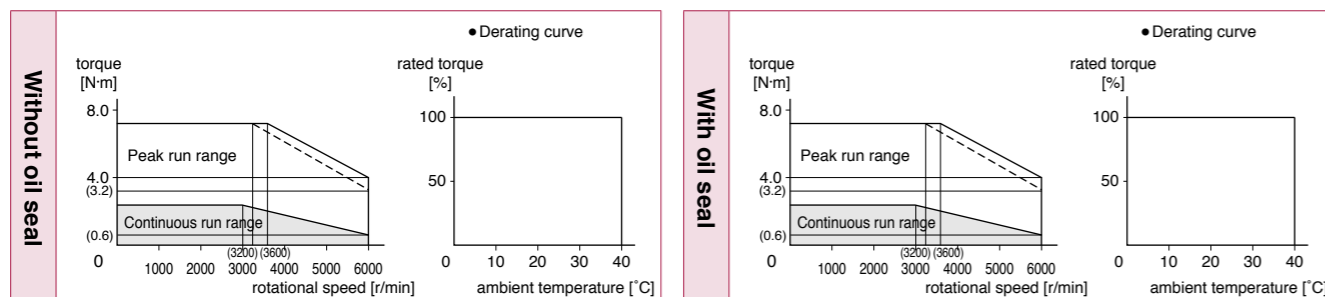
\*1 □□ in the motor part number represents the motor specifications.

\*2 Basic type and RS485 communication type are "Position control type".

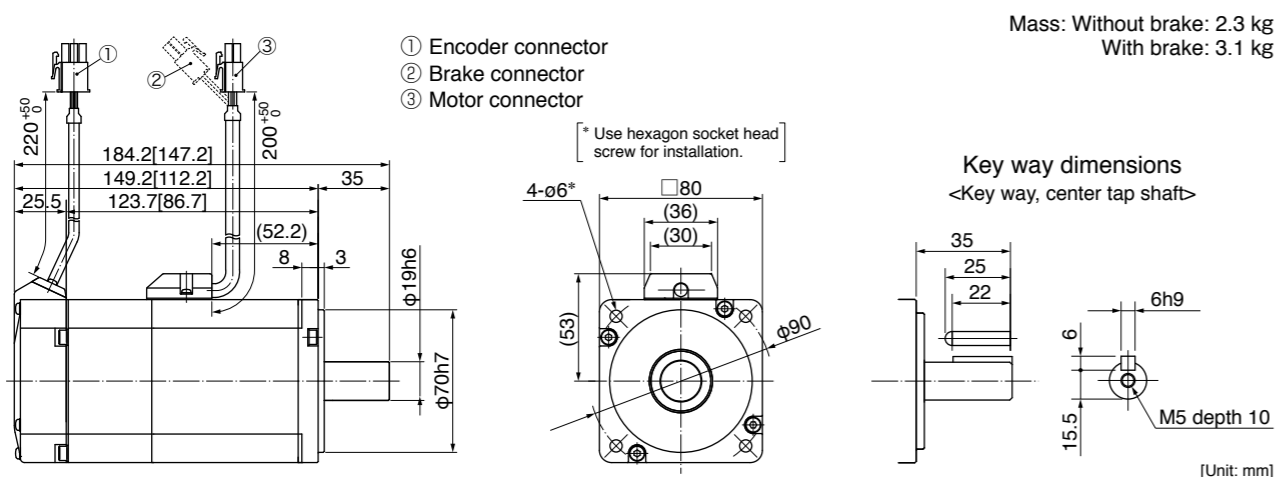
Detail of model designation, refer to P.18.

\*3 When using a rotary encoder as an incremental system (not using multi-turn data), do not connect a battery for absolute encoder.

Torque characteristics (at AC200 V of power voltage <Dotted line represents the torque at 10% less supply voltage.>)



Dimensions

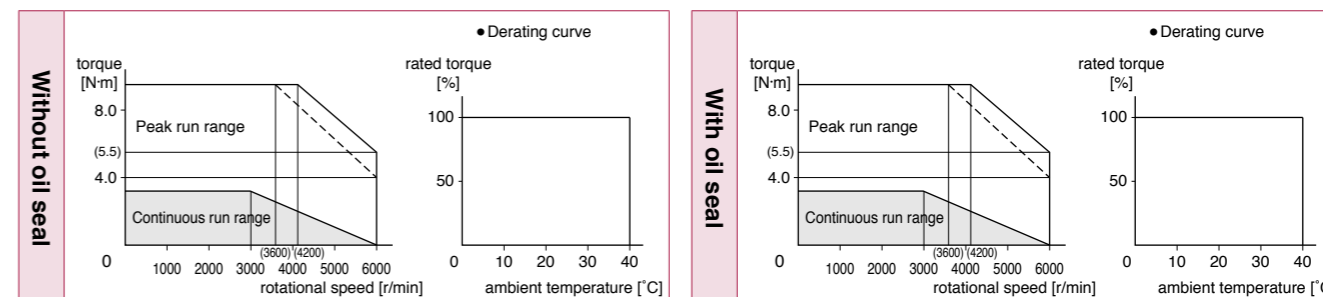


For connector type IP67 motors, refer to P.101.

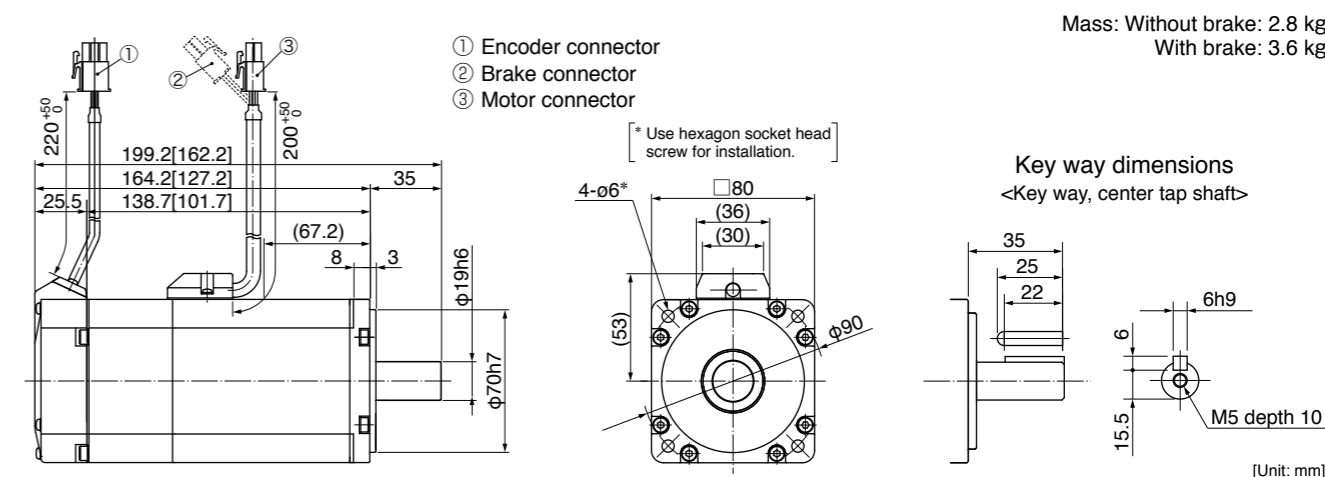
• Figures in [ ] represent the dimensions without brake.

<Cautions> Reduce the moment of inertia ratio if high speed response operation is required. Dimensions are subject to change without notice. Contact us or a dealer for the latest information. Read the Instruction Manual carefully and understand all precautions and remarks before using the products.

Torque characteristics (at AC200 V of power voltage <Dotted line represents the torque at 10% less supply voltage.>)



Dimensions



For connector type IP67 motors, refer to P.101.

• Figures in [ ] represent the dimensions without brake.

<Cautions> Reduce the moment of inertia ratio if high speed response operation is required. Dimensions are subject to change without notice. Contact us or a dealer for the latest information. Read the Instruction Manual carefully and understand all precautions and remarks before using the products.

Specifications

		AC200 V
Motor model <sup>1)</sup>	IP67	MSMF102L1□□
Applicable driver	Model No.	Multifunction type MDDL55SF
		RS485 communication type <sup>2)</sup> MDDL55SG
		Basic type <sup>2)</sup> MDDL55SE
	Frame symbol	D-frame
Power supply capacity	(kVA)	2.3
Rated output	(W)	1000
Rated torque	(N·m)	3.18
Continuous stall torque	(N·m)	3.82
Momentary Max. peak torque	(N·m)	9.55
Rated current	(A(rms))	6.6
Max. current	(A(o-p))	28
Regenerative brake frequency (times/min) <sup>Note)1</sup>	Without option	No limit <sup>Note)2</sup>
	DV0P4284	No limit <sup>Note)2</sup>
Rated rotational speed	(r/min)	3000
Max. rotational speed	(r/min)	5000
Moment of inertia of rotor (×10 <sup>-4</sup> kg·m <sup>2</sup> )	Without brake	2.15
	With brake	2.47
Recommended moment of inertia ratio of the load and the rotor <sup>Note)3</sup>		15 times or less
Rotary encoder specifications <sup>3)</sup>		23-bit Absolute
	Resolution per single turn	8388608

• Brake specifications (For details, refer to P.167)

(This brake will be released when it is energized.)  
(Do not use this for braking the motor in motion.)

Static friction torque (N·m)	8.0 or more
Engaging time (ms)	50 or less
Releasing time (ms) <sup>Note)4</sup>	15 or less
Exciting current (DC) (A)	0.81±10 %
Releasing voltage (DC) (V)	2 or more
Exciting voltage (DC) (V)	24±2.4

• Permissible load (For details, refer to P.166)

During assembly	Radial load P-direction (N)	980
	Thrust load A-direction (N)	588
	Thrust load B-direction (N)	686
During operation	Radial load P-direction (N)	490
	Thrust load A, B-direction (N)	196

• For details of Note)1 to Note)4, refer to P.165.

• Dimensions of Driver, refer to P.48.

\*1 □□ in the motor part number represents the motor specifications.

\*2 Basic type and RS485 communication type are "Position control type".

Detail of model designation, refer to P.18.

\*3 When using a rotary encoder as an incremental system (not using multi-turn data), do not connect a battery for absolute encoder.

Specifications

		AC200 V
Motor model <sup>1)</sup>	IP67	MSMF152L1□□
Applicable driver	Model No.	Multifunction type MDDL55SF
		RS485 communication type <sup>2)</sup> MDDL55SG
		Basic type <sup>2)</sup> MDDL55SE
	Frame symbol	D-frame
Power supply capacity	(kVA)	2.3
Rated output	(W)	1500
Rated torque	(N·m)	4.77
Continuous stall torque	(N·m)	5.72
Momentary Max. peak torque	(N·m)	14.3
Rated current	(A(rms))	8.2
Max. current	(A(o-p))	35
Regenerative brake frequency (times/min) <sup>Note)1</sup>	Without option	No limit <sup>Note)2</sup>
	DV0P4284	No limit <sup>Note)2</sup>
Rated rotational speed	(r/min)	3000
Max. rotational speed	(r/min)	5000
Moment of inertia of rotor (×10 <sup>-4</sup> kg·m <sup>2</sup> )	Without brake	3.10
	With brake	3.45
Recommended moment of inertia ratio of the load and the rotor <sup>Note)3</sup>		15 times or less
Rotary encoder specifications <sup>3)</sup>		23-bit Absolute
	Resolution per single turn	8388608

• Brake specifications (For details, refer to P.167)

(This brake will be released when it is energized.)  
(Do not use this for braking the motor in motion.)

Static friction torque (N·m)	8.0 or more
Engaging time (ms)	50 or less
Releasing time (ms) <sup>Note)4</sup>	15 or less
Exciting current (DC) (A)	0.81±10 %
Releasing voltage (DC) (V)	2 or more
Exciting voltage (DC) (V)	24±2.4

• Permissible load (For details, refer to P.166)

During assembly	Radial load P-direction (N)	980
	Thrust load A-direction (N)	588
	Thrust load B-direction (N)	686
During operation	Radial load P-direction (N)	490
	Thrust load A, B-direction (N)	196

• For details of Note)1 to Note)4, refer to P.165.

• Dimensions of Driver, refer to P.48.

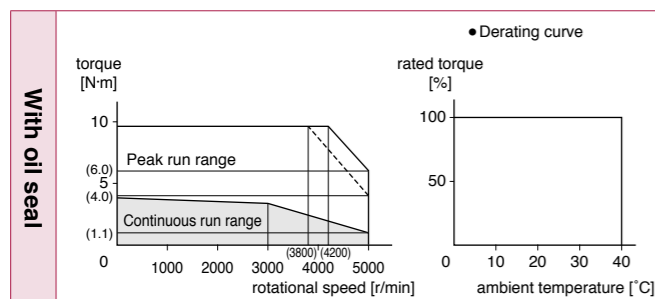
\*1 □□ in the motor part number represents the motor specifications.

\*2 Basic type and RS485 communication type are "Position control type".

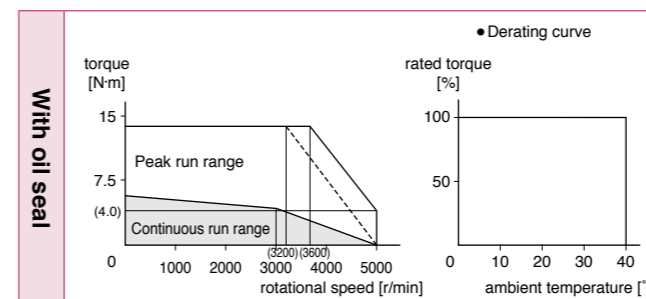
Detail of model designation, refer to P.18.

\*3 When using a rotary encoder as an incremental system (not using multi-turn data), do not connect a battery for absolute encoder.

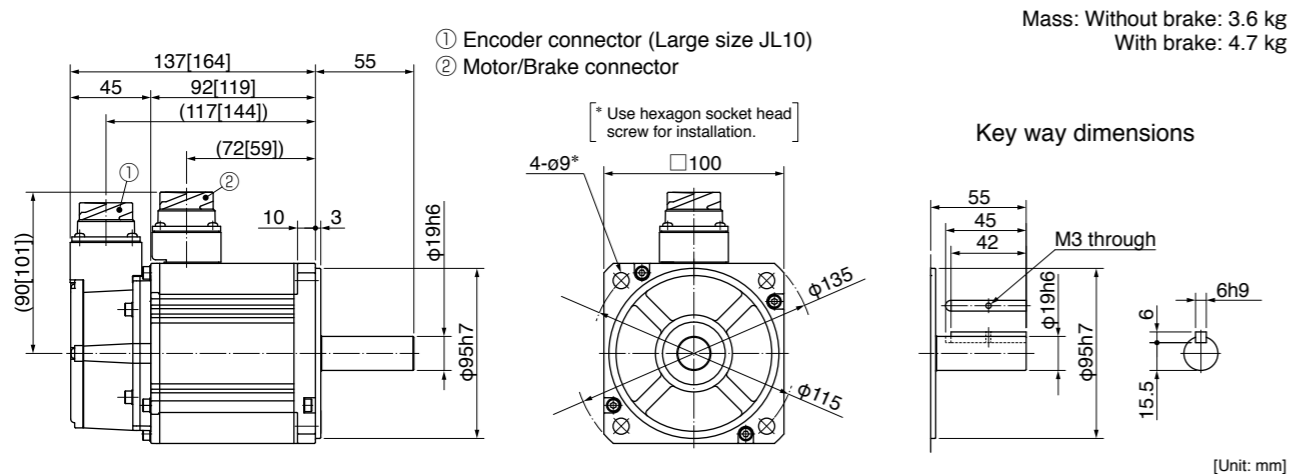
Torque characteristics (at AC200 V of power voltage <Dotted line represents the torque at 10 % less supply voltage.>)



Torque characteristics (at AC200 V of power voltage <Dotted line represents the torque at 10 % less supply voltage.>)



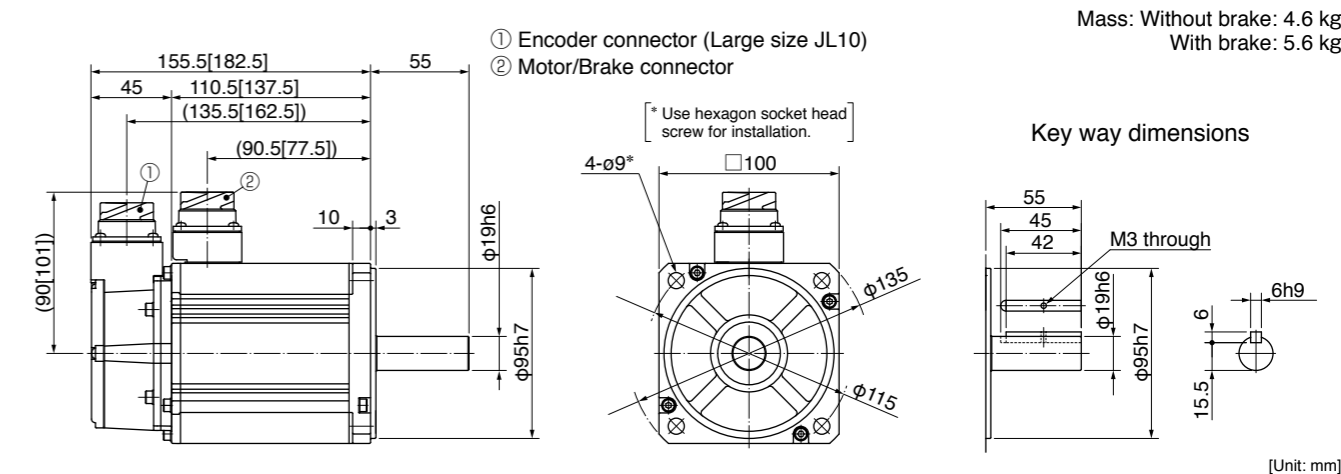
Dimensions



Encoder connector (Small size JN2), refer to P.102. • Figures in [ ] represent the dimensions with brake.

<Cautions> Reduce the moment of inertia ratio if high speed response operation is required. Dimensions are subject to change without notice. Contact us or a dealer for the latest information. Read the Instruction Manual carefully and understand all precautions and remarks before using the products.

Dimensions



Encoder connector (Small size JN2), refer to P.102. • Figures in [ ] represent the dimensions with brake.

<Cautions> Reduce the moment of inertia ratio if high speed response operation is required. Dimensions are subject to change without notice. Contact us or a dealer for the latest information. Read the Instruction Manual carefully and understand all precautions and remarks before using the products.



Specifications

		AC200 V
Motor model <sup>*1</sup>	IP67	MSMF202L1□□
Applicable driver	Model No.	Multifunction type MEDLT83SF
		RS485 communication type <sup>*2</sup> MEDLN83SG
		Basic type <sup>*2</sup> MEDLN83SE
	Frame symbol	E-frame
Power supply capacity	(kVA)	3.8
Rated output	(W)	2000
Rated torque	(N·m)	6.37
Continuous stall torque	(N·m)	7.64
Momentary Max. peak torque	(N·m)	19.1
Rated current	(A(rms))	11.3
Max. current	(A(o-p))	48
Regenerative brake frequency (times/min) <sup>Note1</sup>	Without option	No limit <sup>Note2</sup>
	DV0P4285	No limit <sup>Note2</sup>
Rated rotational speed	(r/min)	3000
Max. rotational speed	(r/min)	5000
Moment of inertia of rotor (×10 <sup>-4</sup> kg·m <sup>2</sup> )	Without brake	4.06
	With brake	4.41
Recommended moment of inertia ratio of the load and the rotor <sup>Note3</sup>		15 times or less
Rotary encoder specifications <sup>*3</sup>		23-bit Absolute
	Resolution per single turn	8388608

• Brake specifications (For details, refer to P.167)

(This brake will be released when it is energized.)  
(Do not use this for braking the motor in motion.)

Static friction torque (N·m)	8.0 or more
Engaging time (ms)	50 or less
Releasing time (ms) <sup>Note4</sup>	15 or less
Exciting current (DC) (A)	0.81±10 %
Releasing voltage (DC) (V)	2 or more
Exciting voltage (DC) (V)	24±2.4

• Permissible load (For details, refer to P.166)

During assembly	Radial load P-direction (N)	980
	Thrust load A-direction (N)	588
	Thrust load B-direction (N)	686
During operation	Radial load P-direction (N)	490
	Thrust load A, B-direction (N)	196

• For details of Note)1 to Note)4, refer to P.165.

• Dimensions of Driver, refer to P.49.

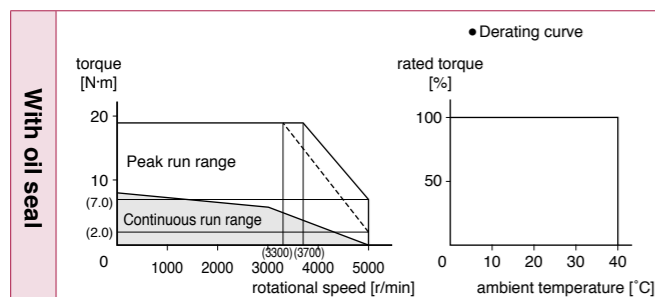
\*1 □□ in the motor part number represents the motor specifications.

\*2 Basic type and RS485 communication type are "Position control type".

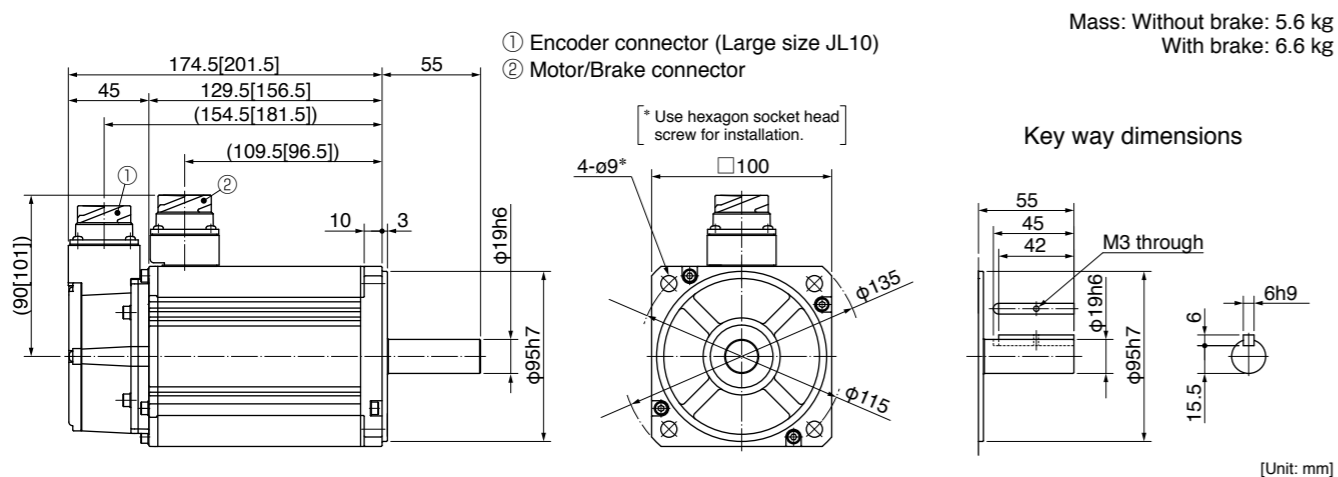
Detail of model designation, refer to P.18.

\*3 When using a rotary encoder as an incremental system (not using multi-turn data), do not connect a battery for absolute encoder.

Torque characteristics (at AC200 V of power voltage <Dotted line represents the torque at 10 % less supply voltage.>)



Dimensions



Encoder connector (Small size JN2), refer to P.102. • Figures in [ ] represent the dimensions with brake.

<Cautions> Reduce the moment of inertia ratio if high speed response operation is required. Dimensions are subject to change without notice. Contact us or a dealer for the latest information. Read the Instruction Manual carefully and understand all precautions and remarks before using the products.

Specifications

		AC200 V
Motor model <sup>*1</sup>	IP67	MSMF302L1□□
Applicable driver	Model No.	Multifunction type MFDLTA3SF
		RS485 communication type <sup>*2</sup> MFDLNA3SG
		Basic type <sup>*2</sup> MFDLNA3SE
	Frame symbol	F-frame
Power supply capacity	(kVA)	4.5
Rated output	(W)	3000
Rated torque	(N·m)	9.55
Continuous stall torque	(N·m)	11.0
Momentary Max. peak torque	(N·m)	28.6
Rated current	(A(rms))	18.1
Max. current	(A(o-p))	77
Regenerative brake frequency (times/min) <sup>Note1</sup>	Without option	No limit <sup>Note2</sup>
	DV0P4285×2	No limit <sup>Note2</sup>
Rated rotational speed	(r/min)	3000
Max. rotational speed	(r/min)	5000
Moment of inertia of rotor (×10 <sup>-4</sup> kg·m <sup>2</sup> )	Without brake	7.04
	With brake	7.38
Recommended moment of inertia ratio of the load and the rotor <sup>Note3</sup>		15 times or less
Rotary encoder specifications <sup>*3</sup>		23-bit Absolute
	Resolution per single turn	8388608

• Brake specifications (For details, refer to P.167)

(This brake will be released when it is energized.)  
(Do not use this for braking the motor in motion.)

Static friction torque (N·m)	12.0 or more
Engaging time (ms)	80 or less
Releasing time (ms) <sup>Note4</sup>	15 or less
Exciting current (DC) (A)	0.81±10 %
Releasing voltage (DC) (V)	2 or more
Exciting voltage (DC) (V)	24±2.4

• Permissible load (For details, refer to P.166)

During assembly	Radial load P-direction (N)	980
	Thrust load A-direction (N)	588
	Thrust load B-direction (N)	686
During operation	Radial load P-direction (N)	490
	Thrust load A, B-direction (N)	196

• For details of Note)1 to Note)4, refer to P.165.

• Dimensions of Driver, refer to P.49.

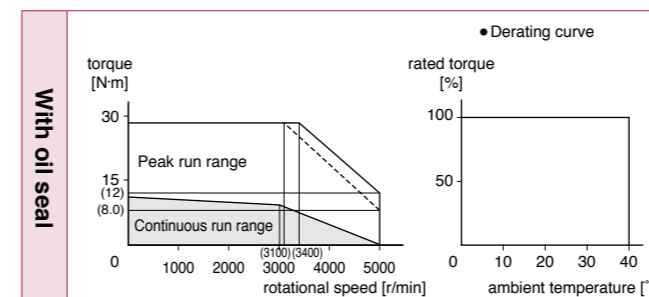
\*1 □□ in the motor part number represents the motor specifications.

\*2 Basic type and RS485 communication type are "Position control type".

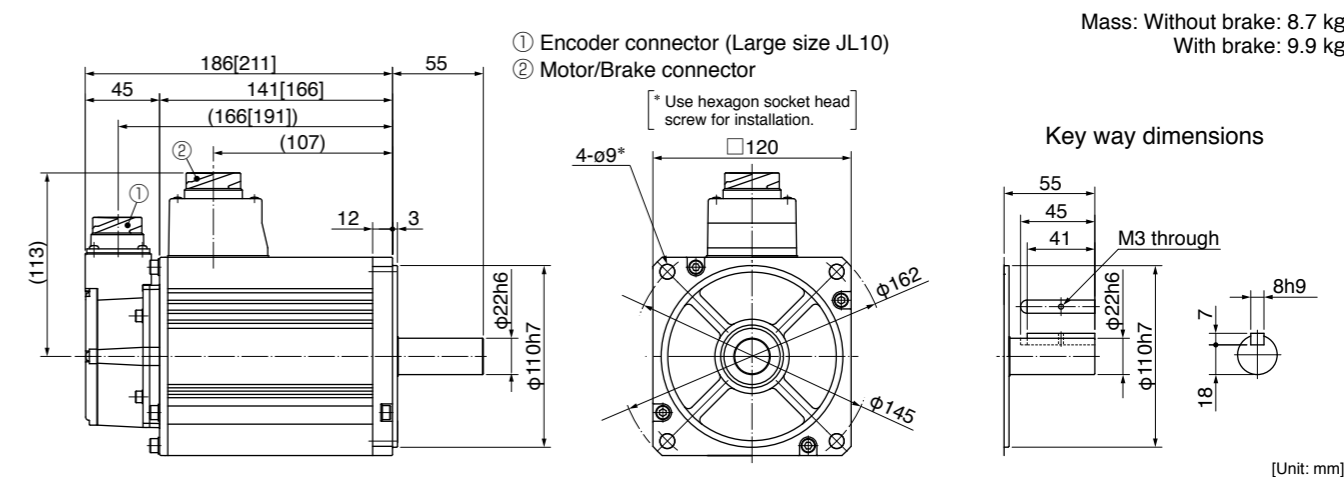
Detail of model designation, refer to P.18.

\*3 When using a rotary encoder as an incremental system (not using multi-turn data), do not connect a battery for absolute encoder.

Torque characteristics (at AC200 V of power voltage <Dotted line represents the torque at 10 % less supply voltage.>)



Dimensions



Encoder connector (Small size JN2), refer to P.102. • Figures in [ ] represent the dimensions with brake.

<Cautions> Reduce the moment of inertia ratio if high speed response operation is required. Dimensions are subject to change without notice. Contact us or a dealer for the latest information. Read the Instruction Manual carefully and understand all precautions and remarks before using the products.

Specifications

		AC200 V
Motor model <sup>1)</sup>	IP67	MSMF402L1□□
Applicable driver	Model No.	
	Multifunction type	MFDLTB3SF
	RS485 communication type <sup>2)</sup>	MFDLNB3SG
	Basic type <sup>2)</sup>	MFDLNB3SE
	Frame symbol	F-frame
Power supply capacity	(kVA)	7.5
Rated output	(W)	4000
Rated torque	(N·m)	12.7
Continuous stall torque	(N·m)	15.2
Momentary Max. peak torque	(N·m)	38.2
Rated current	(A(rms))	19.6
Max. current	(A(o-p))	83
Regenerative brake frequency (times/min) <sup>Note)1</sup>	Without option	No limit <sup>Note)2</sup>
	DV0P4285×2	No limit <sup>Note)2</sup>
Rated rotational speed	(r/min)	3000
Max. rotational speed	(r/min)	4500
Moment of inertia of rotor (×10 <sup>-4</sup> kg·m <sup>2</sup> )	Without brake	14.4
	With brake	15.6
Recommended moment of inertia ratio of the load and the rotor <sup>Note)3</sup>		15 times or less
Rotary encoder specifications <sup>3)</sup>		23-bit Absolute
	Resolution per single turn	8388608

• **Brake specifications** (For details, refer to P.167)  
(This brake will be released when it is energized.)  
(Do not use this for braking the motor in motion.)

Static friction torque (N·m)	16.2 or more
Engaging time (ms)	110 or less
Releasing time (ms) <sup>Note)4</sup>	50 or less
Exciting current (DC) (A)	0.90±10 %
Releasing voltage (DC) (V)	2 or more
Exciting voltage (DC) (V)	24±2.4

• **Permissible load** (For details, refer to P.166)

During assembly	Radial load P-direction (N)	980
	Thrust load A-direction (N)	588
	Thrust load B-direction (N)	686
During operation	Radial load P-direction (N)	784
	Thrust load A, B-direction (N)	343

• For details of Note)1 to Note)4, refer to P.165.  
• Dimensions of Driver, refer to P.49.

\*1 □□ in the motor part number represents the motor specifications.

\*2 Basic type and RS485 communication type are "Position control type".

Detail of model designation, refer to P.18.

\*3 When using a rotary encoder as an incremental system (not using multi-turn data), do not connect a battery for absolute encoder.

Specifications

		AC200 V
Motor model <sup>1)</sup>	IP67	MSMF502L1□□
Applicable driver	Model No.	
	Multifunction type	MFDLTB3SF
	RS485 communication type <sup>2)</sup>	MFDLNB3SG
	Basic type <sup>2)</sup>	MFDLNB3SE
	Frame symbol	F-frame
Power supply capacity	(kVA)	7.5
Rated output	(W)	5000
Rated torque	(N·m)	15.9
Continuous stall torque	(N·m)	19.1
Momentary Max. peak torque	(N·m)	47.7
Rated current	(A(rms))	24.0
Max. current	(A(o-p))	102
Regenerative brake frequency (times/min) <sup>Note)1</sup>	Without option	No limit <sup>Note)2</sup>
	DV0P4285×2	No limit <sup>Note)2</sup>
Rated rotational speed	(r/min)	3000
Max. rotational speed	(r/min)	4500
Moment of inertia of rotor (×10 <sup>-4</sup> kg·m <sup>2</sup> )	Without brake	19.0
	With brake	20.2
Recommended moment of inertia ratio of the load and the rotor <sup>Note)3</sup>		15 times or less
Rotary encoder specifications <sup>3)</sup>		23-bit Absolute
	Resolution per single turn	8388608

• **Brake specifications** (For details, refer to P.167)  
(This brake will be released when it is energized.)  
(Do not use this for braking the motor in motion.)

Static friction torque (N·m)	22.0 or more
Engaging time (ms)	110 or less
Releasing time (ms) <sup>Note)4</sup>	50 or less
Exciting current (DC) (A)	0.90±10 %
Releasing voltage (DC) (V)	2 or more
Exciting voltage (DC) (V)	24±2.4

• **Permissible load** (For details, refer to P.166)

During assembly	Radial load P-direction (N)	980
	Thrust load A-direction (N)	588
	Thrust load B-direction (N)	686
During operation	Radial load P-direction (N)	784
	Thrust load A, B-direction (N)	343

• For details of Note)1 to Note)4, refer to P.165.  
• Dimensions of Driver, refer to P.49.

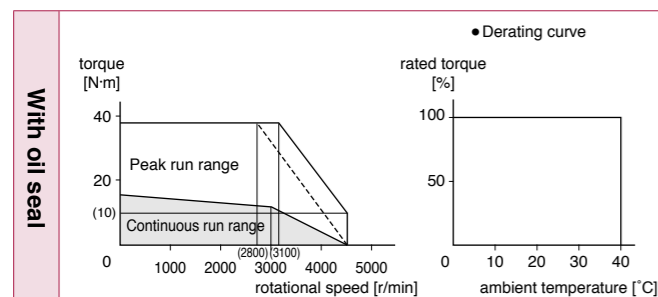
\*1 □□ in the motor part number represents the motor specifications.

\*2 Basic type and RS485 communication type are "Position control type".

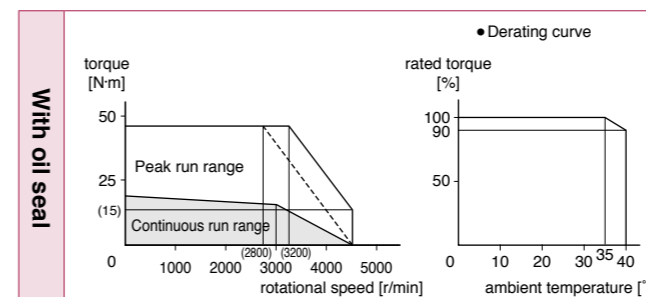
Detail of model designation, refer to P.18.

\*3 When using a rotary encoder as an incremental system (not using multi-turn data), do not connect a battery for absolute encoder.

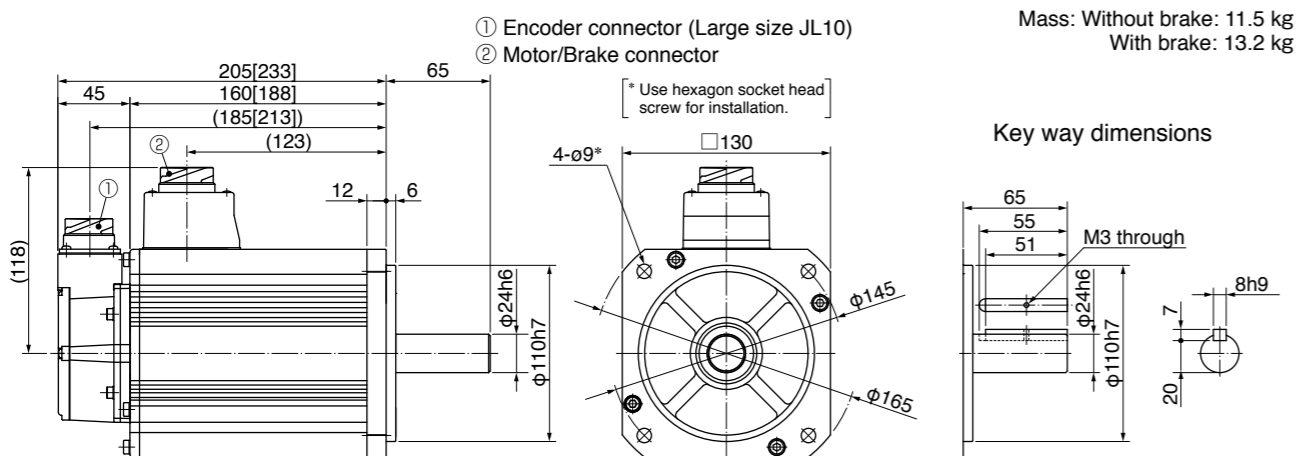
Torque characteristics (at AC200 V of power voltage <Dotted line represents the torque at 10 % less supply voltage.>)



Torque characteristics (at AC200 V of power voltage <Dotted line represents the torque at 10 % less supply voltage.>)



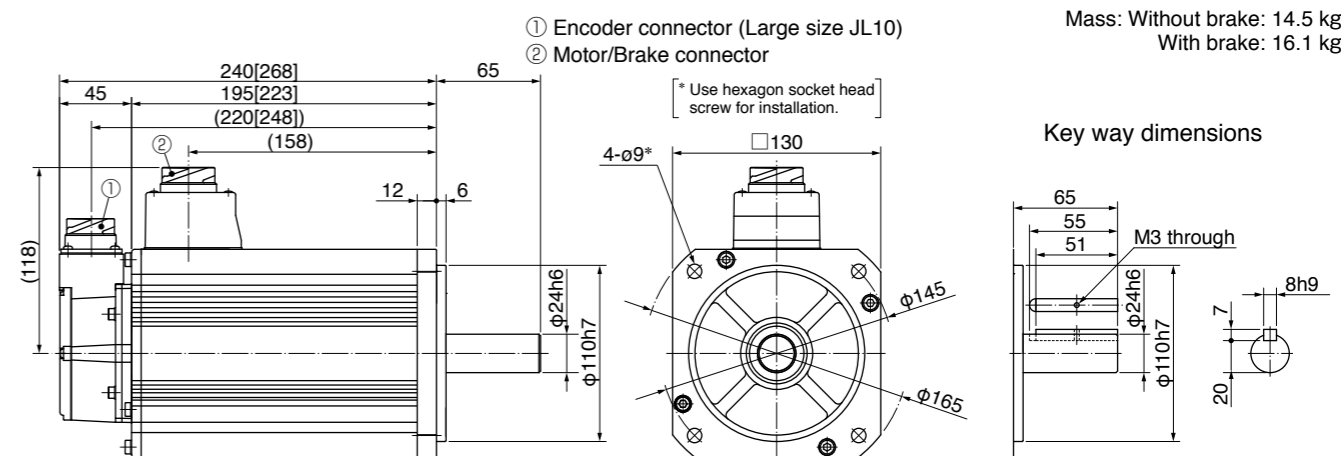
Dimensions



Encoder connector (Small size JN2), refer to P.102. • Figures in [ ] represent the dimensions with brake.

<Cautions> Reduce the moment of inertia ratio if high speed response operation is required. Dimensions are subject to change without notice. Contact us or a dealer for the latest information. Read the Instruction Manual carefully and understand all precautions and remarks before using the products.

Dimensions



Encoder connector (Small size JN2), refer to P.102. • Figures in [ ] represent the dimensions with brake.

<Cautions> Reduce the moment of inertia ratio if high speed response operation is required. Dimensions are subject to change without notice. Contact us or a dealer for the latest information. Read the Instruction Manual carefully and understand all precautions and remarks before using the products.

Specifications

		AC100 V
Motor model <sup>1)</sup>	IP65	MQMF011L1□□
Applicable driver	Model No.	
	Multifunction type	MADLT11SF
	RS485 communication type <sup>2)</sup>	MADLN11SG
	Basic type <sup>2)</sup>	MADLN11SE
	Frame symbol	A-frame
Power supply capacity	(kVA)	0.4
Rated output	(W)	100
Rated torque	(N·m)	0.32
Continuous stall torque	(N·m)	0.33
Momentary Max. peak torque	(N·m)	1.11
Rated current	(A(rms))	1.6
Max. current	(A(o-p))	7.9
Regenerative brake frequency (times/min) <sup>Note)1</sup>	Without option	No limit <sup>Note)2</sup>
	DV0P4280	No limit <sup>Note)2</sup>
Rated rotational speed	(r/min)	3000
Max. rotational speed	(r/min)	6500
Moment of inertia of rotor (×10 <sup>-4</sup> kg·m <sup>2</sup> )	Without brake	0.15
	With brake	0.18
Recommended moment of inertia ratio of the load and the rotor <sup>Note)3</sup>		20 times or less
Rotary encoder specifications <sup>3)</sup>		23-bit Absolute
	Resolution per single turn	8388608

• **Brake specifications** (For details, refer to P.167)  
 (This brake will be released when it is energized.)  
 (Do not use this for braking the motor in motion.)

Static friction torque (N·m)	0.39 or more
Engaging time (ms)	15 or less
Releasing time (ms) <sup>Note)4</sup>	20 or less
Exciting current (DC) (A)	0.30
Releasing voltage (DC) (V)	1 or more
Exciting voltage (DC) (V)	24±2.4

• **Permissible load** (For details, refer to P.166)

During assembly	Radial load P-direction (N)	147
	Thrust load A-direction (N)	88
	Thrust load B-direction (N)	117.6
During operation	Radial load P-direction (N)	68.6
	Thrust load A, B-direction (N)	58.8

• For details of Note)1 to Note)4, refer to P.165.  
 • Dimensions of Driver, refer to P.47.

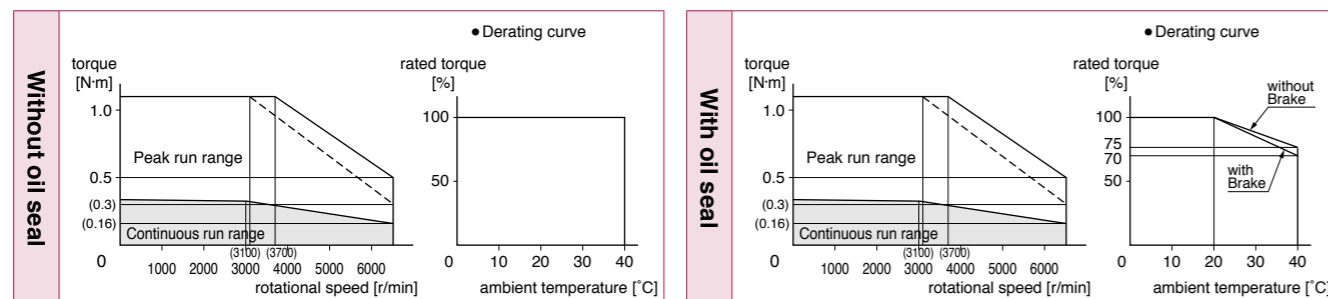
\*1 □□ in the motor part number represents the motor specifications.

\*2 Basic type and RS485 communication type are "Position control type".

Detail of model designation, refer to P.18.

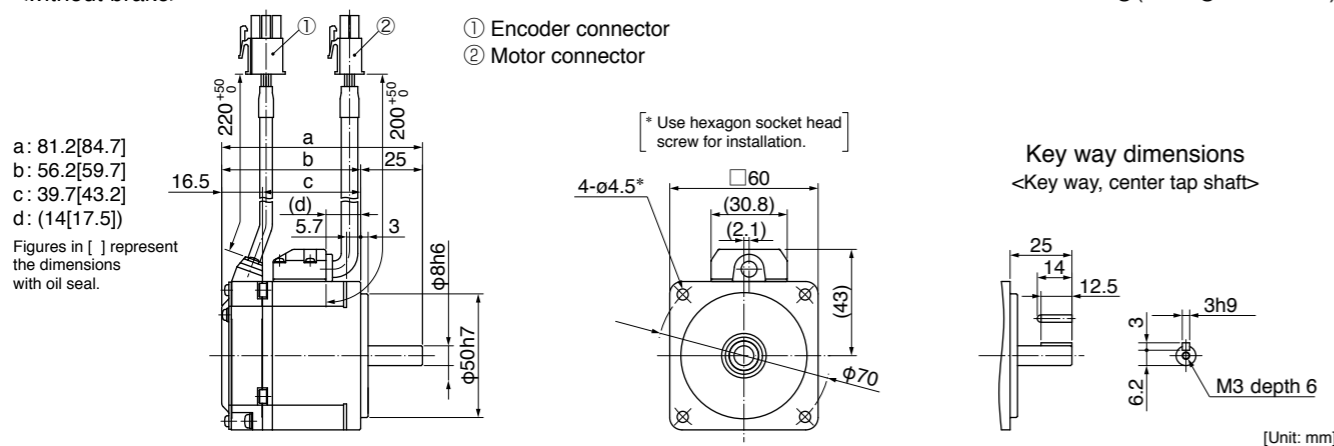
\*3 When using a rotary encoder as an incremental system (not using multi-turn data), do not connect a battery for absolute encoder.

Torque characteristics (at AC100 V of power voltage <Dotted line represents the torque at 10% less supply voltage.>)



Dimensions

<without brake>



For motors with protective lip, refer to P.103. For connector type IP67 motors, refer to P.104. •For the dimensions with brake, refer to the right page.

• **<Cautions>** Reduce the moment of inertia ratio if high speed response operation is required. Dimensions are subject to change without notice. Contact us or a dealer for the latest information. Read the Instruction Manual carefully and understand all precautions and remarks before using the products.

Specifications

		AC200 V
Motor model <sup>1)</sup>	IP65	MQMF012L1□□
Applicable driver	Model No.	
	Multifunction type	MADLT05SF
	RS485 communication type <sup>2)</sup>	MADLN05SG
	Basic type <sup>2)</sup>	MADLN05SE
	Frame symbol	A-frame
Power supply capacity	(kVA)	0.5
Rated output	(W)	100
Rated torque	(N·m)	0.32
Continuous stall torque	(N·m)	0.33
Momentary Max. peak torque	(N·m)	1.11
Rated current	(A(rms))	1.1
Max. current	(A(o-p))	5.5
Regenerative brake frequency (times/min) <sup>Note)1</sup>	Without option	No limit <sup>Note)2</sup>
	DV0P4281	No limit <sup>Note)2</sup>
Rated rotational speed	(r/min)	3000
Max. rotational speed	(r/min)	6500
Moment of inertia of rotor (×10 <sup>-4</sup> kg·m <sup>2</sup> )	Without brake	0.15
	With brake	0.18
Recommended moment of inertia ratio of the load and the rotor <sup>Note)3</sup>		20 times or less
Rotary encoder specifications <sup>3)</sup>		23-bit Absolute
	Resolution per single turn	8388608

• **Brake specifications** (For details, refer to P.167)  
 (This brake will be released when it is energized.)  
 (Do not use this for braking the motor in motion.)

Static friction torque (N·m)	0.39 or more
Engaging time (ms)	15 or less
Releasing time (ms) <sup>Note)4</sup>	20 or less
Exciting current (DC) (A)	0.30
Releasing voltage (DC) (V)	1 or more
Exciting voltage (DC) (V)	24±2.4

• **Permissible load** (For details, refer to P.166)

During assembly	Radial load P-direction (N)	147
	Thrust load A-direction (N)	88
	Thrust load B-direction (N)	117.6
During operation	Radial load P-direction (N)	68.6
	Thrust load A, B-direction (N)	58.8

• For details of Note)1 to Note)4, refer to P.165.  
 • Dimensions of Driver, refer to P.47.

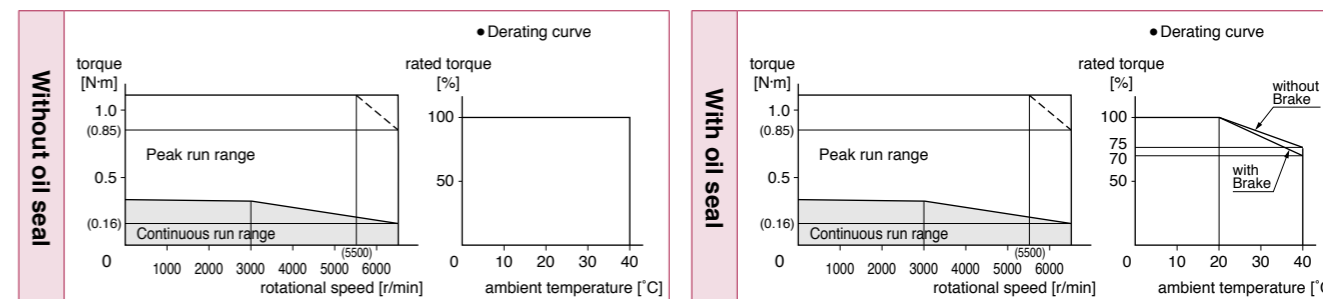
\*1 □□ in the motor part number represents the motor specifications.

\*2 Basic type and RS485 communication type are "Position control type".

Detail of model designation, refer to P.18.

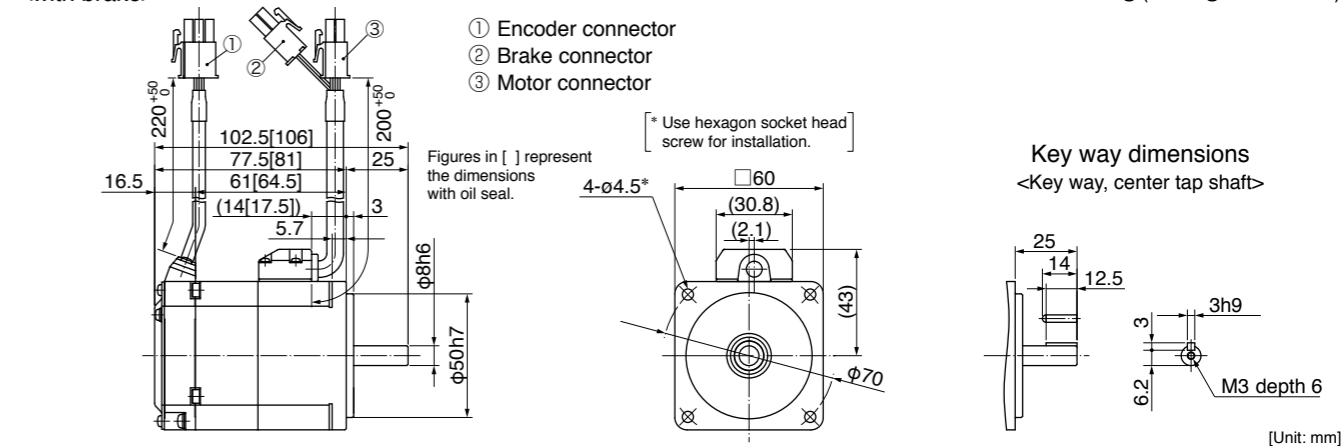
\*3 When using a rotary encoder as an incremental system (not using multi-turn data), do not connect a battery for absolute encoder.

Torque characteristics (at AC200 V of power voltage <Dotted line represents the torque at 10% less supply voltage.>)



Dimensions

<with brake>



For motors with protective lip, refer to P.103. For connector type IP67 motors, refer to P.104. •For the dimensions without brake, refer to the left page.

• **<Cautions>** Reduce the moment of inertia ratio if high speed response operation is required. Dimensions are subject to change without notice. Contact us or a dealer for the latest information. Read the Instruction Manual carefully and understand all precautions and remarks before using the products.

Specifications

		AC100 V
Motor model <sup>1)</sup>	IP65	MQMF021L1□□
Applicable driver	Model No.	Multifunction type MBDLT21SF
		RS485 communication type <sup>2)</sup> MBDLN21SG
		Basic type <sup>2)</sup> MBDLN21SE
	Frame symbol	B-frame
Power supply capacity	(kVA)	0.5
Rated output	(W)	200
Rated torque	(N·m)	0.64
Continuous stall torque	(N·m)	0.76
Momentary Max. peak torque	(N·m)	2.23
Rated current	(A(rms))	2.1
Max. current	(A(o-p))	10.4
Regenerative brake frequency (times/min) <sup>Note)1</sup>	Without option	No limit <sup>Note)2</sup>
	DV0P4283	No limit <sup>Note)2</sup>
Rated rotational speed	(r/min)	3000
Max. rotational speed	(r/min)	6500
Moment of inertia of rotor (×10 <sup>-4</sup> kg·m <sup>2</sup> )	Without brake	0.50
	With brake	0.59
Recommended moment of inertia ratio of the load and the rotor	<sup>Note)3</sup>	20 times or less
Rotary encoder specifications <sup>3)</sup>		23-bit Absolute
	Resolution per single turn	8388608

• **Brake specifications** (For details, refer to P.167)  
(This brake will be released when it is energized.)  
(Do not use this for braking the motor in motion.)

Static friction torque (N·m)	1.6 or more
Engaging time (ms)	70 or less
Releasing time (ms) <sup>Note)4</sup>	20 or less
Exciting current (DC) (A)	0.36
Releasing voltage (DC) (V)	1 or more
Exciting voltage (DC) (V)	24±2.4

• **Permissible load** (For details, refer to P.166)

During assembly	Radial load P-direction (N)	392
	Thrust load A-direction (N)	147
	Thrust load B-direction (N)	196
During operation	Radial load P-direction (N)	245
	Thrust load A, B-direction (N)	98

• For details of Note)1 to Note)4, refer to P.165.  
• Dimensions of Driver, refer to P.47.

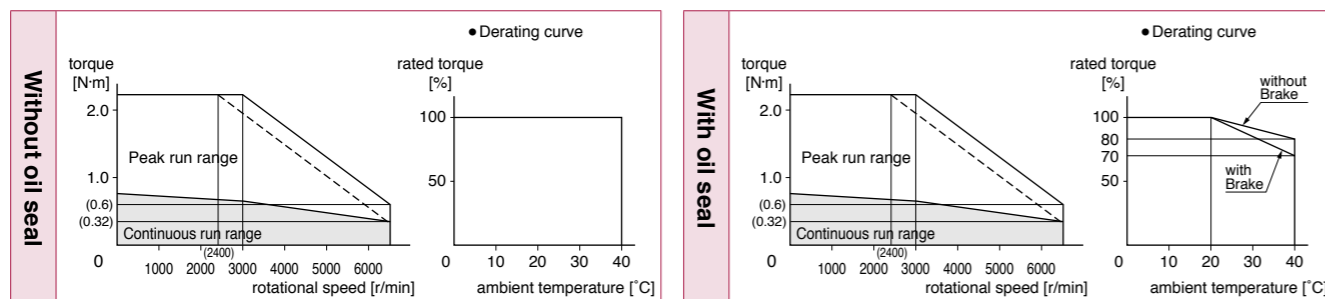
\*1 □□ in the motor part number represents the motor specifications.

\*2 Basic type and RS485 communication type are "Position control type".

Detail of model designation, refer to P.18.

\*3 When using a rotary encoder as an incremental system (not using multi-turn data), do not connect a battery for absolute encoder.

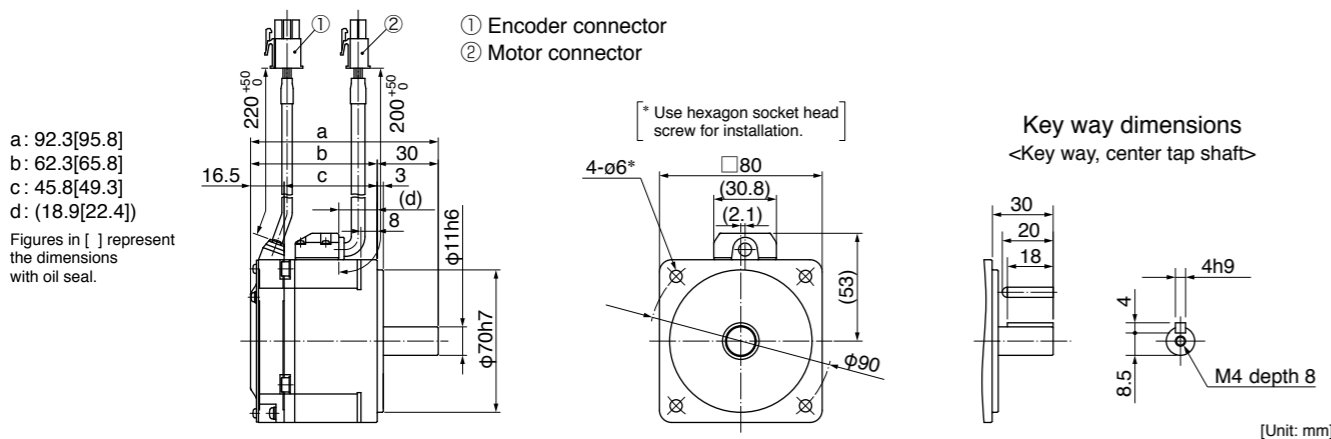
Torque characteristics (at AC100 V of power voltage <Dotted line represents the torque at 10% less supply voltage.>)



Dimensions

<without brake>

Mass: 1.1 kg (1.2 kg with oil seal)



For motors with protective lip, refer to P.103. For connector type IP67 motors, refer to P.104. • For the dimensions with brake, refer to the right page.

<Cautions> Reduce the moment of inertia ratio if high speed response operation is required. Dimensions are subject to change without notice. Contact us or a dealer for the latest information. Read the Instruction Manual carefully and understand all precautions and remarks before using the products.

Specifications

		AC200 V
Motor model <sup>1)</sup>	IP65	MQMF022L1□□
Applicable driver	Model No.	Multifunction type MADLT15SF
		RS485 communication type <sup>2)</sup> MADLN15SG
		Basic type <sup>2)</sup> MADLN15SE
	Frame symbol	A-frame
Power supply capacity	(kVA)	0.5
Rated output	(W)	200
Rated torque	(N·m)	0.64
Continuous stall torque	(N·m)	0.76
Momentary Max. peak torque	(N·m)	2.23
Rated current	(A(rms))	1.4
Max. current	(A(o-p))	6.9
Regenerative brake frequency (times/min) <sup>Note)1</sup>	Without option	No limit <sup>Note)2</sup>
	DV0P4283	No limit <sup>Note)2</sup>
Rated rotational speed	(r/min)	3000
Max. rotational speed	(r/min)	6500
Moment of inertia of rotor (×10 <sup>-4</sup> kg·m <sup>2</sup> )	Without brake	0.50
	With brake	0.59
Recommended moment of inertia ratio of the load and the rotor	<sup>Note)3</sup>	20 times or less
Rotary encoder specifications <sup>3)</sup>		23-bit Absolute
	Resolution per single turn	8388608

• **Brake specifications** (For details, refer to P.167)  
(This brake will be released when it is energized.)  
(Do not use this for braking the motor in motion.)

Static friction torque (N·m)	1.6 or more
Engaging time (ms)	70 or less
Releasing time (ms) <sup>Note)4</sup>	20 or less
Exciting current (DC) (A)	0.36
Releasing voltage (DC) (V)	1 or more
Exciting voltage (DC) (V)	24±2.4

• **Permissible load** (For details, refer to P.166)

During assembly	Radial load P-direction (N)	392
	Thrust load A-direction (N)	147
	Thrust load B-direction (N)	196
During operation	Radial load P-direction (N)	245
	Thrust load A, B-direction (N)	98

• For details of Note)1 to Note)4, refer to P.165.  
• Dimensions of Driver, refer to P.47.

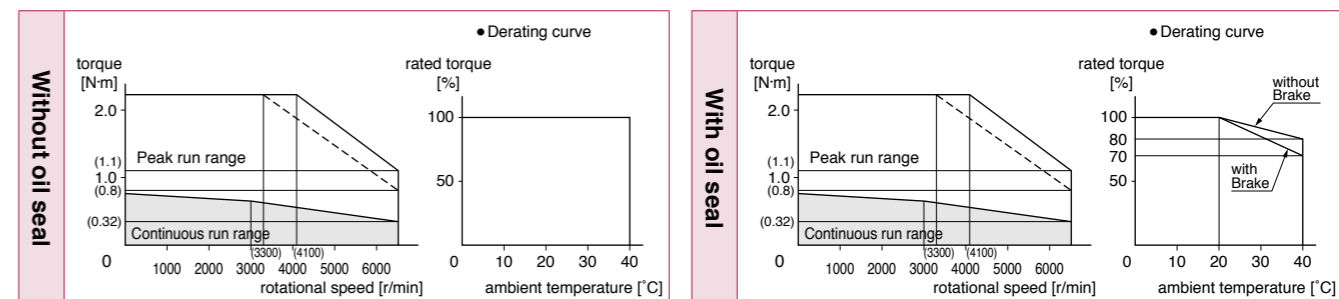
\*1 □□ in the motor part number represents the motor specifications.

\*2 Basic type and RS485 communication type are "Position control type".

Detail of model designation, refer to P.18.

\*3 When using a rotary encoder as an incremental system (not using multi-turn data), do not connect a battery for absolute encoder.

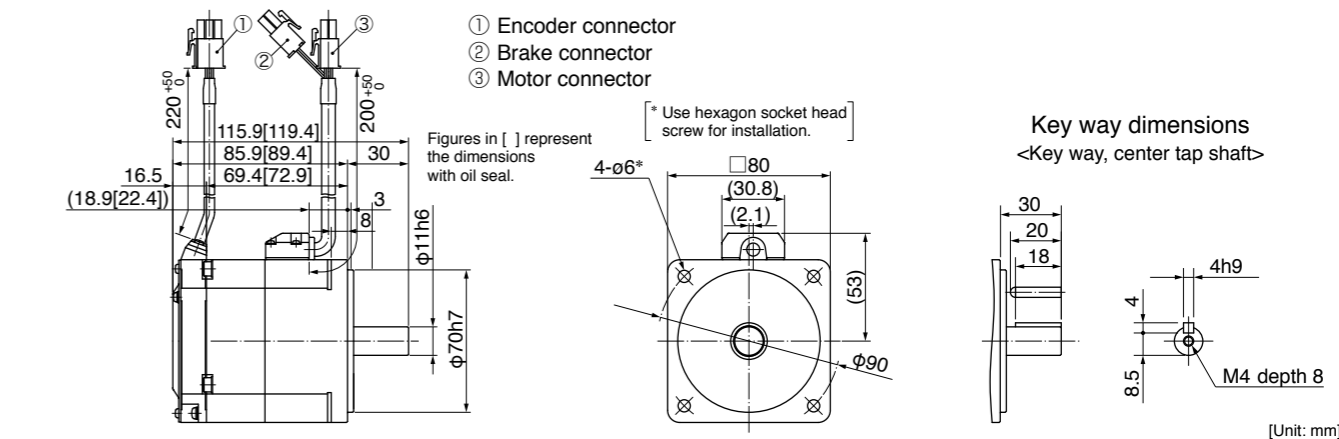
Torque characteristics (at AC200 V of power voltage <Dotted line represents the torque at 10% less supply voltage.>)



Dimensions

<with brake>

Mass: 1.5 kg (1.6 kg with oil seal)



For motors with protective lip, refer to P.103. For connector type IP67 motors, refer to P.104. • For the dimensions without brake, refer to the left page.

<Cautions> Reduce the moment of inertia ratio if high speed response operation is required. Dimensions are subject to change without notice. Contact us or a dealer for the latest information. Read the Instruction Manual carefully and understand all precautions and remarks before using the products.

Specifications

		AC100 V
Motor model <sup>1)</sup>	IP65	MQMF041L1□□
Applicable driver	Model No.	Multifunction type MCDLT31SF
		RS485 communication type <sup>2)</sup> MCDLN31SG
		Basic type <sup>2)</sup> MCDLN31SE
	Frame symbol	C-frame
Power supply capacity	(kVA)	0.9
Rated output	(W)	400
Rated torque	(N·m)	1.27
Continuous stall torque	(N·m)	1.40
Momentary Max. peak torque	(N·m)	4.46
Rated current	(A(rms))	4.1
Max. current	(A(o-p))	20.3
Regenerative brake frequency (times/min) <sup>Note)1</sup>	Without option	No limit <sup>Note)2</sup>
	DV0P4282	No limit <sup>Note)2</sup>
Rated rotational speed	(r/min)	3000
Max. rotational speed	(r/min)	6500
Moment of inertia of rotor (×10 <sup>-4</sup> kg·m <sup>2</sup> )	Without brake	0.98
	With brake	1.06
Recommended moment of inertia ratio of the load and the rotor <sup>Note)3</sup>		20 times or less
Rotary encoder specifications <sup>3)</sup>		23-bit Absolute
	Resolution per single turn	8388608

• Brake specifications (For details, refer to P.167)

(This brake will be released when it is energized.)  
(Do not use this for braking the motor in motion.)

Static friction torque (N·m)	1.6 or more
Engaging time (ms)	70 or less
Releasing time (ms) <sup>Note)4</sup>	20 or less
Exciting current (DC) (A)	0.36
Releasing voltage (DC) (V)	1 or more
Exciting voltage (DC) (V)	24±2.4

• Permissible load (For details, refer to P.166)

During assembly	Radial load P-direction (N)	392
	Thrust load A-direction (N)	147
	Thrust load B-direction (N)	196
During operation	Radial load P-direction (N)	245
	Thrust load A, B-direction (N)	98

• For details of Note)1 to Note)4, refer to P.165.

• Dimensions of Driver, refer to P.48.

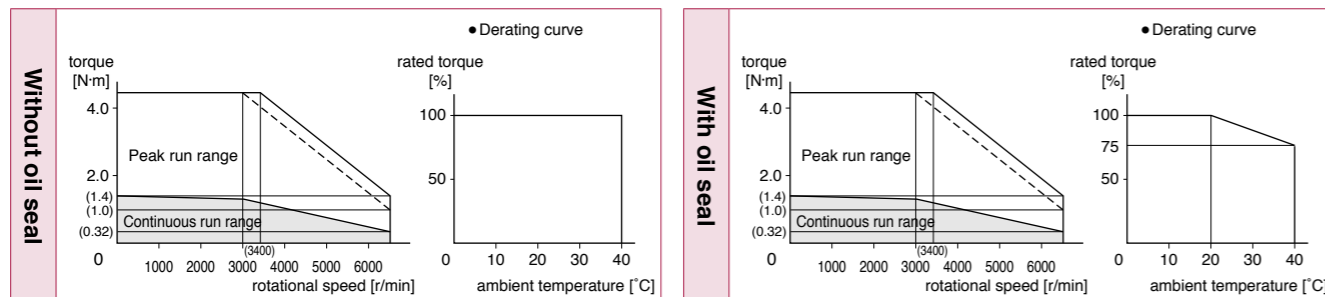
\*1 □□ in the motor part number represents the motor specifications.

\*2 Basic type and RS485 communication type are "Position control type".

Detail of model designation, refer to P.18.

\*3 When using a rotary encoder as an incremental system (not using multi-turn data), do not connect a battery for absolute encoder.

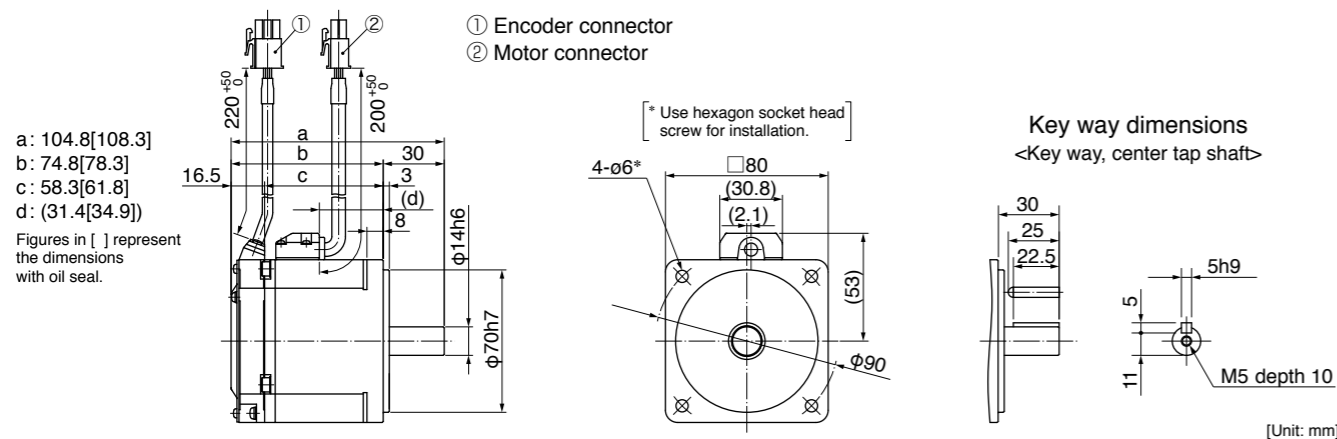
Torque characteristics (at AC100 V of power voltage <Dotted line represents the torque at 10% less supply voltage.>)



Dimensions

<without brake>

Mass: 1.5 kg (1.6 kg with oil seal)



For motors with protective lip, refer to P.103. For connector type IP67 motors, refer to P.105. • For the dimensions with brake, refer to the right page.

<Cautions> Reduce the moment of inertia ratio if high speed response operation is required. Dimensions are subject to change without notice. Contact us or a dealer for the latest information. Read the Instruction Manual carefully and understand all precautions and remarks before using the products.

Specifications

		AC200 V
Motor model <sup>1)</sup>	IP65	MQMF042L1□□
Applicable driver	Model No.	Multifunction type MBDLT25SF
		RS485 communication type <sup>2)</sup> MBDLN25SG
		Basic type <sup>2)</sup> MBDLN25SE
	Frame symbol	B-frame
Power supply capacity	(kVA)	0.9
Rated output	(W)	400
Rated torque	(N·m)	1.27
Continuous stall torque	(N·m)	1.40
Momentary Max. peak torque	(N·m)	4.46
Rated current	(A(rms))	2.1
Max. current	(A(o-p))	10.4
Regenerative brake frequency (times/min) <sup>Note)1</sup>	Without option	No limit <sup>Note)2</sup>
	DV0P4283	No limit <sup>Note)2</sup>
Rated rotational speed	(r/min)	3000
Max. rotational speed	(r/min)	6500
Moment of inertia of rotor (×10 <sup>-4</sup> kg·m <sup>2</sup> )	Without brake	0.98
	With brake	1.06
Recommended moment of inertia ratio of the load and the rotor <sup>Note)3</sup>		20 times or less
Rotary encoder specifications <sup>3)</sup>		23-bit Absolute
	Resolution per single turn	8388608

• Brake specifications (For details, refer to P.167)

(This brake will be released when it is energized.)  
(Do not use this for braking the motor in motion.)

Static friction torque (N·m)	1.6 or more
Engaging time (ms)	70 or less
Releasing time (ms) <sup>Note)4</sup>	20 or less
Exciting current (DC) (A)	0.36
Releasing voltage (DC) (V)	1 or more
Exciting voltage (DC) (V)	24±2.4

• Permissible load (For details, refer to P.166)

During assembly	Radial load P-direction (N)	392
	Thrust load A-direction (N)	147
	Thrust load B-direction (N)	196
During operation	Radial load P-direction (N)	245
	Thrust load A, B-direction (N)	98

• For details of Note)1 to Note)4, refer to P.165.

• Dimensions of Driver, refer to P.47.

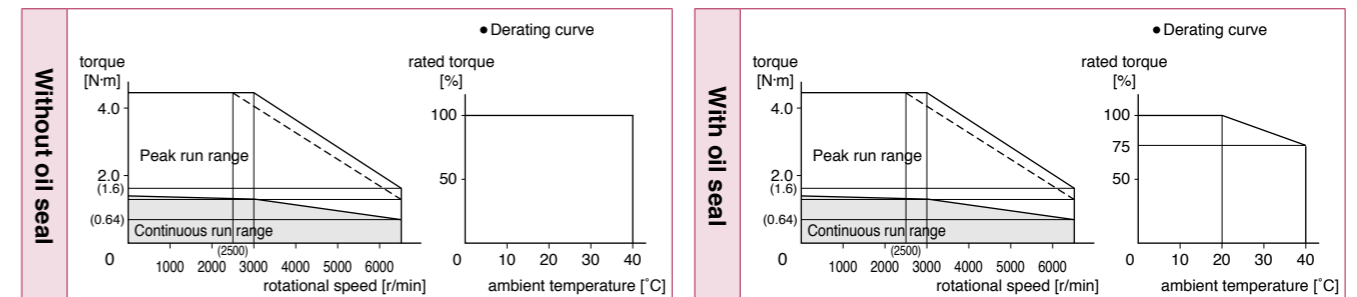
\*1 □□ in the motor part number represents the motor specifications.

\*2 Basic type and RS485 communication type are "Position control type".

Detail of model designation, refer to P.18.

\*3 When using a rotary encoder as an incremental system (not using multi-turn data), do not connect a battery for absolute encoder.

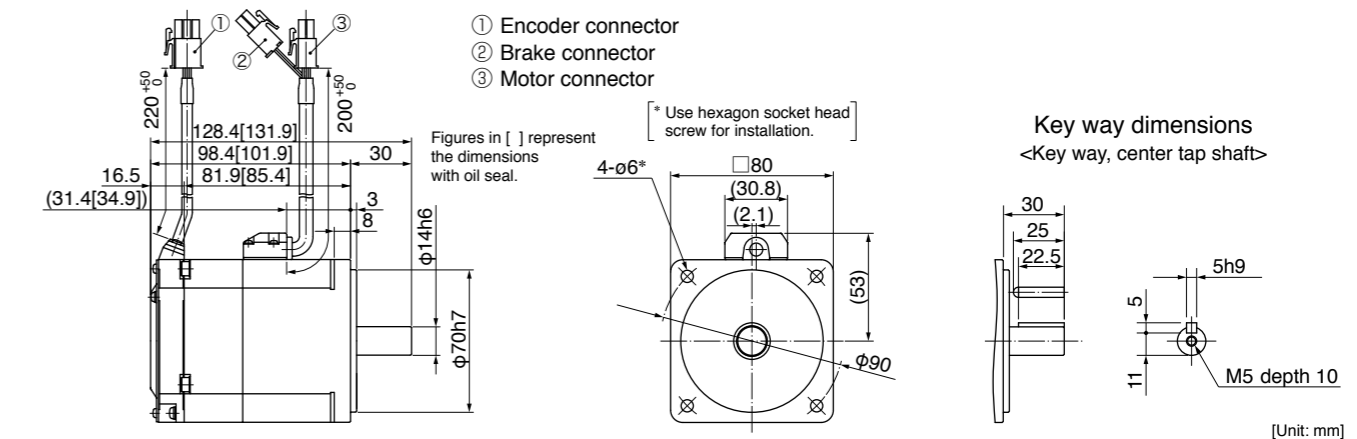
Torque characteristics (at AC200 V of power voltage <Dotted line represents the torque at 10% less supply voltage.>)



Dimensions

<with brake>

Mass: 2.0 kg (2.1 kg with oil seal)



For motors with protective lip, refer to P.103. For connector type IP67 motors, refer to P.105. • For the dimensions without brake, refer to the left page.

<Cautions> Reduce the moment of inertia ratio if high speed response operation is required. Dimensions are subject to change without notice. Contact us or a dealer for the latest information. Read the Instruction Manual carefully and understand all precautions and remarks before using the products.

Specifications

		AC100 V
Motor model <sup>1)</sup>	IP65	MHHMF5AZL1□□
Applicable driver	Model No.	Multifunction type <b>MADLT01SF</b>
		RS485 communication type <sup>2)</sup> <b>MADLN01SG</b>
		Basic type <sup>2)</sup> <b>MADLN01SE</b>
	Frame symbol	A-frame
Power supply capacity	(kVA)	0.4
Rated output	(W)	50
Rated torque	(N·m)	0.16
Continuous stall torque	(N·m)	0.18
Momentary Max. peak torque	(N·m)	0.56
Rated current	(A(rms))	1.1
Max. current	(A(o-p))	5.5
Regenerative brake frequency (times/min) <sup>Note)1</sup>	Without option	No limit <sup>Note)2</sup>
	DV0P4280	No limit <sup>Note)2</sup>
Rated rotational speed	(r/min)	3000
Max. rotational speed	(r/min)	6500
Moment of inertia of rotor (×10 <sup>-4</sup> kg·m <sup>2</sup> )	Without brake	0.038
	With brake	0.042
Recommended moment of inertia ratio of the load and the rotor <sup>Note)3</sup>		30 times or less
Rotary encoder specifications <sup>3)</sup>		23-bit Absolute
	Resolution per single turn	8388608

• Brake specifications (For details, refer to P.167)

(This brake will be released when it is energized.)  
(Do not use this for braking the motor in motion.)

Static friction torque (N·m)	0.38 or more
Engaging time (ms)	35 or less
Releasing time (ms) <sup>Note)4</sup>	20 or less
Exciting current (DC) (A)	0.30
Releasing voltage (DC) (V)	1 or more
Exciting voltage (DC) (V)	24±2.4

• Permissible load (For details, refer to P.166)

During assembly	Radial load P-direction (N)	147
	Thrust load A-direction (N)	88
	Thrust load B-direction (N)	117.6
During operation	Radial load P-direction (N)	68.6
	Thrust load A, B-direction (N)	49

• For details of Note)1 to Note)4, refer to P.165.

• Dimensions of Driver, refer to P.47.

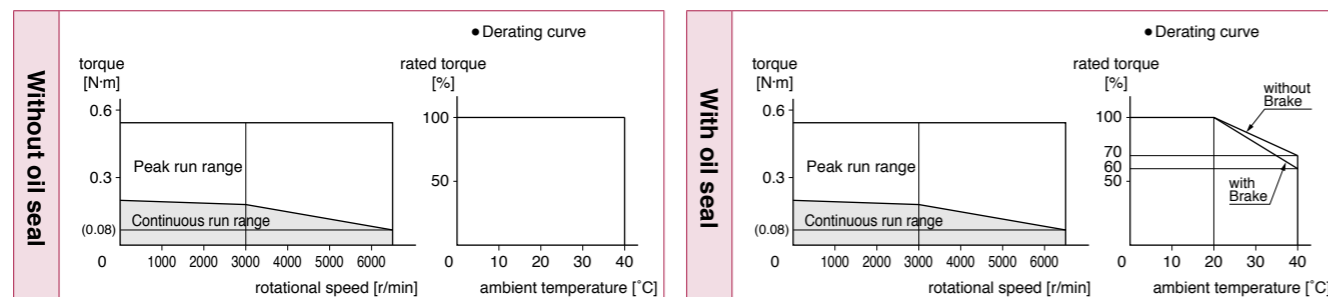
\*1 □□ in the motor part number represents the motor specifications.

\*2 Basic type and RS485 communication type are "Position control type".

Detail of model designation, refer to P.18.

\*3 When using a rotary encoder as an incremental system (not using multi-turn data), do not connect a battery for absolute encoder.

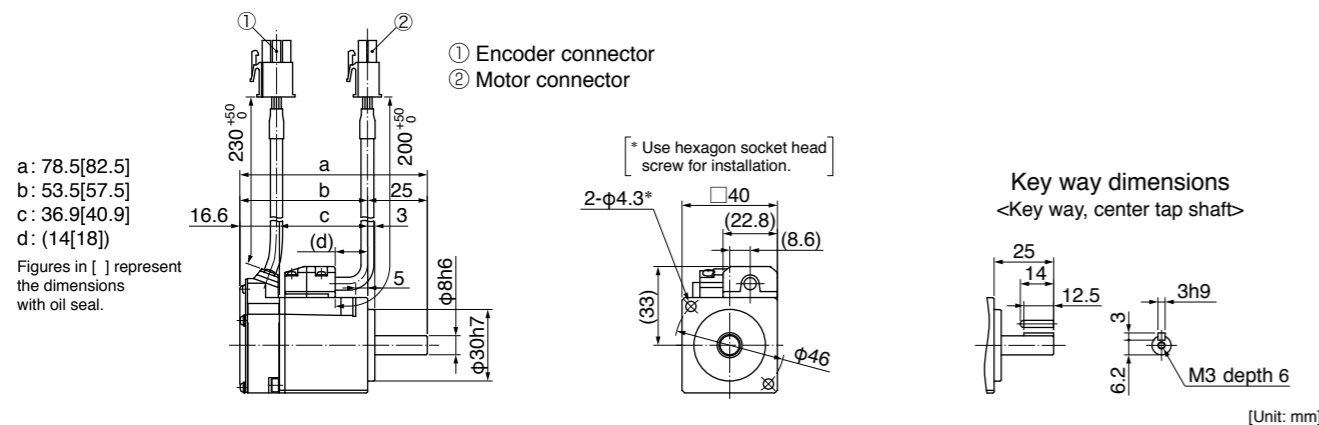
Torque characteristics (at AC100 V of power voltage <Dotted line represents the torque at 10 % less supply voltage.>)



Dimensions

<without brake>

Mass: 0.29 kg (0.31 kg with oil seal)



For motors with protective lip, refer to P.107. For connector type IP67 motors, refer to P.109. •For the dimensions with brake, refer to the right page.

<Cautions> Reduce the moment of inertia ratio if high speed response operation is required. Dimensions are subject to change without notice. Contact us or a dealer for the latest information. Read the Instruction Manual carefully and understand all precautions and remarks before using the products.

Specifications

		AC200 V
Motor model <sup>1)</sup>	IP65	MHHMF5AZL1□□
Applicable driver	Model No.	Multifunction type <b>MADLT05SF</b>
		RS485 communication type <sup>2)</sup> <b>MADLN05SG</b>
		Basic type <sup>2)</sup> <b>MADLN05SE</b>
	Frame symbol	A-frame
Power supply capacity	(kVA)	0.5
Rated output	(W)	50
Rated torque	(N·m)	0.16
Continuous stall torque	(N·m)	0.18
Momentary Max. peak torque	(N·m)	0.56
Rated current	(A(rms))	1.1
Max. current	(A(o-p))	5.5
Regenerative brake frequency (times/min) <sup>Note)1</sup>	Without option	No limit <sup>Note)2</sup>
	DV0P4281	No limit <sup>Note)2</sup>
Rated rotational speed	(r/min)	3000
Max. rotational speed	(r/min)	6500
Moment of inertia of rotor (×10 <sup>-4</sup> kg·m <sup>2</sup> )	Without brake	0.038
	With brake	0.042
Recommended moment of inertia ratio of the load and the rotor <sup>Note)3</sup>		30 times or less
Rotary encoder specifications <sup>3)</sup>		23-bit Absolute
	Resolution per single turn	8388608

• Brake specifications (For details, refer to P.167)

(This brake will be released when it is energized.)  
(Do not use this for braking the motor in motion.)

Static friction torque (N·m)	0.38 or more
Engaging time (ms)	35 or less
Releasing time (ms) <sup>Note)4</sup>	20 or less
Exciting current (DC) (A)	0.30
Releasing voltage (DC) (V)	1 or more
Exciting voltage (DC) (V)	24±2.4

• Permissible load (For details, refer to P.166)

During assembly	Radial load P-direction (N)	147
	Thrust load A-direction (N)	88
	Thrust load B-direction (N)	117.6
During operation	Radial load P-direction (N)	68.6
	Thrust load A, B-direction (N)	49

• For details of Note)1 to Note)4, refer to P.165.

• Dimensions of Driver, refer to P.47.

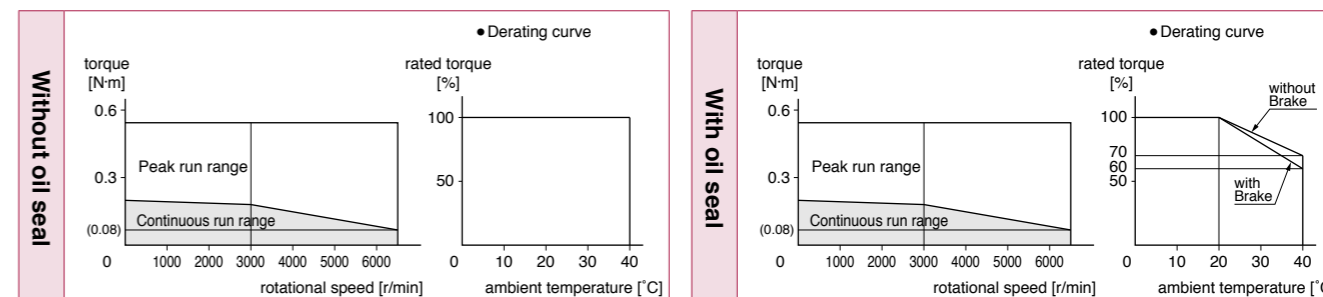
\*1 □□ in the motor part number represents the motor specifications.

\*2 Basic type and RS485 communication type are "Position control type".

Detail of model designation, refer to P.18.

\*3 When using a rotary encoder as an incremental system (not using multi-turn data), do not connect a battery for absolute encoder.

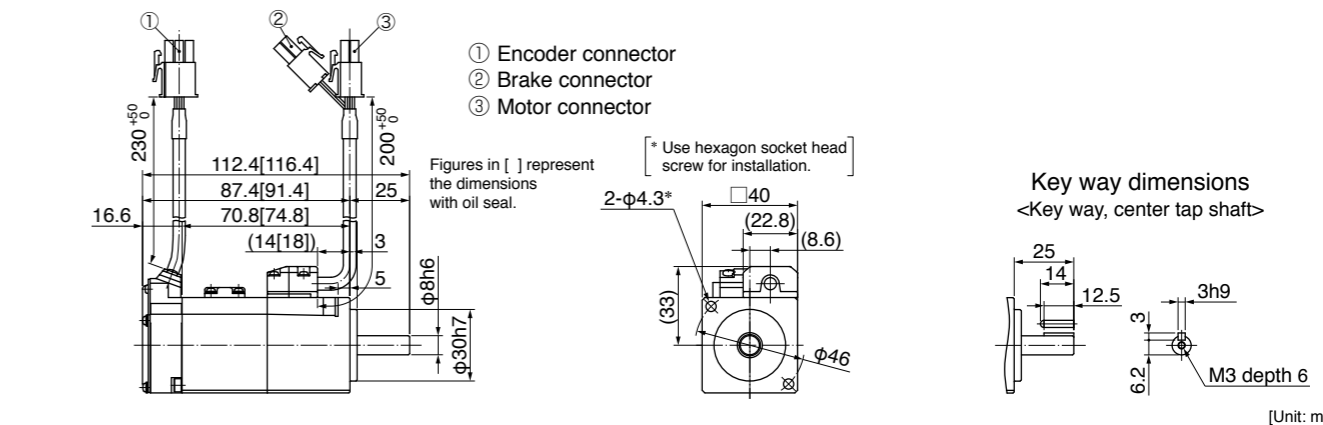
Torque characteristics (at AC200 V of power voltage <Dotted line represents the torque at 10 % less supply voltage.>)



Dimensions

<with brake>

Mass: 0.51 kg (0.53 kg with oil seal)



For motors with protective lip, refer to P.107. For connector type IP67 motors, refer to P.109. •For the dimensions without brake, refer to the left page.

<Cautions> Reduce the moment of inertia ratio if high speed response operation is required. Dimensions are subject to change without notice. Contact us or a dealer for the latest information. Read the Instruction Manual carefully and understand all precautions and remarks before using the products.

Specifications

		AC100 V
Motor model <sup>1)</sup>	IP65	MHHMF011L1□□
Applicable driver	Model No.	MADLT11SF
	Multifunction type	MADLN11SG
	RS485 communication type <sup>2)</sup>	MADLN11SE
	Basic type <sup>2)</sup>	
	Frame symbol	A-frame
Power supply capacity	(kVA)	0.4
Rated output	(W)	100
Rated torque	(N·m)	0.32
Continuous stall torque	(N·m)	0.33
Momentary Max. peak torque	(N·m)	1.11
Rated current	(A(rms))	1.6
Max. current	(A(o-p))	7.9
Regenerative brake frequency (times/min) Note1	Without option	No limit Note2
	DV0P4280	No limit Note2
Rated rotational speed	(r/min)	3000
Max. rotational speed	(r/min)	6500
Moment of inertia of rotor (×10 <sup>-4</sup> kg·m <sup>2</sup> )	Without brake	0.071
	With brake	0.074
Recommended moment of inertia ratio of the load and the rotor Note3		30 times or less
Rotary encoder specifications <sup>3)</sup>		23-bit Absolute
	Resolution per single turn	8388608

• Brake specifications (For details, refer to P.167)

(This brake will be released when it is energized.)  
(Do not use this for braking the motor in motion.)

Static friction torque (N·m)	0.38 or more
Engaging time (ms)	35 or less
Releasing time (ms) Note4	20 or less
Exciting current (DC) (A)	0.30
Releasing voltage (DC) (V)	1 or more
Exciting voltage (DC) (V)	24±2.4

• Permissible load (For details, refer to P.166)

During assembly	Radial load P-direction (N)	147
	Thrust load A-direction (N)	88
	Thrust load B-direction (N)	117.6
During operation	Radial load P-direction (N)	68.6
	Thrust load A, B-direction (N)	58.8

• For details of Note1 to Note4, refer to P.165.

• Dimensions of Driver, refer to P.47.

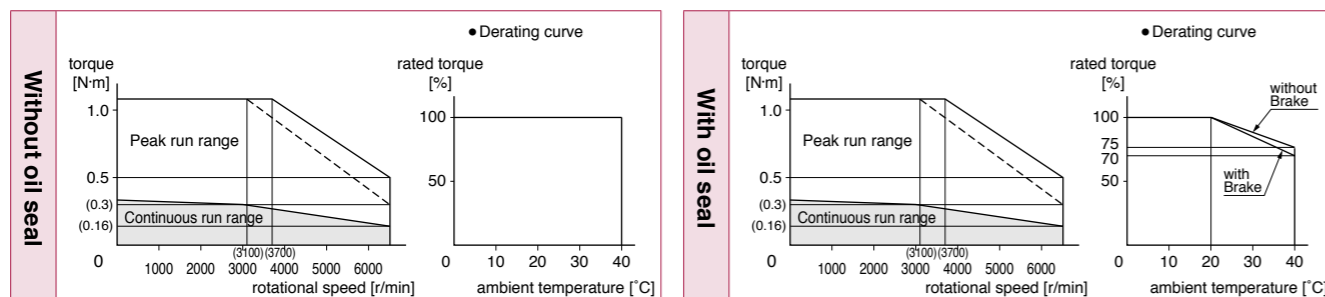
\*1 □□ in the motor part number represents the motor specifications.

\*2 Basic type and RS485 communication type are "Position control type".

Detail of model designation, refer to P.18.

\*3 When using a rotary encoder as an incremental system (not using multi-turn data), do not connect a battery for absolute encoder.

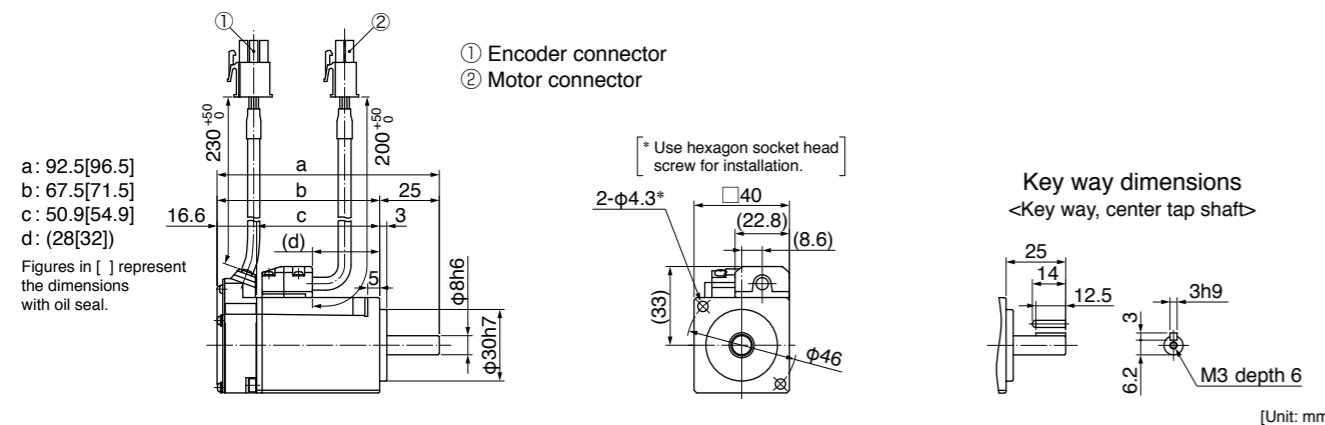
Torque characteristics (at AC100 V of power voltage <Dotted line represents the torque at 10% less supply voltage.>)



Dimensions

<without brake>

Mass: 0.40 kg (0.42 kg with oil seal)



For motors with protective lip, refer to P.107. For connector type IP67 motors, refer to P.109. •For the dimensions with brake, refer to the right page.

<Cautions> Reduce the moment of inertia ratio if high speed response operation is required. Dimensions are subject to change without notice. Contact us or a dealer for the latest information. Read the Instruction Manual carefully and understand all precautions and remarks before using the products.

Specifications

		AC200 V
Motor model <sup>1)</sup>	IP65	MHHMF012L1□□
Applicable driver	Model No.	MADLT05SF
	Multifunction type	MADLN05SG
	RS485 communication type <sup>2)</sup>	MADLN05SE
	Basic type <sup>2)</sup>	
	Frame symbol	A-frame
Power supply capacity	(kVA)	0.5
Rated output	(W)	100
Rated torque	(N·m)	0.32
Continuous stall torque	(N·m)	0.33
Momentary Max. peak torque	(N·m)	1.11
Rated current	(A(rms))	1.1
Max. current	(A(o-p))	5.5
Regenerative brake frequency (times/min) Note1	Without option	No limit Note2
	DV0P4281	No limit Note2
Rated rotational speed	(r/min)	3000
Max. rotational speed	(r/min)	6500
Moment of inertia of rotor (×10 <sup>-4</sup> kg·m <sup>2</sup> )	Without brake	0.071
	With brake	0.074
Recommended moment of inertia ratio of the load and the rotor Note3		30 times or less
Rotary encoder specifications <sup>3)</sup>		23-bit Absolute
	Resolution per single turn	8388608

• Brake specifications (For details, refer to P.167)

(This brake will be released when it is energized.)  
(Do not use this for braking the motor in motion.)

Static friction torque (N·m)	0.38 or more
Engaging time (ms)	35 or less
Releasing time (ms) Note4	20 or less
Exciting current (DC) (A)	0.30
Releasing voltage (DC) (V)	1 or more
Exciting voltage (DC) (V)	24±2.4

• Permissible load (For details, refer to P.166)

During assembly	Radial load P-direction (N)	147
	Thrust load A-direction (N)	88
	Thrust load B-direction (N)	117.6
During operation	Radial load P-direction (N)	68.6
	Thrust load A, B-direction (N)	58.8

• For details of Note1 to Note4, refer to P.165.

• Dimensions of Driver, refer to P.47.

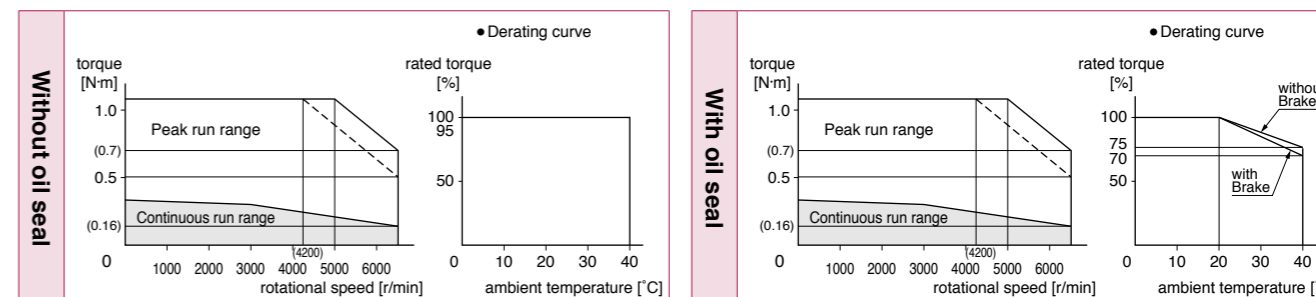
\*1 □□ in the motor part number represents the motor specifications.

\*2 Basic type and RS485 communication type are "Position control type".

Detail of model designation, refer to P.18.

\*3 When using a rotary encoder as an incremental system (not using multi-turn data), do not connect a battery for absolute encoder.

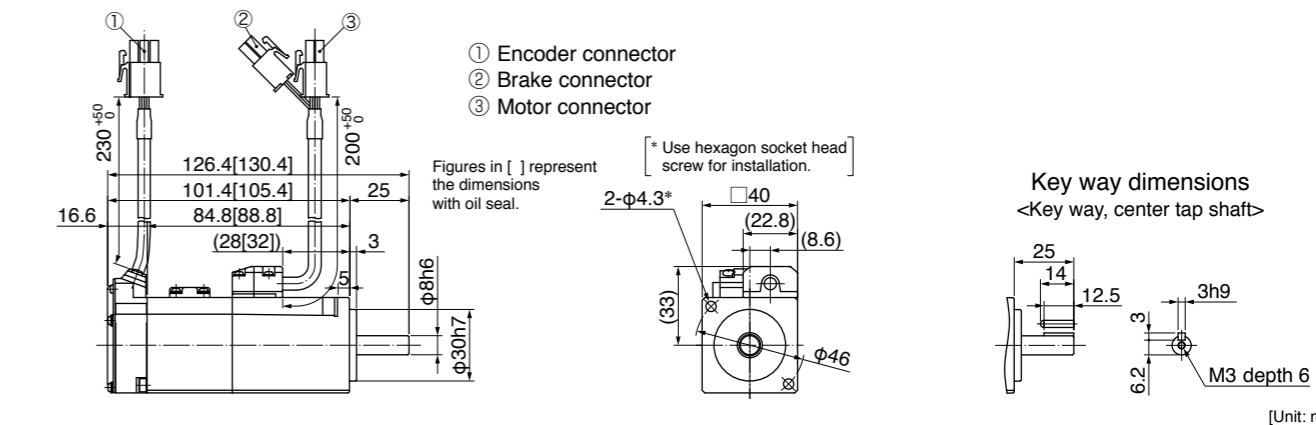
Torque characteristics (at AC200 V of power voltage <Dotted line represents the torque at 10% less supply voltage.>)



Dimensions

<with brake>

Mass: 0.62 kg (0.64 kg with oil seal)



For motors with protective lip, refer to P.107. For connector type IP67 motors, refer to P.109. •For the dimensions without brake, refer to the left page.

<Cautions> Reduce the moment of inertia ratio if high speed response operation is required. Dimensions are subject to change without notice. Contact us or a dealer for the latest information. Read the Instruction Manual carefully and understand all precautions and remarks before using the products.

Specifications

		AC100 V
Motor model <sup>*1</sup>	IP65	MHPF021L1□□
Applicable driver	Model No.	
	Multifunction type	MBDLT21SF
	RS485 communication type <sup>*2</sup>	MBDLN21SG
	Basic type <sup>*2</sup>	MBDLN21SE
	Frame symbol	B-frame
Power supply capacity	(kVA)	0.5
Rated output	(W)	200
Rated torque	(N·m)	0.64
Continuous stall torque	(N·m)	0.76
Momentary Max. peak torque	(N·m)	2.23
Rated current	(A(rms))	2.1
Max. current	(A(o-p))	10.4
Regenerative brake frequency (times/min) <sup>Note)1</sup>	Without option	No limit <sup>Note)2</sup>
	DV0P4283	No limit <sup>Note)2</sup>
Rated rotational speed	(r/min)	3000
Max. rotational speed	(r/min)	6500
Moment of inertia of rotor (×10 <sup>-4</sup> kg·m <sup>2</sup> )	Without brake	0.29
	With brake	0.31
Recommended moment of inertia ratio of the load and the rotor <sup>Note)3</sup>		30 times or less
Rotary encoder specifications <sup>*3</sup>		23-bit Absolute
	Resolution per single turn	8388608

• **Brake specifications** (For details, refer to P.167)  
(This brake will be released when it is energized.)  
(Do not use this for braking the motor in motion.)

Static friction torque (N·m)	1.6 or more
Engaging time (ms)	50 or less
Releasing time (ms) <sup>Note)4</sup>	20 or less
Exciting current (DC) (A)	0.36
Releasing voltage (DC) (V)	1 or more
Exciting voltage (DC) (V)	24±2.4

• **Permissible load** (For details, refer to P.166)

During assembly	Radial load P-direction (N)	392
	Thrust load A-direction (N)	147
	Thrust load B-direction (N)	196
During operation	Radial load P-direction (N)	245
	Thrust load A, B-direction (N)	98

• For details of Note)1 to Note)4, refer to P.165.  
• Dimensions of Driver, refer to P.47.

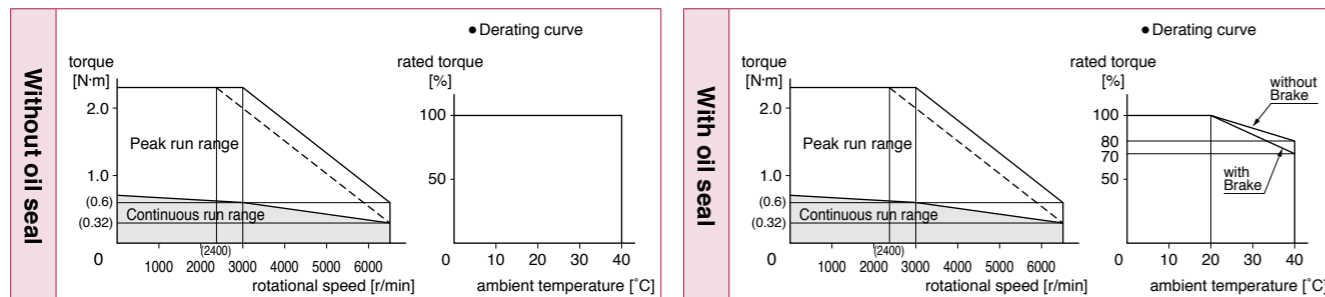
\*1 □□ in the motor part number represents the motor specifications.

\*2 Basic type and RS485 communication type are "Position control type".

Detail of model designation, refer to P.18.

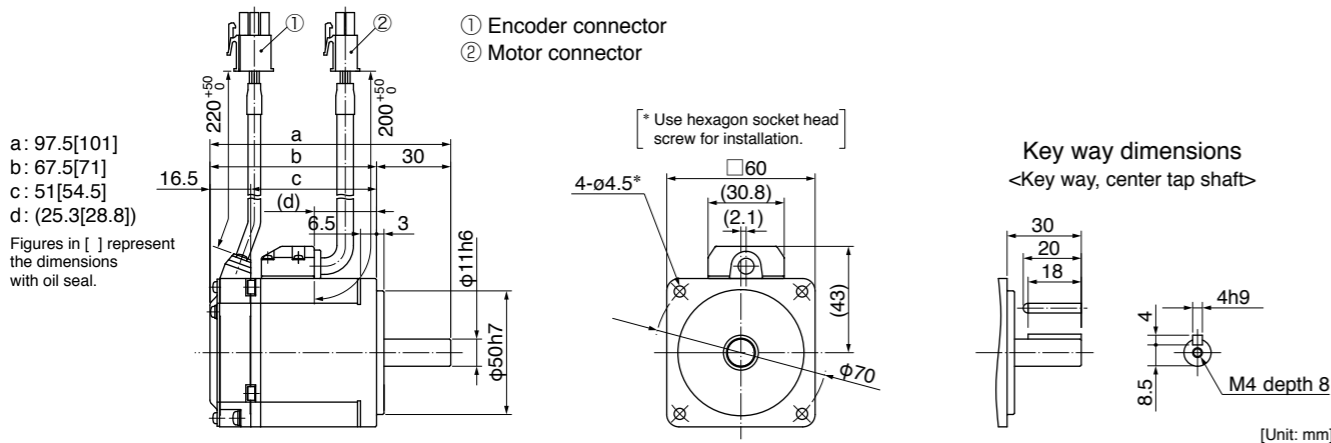
\*3 When using a rotary encoder as an incremental system (not using multi-turn data), do not connect a battery for absolute encoder.

Torque characteristics (at AC100 V of power voltage <Dotted line represents the torque at 10% less supply voltage.>)



Dimensions

<without brake>



For motors with protective lip, refer to P.107. For connector type IP67 motors, refer to P.110. •For the dimensions with brake, refer to the right page.

<Cautions> Reduce the moment of inertia ratio if high speed response operation is required. Dimensions are subject to change without notice. Contact us or a dealer for the latest information. Read the Instruction Manual carefully and understand all precautions and remarks before using the products.

Specifications

		AC200 V
Motor model <sup>*1</sup>	IP65	MHPF022L1□□
Applicable driver	Model No.	
	Multifunction type	MADLT15SF
	RS485 communication type <sup>*2</sup>	MADLN15SG
	Basic type <sup>*2</sup>	MADLN15SE
	Frame symbol	A-frame
Power supply capacity	(kVA)	0.5
Rated output	(W)	200
Rated torque	(N·m)	0.64
Continuous stall torque	(N·m)	0.76
Momentary Max. peak torque	(N·m)	2.23
Rated current	(A(rms))	1.4
Max. current	(A(o-p))	6.9
Regenerative brake frequency (times/min) <sup>Note)1</sup>	Without option	No limit <sup>Note)2</sup>
	DV0P4283	No limit <sup>Note)2</sup>
Rated rotational speed	(r/min)	3000
Max. rotational speed	(r/min)	6500
Moment of inertia of rotor (×10 <sup>-4</sup> kg·m <sup>2</sup> )	Without brake	0.29
	With brake	0.31
Recommended moment of inertia ratio of the load and the rotor <sup>Note)3</sup>		30 times or less
Rotary encoder specifications <sup>*3</sup>		23-bit Absolute
	Resolution per single turn	8388608

• **Brake specifications** (For details, refer to P.167)  
(This brake will be released when it is energized.)  
(Do not use this for braking the motor in motion.)

Static friction torque (N·m)	1.6 or more
Engaging time (ms)	50 or less
Releasing time (ms) <sup>Note)4</sup>	20 or less
Exciting current (DC) (A)	0.36
Releasing voltage (DC) (V)	1 or more
Exciting voltage (DC) (V)	24±2.4

• **Permissible load** (For details, refer to P.166)

During assembly	Radial load P-direction (N)	392
	Thrust load A-direction (N)	147
	Thrust load B-direction (N)	196
During operation	Radial load P-direction (N)	245
	Thrust load A, B-direction (N)	98

• For details of Note)1 to Note)4, refer to P.165.  
• Dimensions of Driver, refer to P.47.

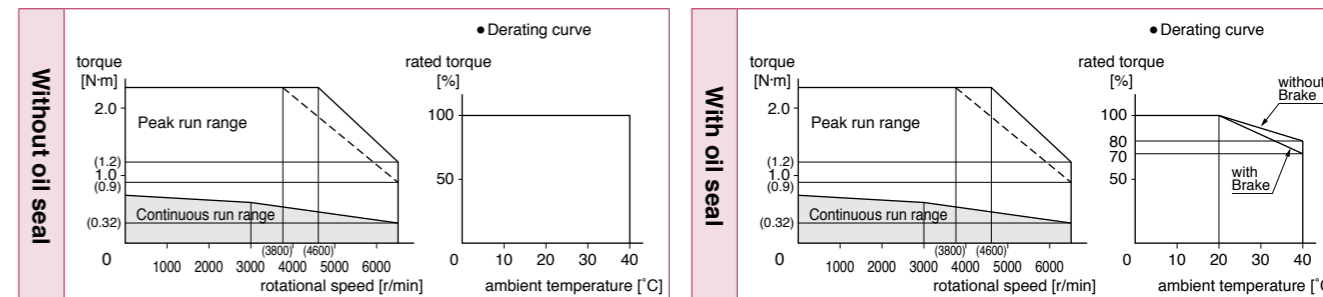
\*1 □□ in the motor part number represents the motor specifications.

\*2 Basic type and RS485 communication type are "Position control type".

Detail of model designation, refer to P.18.

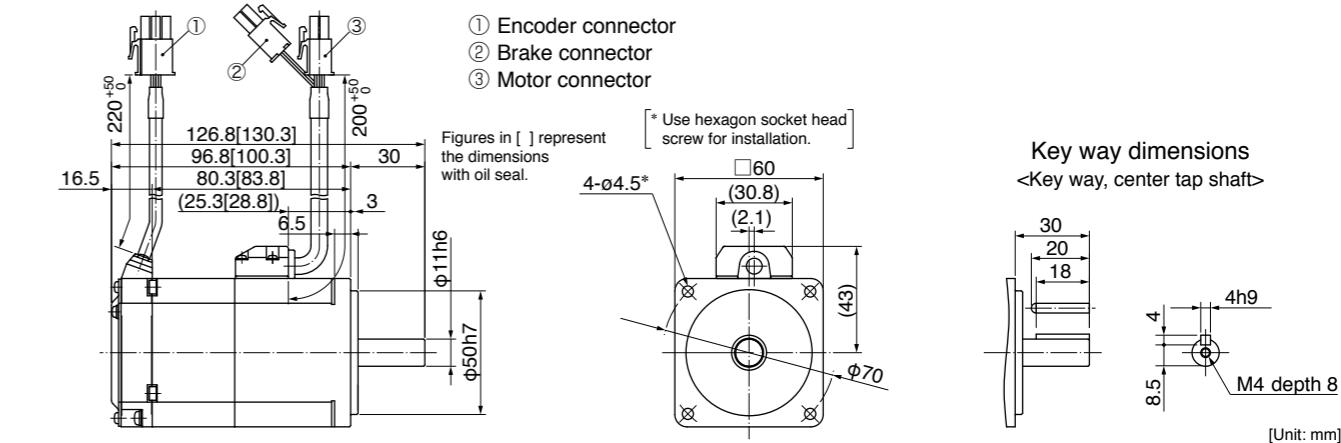
\*3 When using a rotary encoder as an incremental system (not using multi-turn data), do not connect a battery for absolute encoder.

Torque characteristics (at AC200 V of power voltage <Dotted line represents the torque at 10% less supply voltage.>)



Dimensions

<with brake>



For motors with protective lip, refer to P.107. For connector type IP67 motors, refer to P.110. •For the dimensions without brake, refer to the left page.

<Cautions> Reduce the moment of inertia ratio if high speed response operation is required. Dimensions are subject to change without notice. Contact us or a dealer for the latest information. Read the Instruction Manual carefully and understand all precautions and remarks before using the products.



Specifications

		AC100 V
Motor model <sup>*1</sup>	IP65	MHPF041L1□□
Applicable driver	Model No.	Multifunction type MCDLT31SF
		RS485 communication type <sup>*2</sup> MCDLN31SG
		Basic type <sup>*2</sup> MCDLN31SE
	Frame symbol	C-frame
Power supply capacity	(kVA)	0.9
Rated output	(W)	400
Rated torque	(N·m)	1.27
Continuous stall torque	(N·m)	1.40
Momentary Max. peak torque	(N·m)	4.46
Rated current	(A(rms))	4.1
Max. current	(A(o-p))	20.3
Regenerative brake frequency (times/min) <sup>Note1</sup>	Without option	No limit <sup>Note2</sup>
	DV0P4282	No limit <sup>Note2</sup>
Rated rotational speed	(r/min)	3000
Max. rotational speed	(r/min)	6500
Moment of inertia of rotor (×10 <sup>-4</sup> kg·m <sup>2</sup> )	Without brake	0.56
	With brake	0.58
Recommended moment of inertia ratio of the load and the rotor <sup>Note3</sup>		30 times or less
Rotary encoder specifications <sup>*3</sup>		23-bit Absolute
	Resolution per single turn	8388608

• Brake specifications (For details, refer to P.167)

(This brake will be released when it is energized.)  
(Do not use this for braking the motor in motion.)

Static friction torque (N·m)	1.6 or more
Engaging time (ms)	50 or less
Releasing time (ms) <sup>Note4</sup>	20 or less
Exciting current (DC) (A)	0.36
Releasing voltage (DC) (V)	1 or more
Exciting voltage (DC) (V)	24±2.4

• Permissible load (For details, refer to P.166)

During assembly	Radial load P-direction (N)	392
	Thrust load A-direction (N)	147
	Thrust load B-direction (N)	196
During operation	Radial load P-direction (N)	245
	Thrust load A, B-direction (N)	98

• For details of Note1 to Note4, refer to P.165.

• Dimensions of Driver, refer to P.48.

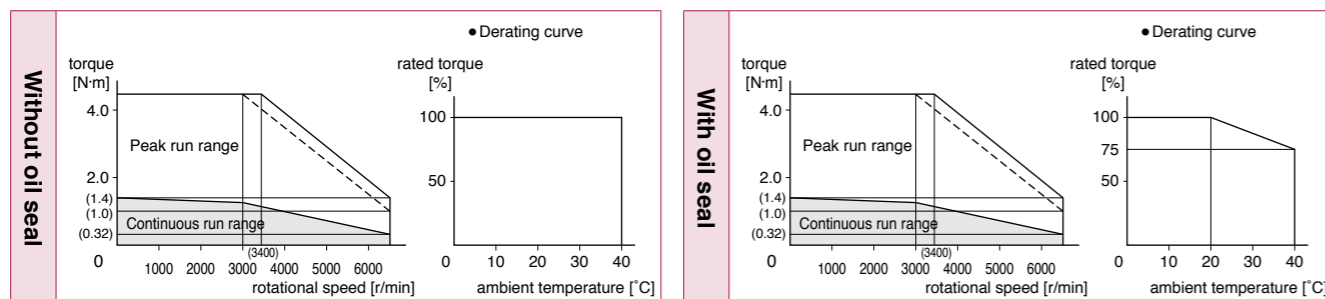
\*1 □□ in the motor part number represents the motor specifications.

\*2 Basic type and RS485 communication type are "Position control type".

Detail of model designation, refer to P.18.

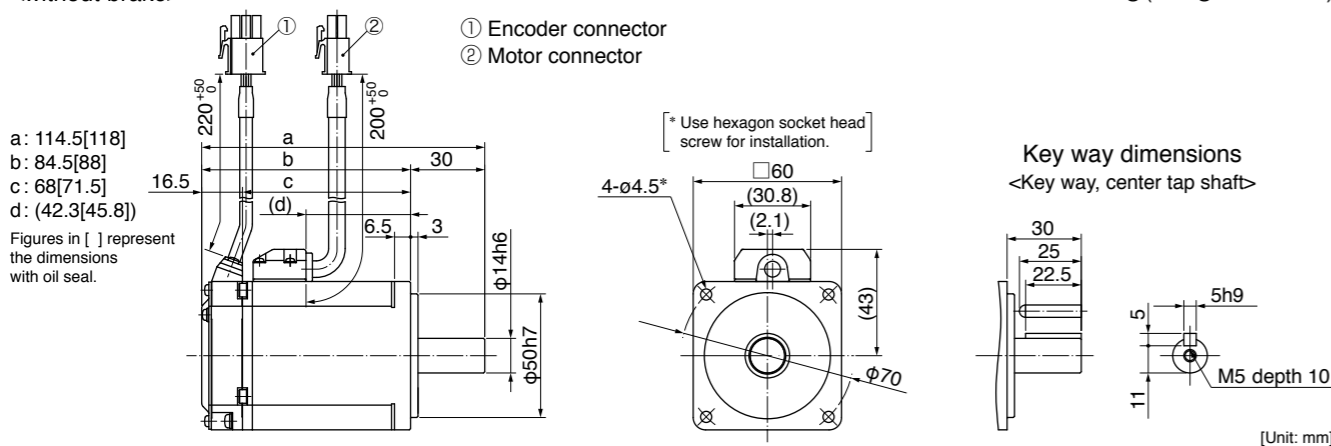
\*3 When using a rotary encoder as an incremental system (not using multi-turn data), do not connect a battery for absolute encoder.

Torque characteristics (at AC100 V of power voltage <Dotted line represents the torque at 10% less supply voltage.>)



Dimensions

<without brake>



For motors with protective lip, refer to P.108. For connector type IP67 motors, refer to P.110. • For the dimensions with brake, refer to the right page.

<Cautions> Reduce the moment of inertia ratio if high speed response operation is required. Dimensions are subject to change without notice. Contact us or a dealer for the latest information. Read the Instruction Manual carefully and understand all precautions and remarks before using the products.

Specifications

		AC200 V
Motor model <sup>*1</sup>	IP65	MHPF042L1□□
Applicable driver	Model No.	Multifunction type MBDLT25SF
		RS485 communication type <sup>*2</sup> MBDLN25SG
		Basic type <sup>*2</sup> MBDLN25SE
	Frame symbol	B-frame
Power supply capacity	(kVA)	0.9
Rated output	(W)	400
Rated torque	(N·m)	1.27
Continuous stall torque	(N·m)	1.40
Momentary Max. peak torque	(N·m)	4.46
Rated current	(A(rms))	2.1
Max. current	(A(o-p))	10.4
Regenerative brake frequency (times/min) <sup>Note1</sup>	Without option	No limit <sup>Note2</sup>
	DV0P4283	No limit <sup>Note2</sup>
Rated rotational speed	(r/min)	3000
Max. rotational speed	(r/min)	6500
Moment of inertia of rotor (×10 <sup>-4</sup> kg·m <sup>2</sup> )	Without brake	0.56
	With brake	0.58
Recommended moment of inertia ratio of the load and the rotor <sup>Note3</sup>		30 times or less
Rotary encoder specifications <sup>*3</sup>		23-bit Absolute
	Resolution per single turn	8388608

• Brake specifications (For details, refer to P.167)

(This brake will be released when it is energized.)  
(Do not use this for braking the motor in motion.)

Static friction torque (N·m)	1.6 or more
Engaging time (ms)	50 or less
Releasing time (ms) <sup>Note4</sup>	20 or less
Exciting current (DC) (A)	0.36
Releasing voltage (DC) (V)	1 or more
Exciting voltage (DC) (V)	24±2.4

• Permissible load (For details, refer to P.166)

During assembly	Radial load P-direction (N)	392
	Thrust load A-direction (N)	147
	Thrust load B-direction (N)	196
During operation	Radial load P-direction (N)	245
	Thrust load A, B-direction (N)	98

• For details of Note1 to Note4, refer to P.165.

• Dimensions of Driver, refer to P.47.

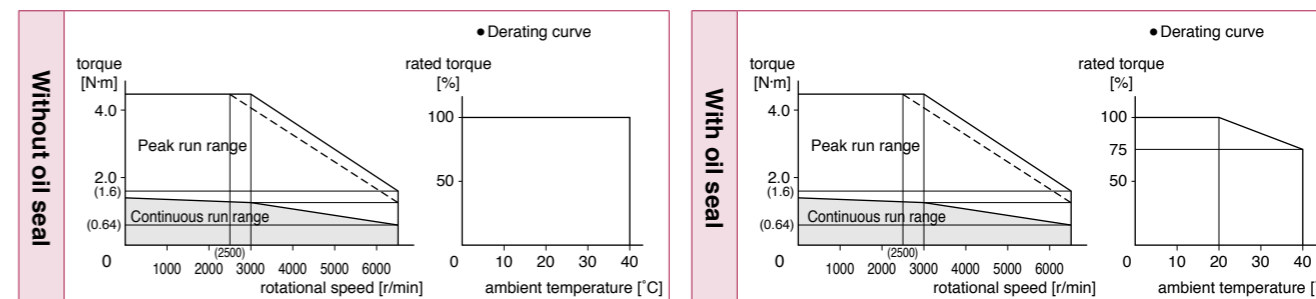
\*1 □□ in the motor part number represents the motor specifications.

\*2 Basic type and RS485 communication type are "Position control type".

Detail of model designation, refer to P.18.

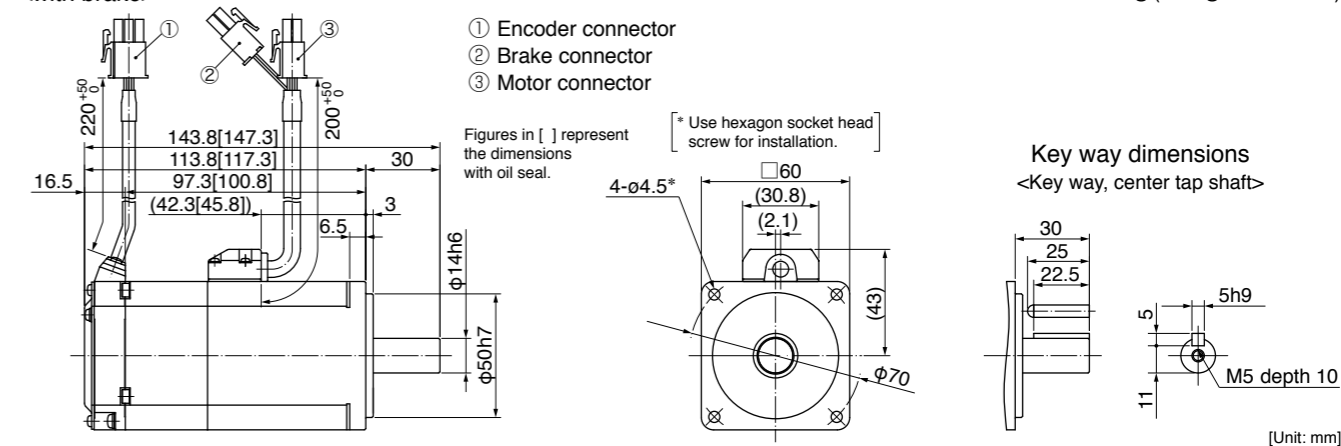
\*3 When using a rotary encoder as an incremental system (not using multi-turn data), do not connect a battery for absolute encoder.

Torque characteristics (at AC200 V of power voltage <Dotted line represents the torque at 10% less supply voltage.>)



Dimensions

<with brake>



For motors with protective lip, refer to P.108. For connector type IP67 motors, refer to P.110. • For the dimensions without brake, refer to the left page.

<Cautions> Reduce the moment of inertia ratio if high speed response operation is required. Dimensions are subject to change without notice. Contact us or a dealer for the latest information. Read the Instruction Manual carefully and understand all precautions and remarks before using the products.

Specifications

		AC200 V
Motor model <sup>*1</sup>	IP65	MHPF082L1□□
Applicable driver	Model No.	Multifunction type MCDLT35SF
		RS485 communication type <sup>*2</sup> MCDLN35SG
		Basic type <sup>*2</sup> MCDLN35SE
	Frame symbol	C-frame
Power supply capacity	(kVA)	1.3
Rated output	(W)	750
Rated torque	(N·m)	2.39
Continuous stall torque	(N·m)	2.86
Momentary Max. peak torque	(N·m)	8.36
Rated current	(A(rms))	3.8
Max. current	(A(o-p))	18.8
Regenerative brake frequency (times/min) <sup>Note1</sup>	Without option	No limit <sup>Note2</sup>
	DV0P4283	No limit <sup>Note2</sup>
Rated rotational speed	(r/min)	3000
Max. rotational speed	(r/min)	6000
Moment of inertia of rotor (×10 <sup>-4</sup> kg·m <sup>2</sup> )	Without brake	1.56
	With brake	1.66
Recommended moment of inertia ratio of the load and the rotor <sup>Note3</sup>		20 times or less
Rotary encoder specifications <sup>*3</sup>		23-bit Absolute
	Resolution per single turn	8388608

• Brake specifications (For details, refer to P.167)

(This brake will be released when it is energized.)  
(Do not use this for braking the motor in motion.)

Static friction torque (N·m)	3.8 or more
Engaging time (ms)	70 or less
Releasing time (ms) <sup>Note4</sup>	20 or less
Exciting current (DC) (A)	0.42
Releasing voltage (DC) (V)	1 or more
Exciting voltage (DC) (V)	24±2.4

• Permissible load (For details, refer to P.166)

During assembly	Radial load P-direction (N)	686
	Thrust load A-direction (N)	294
	Thrust load B-direction (N)	392
During operation	Radial load P-direction (N)	392
	Thrust load A, B-direction (N)	147

• For details of Note1 to Note4, refer to P.165.

• Dimensions of Driver, refer to P.48.

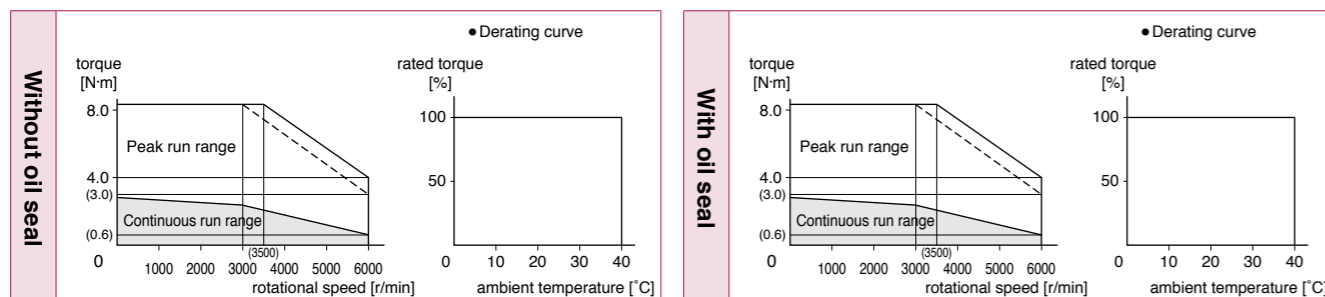
\*1 □□ in the motor part number represents the motor specifications.

\*2 Basic type and RS485 communication type are "Position control type".

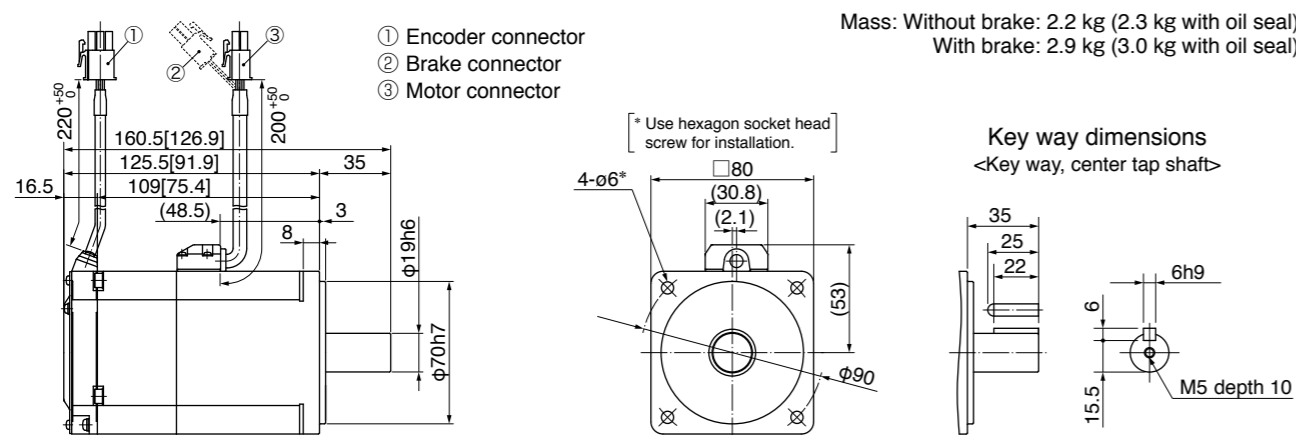
Detail of model designation, refer to P.18.

\*3 When using a rotary encoder as an incremental system (not using multi-turn data), do not connect a battery for absolute encoder.

Torque characteristics (at AC200 V of power voltage <Dotted line represents the torque at 10% less supply voltage.>)



Dimensions



• Figures in [ ] represent the dimensions without brake.

[Unit: mm]

For motors with oil seal, refer to P.106. For motors with protective lip, refer to P.108. For connector type IP67 motors, refer to P.111.

<Cautions> Reduce the moment of inertia ratio if high speed response operation is required. Dimensions are subject to change without notice. Contact us or a dealer for the latest information. Read the Instruction Manual carefully and understand all precautions and remarks before using the products.

Specifications

		AC200 V
Motor model <sup>*1</sup>	IP65	MHPF092L1□□
Applicable driver	Model No.	Multifunction type MDDL55SF
		RS485 communication type <sup>*2</sup> MDDL55SG
		Basic type <sup>*2</sup> MDDL55SE
	Frame symbol	D-frame
Power supply capacity	(kVA)	2.3
Rated output	(W)	1000
Rated torque	(N·m)	3.18
Continuous stall torque	(N·m)	3.34
Momentary Max. peak torque	(N·m)	11.1
Rated current	(A(rms))	5.7
Max. current	(A(o-p))	28.2
Regenerative brake frequency (times/min) <sup>Note1</sup>	Without option	No limit <sup>Note2</sup>
	DV0P4284	No limit <sup>Note2</sup>
Rated rotational speed	(r/min)	3000
Max. rotational speed	(r/min)	6000
Moment of inertia of rotor (×10 <sup>-4</sup> kg·m <sup>2</sup> )	Without brake	2.03
	With brake	2.13
Recommended moment of inertia ratio of the load and the rotor <sup>Note3</sup>		20 times or less
Rotary encoder specifications <sup>*3</sup>		23-bit Absolute
	Resolution per single turn	8388608

• Brake specifications (For details, refer to P.167)

(This brake will be released when it is energized.)  
(Do not use this for braking the motor in motion.)

Static friction torque (N·m)	3.8 or more
Engaging time (ms)	70 or less
Releasing time (ms) <sup>Note4</sup>	20 or less
Exciting current (DC) (A)	0.42
Releasing voltage (DC) (V)	1 or more
Exciting voltage (DC) (V)	24±2.4

• Permissible load (For details, refer to P.166)

During assembly	Radial load P-direction (N)	686
	Thrust load A-direction (N)	294
	Thrust load B-direction (N)	392
During operation	Radial load P-direction (N)	392
	Thrust load A, B-direction (N)	147

• For details of Note1 to Note4, refer to P.165.

• Dimensions of Driver, refer to P.48.

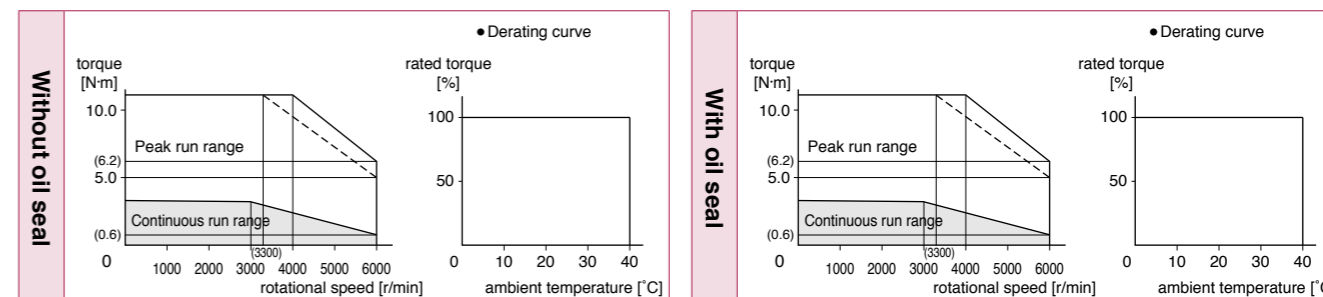
\*1 □□ in the motor part number represents the motor specifications.

\*2 Basic type and RS485 communication type are "Position control type".

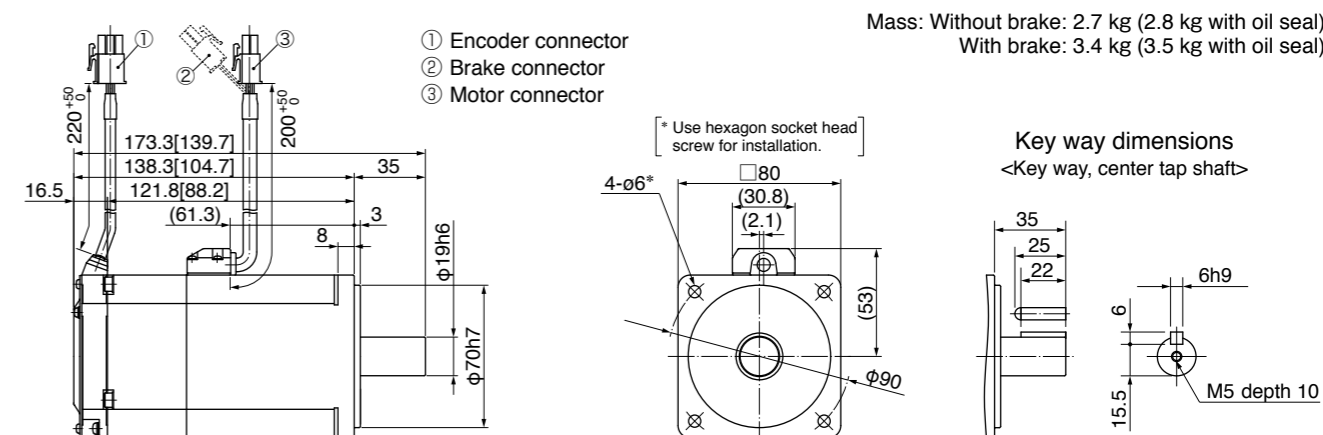
Detail of model designation, refer to P.18.

\*3 When using a rotary encoder as an incremental system (not using multi-turn data), do not connect a battery for absolute encoder.

Torque characteristics (at AC200 V of power voltage <Dotted line represents the torque at 10% less supply voltage.>)



Dimensions



• Figures in [ ] represent the dimensions without brake.

[Unit: mm]

For motors with oil seal, refer to P.106. For motors with protective lip, refer to P.108. For connector type IP67 motors, refer to P.111.

<Cautions> Reduce the moment of inertia ratio if high speed response operation is required. Dimensions are subject to change without notice. Contact us or a dealer for the latest information. Read the Instruction Manual carefully and understand all precautions and remarks before using the products.

Specifications

		AC200 V
Motor model <sup>1)</sup>	IP67	MHMF102L1□□
Applicable driver	Model No.	Multifunction type MDDLTL45SF
		RS485 communication type <sup>2)</sup> MDDLNL45SG
		Basic type <sup>2)</sup> MDDLNL45SE
	Frame symbol	D-frame
Power supply capacity	(kVA)	1.8
Rated output	(W)	1000
Rated torque	(N·m)	4.77
Continuous stall torque	(N·m)	5.25
Momentary Max. peak torque	(N·m)	14.3
Rated current	(A(rms))	5.2
Max. current	(A(o-p))	22
Regenerative brake frequency (times/min) <sup>Note)1</sup>	Without option	No limit <sup>Note)2</sup>
	DV0P4284	No limit <sup>Note)2</sup>
Rated rotational speed	(r/min)	2000
Max. rotational speed	(r/min)	3000
Moment of inertia of rotor (×10 <sup>-4</sup> kg·m <sup>2</sup> )	Without brake	22.9
	With brake	24.1
Recommended moment of inertia ratio of the load and the rotor <sup>Note)3</sup>		5 times or less
Rotary encoder specifications <sup>3)</sup>		23-bit Absolute
	Resolution per single turn	8388608

• Brake specifications (For details, refer to P.167)

(This brake will be released when it is energized.)  
(Do not use this for braking the motor in motion.)

Static friction torque (N·m)	13.7 or more
Engaging time (ms)	100 or less
Releasing time (ms) <sup>Note)4</sup>	50 or less
Exciting current (DC) (A)	0.79±10 %
Releasing voltage (DC) (V)	2 or more
Exciting voltage (DC) (V)	24±2.4

• Permissible load (For details, refer to P.166)

During assembly	Radial load P-direction (N)	980
	Thrust load A-direction (N)	588
	Thrust load B-direction (N)	686
During operation	Radial load P-direction (N)	490
	Thrust load A, B-direction (N)	196

• For details of Note)1 to Note)4, refer to P.165.

• Dimensions of Driver, refer to P.48.

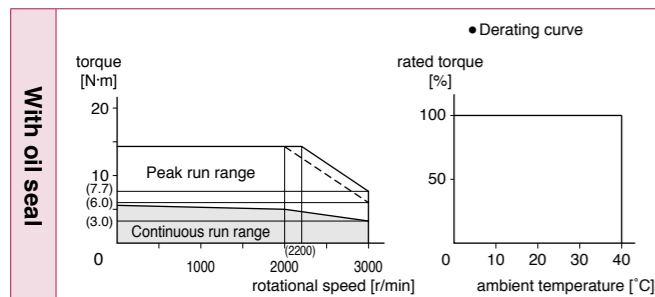
\*1 □□ in the motor part number represents the motor specifications.

\*2 Basic type and RS485 communication type are "Position control type".

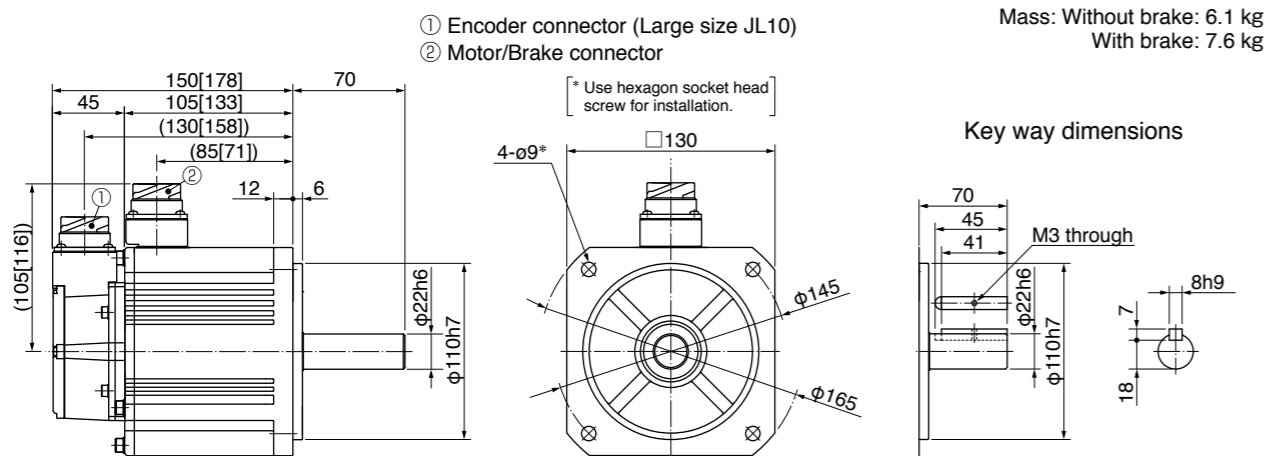
Detail of model designation, refer to P.18.

\*3 When using a rotary encoder as an incremental system (not using multi-turn data), do not connect a battery for absolute encoder.

Torque characteristics (at AC200 V of power voltage <Dotted line represents the torque at 10 % less supply voltage.>)



Dimensions



Encoder connector (Small size JN2), refer to P.112. • Figures in [ ] represent the dimensions with brake.

<Cautions> Reduce the moment of inertia ratio if high speed response operation is required. Dimensions are subject to change without notice. Contact us or a dealer for the latest information. Read the Instruction Manual carefully and understand all precautions and remarks before using the products.

Specifications

		AC200 V
Motor model <sup>1)</sup>	IP67	MHMF152L1□□
Applicable driver	Model No.	Multifunction type MDDLTL55SF
		RS485 communication type <sup>2)</sup> MDDLNL55SG
		Basic type <sup>2)</sup> MDDLNL55SE
	Frame symbol	D-frame
Power supply capacity	(kVA)	2.3
Rated output	(W)	1500
Rated torque	(N·m)	7.16
Continuous stall torque	(N·m)	7.52
Momentary Max. peak torque	(N·m)	21.5
Rated current	(A(rms))	8.0
Max. current	(A(o-p))	34
Regenerative brake frequency (times/min) <sup>Note)1</sup>	Without option	No limit <sup>Note)2</sup>
	DV0P4284	No limit <sup>Note)2</sup>
Rated rotational speed	(r/min)	2000
Max. rotational speed	(r/min)	3000
Moment of inertia of rotor (×10 <sup>-4</sup> kg·m <sup>2</sup> )	Without brake	33.4
	With brake	34.6
Recommended moment of inertia ratio of the load and the rotor <sup>Note)3</sup>		5 times or less
Rotary encoder specifications <sup>3)</sup>		23-bit Absolute
	Resolution per single turn	8388608

• Brake specifications (For details, refer to P.167)

(This brake will be released when it is energized.)  
(Do not use this for braking the motor in motion.)

Static friction torque (N·m)	13.7 or more
Engaging time (ms)	100 or less
Releasing time (ms) <sup>Note)4</sup>	50 or less
Exciting current (DC) (A)	0.79±10 %
Releasing voltage (DC) (V)	2 or more
Exciting voltage (DC) (V)	24±2.4

• Permissible load (For details, refer to P.166)

During assembly	Radial load P-direction (N)	980
	Thrust load A-direction (N)	588
	Thrust load B-direction (N)	686
During operation	Radial load P-direction (N)	490
	Thrust load A, B-direction (N)	196

• For details of Note)1 to Note)4, refer to P.165.

• Dimensions of Driver, refer to P.48.

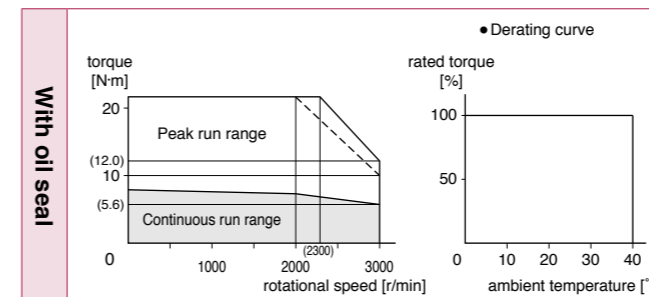
\*1 □□ in the motor part number represents the motor specifications.

\*2 Basic type and RS485 communication type are "Position control type".

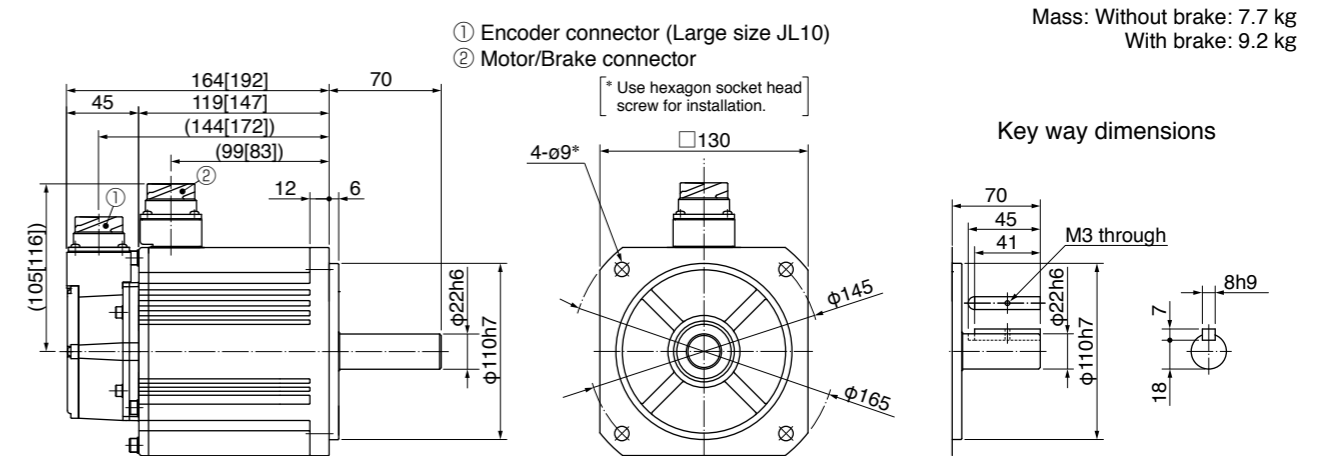
Detail of model designation, refer to P.18.

\*3 When using a rotary encoder as an incremental system (not using multi-turn data), do not connect a battery for absolute encoder.

Torque characteristics (at AC200 V of power voltage <Dotted line represents the torque at 10 % less supply voltage.>)



Dimensions



Encoder connector (Small size JN2), refer to P.112. • Figures in [ ] represent the dimensions with brake.

<Cautions> Reduce the moment of inertia ratio if high speed response operation is required. Dimensions are subject to change without notice. Contact us or a dealer for the latest information. Read the Instruction Manual carefully and understand all precautions and remarks before using the products.

Specifications

		AC200 V
Motor model <sup>1)</sup>	IP67	MHMF202L1□□
Applicable driver	Model No.	Multifunction type <b>MEDLT83SF</b>
		RS485 communication type <sup>2)</sup> <b>MEDLN83SG</b>
		Basic type <sup>2)</sup> <b>MEDLN83SE</b>
	Frame symbol	E-frame
Power supply capacity	(kVA)	3.8
Rated output	(W)	2000
Rated torque	(N·m)	9.55
Continuous stall torque	(N·m)	11.5
Momentary Max. peak torque	(N·m)	28.6
Rated current	(A(rms))	12.5
Max. current	(A(o-p))	53
Regenerative brake frequency (times/min) <sup>Note)1</sup>	Without option	No limit <sup>Note)2</sup>
	DV0P4285	No limit <sup>Note)2</sup>
Rated rotational speed	(r/min)	2000
Max. rotational speed	(r/min)	3000
Moment of inertia of rotor (×10 <sup>-4</sup> kg·m <sup>2</sup> )	Without brake	55.7
	With brake	61.0
Recommended moment of inertia ratio of the load and the rotor <sup>Note)3</sup>		5 times or less
Rotary encoder specifications <sup>3)</sup>		23-bit Absolute
	Resolution per single turn	8388608

• Brake specifications (For details, refer to P.167)

(This brake will be released when it is energized.)  
(Do not use this for braking the motor in motion.)

Static friction torque (N·m)	25.0 or more
Engaging time (ms)	80 or less
Releasing time (ms) <sup>Note)4</sup>	25 or less
Exciting current (DC) (A)	1.29±10 %
Releasing voltage (DC) (V)	2 or more
Exciting voltage (DC) (V)	24±2.4

• Permissible load (For details, refer to P.166)

During assembly	Radial load P-direction (N)	1666
	Thrust load A-direction (N)	784
	Thrust load B-direction (N)	980
During operation	Radial load P-direction (N)	784
	Thrust load A, B-direction (N)	343

• For details of Note)1 to Note)4, refer to P.165.

• Dimensions of Driver, refer to P.49.

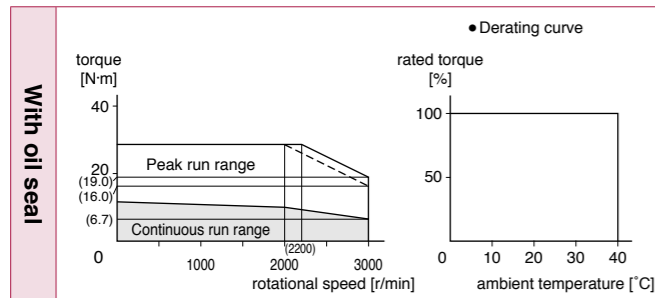
\*1 □□ in the motor part number represents the motor specifications.

\*2 Basic type and RS485 communication type are "Position control type".

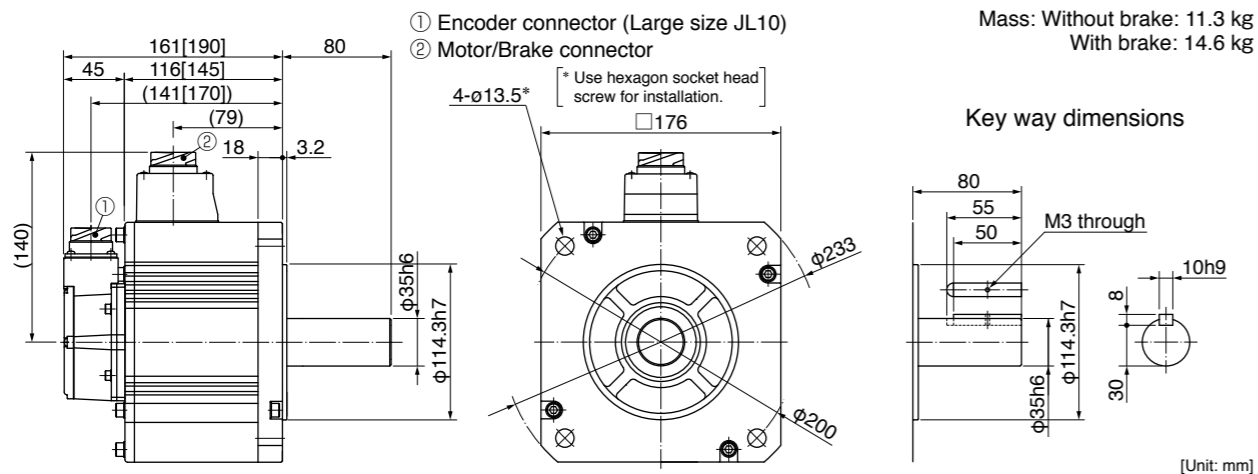
Detail of model designation, refer to P.18.

\*3 When using a rotary encoder as an incremental system (not using multi-turn data), do not connect a battery for absolute encoder.

Torque characteristics (at AC200 V of power voltage <Dotted line represents the torque at 10 % less supply voltage.>)



Dimensions



Encoder connector (Small size JN2), refer to P.112. • Figures in [ ] represent the dimensions with brake.

<Cautions> Reduce the moment of inertia ratio if high speed response operation is required. Dimensions are subject to change without notice. Contact us or a dealer for the latest information. Read the Instruction Manual carefully and understand all precautions and remarks before using the products.

Specifications

		AC200 V
Motor model <sup>1)</sup>	IP67	MHMF302L1□□
Applicable driver	Model No.	Multifunction type <b>MFDLTA3SF</b>
		RS485 communication type <sup>2)</sup> <b>MFDLNA3SG</b>
		Basic type <sup>2)</sup> <b>MFDLNA3SE</b>
	Frame symbol	F-frame
Power supply capacity	(kVA)	4.5
Rated output	(W)	3000
Rated torque	(N·m)	14.3
Continuous stall torque	(N·m)	17.2
Momentary Max. peak torque	(N·m)	43.0
Rated current	(A(rms))	17.0
Max. current	(A(o-p))	72
Regenerative brake frequency (times/min) <sup>Note)1</sup>	Without option	No limit <sup>Note)2</sup>
	DV0P4285×2	No limit <sup>Note)2</sup>
Rated rotational speed	(r/min)	2000
Max. rotational speed	(r/min)	3000
Moment of inertia of rotor (×10 <sup>-4</sup> kg·m <sup>2</sup> )	Without brake	85.3
	With brake	90.7
Recommended moment of inertia ratio of the load and the rotor <sup>Note)3</sup>		5 times or less
Rotary encoder specifications <sup>3)</sup>		23-bit Absolute
	Resolution per single turn	8388608

• Brake specifications (For details, refer to P.167)

(This brake will be released when it is energized.)  
(Do not use this for braking the motor in motion.)

Static friction torque (N·m)	25.0 or more
Engaging time (ms)	80 or less
Releasing time (ms) <sup>Note)4</sup>	25 or less
Exciting current (DC) (A)	1.29±10 %
Releasing voltage (DC) (V)	2 or more
Exciting voltage (DC) (V)	24±2.4

• Permissible load (For details, refer to P.166)

During assembly	Radial load P-direction (N)	1666
	Thrust load A-direction (N)	784
	Thrust load B-direction (N)	980
During operation	Radial load P-direction (N)	784
	Thrust load A, B-direction (N)	343

• For details of Note)1 to Note)4, refer to P.165.

• Dimensions of Driver, refer to P.49.

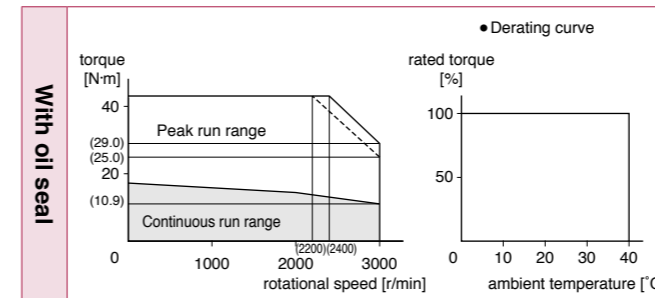
\*1 □□ in the motor part number represents the motor specifications.

\*2 Basic type and RS485 communication type are "Position control type".

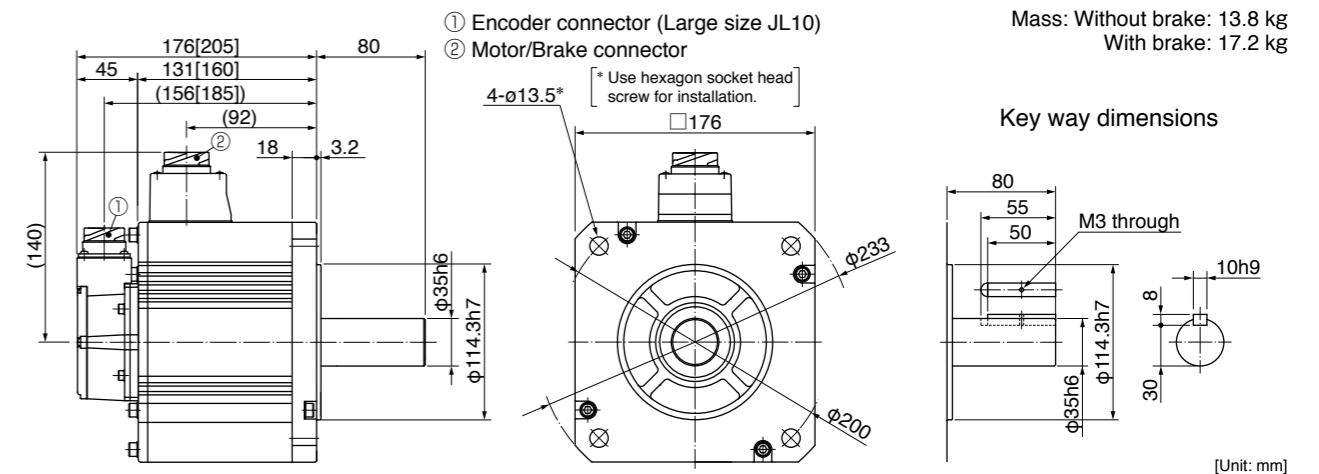
Detail of model designation, refer to P.18.

\*3 When using a rotary encoder as an incremental system (not using multi-turn data), do not connect a battery for absolute encoder.

Torque characteristics (at AC200 V of power voltage <Dotted line represents the torque at 10 % less supply voltage.>)



Dimensions



Encoder connector (Small size JN2), refer to P.112. • Figures in [ ] represent the dimensions with brake.

<Cautions> Reduce the moment of inertia ratio if high speed response operation is required. Dimensions are subject to change without notice. Contact us or a dealer for the latest information. Read the Instruction Manual carefully and understand all precautions and remarks before using the products.

Specifications

		AC200 V
Motor model <sup>*1</sup>	IP67	MHMF402L1□□
Applicable driver	Model No.	Multifunction type MFDLTB3SF
		RS485 communication type <sup>*2</sup> MFDLNB3SG
		Basic type <sup>*2</sup> MFDLNB3SE
	Frame symbol	F-frame
Power supply capacity	(kVA)	7.5
Rated output	(W)	4000
Rated torque	(N·m)	19.1
Continuous stall torque	(N·m)	22.0
Momentary Max. peak torque	(N·m)	57.3
Rated current	(A(rms))	20
Max. current	(A(o-p))	85
Regenerative brake frequency (times/min) <sup>Note)1</sup>	Without option	No limit <sup>Note)2</sup>
	DV0P4285×2	No limit <sup>Note)2</sup>
Rated rotational speed	(r/min)	2000
Max. rotational speed	(r/min)	3000
Moment of inertia of rotor (×10 <sup>-4</sup> kg·m <sup>2</sup> )	Without brake	104
	With brake	110
Recommended moment of inertia ratio of the load and the rotor <sup>Note)3</sup>		5 times or less
Rotary encoder specifications <sup>*3</sup>		23-bit Absolute
	Resolution per single turn	8388608

• **Brake specifications** (For details, refer to P.167)  
(This brake will be released when it is energized.)  
(Do not use this for braking the motor in motion.)

Static friction torque (N·m)	25.0 or more
Engaging time (ms)	80 or less
Releasing time (ms) <sup>Note)4</sup>	25 or less
Exciting current (DC) (A)	1.29±10 %
Releasing voltage (DC) (V)	2 or more
Exciting voltage (DC) (V)	24±2.4

• **Permissible load** (For details, refer to P.166)

During assembly	Radial load P-direction (N)	1666
	Thrust load A-direction (N)	784
	Thrust load B-direction (N)	980
During operation	Radial load P-direction (N)	784
	Thrust load A, B-direction (N)	343

• For details of Note)1 to Note)4, refer to P.165.

• Dimensions of Driver, refer to P.49.

\*1 □□ in the motor part number represents the motor specifications.

\*2 Basic type and RS485 communication type are "Position control type".

Detail of model designation, refer to P.18.

\*3 When using a rotary encoder as an incremental system (not using multi-turn data), do not connect a battery for absolute encoder.

Specifications

		AC200 V
Motor model <sup>*1</sup>	IP67	MHMF502L1□□
Applicable driver	Model No.	Multifunction type MFDLTB3SF
		RS485 communication type <sup>*2</sup> MFDLNB3SG
		Basic type <sup>*2</sup> MFDLNB3SE
	Frame symbol	F-frame
Power supply capacity	(kVA)	7.5
Rated output	(W)	5000
Rated torque	(N·m)	23.9
Continuous stall torque	(N·m)	26.3
Momentary Max. peak torque	(N·m)	71.6
Rated current	(A(rms))	23.3
Max. current	(A(o-p))	99
Regenerative brake frequency (times/min) <sup>Note)1</sup>	Without option	No limit <sup>Note)2</sup>
	DV0P4285×2	No limit <sup>Note)2</sup>
Rated rotational speed	(r/min)	2000
Max. rotational speed	(r/min)	3000
Moment of inertia of rotor (×10 <sup>-4</sup> kg·m <sup>2</sup> )	Without brake	146
	With brake	151
Recommended moment of inertia ratio of the load and the rotor <sup>Note)3</sup>		5 times or less
Rotary encoder specifications <sup>*3</sup>		23-bit Absolute
	Resolution per single turn	8388608

• **Brake specifications** (For details, refer to P.167)  
(This brake will be released when it is energized.)  
(Do not use this for braking the motor in motion.)

Static friction torque (N·m)	44.1 or more
Engaging time (ms)	150 or less
Releasing time (ms) <sup>Note)4</sup>	30 or less
Exciting current (DC) (A)	1.29±10 %
Releasing voltage (DC) (V)	2 or more
Exciting voltage (DC) (V)	24±2.4

• **Permissible load** (For details, refer to P.166)

During assembly	Radial load P-direction (N)	1666
	Thrust load A-direction (N)	784
	Thrust load B-direction (N)	980
During operation	Radial load P-direction (N)	784
	Thrust load A, B-direction (N)	343

• For details of Note)1 to Note)4, refer to P.165.

• Dimensions of Driver, refer to P.49.

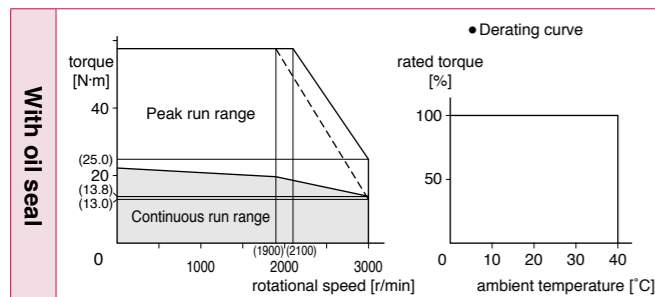
\*1 □□ in the motor part number represents the motor specifications.

\*2 Basic type and RS485 communication type are "Position control type".

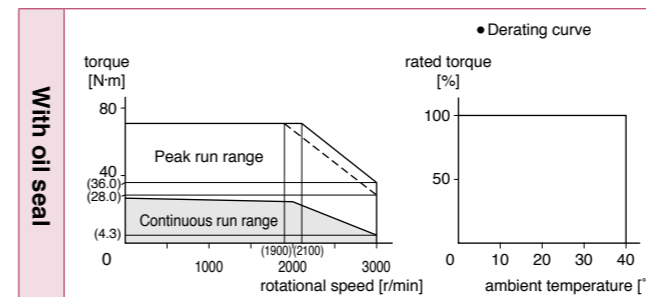
Detail of model designation, refer to P.18.

\*3 When using a rotary encoder as an incremental system (not using multi-turn data), do not connect a battery for absolute encoder.

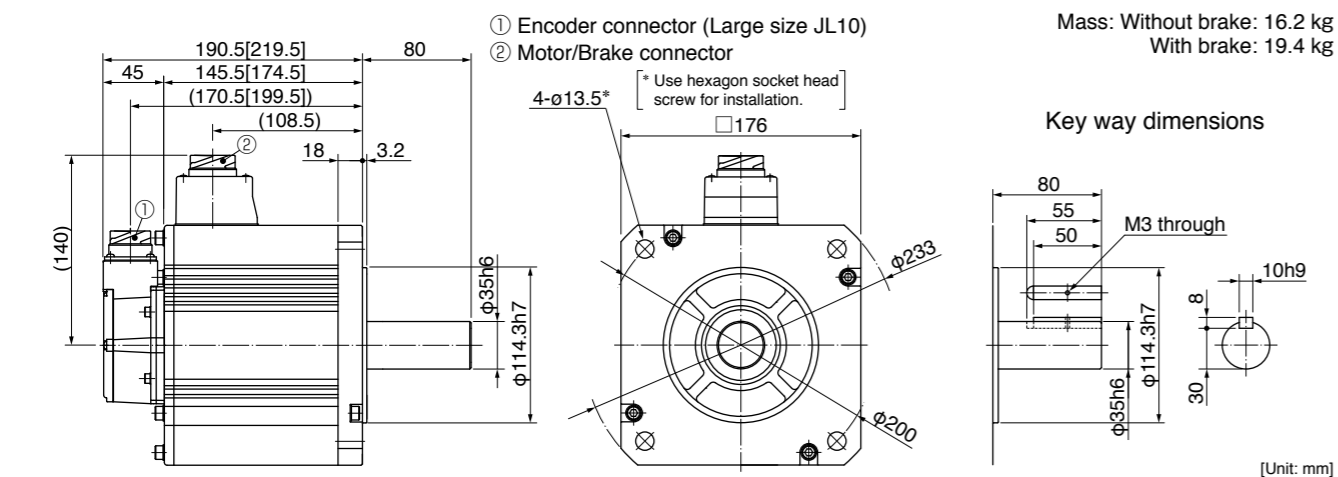
Torque characteristics (at AC200 V of power voltage <Dotted line represents the torque at 10 % less supply voltage.>)



Torque characteristics (at AC200 V of power voltage <Dotted line represents the torque at 10 % less supply voltage.>)



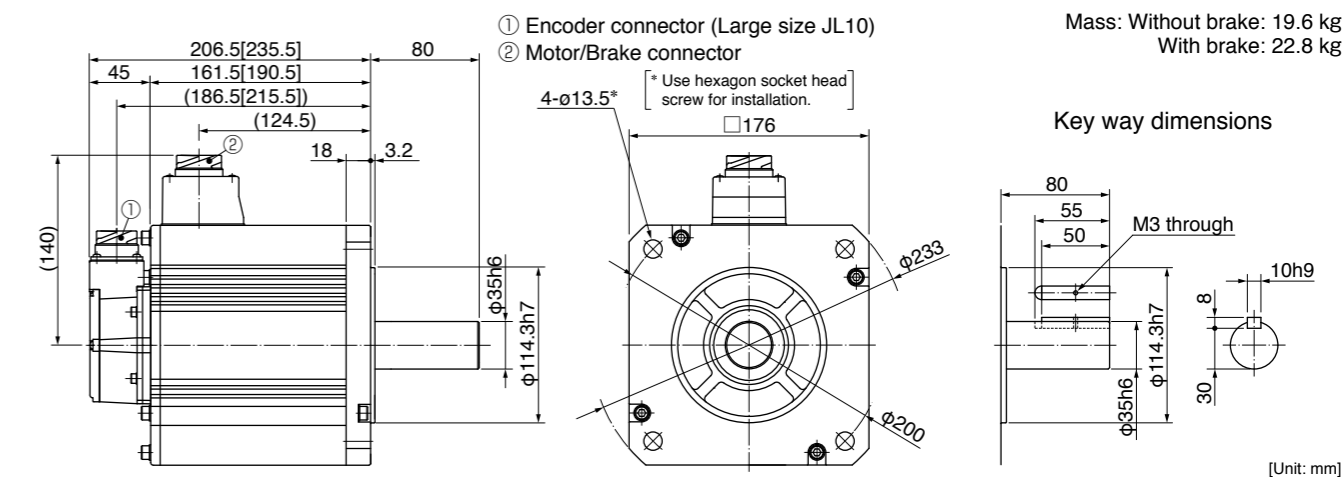
Dimensions



Encoder connector (Small size JN2), refer to P.112. • Figures in [ ] represent the dimensions with brake.

<Cautions> Reduce the moment of inertia ratio if high speed response operation is required. Dimensions are subject to change without notice. Contact us or a dealer for the latest information. Read the Instruction Manual carefully and understand all precautions and remarks before using the products.

Dimensions



Encoder connector (Small size JN2), refer to P.112. • Figures in [ ] represent the dimensions with brake.

<Cautions> Reduce the moment of inertia ratio if high speed response operation is required. Dimensions are subject to change without notice. Contact us or a dealer for the latest information. Read the Instruction Manual carefully and understand all precautions and remarks before using the products.

Specifications

		AC200 V
Motor model <sup>1)</sup>	IP67	MDMF102L1□□
Applicable driver	Model No.	Multifunction type MDDLTL45SF
		RS485 communication type <sup>2)</sup> MDDLNL45SG
		Basic type <sup>2)</sup> MDDLNL45SE
	Frame symbol	D-frame
Power supply capacity	(kVA)	1.8
Rated output	(W)	1000
Rated torque	(N·m)	4.77
Continuous stall torque	(N·m)	5.25
Momentary Max. peak torque	(N·m)	14.3
Rated current	(A(rms))	5.2
Max. current	(A(o-p))	22
Regenerative brake frequency (times/min) <sup>Note)1</sup>	Without option	No limit <sup>Note)2</sup>
	DV0P4284	No limit <sup>Note)2</sup>
Rated rotational speed	(r/min)	2000
Max. rotational speed	(r/min)	3000
Moment of inertia of rotor (×10 <sup>-4</sup> kg·m <sup>2</sup> )	Without brake	6.18
	With brake	7.40
Recommended moment of inertia ratio of the load and the rotor <sup>Note)3</sup>		10 times or less
Rotary encoder specifications <sup>3)</sup>		23-bit Absolute
	Resolution per single turn	8388608

• Brake specifications (For details, refer to P.167)

(This brake will be released when it is energized.)  
(Do not use this for braking the motor in motion.)

Static friction torque (N·m)	13.7 or more
Engaging time (ms)	100 or less
Releasing time (ms) <sup>Note)4</sup>	50 or less
Exciting current (DC) (A)	0.79±10 %
Releasing voltage (DC) (V)	2 or more
Exciting voltage (DC) (V)	24±2.4

• Permissible load (For details, refer to P.166)

During assembly	Radial load P-direction (N)	980
	Thrust load A-direction (N)	588
	Thrust load B-direction (N)	686
During operation	Radial load P-direction (N)	490
	Thrust load A, B-direction (N)	196

• For details of Note)1 to Note)4, refer to P.165.

• Dimensions of Driver, refer to P.48.

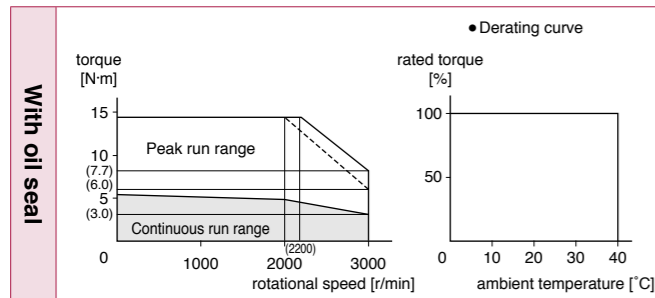
\*1 □□ in the motor part number represents the motor specifications.

\*2 Basic type and RS485 communication type are "Position control type".

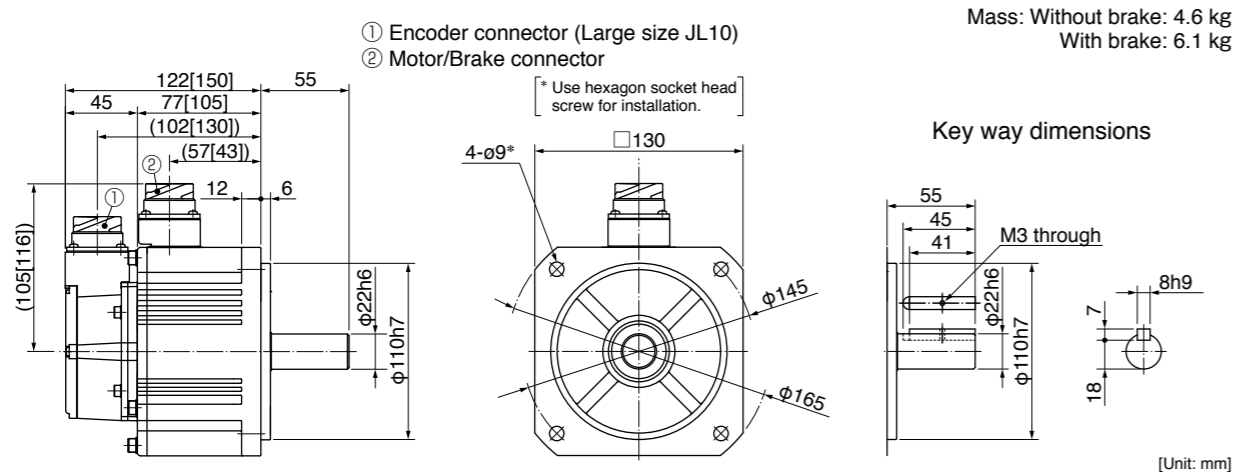
Detail of model designation, refer to P.18.

\*3 When using a rotary encoder as an incremental system (not using multi-turn data), do not connect a battery for absolute encoder.

Torque characteristics (at AC200 V of power voltage <Dotted line represents the torque at 10 % less supply voltage.>)



Dimensions



Encoder connector (Small size JN2), refer to P.113. • Figures in [ ] represent the dimensions with brake.

<Cautions> Reduce the moment of inertia ratio if high speed response operation is required. Dimensions are subject to change without notice. Contact us or a dealer for the latest information. Read the Instruction Manual carefully and understand all precautions and remarks before using the products.

Specifications

		AC200 V
Motor model <sup>1)</sup>	IP67	MDMF152L1□□
Applicable driver	Model No.	Multifunction type MDDLTL55SF
		RS485 communication type <sup>2)</sup> MDDLNL55SG
		Basic type <sup>2)</sup> MDDLNL55SE
	Frame symbol	D-frame
Power supply capacity	(kVA)	2.3
Rated output	(W)	1500
Rated torque	(N·m)	7.16
Continuous stall torque	(N·m)	7.52
Momentary Max. peak torque	(N·m)	21.5
Rated current	(A(rms))	8.0
Max. current	(A(o-p))	34
Regenerative brake frequency (times/min) <sup>Note)1</sup>	Without option	No limit <sup>Note)2</sup>
	DV0P4284	No limit <sup>Note)2</sup>
Rated rotational speed	(r/min)	2000
Max. rotational speed	(r/min)	3000
Moment of inertia of rotor (×10 <sup>-4</sup> kg·m <sup>2</sup> )	Without brake	9.16
	With brake	10.4
Recommended moment of inertia ratio of the load and the rotor <sup>Note)3</sup>		10 times or less
Rotary encoder specifications <sup>3)</sup>		23-bit Absolute
	Resolution per single turn	8388608

• Brake specifications (For details, refer to P.167)

(This brake will be released when it is energized.)  
(Do not use this for braking the motor in motion.)

Static friction torque (N·m)	13.7 or more
Engaging time (ms)	100 or less
Releasing time (ms) <sup>Note)4</sup>	50 or less
Exciting current (DC) (A)	0.79±10 %
Releasing voltage (DC) (V)	2 or more
Exciting voltage (DC) (V)	24±2.4

• Permissible load (For details, refer to P.166)

During assembly	Radial load P-direction (N)	980
	Thrust load A-direction (N)	588
	Thrust load B-direction (N)	686
During operation	Radial load P-direction (N)	490
	Thrust load A, B-direction (N)	196

• For details of Note)1 to Note)4, refer to P.165.

• Dimensions of Driver, refer to P.48.

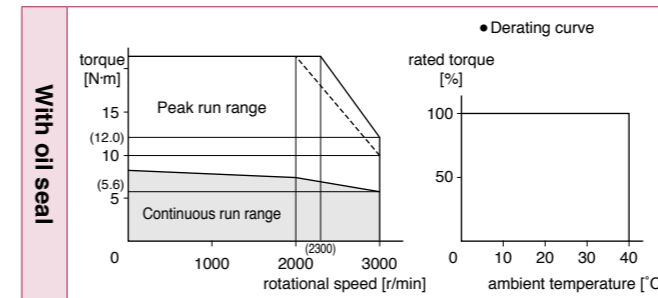
\*1 □□ in the motor part number represents the motor specifications.

\*2 Basic type and RS485 communication type are "Position control type".

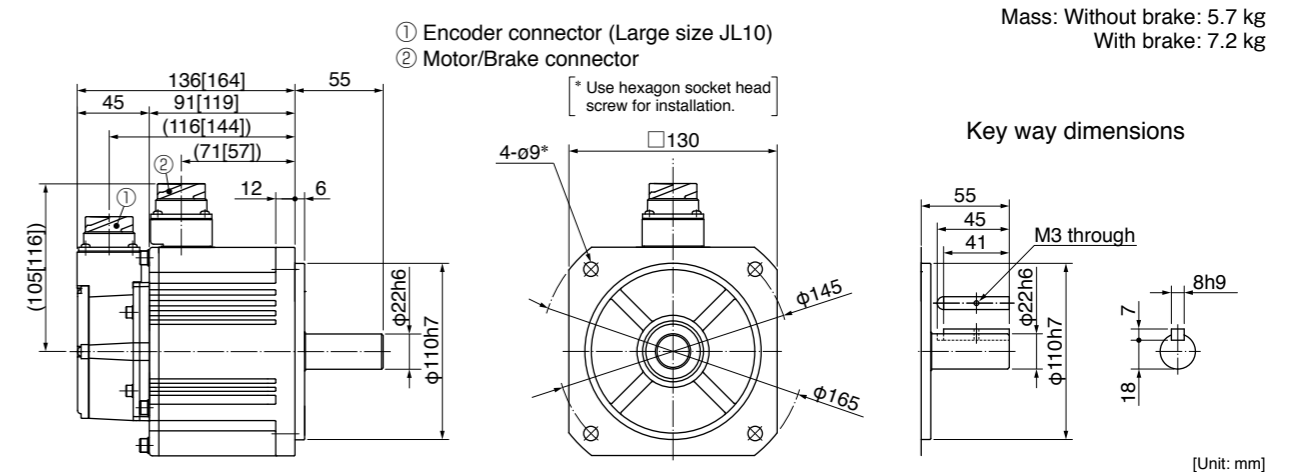
Detail of model designation, refer to P.18.

\*3 When using a rotary encoder as an incremental system (not using multi-turn data), do not connect a battery for absolute encoder.

Torque characteristics (at AC200 V of power voltage <Dotted line represents the torque at 10 % less supply voltage.>)



Dimensions



Encoder connector (Small size JN2), refer to P.113. • Figures in [ ] represent the dimensions with brake.

<Cautions> Reduce the moment of inertia ratio if high speed response operation is required. Dimensions are subject to change without notice. Contact us or a dealer for the latest information. Read the Instruction Manual carefully and understand all precautions and remarks before using the products.

Specifications

		AC200 V
Motor model <sup>1)</sup>	IP67	MDMF202L1□□
Applicable driver	Model No.	Multifunction type MEDLT83SF
		RS485 communication type <sup>2)</sup> MEDLN83SG
		Basic type <sup>2)</sup> MEDLN83SE
	Frame symbol	E-frame
Power supply capacity	(kVA)	3.8
Rated output	(W)	2000
Rated torque	(N·m)	9.55
Continuous stall torque	(N·m)	10.0
Momentary Max. peak torque	(N·m)	28.6
Rated current	(A(rms))	9.9
Max. current	(A(o-p))	42
Regenerative brake frequency (times/min) <sup>Note)1</sup>	Without option	No limit <sup>Note)2</sup>
	DV0P4285	No limit <sup>Note)2</sup>
Rated rotational speed	(r/min)	2000
Max. rotational speed	(r/min)	3000
Moment of inertia of rotor (×10 <sup>-4</sup> kg·m <sup>2</sup> )	Without brake	12.1
	With brake	13.3
Recommended moment of inertia ratio of the load and the rotor <sup>Note)3</sup>		10 times or less
Rotary encoder specifications <sup>3)</sup>		23-bit Absolute
	Resolution per single turn	8388608

• **Brake specifications** (For details, refer to P.167)  
(This brake will be released when it is energized.)  
(Do not use this for braking the motor in motion.)

Static friction torque (N·m)	13.7 or more
Engaging time (ms)	100 or less
Releasing time (ms) <sup>Note)4</sup>	50 or less
Exciting current (DC) (A)	0.79±10 %
Releasing voltage (DC) (V)	2 or more
Exciting voltage (DC) (V)	24±2.4

• **Permissible load** (For details, refer to P.166)

During assembly	Radial load P-direction (N)	980
	Thrust load A-direction (N)	588
	Thrust load B-direction (N)	686
During operation	Radial load P-direction (N)	490
	Thrust load A, B-direction (N)	196

• For details of Note)1 to Note)4, refer to P.165.  
• Dimensions of Driver, refer to P.49.

\*1 □□ in the motor part number represents the motor specifications.

\*2 Basic type and RS485 communication type are "Position control type".

Detail of model designation, refer to P.18.

\*3 When using a rotary encoder as an incremental system (not using multi-turn data), do not connect a battery for absolute encoder.

Specifications

		AC200 V
Motor model <sup>1)</sup>	IP67	MDMF302L1□□
Applicable driver	Model No.	Multifunction type MFDLTA3SF
		RS485 communication type <sup>2)</sup> MFDLNA3SG
		Basic type <sup>2)</sup> MFDLNA3SE
	Frame symbol	F-frame
Power supply capacity	(kVA)	4.5
Rated output	(W)	3000
Rated torque	(N·m)	14.3
Continuous stall torque	(N·m)	15.0
Momentary Max. peak torque	(N·m)	43.0
Rated current	(A(rms))	16.4
Max. current	(A(o-p))	70
Regenerative brake frequency (times/min) <sup>Note)1</sup>	Without option	No limit <sup>Note)2</sup>
	DV0P4285×2	No limit <sup>Note)2</sup>
Rated rotational speed	(r/min)	2000
Max. rotational speed	(r/min)	3000
Moment of inertia of rotor (×10 <sup>-4</sup> kg·m <sup>2</sup> )	Without brake	18.6
	With brake	19.6
Recommended moment of inertia ratio of the load and the rotor <sup>Note)3</sup>		10 times or less
Rotary encoder specifications <sup>3)</sup>		23-bit Absolute
	Resolution per single turn	8388608

• **Brake specifications** (For details, refer to P.167)  
(This brake will be released when it is energized.)  
(Do not use this for braking the motor in motion.)

Static friction torque (N·m)	22.0 or more
Engaging time (ms)	110 or less
Releasing time (ms) <sup>Note)4</sup>	50 or less
Exciting current (DC) (A)	0.90±10 %
Releasing voltage (DC) (V)	2 or more
Exciting voltage (DC) (V)	24±2.4

• **Permissible load** (For details, refer to P.166)

During assembly	Radial load P-direction (N)	980
	Thrust load A-direction (N)	588
	Thrust load B-direction (N)	686
During operation	Radial load P-direction (N)	784
	Thrust load A, B-direction (N)	343

• For details of Note)1 to Note)4, refer to P.165.  
• Dimensions of Driver, refer to P.49.

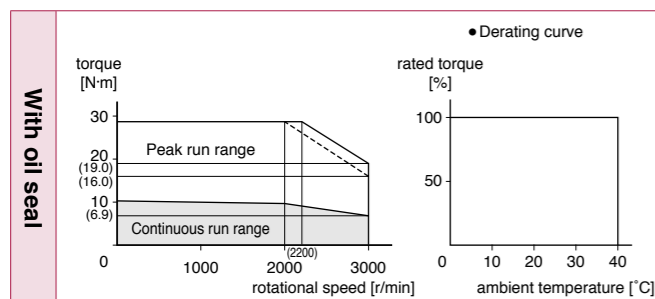
\*1 □□ in the motor part number represents the motor specifications.

\*2 Basic type and RS485 communication type are "Position control type".

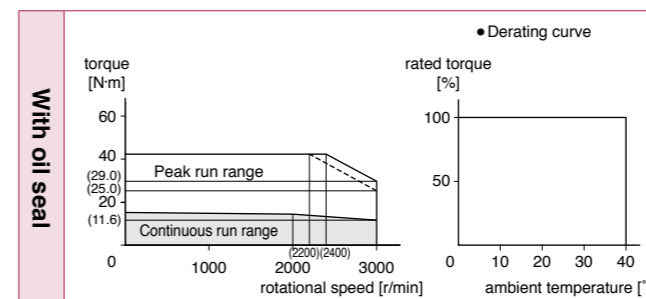
Detail of model designation, refer to P.18.

\*3 When using a rotary encoder as an incremental system (not using multi-turn data), do not connect a battery for absolute encoder.

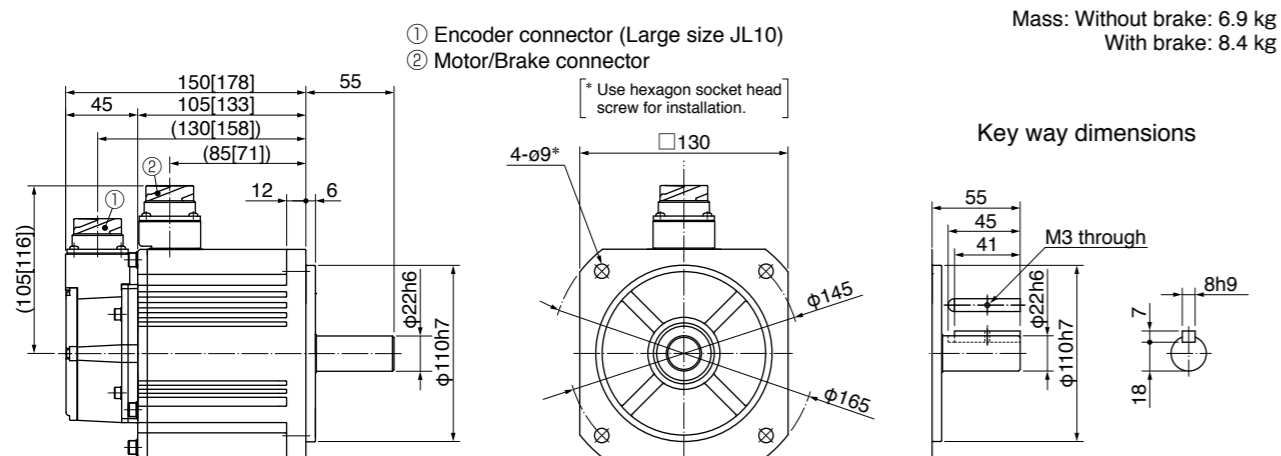
Torque characteristics (at AC200 V of power voltage <Dotted line represents the torque at 10 % less supply voltage.>)



Torque characteristics (at AC200 V of power voltage <Dotted line represents the torque at 10 % less supply voltage.>)



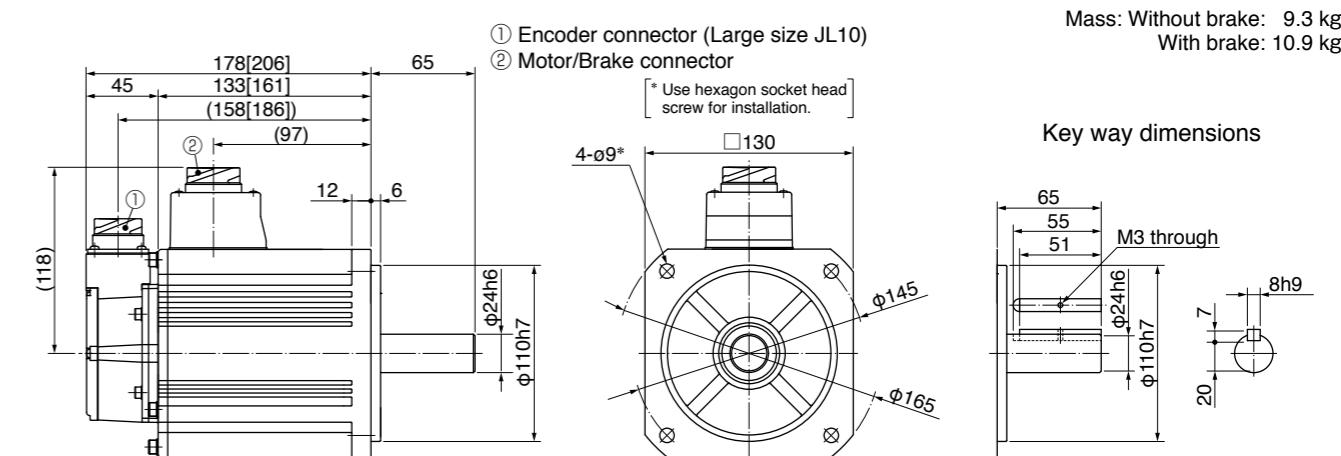
Dimensions



Encoder connector (Small size JN2), refer to P.113. • Figures in [ ] represent the dimensions with brake.

<Cautions> Reduce the moment of inertia ratio if high speed response operation is required. Dimensions are subject to change without notice. Contact us or a dealer for the latest information. Read the Instruction Manual carefully and understand all precautions and remarks before using the products.

Dimensions



Encoder connector (Small size JN2), refer to P.113. • Figures in [ ] represent the dimensions with brake.

<Cautions> Reduce the moment of inertia ratio if high speed response operation is required. Dimensions are subject to change without notice. Contact us or a dealer for the latest information. Read the Instruction Manual carefully and understand all precautions and remarks before using the products.

Specifications

		AC200 V
Motor model <sup>1)</sup>	IP67	MDMF402L1□□
Applicable driver	Model No.	Multifunction type MFDLTB3SF
		RS485 communication type <sup>2)</sup> MFDLNB3SG
		Basic type <sup>2)</sup> MFDLNB3SE
	Frame symbol	F-frame
Power supply capacity	(kVA)	7.5
Rated output	(W)	4000
Rated torque	(N·m)	19.1
Continuous stall torque	(N·m)	22.0
Momentary Max. peak torque	(N·m)	57.3
Rated current	(A(rms))	20.0
Max. current	(A(o-p))	85
Regenerative brake frequency (times/min) <sup>Note)1</sup>	Without option	No limit <sup>Note)2</sup>
	DV0P4285×2	No limit <sup>Note)2</sup>
Rated rotational speed	(r/min)	2000
Max. rotational speed	(r/min)	3000
Moment of inertia of rotor (×10 <sup>-4</sup> kg·m <sup>2</sup> )	Without brake	46.9
	With brake	52.3
Recommended moment of inertia ratio of the load and the rotor <sup>Note)3</sup>		10 times or less
Rotary encoder specifications <sup>3)</sup>		23-bit Absolute
	Resolution per single turn	8388608

• **Brake specifications** (For details, refer to P.167)  
(This brake will be released when it is energized.)  
(Do not use this for braking the motor in motion.)

Static friction torque (N·m)	25.0 or more
Engaging time (ms)	80 or less
Releasing time (ms) <sup>Note)4</sup>	25 or less
Exciting current (DC) (A)	1.29±10 %
Releasing voltage (DC) (V)	2 or more
Exciting voltage (DC) (V)	24±2.4

• **Permissible load** (For details, refer to P.166)

During assembly	Radial load P-direction (N)	1666
	Thrust load A-direction (N)	784
	Thrust load B-direction (N)	980
During operation	Radial load P-direction (N)	784
	Thrust load A, B-direction (N)	343

• For details of Note)1 to Note)4, refer to P.165.

• Dimensions of Driver, refer to P.49.

\*1 □□ in the motor part number represents the motor specifications.

\*2 Basic type and RS485 communication type are "Position control type".

Detail of model designation, refer to P.18.

\*3 When using a rotary encoder as an incremental system (not using multi-turn data), do not connect a battery for absolute encoder.

Specifications

		AC200 V
Motor model <sup>1)</sup>	IP67	MDMF502L1□□
Applicable driver	Model No.	Multifunction type MFDLTB3SF
		RS485 communication type <sup>2)</sup> MFDLNB3SG
		Basic type <sup>2)</sup> MFDLNB3SE
	Frame symbol	F-frame
Power supply capacity	(kVA)	7.5
Rated output	(W)	5000
Rated torque	(N·m)	23.9
Continuous stall torque	(N·m)	26.3
Momentary Max. peak torque	(N·m)	71.6
Rated current	(A(rms))	23.3
Max. current	(A(o-p))	99
Regenerative brake frequency (times/min) <sup>Note)1</sup>	Without option	No limit <sup>Note)2</sup>
	DV0P4285×2	No limit <sup>Note)2</sup>
Rated rotational speed	(r/min)	2000
Max. rotational speed	(r/min)	3000
Moment of inertia of rotor (×10 <sup>-4</sup> kg·m <sup>2</sup> )	Without brake	58.2
	With brake	63.0
Recommended moment of inertia ratio of the load and the rotor <sup>Note)3</sup>		10 times or less
Rotary encoder specifications <sup>3)</sup>		23-bit Absolute
	Resolution per single turn	8388608

• **Brake specifications** (For details, refer to P.167)  
(This brake will be released when it is energized.)  
(Do not use this for braking the motor in motion.)

Static friction torque (N·m)	44.1 or more
Engaging time (ms)	150 or less
Releasing time (ms) <sup>Note)4</sup>	30 or less
Exciting current (DC) (A)	1.29±10 %
Releasing voltage (DC) (V)	2 or more
Exciting voltage (DC) (V)	24±2.4

• **Permissible load** (For details, refer to P.166)

During assembly	Radial load P-direction (N)	1666
	Thrust load A-direction (N)	784
	Thrust load B-direction (N)	980
During operation	Radial load P-direction (N)	784
	Thrust load A, B-direction (N)	343

• For details of Note)1 to Note)4, refer to P.165.

• Dimensions of Driver, refer to P.49.

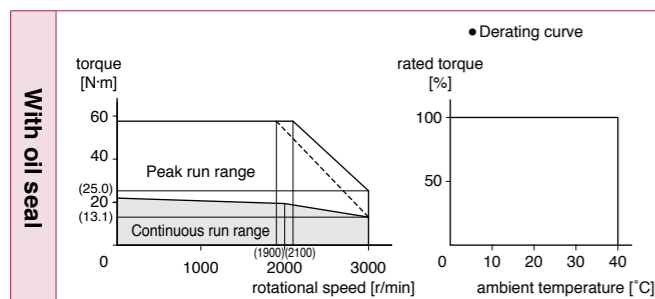
\*1 □□ in the motor part number represents the motor specifications.

\*2 Basic type and RS485 communication type are "Position control type".

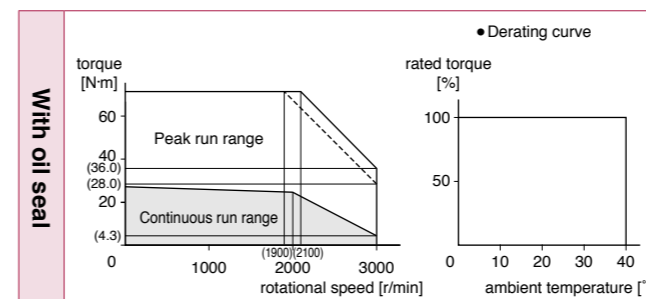
Detail of model designation, refer to P.18.

\*3 When using a rotary encoder as an incremental system (not using multi-turn data), do not connect a battery for absolute encoder.

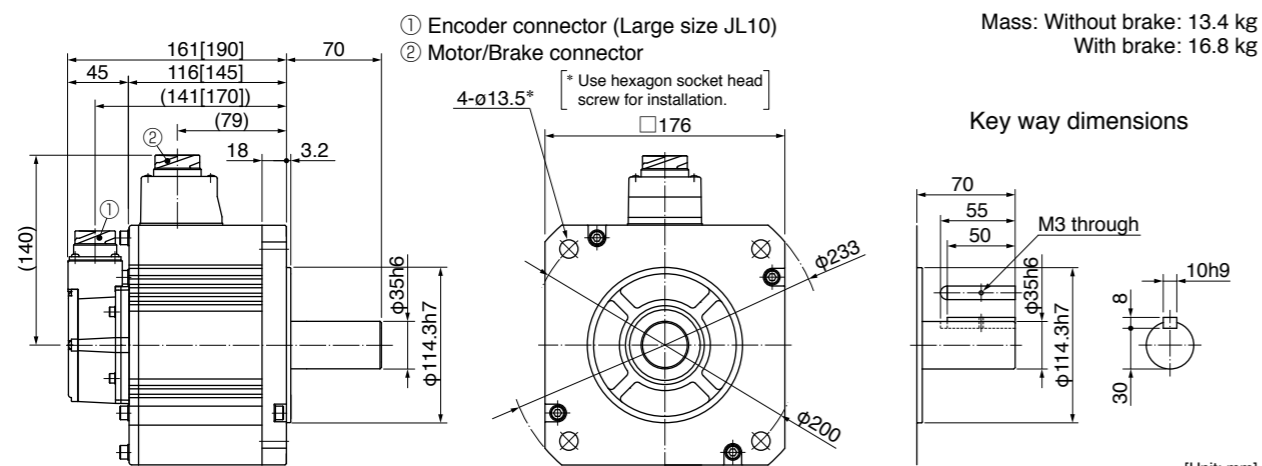
Torque characteristics (at AC200 V of power voltage <Dotted line represents the torque at 10 % less supply voltage.>)



Torque characteristics (at AC200 V of power voltage <Dotted line represents the torque at 10 % less supply voltage.>)



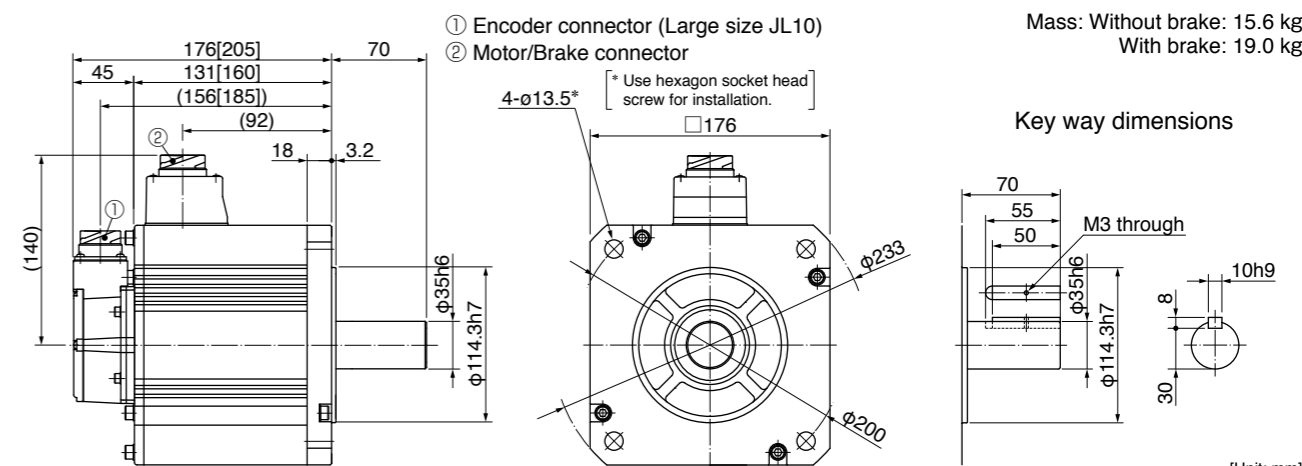
Dimensions



Encoder connector (Small size JN2), refer to P.113. ● Figures in [ ] represent the dimensions with brake.

<Cautions> Reduce the moment of inertia ratio if high speed response operation is required. Dimensions are subject to change without notice. Contact us or a dealer for the latest information. Read the Instruction Manual carefully and understand all precautions and remarks before using the products.

Dimensions



Encoder connector (Small size JN2), refer to P.113. ● Figures in [ ] represent the dimensions with brake.

<Cautions> Reduce the moment of inertia ratio if high speed response operation is required. Dimensions are subject to change without notice. Contact us or a dealer for the latest information. Read the Instruction Manual carefully and understand all precautions and remarks before using the products.



Specifications

		AC200 V
Motor model <sup>1)</sup>	IP67	<b>MGMF092L1</b> □□
Applicable driver	Model No.	Multifunction type <b>MDDLTL45SF</b>
		RS485 communication type <sup>2)</sup> <b>MDDLNL45SG</b>
		Basic type <sup>2)</sup> <b>MDDLNL45SE</b>
	Frame symbol	D-frame
Power supply capacity	(kVA)	1.8
Rated output	(W)	850
Rated torque	(N·m)	5.41
Continuous stall torque	(N·m)	5.41
Momentary Max. peak torque	(N·m)	14.3
Rated current	(A(rms))	5.9
Max. current	(A(o-p))	22
Regenerative brake frequency (times/min) <sup>Note)1</sup>	Without option	No limit <sup>Note)2</sup>
	DV0P4284	No limit <sup>Note)2</sup>
Rated rotational speed	(r/min)	1500
Max. rotational speed	(r/min)	3000
Moment of inertia of rotor (×10 <sup>-4</sup> kg·m <sup>2</sup> )	Without brake	6.18
	With brake	7.40
Recommended moment of inertia ratio of the load and the rotor	<sup>Note)3</sup>	10 times or less
Rotary encoder specifications <sup>3)</sup>		23-bit Absolute
	Resolution per single turn	8388608

• Brake specifications (For details, refer to P.167)

(This brake will be released when it is energized.)  
(Do not use this for braking the motor in motion.)

Static friction torque (N·m)	13.7 or more
Engaging time (ms)	100 or less
Releasing time (ms) <sup>Note)4</sup>	50 or less
Exciting current (DC) (A)	0.79±10 %
Releasing voltage (DC) (V)	2 or more
Exciting voltage (DC) (V)	24±2.4

• Permissible load (For details, refer to P.166)

During assembly	Radial load P-direction (N)	980
	Thrust load A-direction (N)	588
	Thrust load B-direction (N)	686
During operation	Radial load P-direction (N)	686
	Thrust load A, B-direction (N)	196

• For details of Note)1 to Note)4, refer to P.165.

• Dimensions of Driver, refer to P.48.

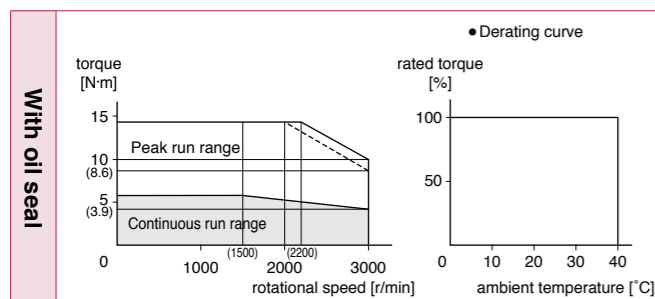
\*1 □□ in the motor part number represents the motor specifications.

\*2 Basic type and RS485 communication type are "Position control type".

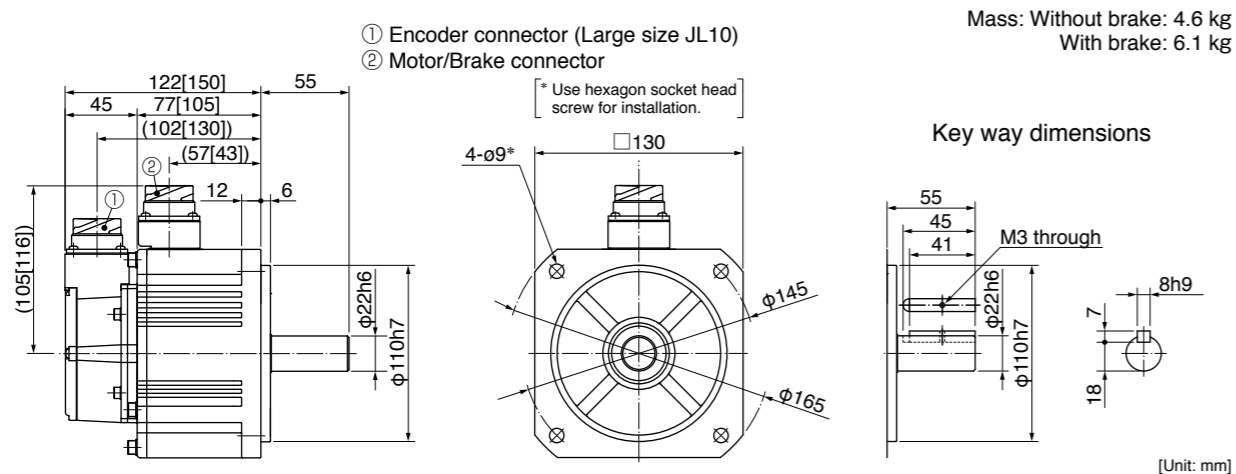
Detail of model designation, refer to P.18.

\*3 When using a rotary encoder as an incremental system (not using multi-turn data), do not connect a battery for absolute encoder.

Torque characteristics (at AC200 V of power voltage <Dotted line represents the torque at 10 % less supply voltage.>)



Dimensions



Encoder connector (Small size JN2), refer to P.114. ● Figures in [ ] represent the dimensions with brake.

<Cautions> Reduce the moment of inertia ratio if high speed response operation is required. Dimensions are subject to change without notice. Contact us or a dealer for the latest information. Read the Instruction Manual carefully and understand all precautions and remarks before using the products.

Specifications

		AC200 V
Motor model <sup>1)</sup>	IP67	<b>MGMF132L1</b> □□
Applicable driver	Model No.	Multifunction type <b>MDDLTL55SF</b>
		RS485 communication type <sup>2)</sup> <b>MDDLNL55SG</b>
		Basic type <sup>2)</sup> <b>MDDLNL55SE</b>
	Frame symbol	D-frame
Power supply capacity	(kVA)	2.3
Rated output	(W)	1300
Rated torque	(N·m)	8.28
Continuous stall torque	(N·m)	8.28
Momentary Max. peak torque	(N·m)	23.3
Rated current	(A(rms))	9.3
Max. current	(A(o-p))	37
Regenerative brake frequency (times/min) <sup>Note)1</sup>	Without option	No limit <sup>Note)2</sup>
	DV0P4284	No limit <sup>Note)2</sup>
Rated rotational speed	(r/min)	1500
Max. rotational speed	(r/min)	3000
Moment of inertia of rotor (×10 <sup>-4</sup> kg·m <sup>2</sup> )	Without brake	9.16
	With brake	10.4
Recommended moment of inertia ratio of the load and the rotor	<sup>Note)3</sup>	10 times or less
Rotary encoder specifications <sup>3)</sup>		23-bit Absolute
	Resolution per single turn	8388608

• Brake specifications (For details, refer to P.167)

(This brake will be released when it is energized.)  
(Do not use this for braking the motor in motion.)

Static friction torque (N·m)	13.7 or more
Engaging time (ms)	100 or less
Releasing time (ms) <sup>Note)4</sup>	50 or less
Exciting current (DC) (A)	0.79±10 %
Releasing voltage (DC) (V)	2 or more
Exciting voltage (DC) (V)	24±2.4

• Permissible load (For details, refer to P.166)

During assembly	Radial load P-direction (N)	980
	Thrust load A-direction (N)	588
	Thrust load B-direction (N)	686
During operation	Radial load P-direction (N)	686
	Thrust load A, B-direction (N)	196

• For details of Note)1 to Note)4, refer to P.165.

• Dimensions of Driver, refer to P.48.

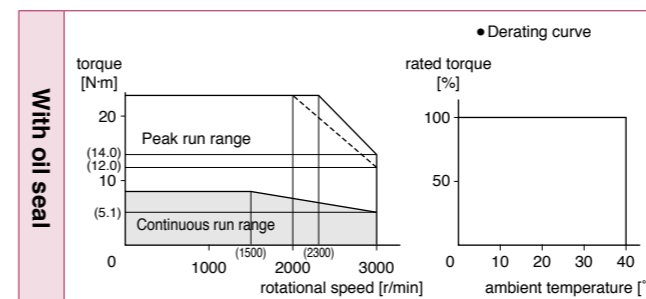
\*1 □□ in the motor part number represents the motor specifications.

\*2 Basic type and RS485 communication type are "Position control type".

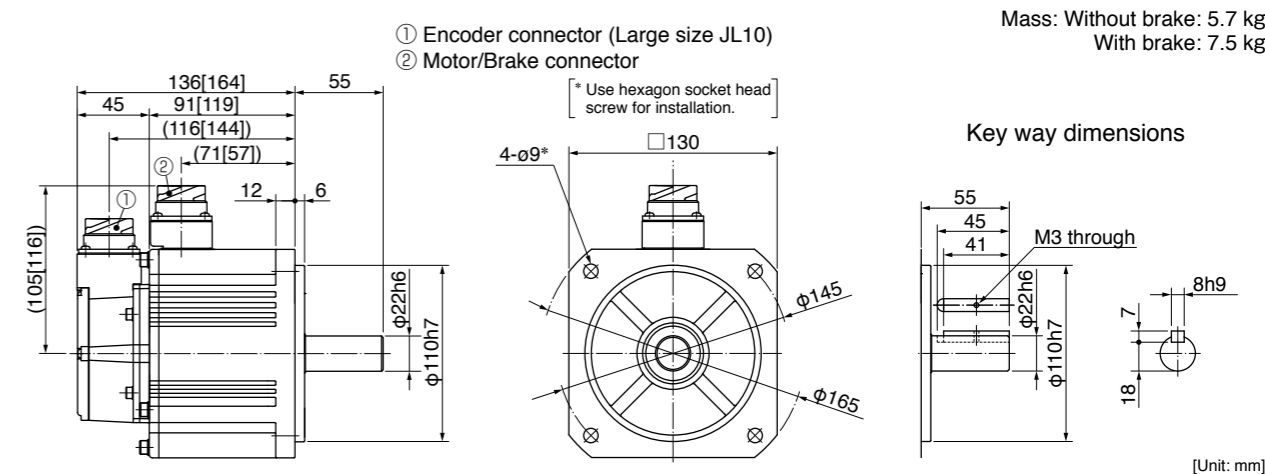
Detail of model designation, refer to P.18.

\*3 When using a rotary encoder as an incremental system (not using multi-turn data), do not connect a battery for absolute encoder.

Torque characteristics (at AC200 V of power voltage <Dotted line represents the torque at 10 % less supply voltage.>)



Dimensions



Encoder connector (Small size JN2), refer to P.114. ● Figures in [ ] represent the dimensions with brake.

<Cautions> Reduce the moment of inertia ratio if high speed response operation is required. Dimensions are subject to change without notice. Contact us or a dealer for the latest information. Read the Instruction Manual carefully and understand all precautions and remarks before using the products.

Specifications

		AC200 V
Motor model <sup>1)</sup>	IP67	MGMF182L1□□
Applicable driver	Model No.	Multifunction type MEDLT83SF
		RS485 communication type <sup>2)</sup> MEDLN83SG
		Basic type <sup>2)</sup> MEDLN83SE
	Frame symbol	E-frame
Power supply capacity	(kVA)	3.8
Rated output	(W)	1800
Rated torque	(N·m)	11.5
Continuous stall torque	(N·m)	11.5
Momentary Max. peak torque	(N·m)	28.7
Rated current	(A(rms))	11.8
Max. current	(A(o-p))	42
Regenerative brake frequency (times/min) <sup>Note)1</sup>	Without option	No limit <sup>Note)2</sup>
	DV0P4285×2	No limit <sup>Note)2</sup>
Rated rotational speed	(r/min)	1500
Max. rotational speed	(r/min)	3000
Moment of inertia of rotor (×10 <sup>-4</sup> kg·m <sup>2</sup> )	Without brake	12.1
	With brake	13.3
Recommended moment of inertia ratio of the load and the rotor <sup>Note)3</sup>		10 times or less
Rotary encoder specifications <sup>3)</sup>		23-bit Absolute
	Resolution per single turn	8388608

• **Brake specifications** (For details, refer to P.167)  
(This brake will be released when it is energized.)  
(Do not use this for braking the motor in motion.)

Static friction torque (N·m)	13.7 or more
Engaging time (ms)	100 or less
Releasing time (ms) <sup>Note)4</sup>	50 or less
Exciting current (DC) (A)	0.79±10 %
Releasing voltage (DC) (V)	2 or more
Exciting voltage (DC) (V)	24±2.4

• **Permissible load** (For details, refer to P.166)

During assembly	Radial load P-direction (N)	980
	Thrust load A-direction (N)	588
	Thrust load B-direction (N)	686
During operation	Radial load P-direction (N)	686
	Thrust load A, B-direction (N)	196

• For details of Note)1 to Note)4, refer to P.165.  
• Dimensions of Driver, refer to P.49.

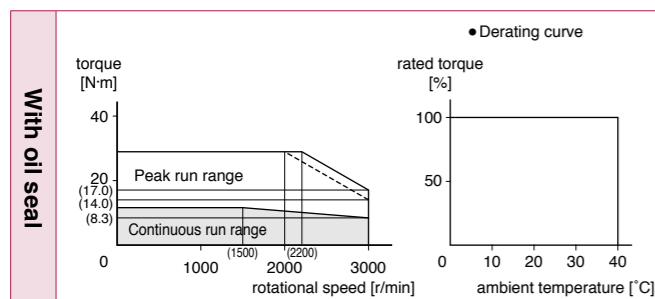
\*1 □□ in the motor part number represents the motor specifications.

\*2 Basic type and RS485 communication type are "Position control type".

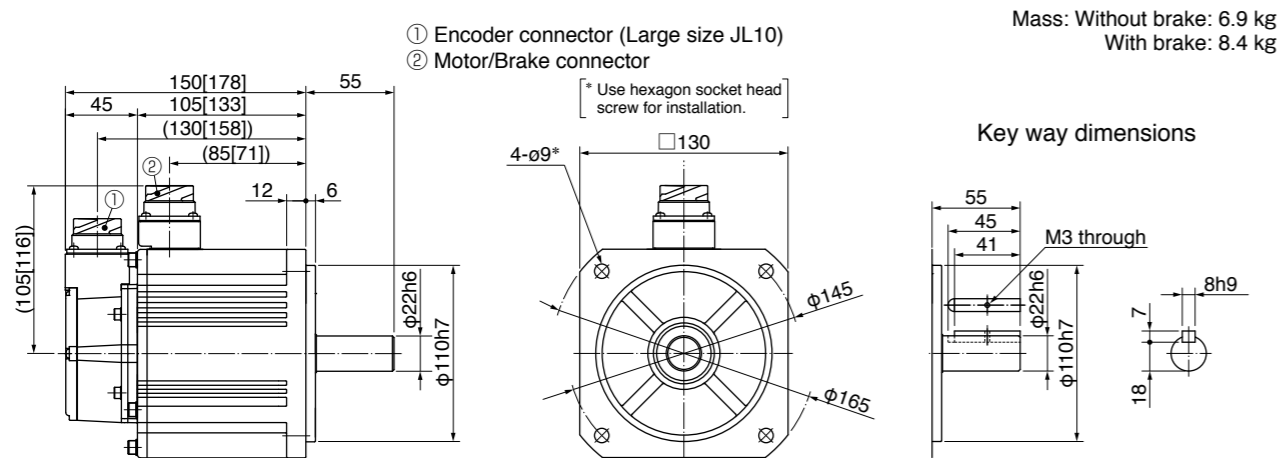
Detail of model designation, refer to P.18.

\*3 When using a rotary encoder as an incremental system (not using multi-turn data), do not connect a battery for absolute encoder.

Torque characteristics (at AC200 V of power voltage <Dotted line represents the torque at 10 % less supply voltage.>)



Dimensions



Encoder connector (Small size JN2), refer to P.114. • Figures in [ ] represent the dimensions with brake.

<Cautions> Reduce the moment of inertia ratio if high speed response operation is required. Dimensions are subject to change without notice. Contact us or a dealer for the latest information. Read the Instruction Manual carefully and understand all precautions and remarks before using the products.

Specifications

		AC200 V
Motor model <sup>1)</sup>	IP67	MGMF292L1□□
Applicable driver	Model No.	Multifunction type MFDLTB3SF
		RS485 communication type <sup>2)</sup> MFDLNB3SG
		Basic type <sup>2)</sup> MFDLNB3SE
	Frame symbol	F-frame
Power supply capacity	(kVA)	7.5
Rated output	(W)	2900
Rated torque	(N·m)	18.5
Continuous stall torque	(N·m)	18.5
Momentary Max. peak torque	(N·m)	45.2
Rated current	(A(rms))	19.3
Max. current	(A(o-p))	67
Regenerative brake frequency (times/min) <sup>Note)1</sup>	Without option	No limit <sup>Note)2</sup>
	DV0P4285×2	No limit <sup>Note)2</sup>
Rated rotational speed	(r/min)	1500
Max. rotational speed	(r/min)	3000
Moment of inertia of rotor (×10 <sup>-4</sup> kg·m <sup>2</sup> )	Without brake	46.9
	With brake	52.3
Recommended moment of inertia ratio of the load and the rotor <sup>Note)3</sup>		10 times or less
Rotary encoder specifications <sup>3)</sup>		23-bit Absolute
	Resolution per single turn	8388608

• **Brake specifications** (For details, refer to P.167)  
(This brake will be released when it is energized.)  
(Do not use this for braking the motor in motion.)

Static friction torque (N·m)	25.0 or more
Engaging time (ms)	80 or less
Releasing time (ms) <sup>Note)4</sup>	25 or less
Exciting current (DC) (A)	1.29±10 %
Releasing voltage (DC) (V)	2 or more
Exciting voltage (DC) (V)	24±2.4

• **Permissible load** (For details, refer to P.166)

During assembly	Radial load P-direction (N)	1666
	Thrust load A-direction (N)	784
	Thrust load B-direction (N)	980
During operation	Radial load P-direction (N)	1176
	Thrust load A, B-direction (N)	490

• For details of Note)1 to Note)4, refer to P.165.  
• Dimensions of Driver, refer to P.49.

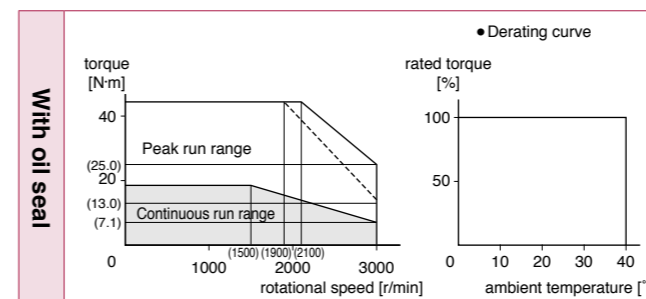
\*1 □□ in the motor part number represents the motor specifications.

\*2 Basic type and RS485 communication type are "Position control type".

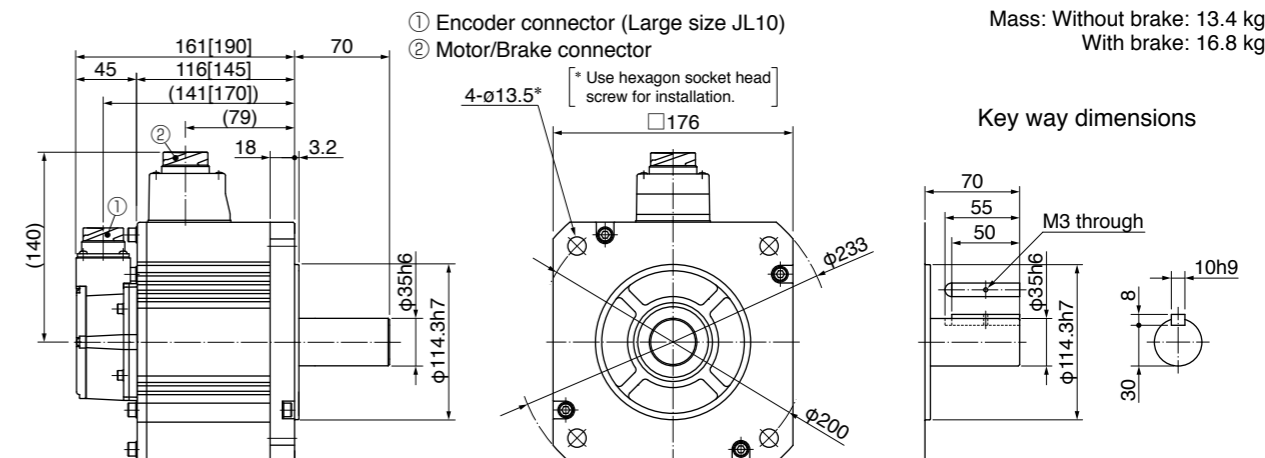
Detail of model designation, refer to P.18.

\*3 When using a rotary encoder as an incremental system (not using multi-turn data), do not connect a battery for absolute encoder.

Torque characteristics (at AC200 V of power voltage <Dotted line represents the torque at 10 % less supply voltage.>)



Dimensions



Encoder connector (Small size JN2), refer to P.114. • Figures in [ ] represent the dimensions with brake.

<Cautions> Reduce the moment of inertia ratio if high speed response operation is required. Dimensions are subject to change without notice. Contact us or a dealer for the latest information. Read the Instruction Manual carefully and understand all precautions and remarks before using the products.

Specifications

		AC200 V
Motor model <sup>1)</sup>	IP67	MGMF442L1□□
Applicable driver	Model No.	Multifunction type MFDLTB3SF
		RS485 communication type <sup>2)</sup> MFDLNB3SG
		Basic type <sup>2)</sup> MFDLNB3SE
	Frame symbol	F-frame
Power supply capacity	(kVA)	7.5
Rated output	(W)	4400
Rated torque	(N·m)	28.0
Continuous stall torque	(N·m)	28.0
Momentary Max. peak torque	(N·m)	70.0
Rated current	(A(rms))	27.2
Max. current	(A(o-p))	96
Regenerative brake frequency (times/min) <sup>Note)1</sup>	Without option	No limit <sup>Note)2</sup>
	DV0P4285×2	No limit <sup>Note)2</sup>
Rated rotational speed	(r/min)	1500
Max. rotational speed	(r/min)	3000
Moment of inertia of rotor (×10 <sup>-4</sup> kg·m <sup>2</sup> )	Without brake	58.2
	With brake	63.0
Recommended moment of inertia ratio of the load and the rotor <sup>Note)3</sup>		10 times or less
Rotary encoder specifications <sup>3)</sup>		23-bit Absolute
	Resolution per single turn	8388608

• Brake specifications (For details, refer to P.167)

(This brake will be released when it is energized.)  
(Do not use this for braking the motor in motion.)

Static friction torque (N·m)	44.1 or more
Engaging time (ms)	150 or less
Releasing time (ms) <sup>Note)4</sup>	30 or less
Exciting current (DC) (A)	1.29±10 %
Releasing voltage (DC) (V)	2 or more
Exciting voltage (DC) (V)	24±2.4

• Permissible load (For details, refer to P.166)

During assembly	Radial load P-direction (N)	1666
	Thrust load A-direction (N)	784
	Thrust load B-direction (N)	980
During operation	Radial load P-direction (N)	1470
	Thrust load A, B-direction (N)	490

• For details of Note)1 to Note)4, refer to P.165.

• Dimensions of Driver, refer to P.49.

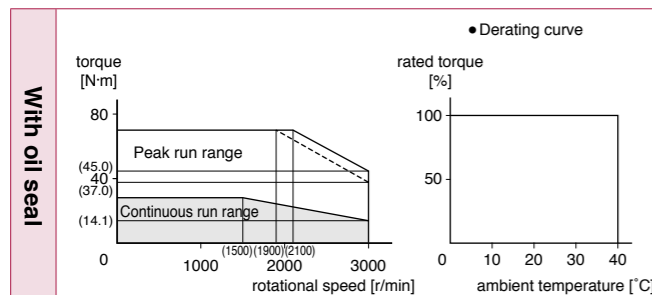
\*1 □□ in the motor part number represents the motor specifications.

\*2 Basic type and RS485 communication type are "Position control type".

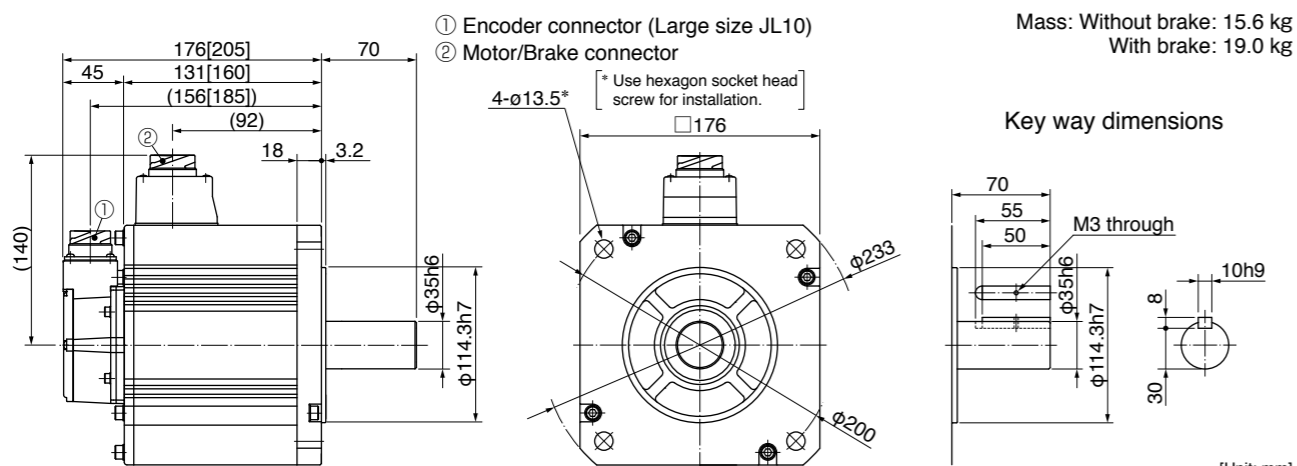
Detail of model designation, refer to P.18.

\*3 When using a rotary encoder as an incremental system (not using multi-turn data), do not connect a battery for absolute encoder.

Torque characteristics (at AC200 V of power voltage <Dotted line represents the torque at 10 % less supply voltage.>)



Dimensions



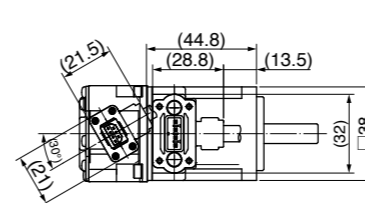
Encoder connector (Small size JN2), refer to P.114. • Figures in [ ] represent the dimensions with brake.

<Cautions> Reduce the moment of inertia ratio if high speed response operation is required. Dimensions are subject to change without notice. Contact us or a dealer for the latest information. Read the Instruction Manual carefully and understand all precautions and remarks before using the products.

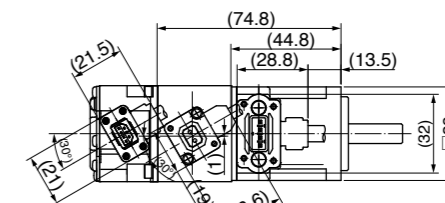
MSMF 50 W to 200 W  
Connector type (IP67)

• MSMF5AZL1□□

<without brake>



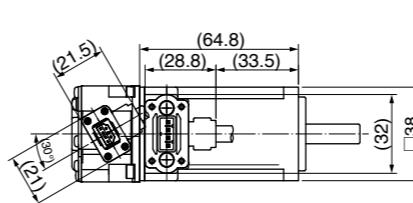
<with brake>



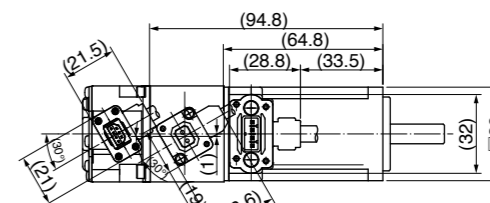
- ① Encoder connector
- ② Brake connector
- ③ Motor connector

• MSMF01□L1□□

<without brake>



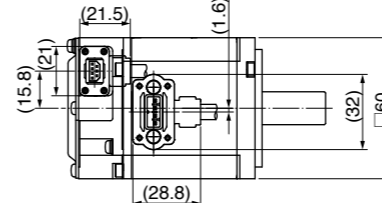
<with brake>



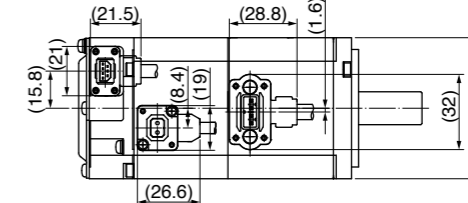
- ① Encoder connector
- ② Brake connector
- ③ Motor connector

• MSMF02□L1□□

<without brake>



<with brake>

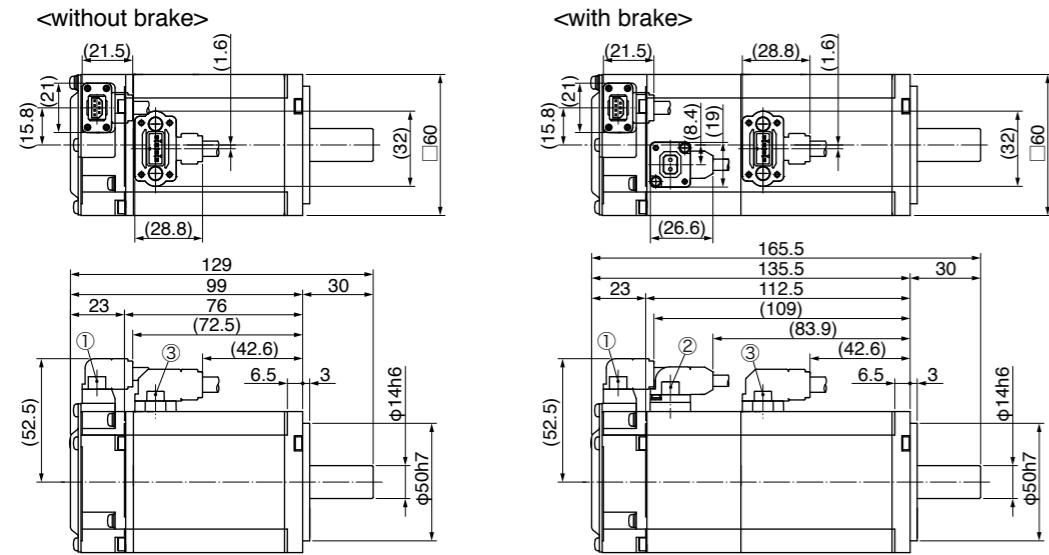


- ① Encoder connector
- ② Brake connector
- ③ Motor connector

\* For motor specifications and mounting dimensions (on flange face), refer to P.51 to P.56.

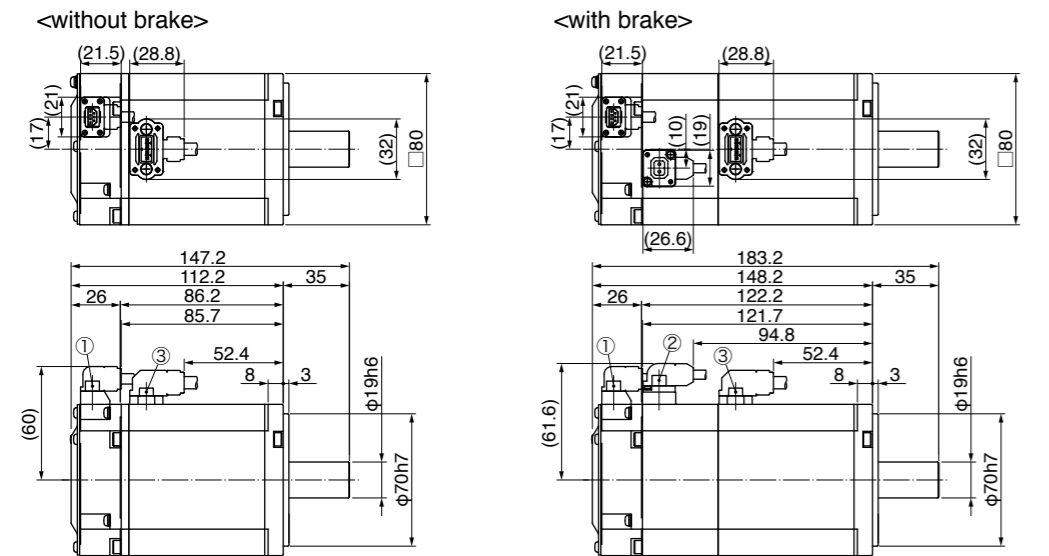
● MSMF042L1 □ □

[Unit: mm]



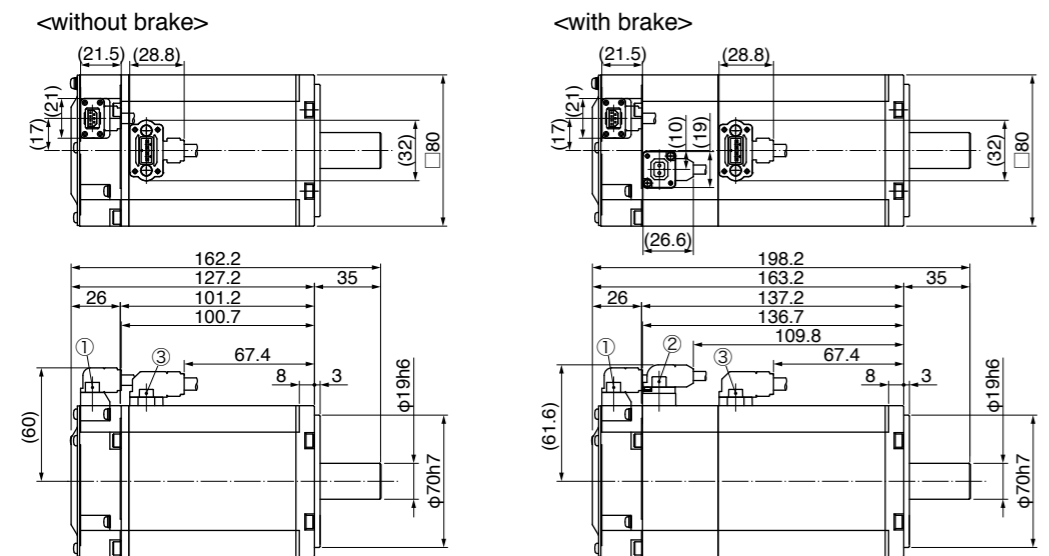
● MSMF082L1 □ □

[Unit: mm]



● MSMF092L1 □ □

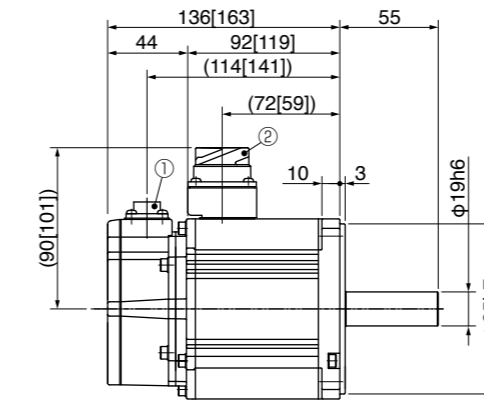
[Unit: mm]



\* For motor specifications and mounting dimensions (on flange face), refer to P.57 to P.60.

● MSMF102L1 □ □

[Unit: mm]

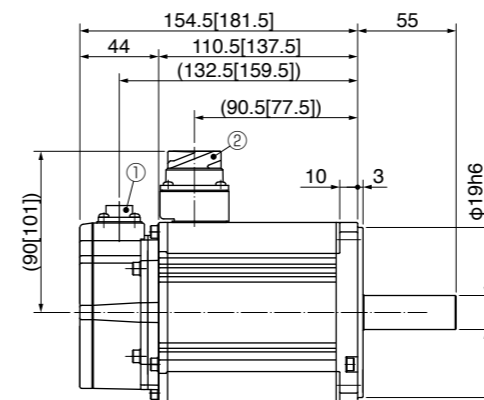


- ① Encoder connector
- ② Motor/Brake connector

● Figures in [ ] represent the dimensions with brake.

● MSMF152L1 □ □

[Unit: mm]

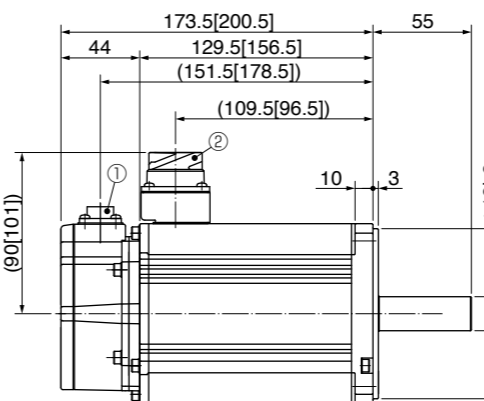


- ① Encoder connector
- ② Motor/Brake connector

● Figures in [ ] represent the dimensions with brake.

● MSMF202L1 □ □

[Unit: mm]

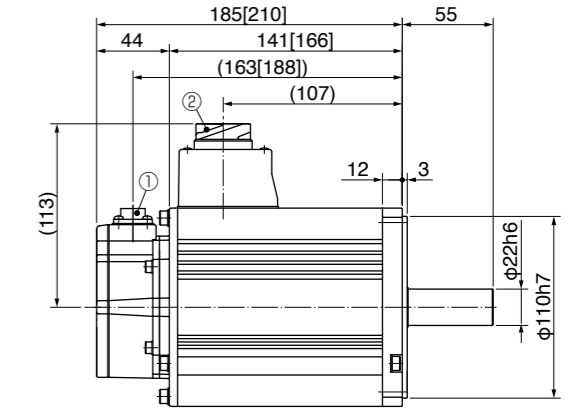


- ① Encoder connector
- ② Motor/Brake connector

● Figures in [ ] represent the dimensions with brake.

● MSMF302L1 □ □

[Unit: mm]

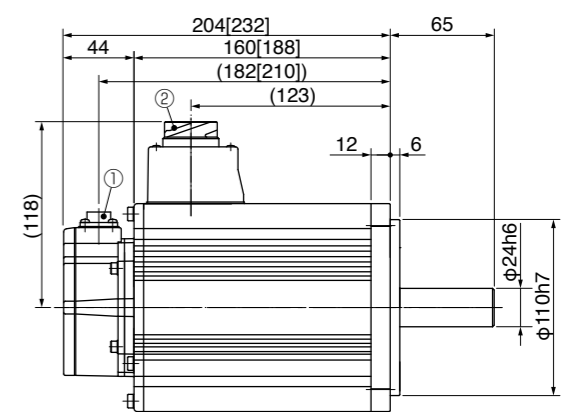


- ① Encoder connector
- ② Motor/Brake connector

● Figures in [ ] represent the dimensions with brake.

● MSMF402L1 □ □

[Unit: mm]

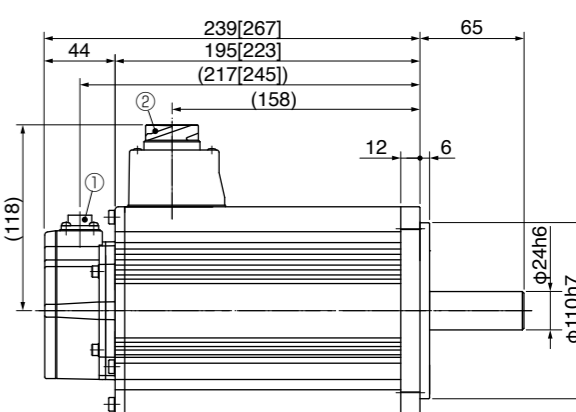


- ① Encoder connector
- ② Motor/Brake connector

● Figures in [ ] represent the dimensions with brake.

● MSMF502L1 □ □

[Unit: mm]



- ① Encoder connector
- ② Motor/Brake connector

● Figures in [ ] represent the dimensions with brake.

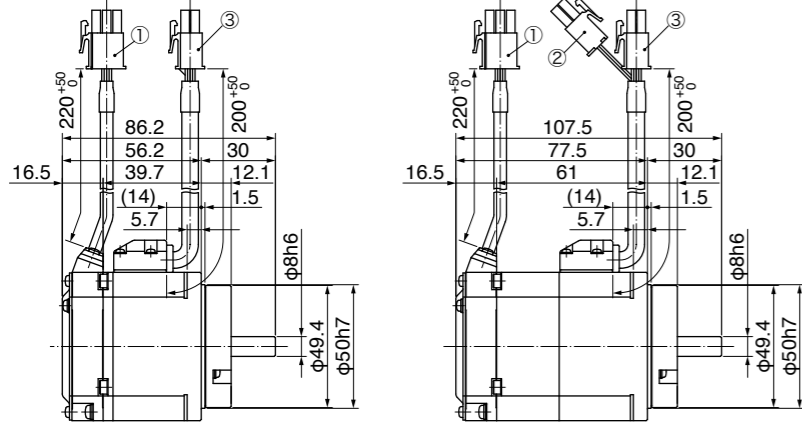
\* For motor specifications and mounting dimensions (on flange face), refer to P.61 to P.66.

● MQMF01 □ L1 □ □

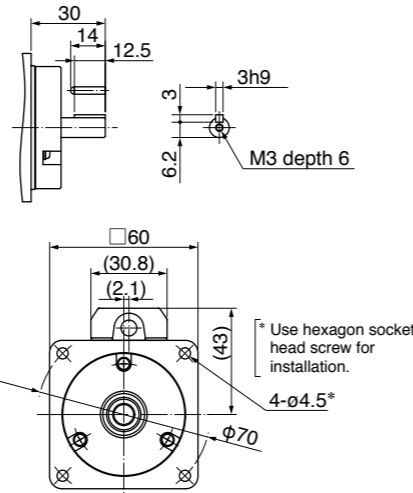
<without brake>

<with brake>

- ① Encoder connector
- ② Brake connector
- ③ Motor connector



Key way dimensions [Unit: mm]  
<Key way, center tap shaft>

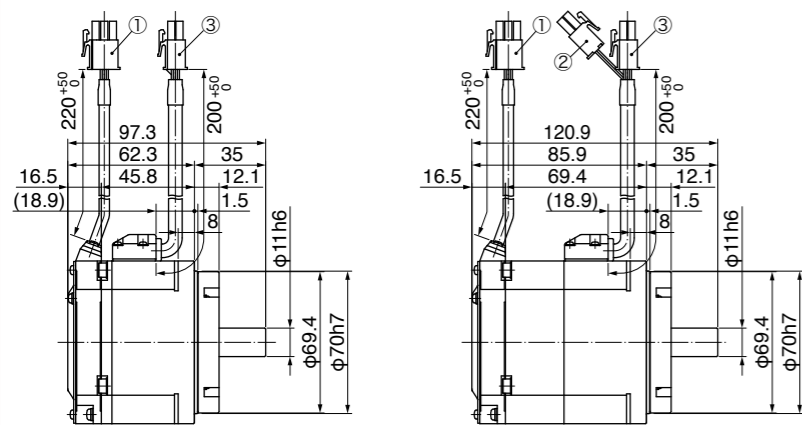


● MQMF02 □ L1 □ □

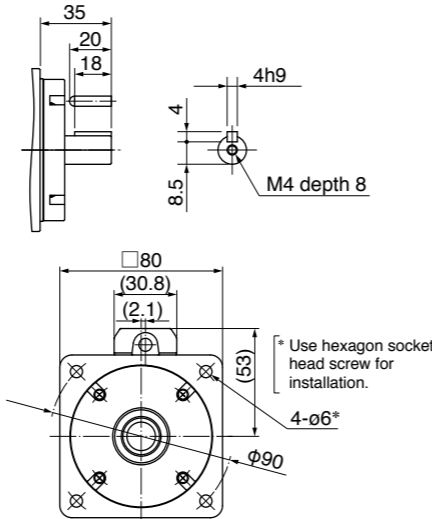
<without brake>

<with brake>

- ① Encoder connector
- ② Brake connector
- ③ Motor connector



Key way dimensions [Unit: mm]  
<Key way, center tap shaft>

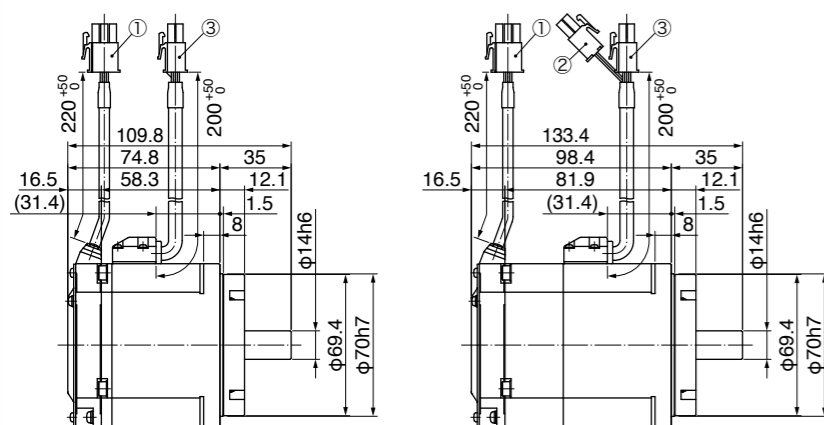


● MQMF04 □ L1 □ □

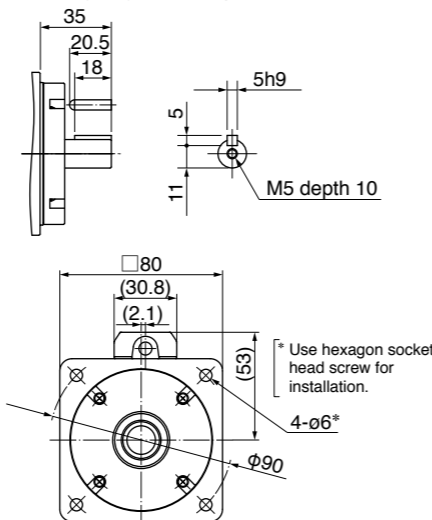
<without brake>

<with brake>

- ① Encoder connector
- ② Brake connector
- ③ Motor connector



Key way dimensions [Unit: mm]  
<Key way, center tap shaft>



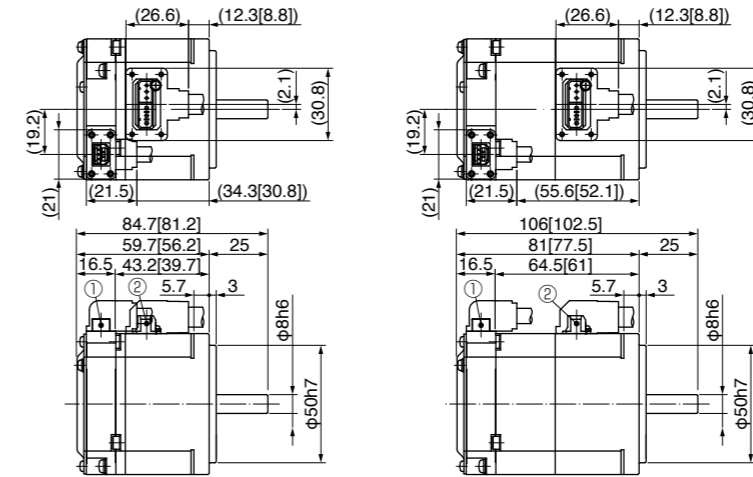
\* For motors specifications, refer to P.67 to P.72.

● MQMF01 □ L1 □ □

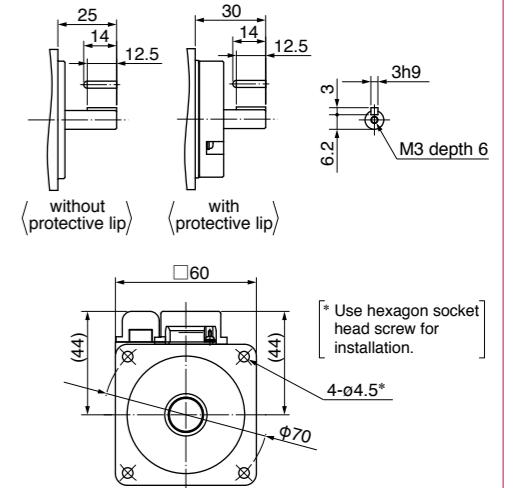
■ without protective lip/ with oil seal  
<without brake>

<with brake>

- ① Encoder connector
- ② Motor/Brake connector



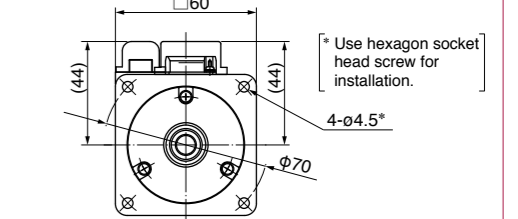
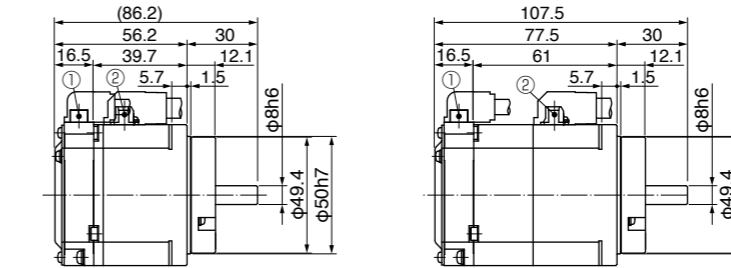
Key way dimensions [Unit: mm]  
<Key way, center tap shaft>



\* Figures in [ ] represent the dimensions without oil seal.

■ with protective lip/ with oil seal  
<without brake>

<with brake>

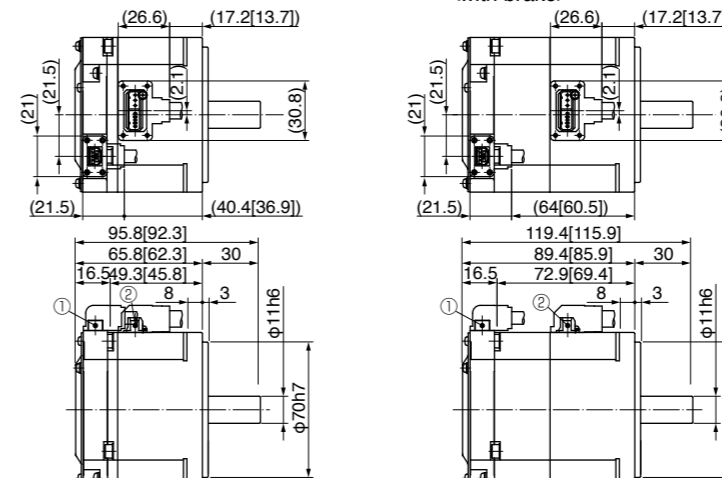


● MQMF02 □ L1 □ □

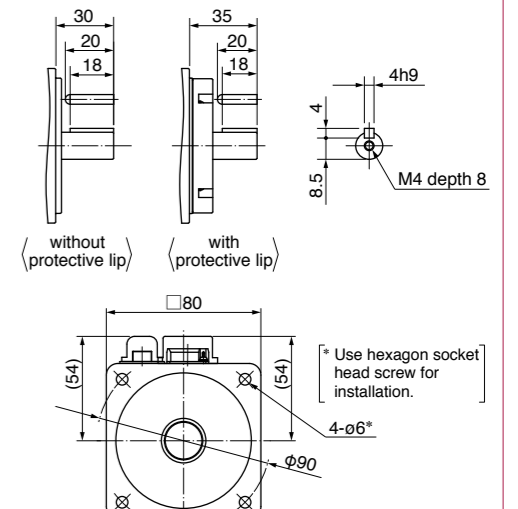
■ without protective lip/ with oil seal  
<without brake>

<with brake>

- ① Encoder connector
- ② Motor/Brake connector



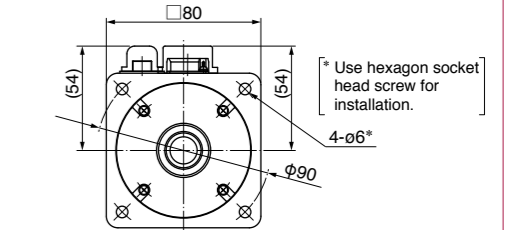
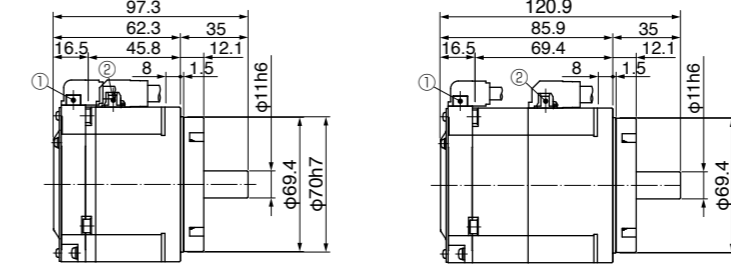
Key way dimensions [Unit: mm]  
<Key way, center tap shaft>



\* Figures in [ ] represent the dimensions without oil seal.

■ with protective lip/ with oil seal  
<without brake>

<with brake>

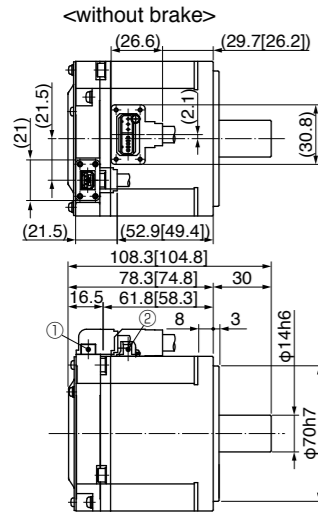


\* For motors specifications, refer to P.67 to P.70.

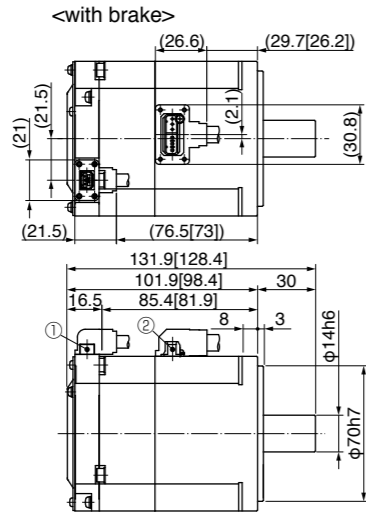
**MQMF 400 W**  
Connector type (IP67)

● MQMF04□L1□□

■ without protective lip/ with oil seal

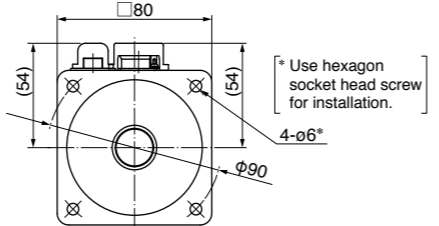
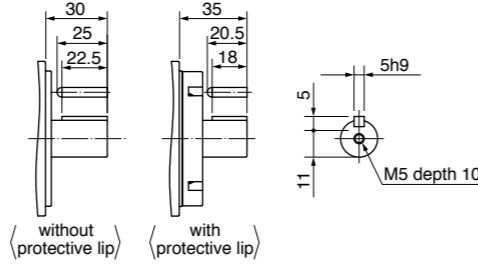


① Encoder connector  
② Motor/Brake connector



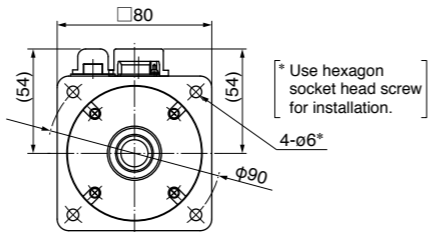
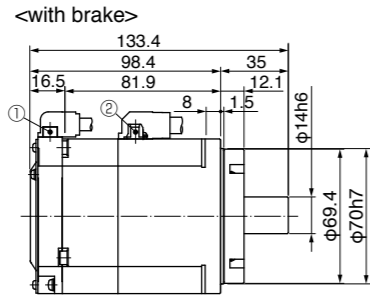
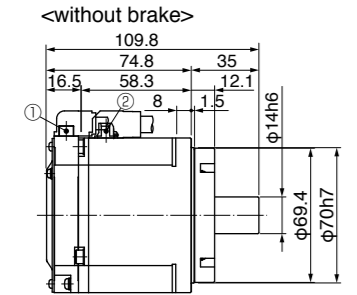
Key way dimensions [Unit: mm]

<Key way, center tap shaft>



\* Figures in [ ] represent the dimensions without oil seal.

■ with protective lip/ with oil seal

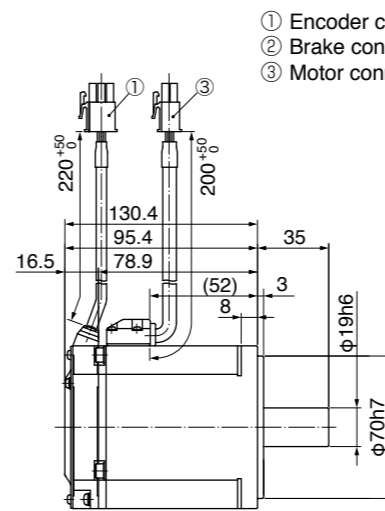


\* For motors specifications, refer to P.71, P.72.

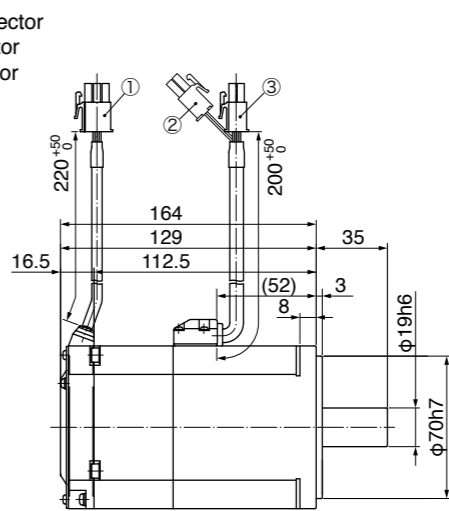
**MHMF 750 W, 1000 W**  
Leadwire type (IP65) with oil seal

● MHMF082L1□□

<without brake>



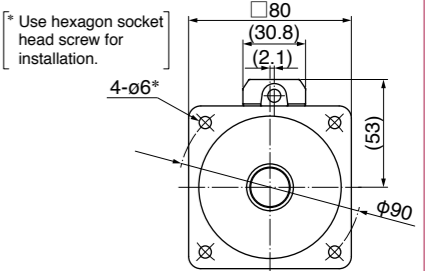
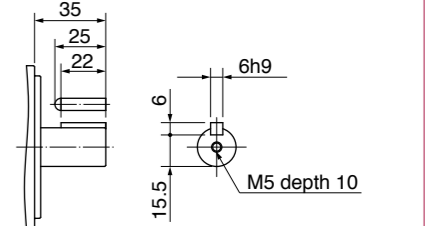
<with brake>



① Encoder connector  
② Brake connector  
③ Motor connector

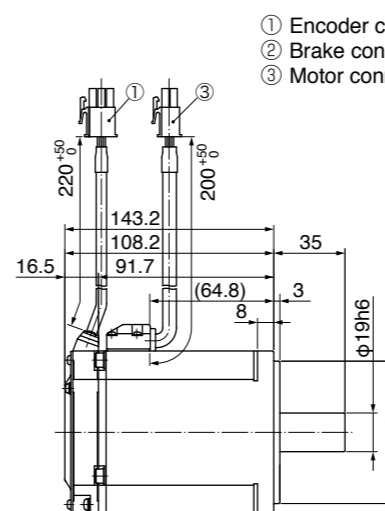
Key way dimensions [Unit: mm]

<Key way, center tap shaft>

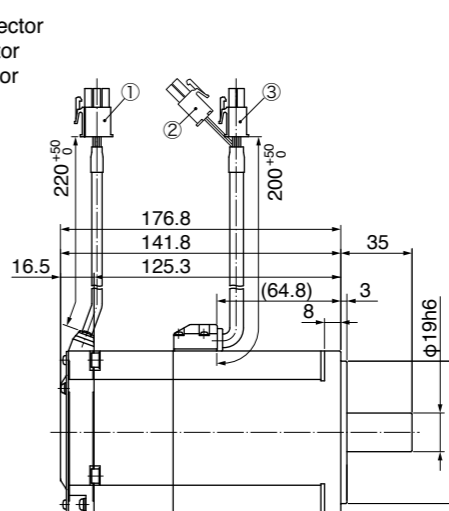


● MHMF092L1□□

<without brake>



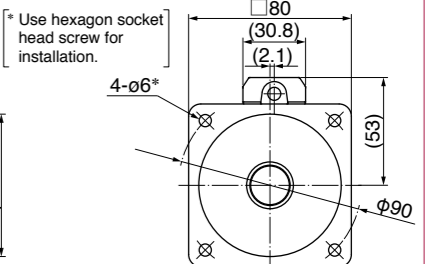
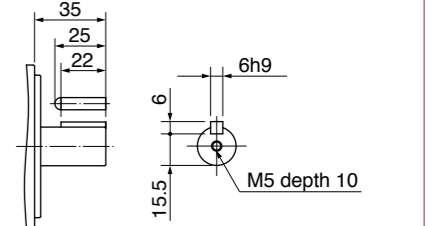
<with brake>



① Encoder connector  
② Brake connector  
③ Motor connector

Key way dimensions [Unit: mm]

<Key way, center tap shaft>



\* For motors specifications, refer to P.81, P.82.

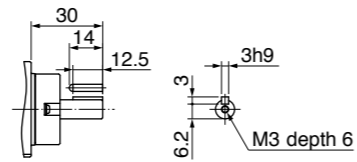
● MHMF5AZL1 □ □ □

<without brake>

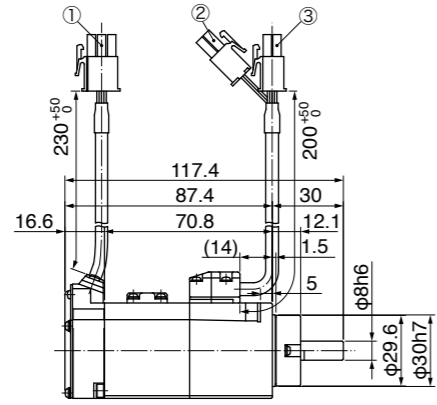
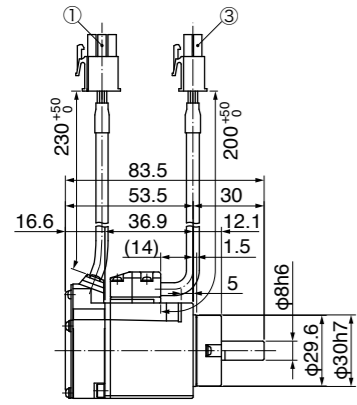
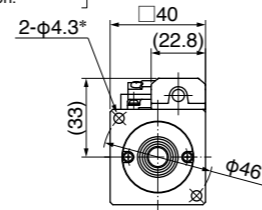
<with brake>

- ① Encoder connector
- ② Brake connector
- ③ Motor connector

Key way dimensions  
<Key way, center tap shaft> [Unit: mm]



\* Use hexagon socket head screw for installation.



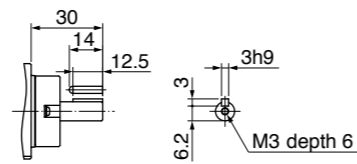
● MHMF01 □ L1 □ □ □

<without brake>

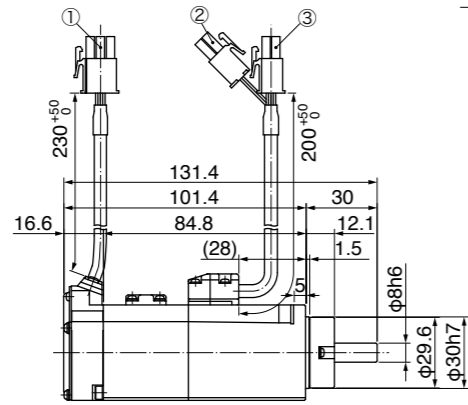
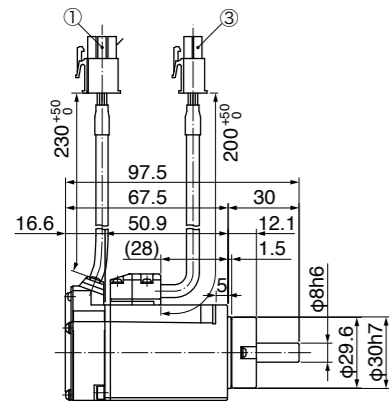
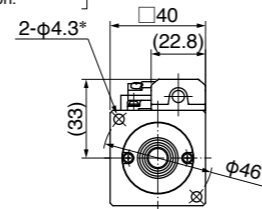
<with brake>

- ① Encoder connector
- ② Brake connector
- ③ Motor connector

Key way dimensions  
<Key way, center tap shaft> [Unit: mm]



\* Use hexagon socket head screw for installation.



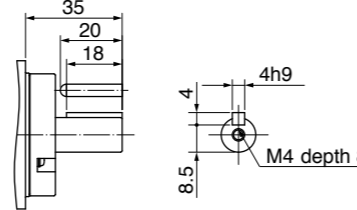
● MHMF02 □ L1 □ □ □

<without brake>

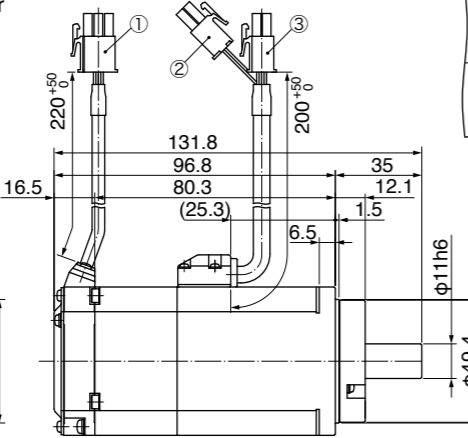
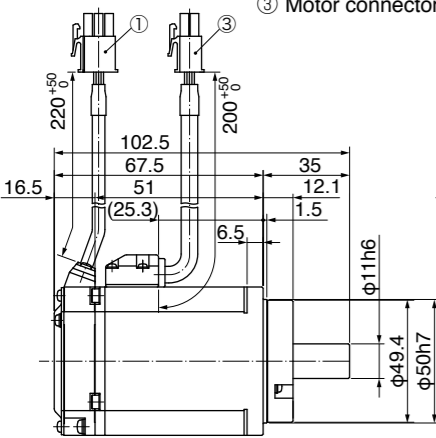
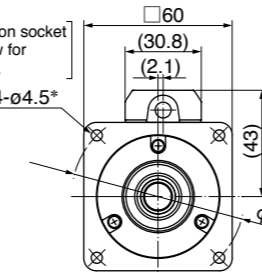
<with brake>

- ① Encoder connector
- ② Brake connector
- ③ Motor connector

Key way dimensions  
<Key way, center tap shaft> [Unit: mm]



\* Use hexagon socket head screw for installation.



\* For motors specifications, refer to P.73 to P.78.

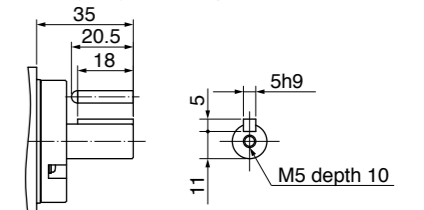
● MHMF04 □ L1 □ □ □

<without brake>

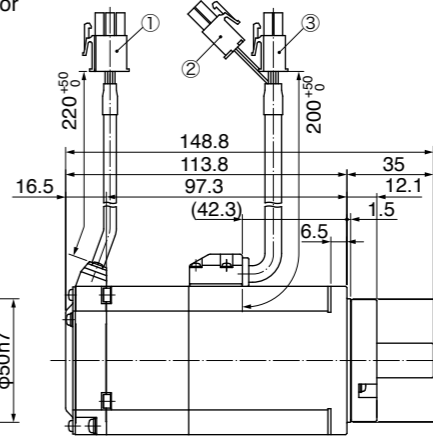
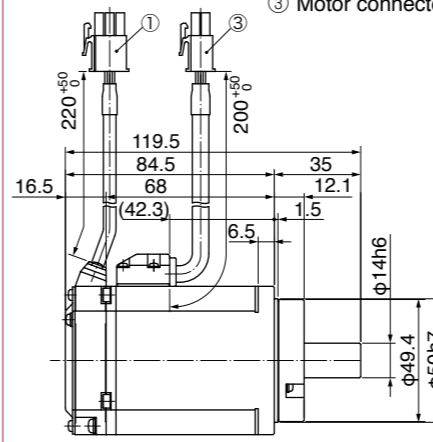
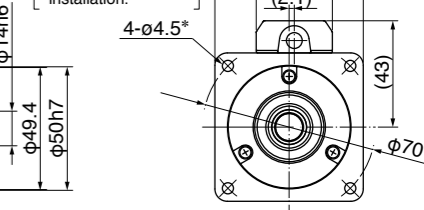
<with brake>

- ① Encoder connector
- ② Brake connector
- ③ Motor connector

Key way dimensions  
<Key way, center tap shaft> [Unit: mm]



\* Use hexagon socket head screw for installation.



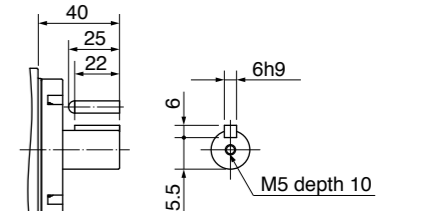
● MHMF082L1 □ □ □

<without brake>

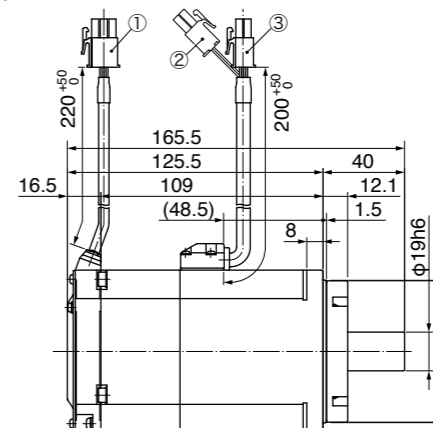
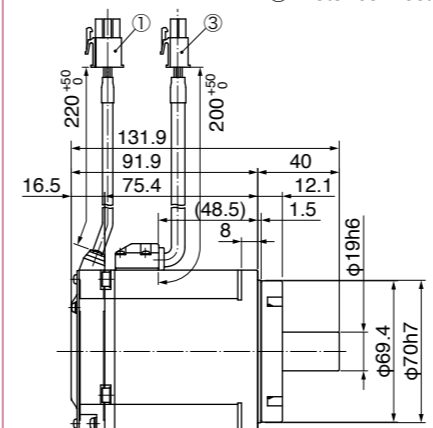
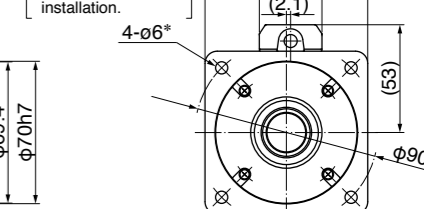
<with brake>

- ① Encoder connector
- ② Brake connector
- ③ Motor connector

Key way dimensions  
<Key way, center tap shaft> [Unit: mm]



\* Use hexagon socket head screw for installation.



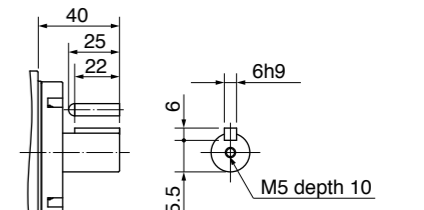
● MHMF092L1 □ □ □

<without brake>

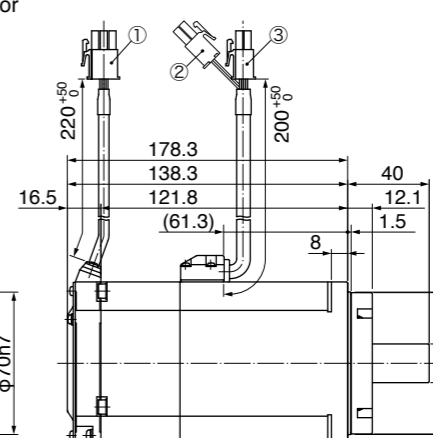
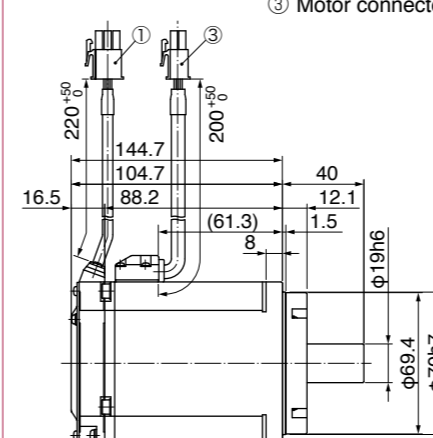
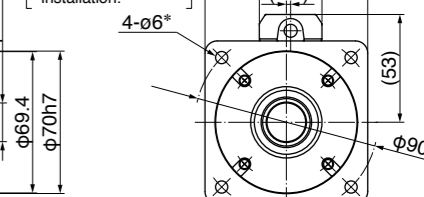
<with brake>

- ① Encoder connector
- ② Brake connector
- ③ Motor connector

Key way dimensions  
<Key way, center tap shaft> [Unit: mm]



\* Use hexagon socket head screw for installation.

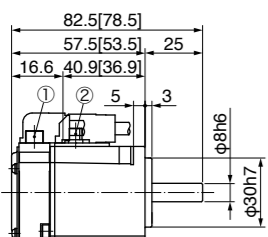
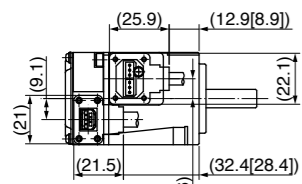


\* For motors specifications, refer to P.79 to P.82.

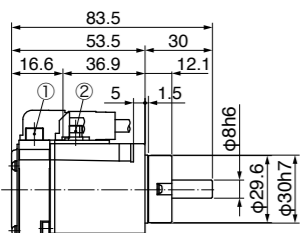
MHMF 50 W, 100 W  
Connector type (IP67)

● MHMF5AZL1□□

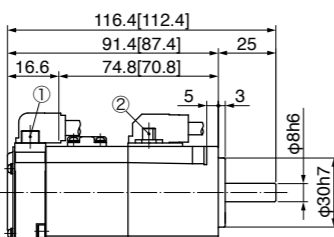
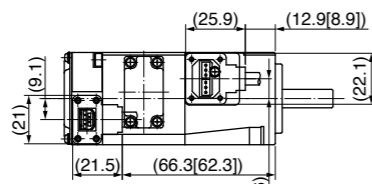
■ without protective lip/ with oil seal  
<without brake>



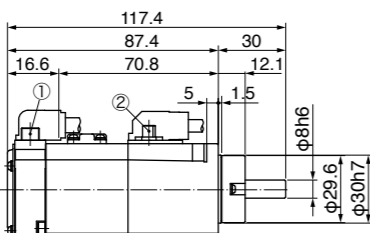
■ with protective lip/ with oil seal  
<without brake>



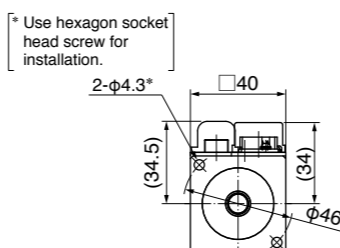
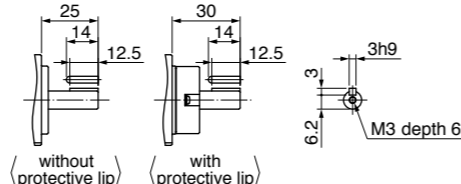
① Encoder connector  
② Motor/Brake connector  
<with brake>



<with brake>



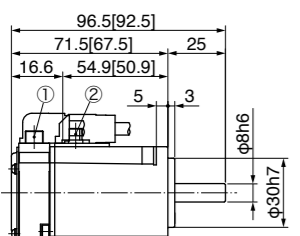
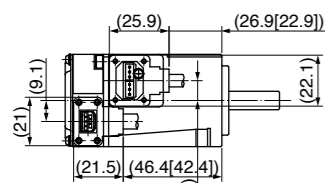
Key way dimensions  
<Key way, center tap shaft>



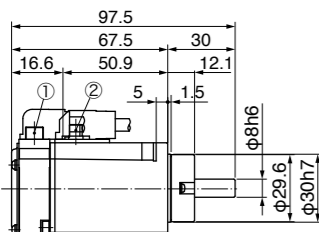
\* Figures in [ ] represent the dimensions without oil seal.

● MHMF01□L1□□

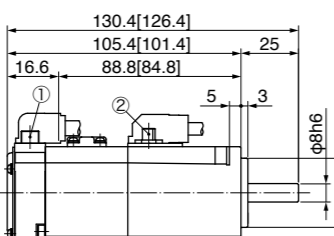
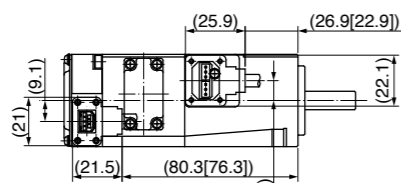
■ without protective lip/ with oil seal  
<without brake>



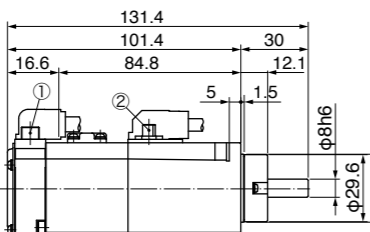
■ with protective lip/ with oil seal  
<without brake>



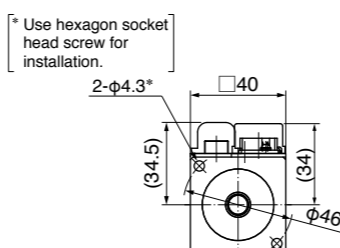
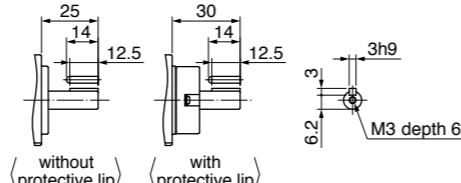
① Encoder connector  
② Motor/Brake connector  
<with brake>



<with brake>



Key way dimensions  
<Key way, center tap shaft>



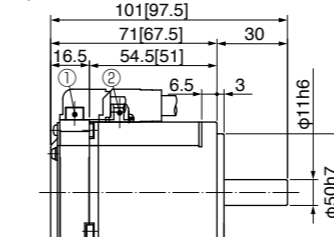
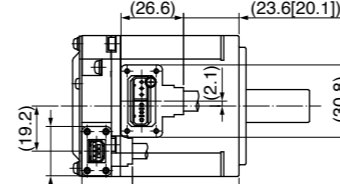
\* Figures in [ ] represent the dimensions without oil seal.

\* For motors specifications, refer to P.73 to P.76.

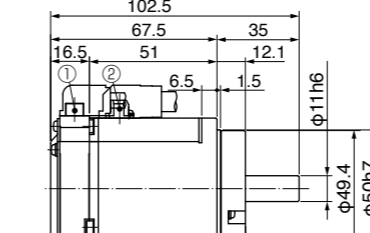
MHMF 200 W, 400 W  
Connector type (IP67)

● MHMF02□L1□□

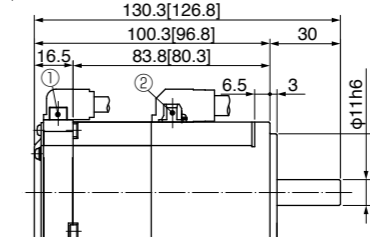
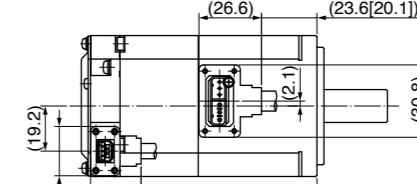
■ without protective lip/ with oil seal  
<without brake>



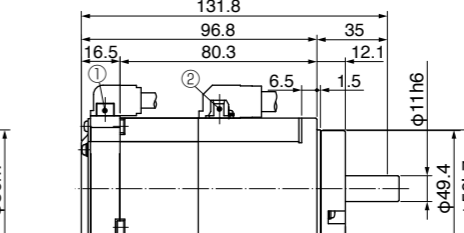
■ with protective lip/ with oil seal  
<without brake>



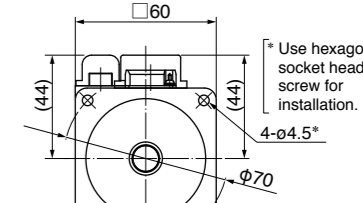
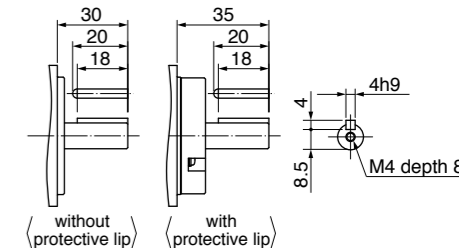
① Encoder connector  
② Motor/Brake connector  
<with brake>



\* Figures in [ ] represent the dimensions without oil seal.

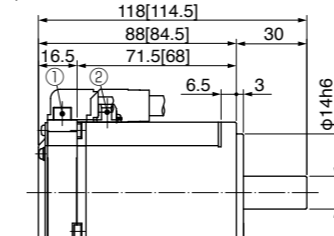
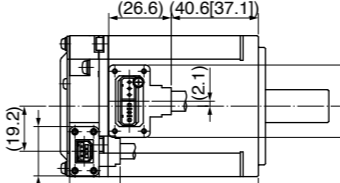


Key way dimensions  
<Key way, center tap shaft>

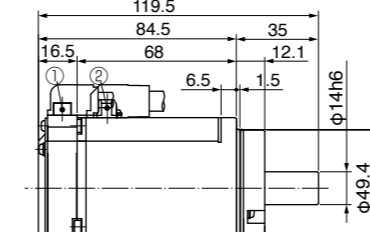


● MHMF04□L1□□

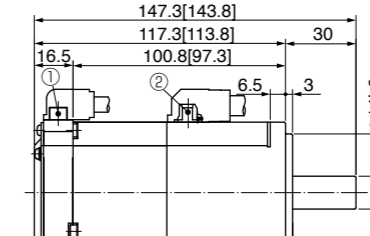
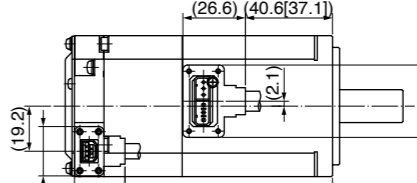
■ without protective lip/ with oil seal  
<without brake>



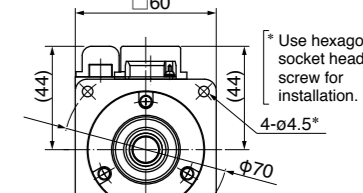
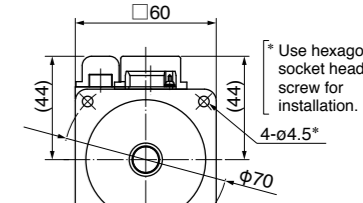
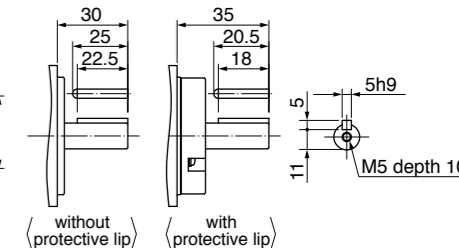
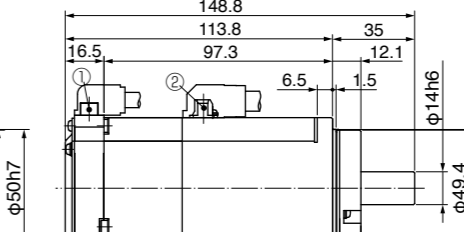
■ with protective lip/ with oil seal  
<without brake>



① Encoder connector  
② Motor/Brake connector  
<with brake>



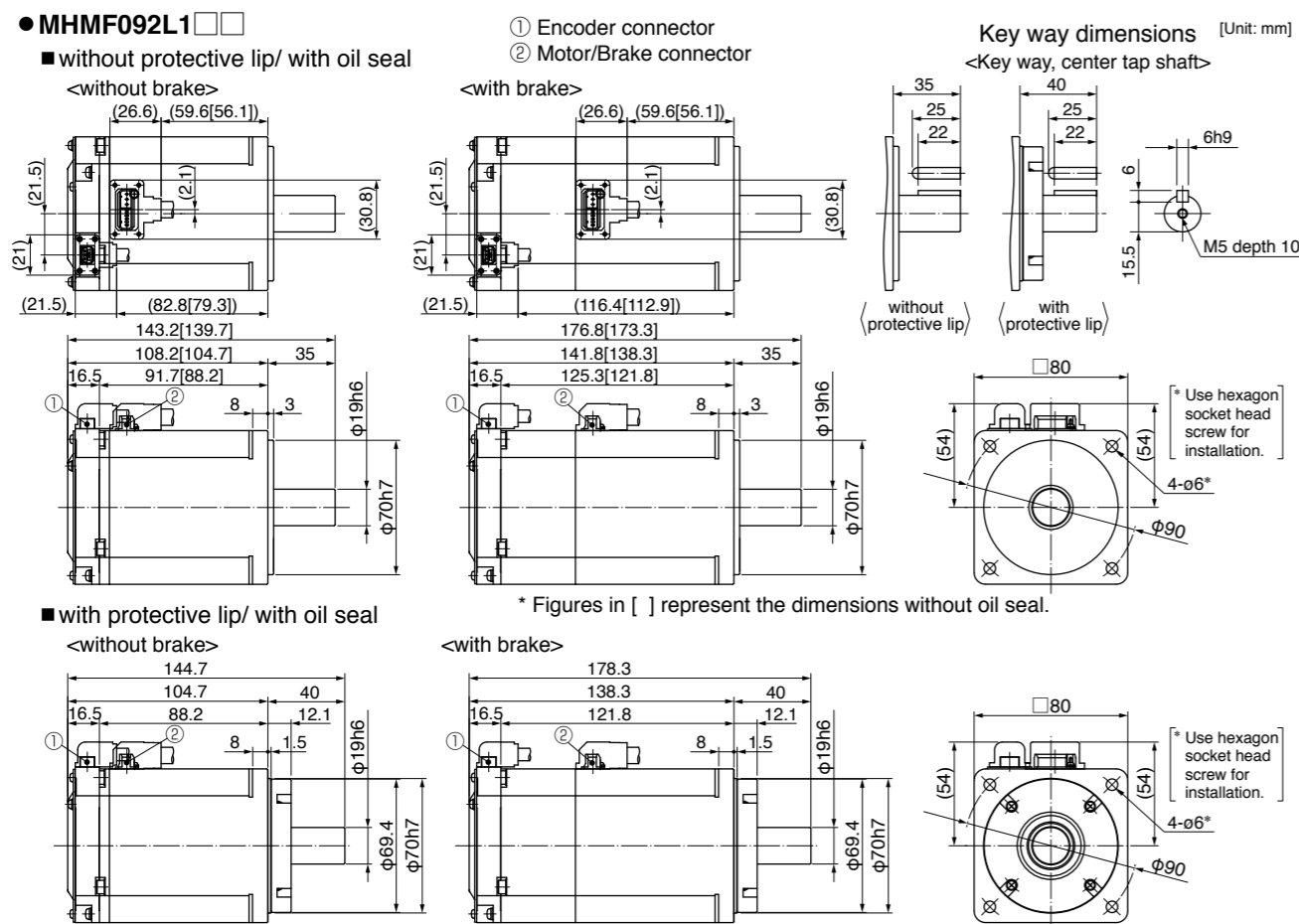
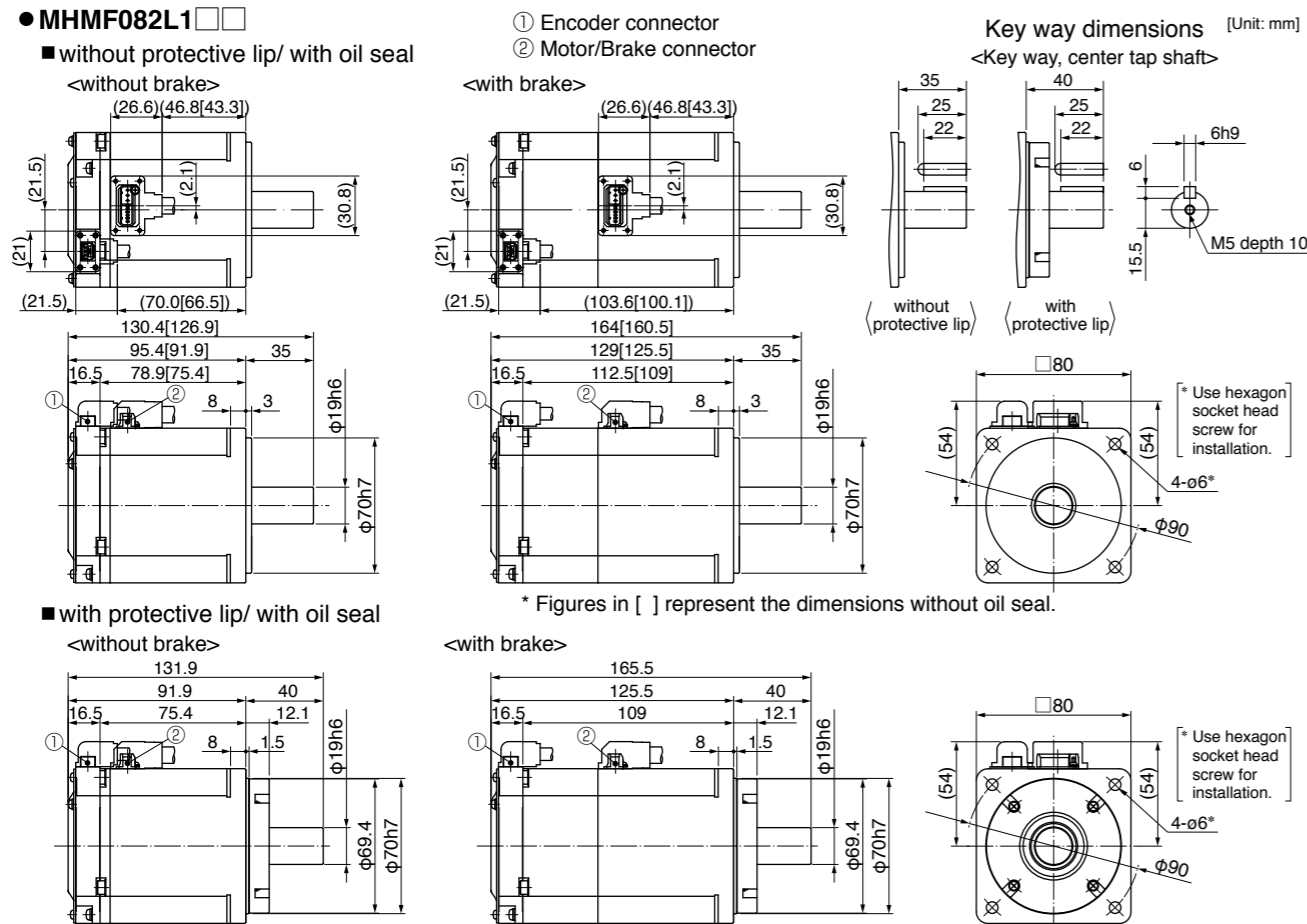
\* Figures in [ ] represent the dimensions without oil seal.



\* For motors specifications, refer to P.77 to P.80.

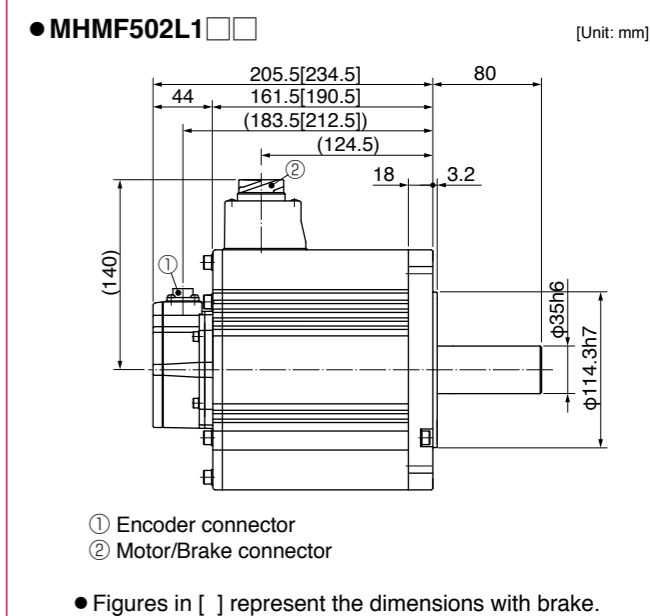
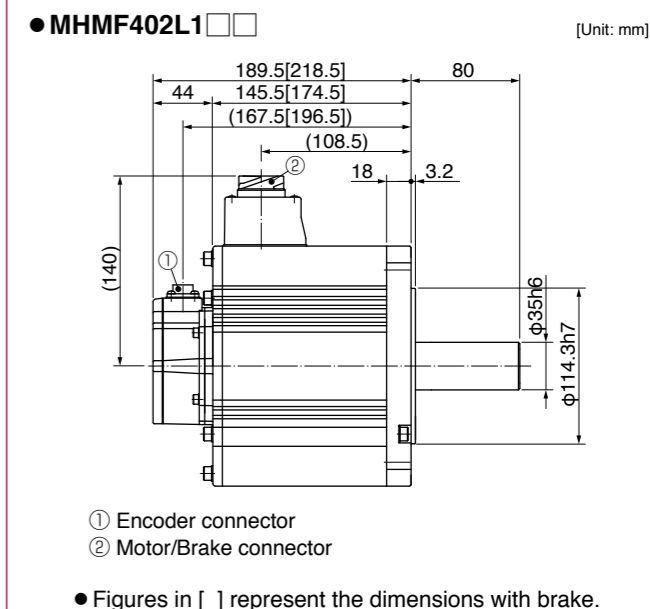
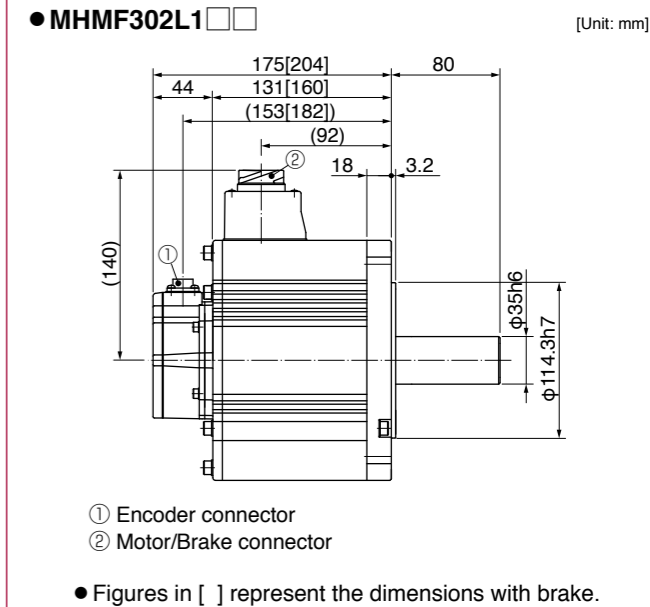
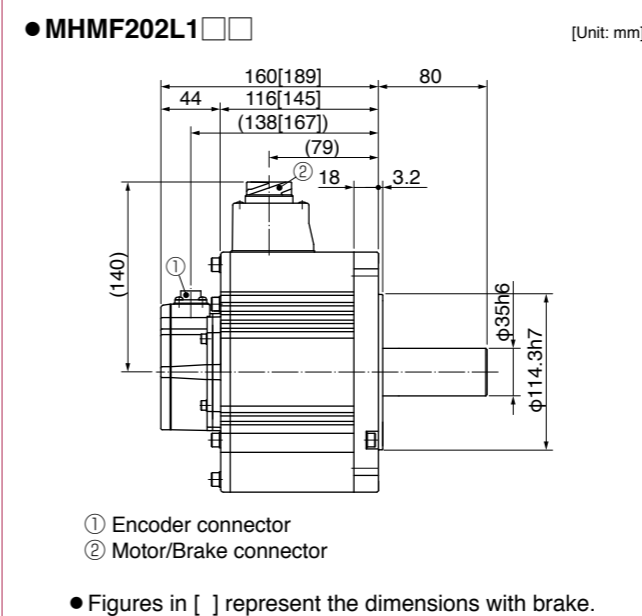
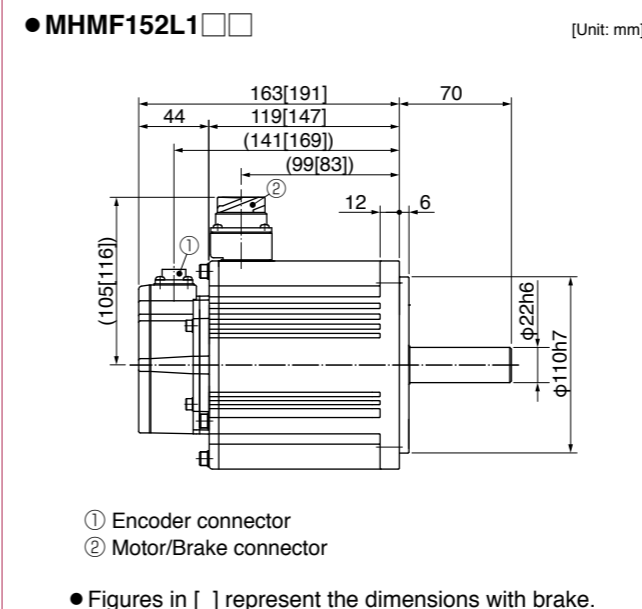
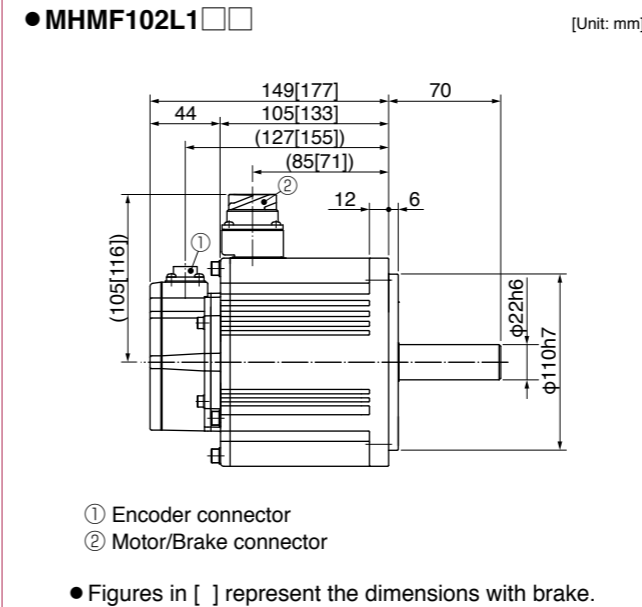


MHMF 750 W, 1000 W  
Connector type (IP67)



\* For motors specifications, refer to P.81, P.82.

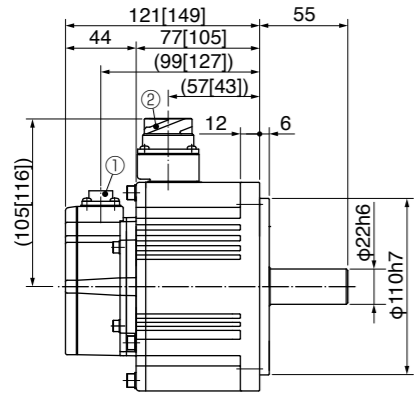
MHMF 1.0 kW to 5.0 kW  
Small size connector (JN2)



\* For motor specifications and mounting dimensions (on flange face), refer to P.83 to P.88.

● MDMF102L1 □ □

[Unit: mm]

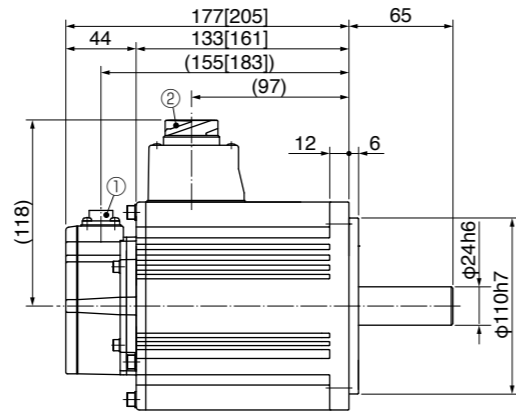


- ① Encoder connector
- ② Motor/Brake connector

● Figures in [ ] represent the dimensions with brake.

● MDMF302L1 □ □

[Unit: mm]

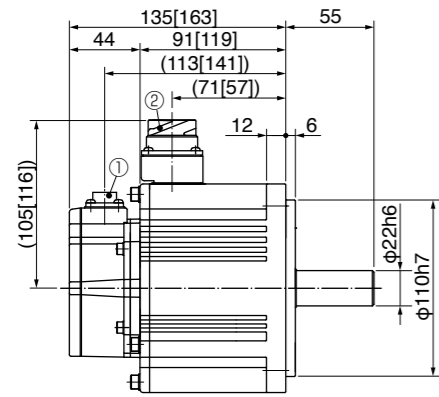


- ① Encoder connector
- ② Motor/Brake connector

● Figures in [ ] represent the dimensions with brake.

● MDMF152L1 □ □

[Unit: mm]

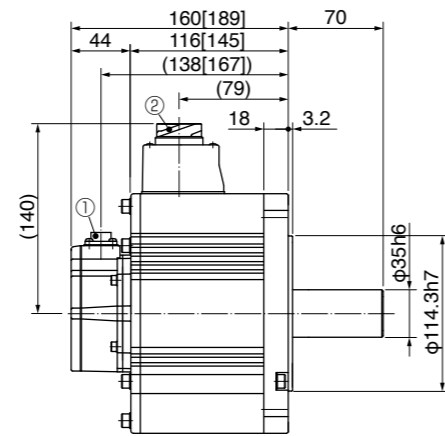


- ① Encoder connector
- ② Motor/Brake connector

● Figures in [ ] represent the dimensions with brake.

● MDMF402L1 □ □

[Unit: mm]

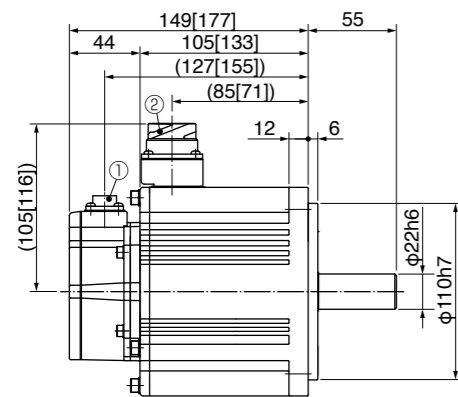


- ① Encoder connector
- ② Motor/Brake connector

● Figures in [ ] represent the dimensions with brake.

● MDMF202L1 □ □

[Unit: mm]

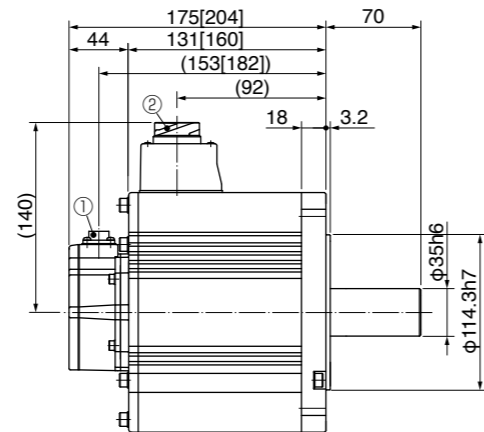


- ① Encoder connector
- ② Motor/Brake connector

● Figures in [ ] represent the dimensions with brake.

● MDMF502L1 □ □

[Unit: mm]

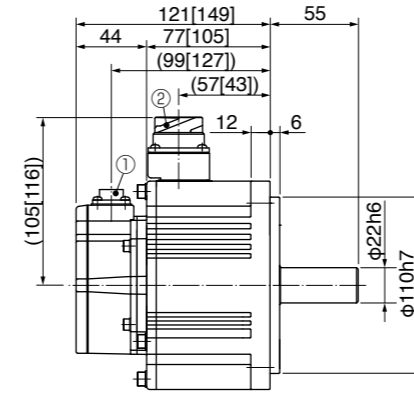


- ① Encoder connector
- ② Motor/Brake connector

● Figures in [ ] represent the dimensions with brake.

● MGMF092L1 □ □

[Unit: mm]

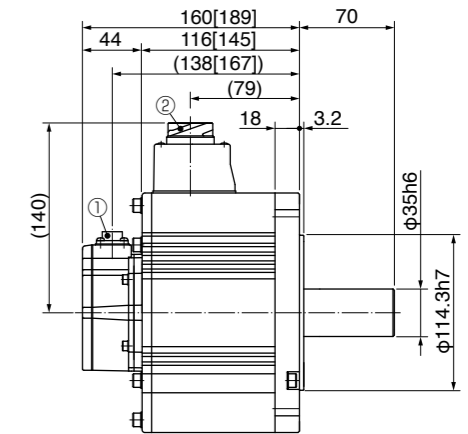


- ① Encoder connector
- ② Motor/Brake connector

● Figures in [ ] represent the dimensions with brake.

● MGMF292L1 □ □

[Unit: mm]

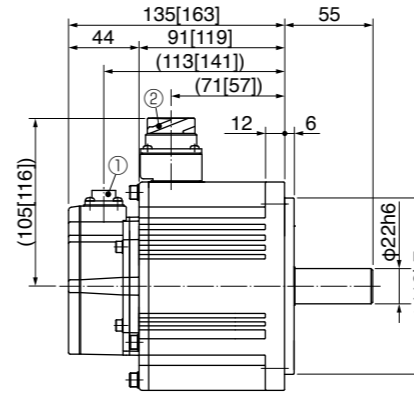


- ① Encoder connector
- ② Motor/Brake connector

● Figures in [ ] represent the dimensions with brake.

● MGMF132L1 □ □

[Unit: mm]

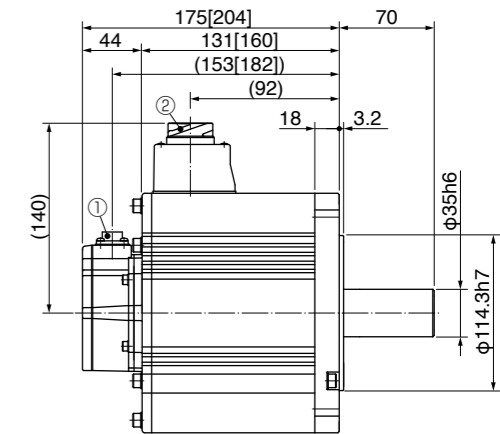


- ① Encoder connector
- ② Motor/Brake connector

● Figures in [ ] represent the dimensions with brake.

● MGMF442L1 □ □

[Unit: mm]

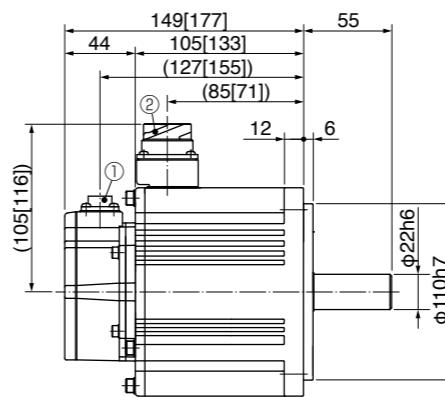


- ① Encoder connector
- ② Motor/Brake connector

● Figures in [ ] represent the dimensions with brake.

● MGMF182L1 □ □

[Unit: mm]



- ① Encoder connector
- ② Motor/Brake connector

● Figures in [ ] represent the dimensions with brake.




\* For motor specifications and mounting dimensions (on flange face), refer to P.89 to P.94.

\* For motor specifications and mounting dimensions (on flange face), refer P.95 to P.99.

Features

- Line-up IP67 motor: 1.0 kW to 5.0 kW
- Max speed: 6500r/min (MHMF 50 W to 400 W)
- Low inertia (MSMF) to High inertia (MHMF).
- Low cogging torque: Rated torque ratio 0.5 % (typical value).
- 23-bit absolute encoder (8388608 pulse).

Motor Lineup

80 mm sq. or less			
	<b>MSMF</b> Low inertia	<b>MQMF</b> (Flat type) Middle inertia	<b>MHMF</b> High inertia
	Max. speed : 6000 r/min Rated speed : 3000 r/min Rated output : 50 W to 1000 W Enclosure: IP65: Leadwire type	Max. speed : 6500 r/min Rated speed : 3000 r/min Rated output : 100 W to 400 W Enclosure: IP65: Leadwire type	Max. speed : 6500 r/min 6000 r/min (750 W,1000 W) Rated speed : 3000 r/min Rated output : 50 W to 1000 W Enclosure: IP65: Leadwire type

80 mm sq. or more		
	<b>MSMF</b> Low inertia	<b>MDMF</b> Middle inertia
Max. speed : 5000 r/min 4500 r/min (4.0 kW,5.0 kW) Rated speed : 3000 r/min Rated output : 1.0 kW to 5.0 kW Enclosure : IP67	Max. speed : 3000 r/min Rated speed : 2000 r/min Rated output: 1.0 kW to 5.0 kW Enclosure : IP67	

100 mm sq. or more		
	<b>MGMF</b> (Low speed/ High torque type) Middle inertia	<b>MHMF</b> High inertia
Max. speed : 3000 r/min Rated speed : 1500 r/min Rated output : 0.85 kW to 4.4 kW Enclosure : IP67	Max. speed : 3000 r/min Rated speed : 2000 r/min Rated output: 1.0 kW to 5.0 kW Enclosure : IP67	

Special Order Product Motor Contents

- MSMF (200 V)**  
50 W to 5.0 kW ..... P.121
- MQMF (200 V)**  
100 W to 400 W ..... P.133
- MHMF (200 V)**  
50 W to 5.0 kW ..... P.136
- MDMF (200 V)**  
1.0 kW to 5.0 kW ..... P.148
- MGMF (200 V)**  
0.85 kW to 4.4 kW ..... P.154

- Dimensions**
- MQMF (100 W to 400 W)  
Leadwire type  
with oil seal .....P.159
  - MQMF (100 W to 400 W)  
Leadwire type  
with protective lip/ with oil seal  
.....P.160
  - MHMF (50 W, 1000 W)  
Leadwire type  
with oil seal .....P.161
  - MHMF (50 W to 1000 W)  
Leadwire type  
with protective lip/ with oil seal  
.....P.163

- Motor Specification Description**
- Environmental Conditions... P.165
  - Notes on [Motor specification] page..... P.165
  - Permissible Load at Output Shaft..... P.166
  - Built-in Holding Brake ..... P.167

<Cautions> Please avoid the motor, or equipment containing the motor to be distributed to Japan, or other regions through Japan.

\* For combination of elements of model number, refer to Index P.272.

Model Designation

Servo Motor

**M S M F 5 A 2 L 1 A 1 \*** ————— Special specifications

① ② ③ ④ ⑤ ⑥ ⑦

① Type

Symbol	Type
MSM	Low inertia (50 W to 5.0 kW)
MQM	Middle inertia (100 W to 400 W)
MDM	Middle inertia (1.0 kW to 5.0 kW)
MGM	Middle inertia (0.85 kW to 4.4 kW)
MHM	High inertia (50 W to 5.0 kW)

② Series

Symbol	Series name
F	A6 series

③ Motor rated output

Symbol	Rated output	Symbol	Rated output
5A	50 W	15	1.5 kW
01	100 W	18	1.8 kW
02	200 W	20	2.0 kW
04	400 W	29	2.9 kW
08	750 W	30	3.0 kW
09	0.85 kW, 1000 W (130 mm sq.) (80 mm sq.)	40	4.0 kW
		44	4.4 kW
10	1.0 kW	50	5.0 kW
13	1.3 kW		

④ Voltage specifications

Symbol	Specifications
2	200 V
Z	100 V/200 V common (50 W only)

⑤ Rotary encoder specifications

Symbol	Format	Pulse counts	Resolution	Wires
L	Absolute	23-bit	8388608	7

<Note>  
When using a rotary encoder as an incremental system (not using multi-turn data), do not connect a battery for absolute encoder.

⑥ Design order

Symbol	Specifications
1	Standard

⑦ Motor specifications: 80 mm sq. or less Leadwire type IP65 MSMF 50 W to 1000 W

Symbol		Shaft		Holding brake		Oil seal	
		Round	Key-way, center tap	without	with	without	with
A	2	●		●		●	
B	2	●			●		●
C	2	●		●			●
D	2	●			●		●
S	2		●	●		●	
T	2		●		●	●	
U	2		●	●			●
V	2		●		●		●

⑦ Motor specifications: 80 mm sq. or less Leadwire type IP65 MHMF 50 W to 1000 W, MQMF 100 W to 400 W

Symbol		Shaft		Holding brake		Oil seal		
		Round	Key-way, center tap	without	with	without	with	With protective lip
A	2	●		●		●		
B	2	●			●		●	
C	2	●		●				●
C	4	●		●				●
D	2	●			●			●
D	4	●			●			●
S	2		●	●		●		
T	2		●		●	●		
U	2		●	●				●
U	4		●	●				●
V	2		●		●			●
V	4		●		●			●

⑦ Motor specifications: 100 mm sq. or more Encoder connector : JL10 IP67 MSMF, MHMF, MDMF, MGMF

Symbol		Shaft		Holding brake		Oil seal	
		Round	Key-way	without	with	with	With protective lip
C	6	●		●		●	
C	8	●		●			●
D	6	●			●		●
D	8	●			●		●
G	6		●	●		●	
G	8		●	●			●
H	6		●		●	●	
H	8		●		●		●

\* Encoder connector JL10: Also applicable to screwed type

Servo Driver

**M A D L N 1 5 S E \* \* \*** ————— Special specifications

① ② ③ ④ ⑤ ⑥ ⑦

① Frame symbol

Symbol	Frame	Symbol	Frame
MAD	A-Frame	MDD	D-Frame
MBD	B-Frame	MED	E-Frame
MCD	C-Frame	MFD	F-Frame

② Series

Symbol	Series name
L	A6 series

③ Safety Function

Symbol	Specifications
N	without the safety function
T	with the safety function

④ Max. current rating

Symbol	Current rating	Symbol	Current rating
0	6 A	5	40 A
1	8 A	8	60 A
2	12 A	A	100 A
3	22 A	B	120 A
4	24 A		

⑤ Supply voltage specifications

Symbol	Specifications
3	3-phase 200 V
5	Single/3-phase 200 V

⑥ I/f specifications ⑦ Classification of type

Symbol (specification)	Symbol	Specification
S (Analog/Pulse)	E	Basic type (Pulse train only)
	F	Multi function type (Pulse, analog, full-closed)
	G	RS485 communication type (Pulse train only)
N (RTEX)	E	without the safety function
	F	with the safety function
B (EtherCAT)		(Scheduled to release in 2016)

Motor					Driver			Optional parts											
Motor series	Power supply	Output (W)	Part No. Note)1	Rating/Spec. Dimensions (page)	A6 SF series Multi function type (Pulse, analog, full-closed)	A6 SG series RS485 communication A6 SE series Basic (Pulse signal input) Note)2, Note)4	Frame	Power capacity (at rated load) (kVA)	Encoder Cable Note)3		Motor Cable Note)3		Brake Cable Note)3	External Regenerative Resistor	Reactor (Single phase 3-phase)	Noise Filter (Single phase 3-phase)			
									23-bit Absolute		without Brake	with Brake					Use in the absolute system (with battery box) Note)5	Use in the incremental system (without battery box)	
Low inertia	MSMF (Leadwire type) 3000 r/min IP65	Single phase/3-phase 200 V		50	MSMF5AZL1 □ 2M	121	MADLT05SF	MADLN05S◇	A-frame	Approx. 0.5	MFECA 0 * * 0EAE (For fixed)	MFECA 0 * * 0EAD (For fixed)	MFMCA 0 * * 0EED	MFMCB 0 * * 0GET	DV0P4281	DV0P227 DV0P220	DV0P4170 DV0PM20042		
				100	MSMF012L1 □ 2M	122	MADLT05SF	MADLN05S◇											
				200	MSMF022L1 □ 2M	123	MADLT15SF	MADLN15S◇											
				400	MSMF042L1 □ 2M	124	MBDLT25SF	MBDLN25S◇										B-frame	Approx. 0.9
				750	MSMF082L1 □ 2M	125	MCDLT35SF	MCDLN35S◇										C-frame	Approx. 1.3
				1000	MSMF092L1 □ 2M	126	MDDLT45SF	MDDLN45S◇										D-frame	Approx. 1.8
Middle inertia Flat type	MQMF (Leadwire type) 3000 r/min IP65	Single phase/3-phase 200 V		100	MQMF012L1 □ 2M MQMF012L1 □ 4M	133	MADLT05SF	MADLN05S◇	A-frame	Approx. 0.5	MFECA 0 * * 0EAE (For fixed)	MFECA 0 * * 0EAD (For fixed)	MFMCA 0 * * 0EED	MFMCB 0 * * 0GET	DV0P4281	DV0P227 DV0P220	DV0P4170 DV0PM20042		
				200	MQMF022L1 □ 2M MQMF022L1 □ 4M	134	MADLT15SF	MADLN15S◇											
				400	MQMF042L1 □ 2M MQMF042L1 □ 4M	135	MBDLT25SF	MBDLN25S◇										B-frame	Approx. 0.9
High inertia	MHMF (Leadwire type) 3000 r/min IP65	Single phase/3-phase 200 V		50	MHMF5AZL1 □ 2M MHMF5AZL1 □ 4M	136	MADLT05SF	MADLN05S◇	A-frame	Approx. 0.5	MFECA 0 * * 0EAE (For fixed)	MFECA 0 * * 0EAD (For fixed)	MFMCA 0 * * 0EED	MFMCB 0 * * 0GET	DV0P4281	DV0P227 DV0P220	DV0P4170 DV0PM20042		
				100	MHMF012L1 □ 2M MHMF012L1 □ 4M	137	MADLT05SF	MADLN05S◇											
				200	MHMF022L1 □ 2M MHMF022L1 □ 4M	138	MADLT15SF	MADLN15S◇											
				400	MHMF042L1 □ 2M MHMF042L1 □ 4M	139	MBDLT25SF	MBDLN25S◇										B-frame	Approx. 0.9
				750	MHMF082L1 □ 2M MHMF082L1 □ 4M	140	MCDLT35SF	MCDLN35S◇										C-frame	Approx. 1.3
				1000	MHMF092L1 □ 2M MHMF092L1 □ 4M	141	MDDLT55SF	MDDLN55S◇										D-frame	Approx. 2.3

- Note)1 □ : Represents the motor specifications. (refer to "Model designation" P.116.)
- Note)2 ◇ : Represents the driver specifications. (refer to "Model designation" P.116.)
- Note)3 \* \* : Represents the cable length (03/3 m, 05/5 m, 10/10 m, 20/20 m). Example. 3 m/MFECA0030EAE
- Note)4 Because A6SE series driver (dedicated for position control) does not support the absolute system specification, only incremental system can be used in combination.
- Note)5 Please note that a battery is not supplied together with 23-bit absolute encoder cable (with battery box). Please buy the battery part number "DV0P2990" separately.

Options		
Title	Part No.	Page
Interface Cable	DV0P4360	182
Interface Conversion Cable	DV0P4120	182
	DV0P4121	182
	DV0P4130	182
	DV0P4131	182
	DV0P4132	182
Connector Kit for Power Supply Input Connection	A-frame to D-frame Single row type DV0PM20032	185
	D-frame Double row type DV0PM20033	185
Connector Kit for Motor Connection	A-frame to D-frame DV0PM20034	186
Connector Kit for Motor/Encoder Connection		DV0P4290
Connector Kit	RS485, RS232	DV0PM20024
	Safety	DV0PM20025
	Interface	DV0P4350
	External Scale	DV0PM20026
Encoder	DV0PM20010	184
	DV0P4284	DV0P228 DV0P222
Battery for Absolute Encoder		DV0P2990
Battery Box for Absolute Encoder Note)5		DV0P4430
Mounting Bracket	For A-frame, B-frame	DV0PM20100
	For C-frame, D-frame	DV0PM20101
Encoder Cable	with Battery Box Note)5	MFECA0 * * 0EAE
	without Battery Box	MFECA0 * * 0EAD
Motor Cable	without Brake	MFMCA0 * * 0EED
Brake Cable		MFMCB0 * * 0GET
External regenerative resistor	50 Ω 25 W	DV0P4280
	100 Ω 25 W	DV0P4281
	25 Ω 50 W	DV0P4282
	50 Ω 50 W	DV0P4283
	30 Ω 100 W	DV0P4284
Reactor	DV0P220	196
	DV0P222	196
	DV0P227	196
	DV0P228	196
Noise Filter	DV0P4170	236
	DV0PM20042	236
Surge Absorber	DV0P4220	236
	DV0P4190	237
Ferite Core	DV0P1450	237
	DV0P1460	238

Motor					Driver				Optional parts														
Motor series	Power supply	Output (W)	Part No. (Note)1	Rating/Spec. Dimensions (page)	A6 SF series Multi function type (Pulse, analog, full-closed)	A6 SG series RS485 communication	A6 SE series Basic (Pulse signal input) (Note)2, (Note)4	Frame	Power capacity (at rated load) (kVA)	Encoder Cable (Note)3,5		Motor Cable (Note)3,5		External Regenerative Resistor	Reactor (Single phase / 3-phase)	Noise Filter							
										JL10 (Large size) (One-touch lock type) (N/MS screwed type)		JL10 (One-touch lock type) (JL04 screwed type)											
										23-bit Absolute		without Brake	with Brake										
		Use in the absolute system (with battery box) (Note)7		Use in the incremental system (without battery box)																			
Low inertia	MSMF Large size JL10 type 3000 r/min IP67	Single phase/3-phase 200 V	1000	MSMF102L1 □ 6M MSMF102L1 □ 8M	127	MDDL55SF	MDDL55S◇	D-frame	Approx. 2.3	MFCEA 0 * * 0EPE	MFCEA 0 * * 0EPD	MFCEA 0 * * 0ESE	MFCEA 0 * * 0ESD	DV0P4284	DV0P228 / DV0P222 DV0P20047 / DV0P222	DV0P4220							
			1500	MSMF152L1 □ 6M MSMF152L1 □ 8M	128	MDDL55SF	MDDL55S◇																
		3-phase 200 V	2000	MSMF202L1 □ 6M MSMF202L1 □ 8M	129	MEDLT83SF	MEDLN83S◇	E-frame	Approx. 3.8								MFCEA 0 * * 0EPE	MFCEA 0 * * 0EPD	MFCEA 0 * * 0ESE	MFCEA 0 * * 0ESD	DV0P4285 Note)6	DV0P223	DV0PM20043
			3000	MSMF302L1 □ 6M MSMF302L1 □ 8M	130	MFDLTA3SF	MFDLNA3S◇																
			4000	MSMF402L1 □ 6M MSMF402L1 □ 8M	131	MFDLTB3SF	MFDLNB3S◇																
5000	MSMF502L1 □ 6M MSMF502L1 □ 8M	132	MFDLTB3SF	MFDLNB3S◇	F-frame	Approx. 7.5	MFCEA 0 * * 0EPE	MFCEA 0 * * 0EPD	MFCEA 0 * * 0ESE	MFCEA 0 * * 0ESD	DV0P4285 x2 in parallel	DV0P224 DV0P225	DV0P3410										
	5000	MSMF502L1 □ 6M MSMF502L1 □ 8M	132	MFDLTB3SF										MFDLNB3S◇									
Middle inertia	MDMF Large size JL10 type 2000 r/min IP67	Single phase/3-phase 200 V	1000	MDMF102L1 □ 6M MDMF102L1 □ 8M	148	MDDL45SF								MDDL45S◇	D-frame	Approx. 1.8	MFCEA 0 * * 0EPE	MFCEA 0 * * 0EPD	MFCEA 0 * * 0ESE	MFCEA 0 * * 0ESD	DV0P4284	DV0P228 / DV0P222 DV0P20047 / DV0P222	DV0P4220
			1500	MDMF152L1 □ 6M MDMF152L1 □ 8M	149	MDDL55SF								MDDL55S◇									
		3-phase 200 V	2000	MDMF202L1 □ 6M MDMF202L1 □ 8M	150	MEDLT83SF								MEDLN83S◇	E-frame	Approx. 3.8							
			3000	MDMF302L1 □ 6M MDMF302L1 □ 8M	151	MFDLTA3SF	MFDLNA3S◇																
			4000	MDMF402L1 □ 6M MDMF402L1 □ 8M	152	MFDLTB3SF	MFDLNB3S◇																
5000	MDMF502L1 □ 6M MDMF502L1 □ 8M	153	MFDLTB3SF	MFDLNB3S◇	F-frame	Approx. 7.5	MFCEA 0 * * 0EPE	MFCEA 0 * * 0EPD	MFCEA 0 * * 0ESE	MFCEA 0 * * 0ESD	DV0P4285 x2 in parallel	DV0P224 DV0P225	DV0P3410										
	5000	MDMF502L1 □ 6M MDMF502L1 □ 8M	153	MFDLTB3SF										MFDLNB3S◇									
High inertia	MGMF Large size JL10 type (Low speed/High torque type) 1500 r/min IP67	Single phase/3-phase 200 V	850	MGMF092L1 □ 6M MGMF092L1 □ 8M	154	MDDL45SF								MDDL45S◇	D-frame	Approx. 1.8	MFCEA 0 * * 0EPE	MFCEA 0 * * 0EPD	MFCEA 0 * * 0ESE	MFCEA 0 * * 0ESD	DV0P4284	DV0P228 / DV0P221 DV0P20047 / DV0P222	DV0P4220
			1300	MGMF132L1 □ 6M MGMF132L1 □ 8M	155	MDDL55SF								MDDL55S◇									
		3-phase 200 V	1800	MGMF182L1 □ 6M MGMF182L1 □ 8M	156	MEDLT83SF								MEDLN83S◇	E-frame	Approx. 3.8							
			2900	MGMF292L1 □ 6M MGMF292L1 □ 8M	157	MFDLTA3SF	MFDLNA3S◇																
			4400	MGMF442L1 □ 6M MGMF442L1 □ 8M	158	MFDLTB3SF	MFDLNB3S◇																
5000	MGMF502L1 □ 6M MGMF502L1 □ 8M	159	MFDLTB3SF	MFDLNB3S◇	F-frame	Approx. 7.5	MFCEA 0 * * 0EPE	MFCEA 0 * * 0EPD	MFCEA 0 * * 0ESE	MFCEA 0 * * 0ESD	DV0P4285 x2 in parallel	DV0P224 DV0P225	DV0P3410										
	5000	MGMF502L1 □ 6M MGMF502L1 □ 8M	159	MFDLTB3SF										MFDLNB3S◇									
High inertia	MHMF Large size JL10 type 2000 r/min IP67	Single phase/3-phase 200 V	1000	MHMF102L1 □ 6M MHMF102L1 □ 8M	142	MDDL45SF								MDDL45S◇	D-frame	Approx. 1.8	MFCEA 0 * * 0EPE	MFCEA 0 * * 0EPD	MFCEA 0 * * 0ESE	MFCEA 0 * * 0ESD	DV0P4284	DV0P228 / DV0P222 DV0P20047 / DV0P222	DV0P4220
			1500	MHMF152L1 □ 6M MHMF152L1 □ 8M	143	MDDL55SF								MDDL55S◇									
		3-phase 200 V	2000	MHMF202L1 □ 6M MHMF202L1 □ 8M	144	MEDLT83SF								MEDLN83S◇	E-frame	Approx. 3.8							
			3000	MHMF302L1 □ 6M MHMF302L1 □ 8M	145	MFDLTA3SF	MFDLNA3S◇																
			4000	MHMF402L1 □ 6M MHMF402L1 □ 8M	146	MFDLTB3SF	MFDLNB3S◇																
5000	MHMF502L1 □ 6M MHMF502L1 □ 8M	147	MFDLTB3SF	MFDLNB3S◇	F-frame	Approx. 7.5	MFCEA 0 * * 0EPE	MFCEA 0 * * 0EPD	MFCEA 0 * * 0ESE	MFCEA 0 * * 0ESD	DV0P4285 x2 in parallel	DV0P224 DV0P225	DV0P3410										
	5000	MHMF502L1 □ 6M MHMF502L1 □ 8M	147	MFDLTB3SF										MFDLNB3S◇									

Note)1 □ : Represents the motor specifications. (refer to "Model designation" P.116.)  
 Note)2 ◇ : Represents the driver specifications. (refer to "Model designation" P.116.)  
 Note)3 \* \* : Represents the cable length (03/3 m, 05/5 m, 10/10 m, 20/20 m). Example. 3 m/MFCEA0030EPE  
 Note)4 Because A6SE series driver (dedicated for position control) does not support the absolute system specification, only incremental system can be used in combination.

Note)5 Use of JL10 type encoder cables and motor cables enable one-touch lock connections. Conventional screwed type N/MS and JL04V type cables can also be used.  
 Note)6 For other possible combinations, refer to P.197.  
 Note)7 Please note that a battery is not supplied together with 23-bit absolute encoder cable (with battery box). Please buy the battery part number "DV0P2990" separately.

Options		
Title	Part No.	Page
Interface Cable	DV0P4360	182
Interface Conversion Cable	DV0P4120	182
	DV0P4121	182
	DV0P4130	182
	DV0P4131	182
	DV0P4132	182
Connector Kit for Power Supply Input Connection	A-frame to D-frame Single row type	DV0PM20032
	D-frame Double row type	DV0PM20033
	E-frame	DV0PM20044
Connector Kit for Motor Connection	A-frame to D-frame	DV0PM20034
	E-frame	DV0PM20046
Connector Kit for Regenerative Resistor	E-frame	DV0PM20045
Connector Kit for Motor/Encoder Connection	without Brake	DV0PM24587 MSMF 1.0 kW to 2.0 kW MDMF 1.0 kW to 2.0 kW MGMF 0.85 kW to 1.8 kW MHMF 1.0 kW, 1.5 kW
		DV0PM24588 MSMF 3.0 kW to 5.0 kW MDMF 3.0 kW to 5.0 kW MGMF 2.9 kW, 4.4 kW MHMF 2.0 kW to 5.0 kW
		DV0PM24589 MSMF 1.0 kW to 2.0 kW MDMF 1.0 kW to 2.0 kW MGMF 0.85 kW to 1.8 kW MHMF 1.0 kW, 1.5 kW
		DV0PM24590 MSMF 3.0 kW to 5.0 kW MDMF 3.0 kW to 5.0 kW MGMF 2.9 kW, 4.4 kW MHMF 2.0 kW to 5.0 kW
		DV0PM24591 MSMF 1.0 kW to 2.0 kW MDMF 1.0 kW to 2.0 kW MGMF 0.85 kW to 1.8 kW MHMF 1.0 kW, 1.5 kW
Connector Kit	RS485, RS232	DV0PM20024
	Safety	DV0PM20025
	Interface	DV0P4350
	External Scale	DV0PM20026
	Encoder	DV0PM20010
Battery for Absolute Encoder	DV0P2990	194
Battery Box for Absolute Encoder (Note)7	DV0P4430	194
Mounting Bracket	D-frame	DV0PM20101
Encoder Cable (with Battery Box) (Note)7	One-touch lock type	MFCEA0 * * 0EPE
	Screwed type	MFCEA0 * * 0ESE
Encoder Cable (without Battery Box)	One-touch lock type	MFCEA0 * * 0EPD
	Screwed type	MFCEA0 * * 0ESD
Motor Cable (without Brake)	One-touch lock type	MFMC0 * * 2EUD
	Screwed type	MFMC0 * * 2ECD
	One-touch lock type	MFMC0 * * 2EUD
	Screwed type	MFMC0 * * 2ECD
	One-touch lock type	MFMC0 * * 3EUT
Motor Cable (with Brake)	Screwed type	MFMC0 * * 3ECT
	One-touch lock type	MFMC0 * * 2FUD
	Screwed type	MFMC0 * * 2FCD
	One-touch lock type	MFMC0 * * 3EUT
	Screwed type	MFMC0 * * 3EUT
External regenerative resistor	30 Ω 100 W	DV0P4284
	20 Ω 130 W	DV0P4285
	DV0P222, DV0P223	
	DV0P224, DV0P225	
	DV0P228, DV0P20047	
Reactor	DV0P4220, DV0P20043	196
Noise Filter	DV0P4220, DV0P20043 DV0P3410	236
Surge Absorber	DV0P4190, DV0P1450	237
Ferite Core	DV0P1460	238

Please contact us for more information.

Specifications

		AC200 V
Motor model <sup>*1</sup>	IP65	<b>MSMF5AZL1□□M</b>
Applicable driver	Model No.	
	Multifunction type	<b>MADLT05SF</b>
	RS485 communication type <sup>*2</sup>	<b>MADLN05SG</b>
	Basic type <sup>*2</sup>	<b>MADLN05SE</b>
	Frame symbol	A-frame
Power supply capacity	(kVA)	0.5
Rated output	(W)	50
Rated torque	(N·m)	0.16
Continuous stall torque	(N·m)	0.16
Momentary Max. peak torque	(N·m)	0.48
Rated current	(A(rms))	1.1
Max. current	(A(o-p))	4.7
Regenerative brake frequency (times/min) <sup>Note)1</sup>	Without option	No limit <sup>Note)2</sup>
	DV0P4281	No limit <sup>Note)2</sup>
Rated rotational speed	(r/min)	3000
Max. rotational speed	(r/min)	6000
Moment of inertia of rotor (×10 <sup>-4</sup> kg·m <sup>2</sup> )	Without brake	0.026
	With brake	0.029
Recommended moment of inertia ratio of the load and the rotor <sup>Note)3</sup>		30 times or less
Rotary encoder specifications <sup>*3</sup>		23-bit Absolute
	Resolution per single turn	8388608

• **Brake specifications** (For details, refer to P.167)  
(This brake will be released when it is energized.)  
(Do not use this for braking the motor in motion.)

Static friction torque (N·m)	0.294 or more
Engaging time (ms)	35 or less
Releasing time (ms) <sup>Note)4</sup>	20 or less
Exciting current (DC) (A)	0.30
Releasing voltage (DC) (V)	1 or more
Exciting voltage (DC) (V)	24±1.2

• **Permissible load** (For details, refer to P.166)

During assembly	Radial load P-direction (N)	147
	Thrust load A-direction (N)	88.0
	Thrust load B-direction (N)	117.6
During operation	Radial load P-direction (N)	68.6
	Thrust load A, B-direction (N)	58.8

• For details of Note)1 to Note)4, refer to P.165.

• Dimensions of Driver, refer to P.47.

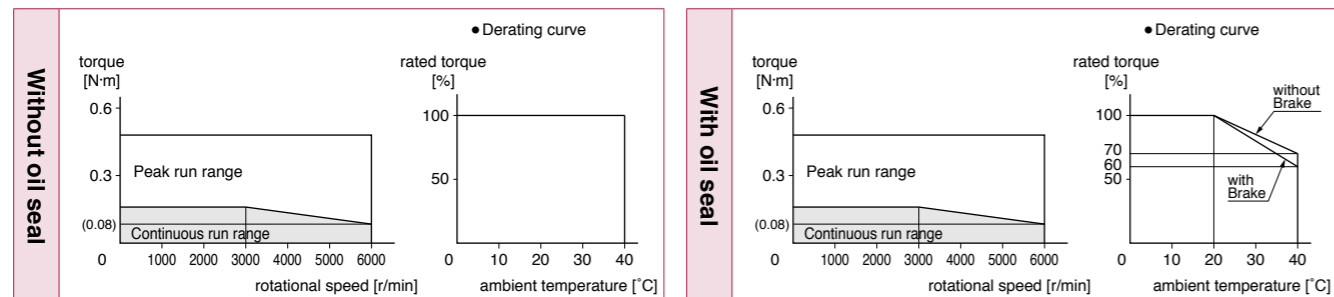
\*1 □□ in the motor part number represents the motor specifications.

\*2 Basic type and RS485 communication type are "Position control type".

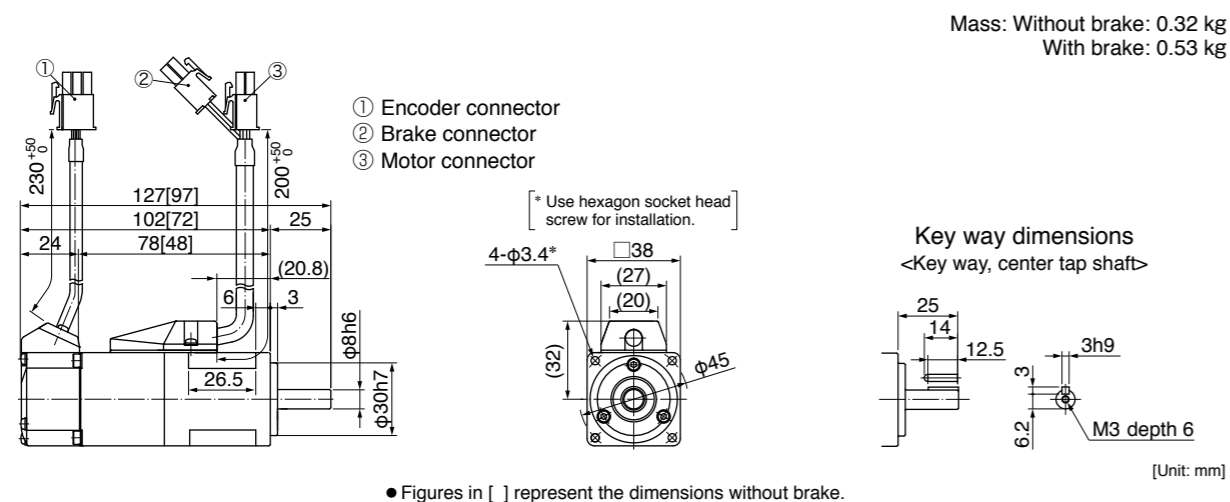
Detail of model designation, refer to P.116.

\*3 When using a rotary encoder as an incremental system (not using multi-turn data), do not connect a battery for absolute encoder.

Torque characteristics (at AC200 V of power voltage <Dotted line represents the torque at 10 % less supply voltage.>)



Dimensions



• Figures in [ ] represent the dimensions without brake.

<Cautions> Reduce the moment of inertia ratio if high speed response operation is required. Dimensions are subject to change without notice. Contact us or a dealer for the latest information. Read the Instruction Manual carefully and understand all precautions and remarks before using the products. Please avoid the motor, or equipment containing the motor to be distributed to Japan, or other regions through Japan.

Please contact us for more information.

Specifications

		AC200 V
Motor model <sup>*1</sup>	IP65	<b>MSMF012L1□□M</b>
Applicable driver	Model No.	
	Multifunction type	<b>MADLT05SF</b>
	RS485 communication type <sup>*2</sup>	<b>MADLN05SG</b>
	Basic type <sup>*2</sup>	<b>MADLN05SE</b>
	Frame symbol	A-frame
Power supply capacity	(kVA)	0.5
Rated output	(W)	100
Rated torque	(N·m)	0.32
Continuous stall torque	(N·m)	0.32
Momentary Max. peak torque	(N·m)	0.95
Rated current	(A(rms))	1.1
Max. current	(A(o-p))	4.7
Regenerative brake frequency (times/min) <sup>Note)1</sup>	Without option	No limit <sup>Note)2</sup>
	DV0P4281	No limit <sup>Note)2</sup>
Rated rotational speed	(r/min)	3000
Max. rotational speed	(r/min)	6000
Moment of inertia of rotor (×10 <sup>-4</sup> kg·m <sup>2</sup> )	Without brake	0.048
	With brake	0.051
Recommended moment of inertia ratio of the load and the rotor <sup>Note)3</sup>		30 times or less
Rotary encoder specifications <sup>*3</sup>		23-bit Absolute
	Resolution per single turn	8388608

• **Brake specifications** (For details, refer to P.167)  
(This brake will be released when it is energized.)  
(Do not use this for braking the motor in motion.)

Static friction torque (N·m)	0.294 or more
Engaging time (ms)	35 or less
Releasing time (ms) <sup>Note)4</sup>	20 or less
Exciting current (DC) (A)	0.30
Releasing voltage (DC) (V)	1 or more
Exciting voltage (DC) (V)	24±1.2

• **Permissible load** (For details, refer to P.166)

During assembly	Radial load P-direction (N)	147
	Thrust load A-direction (N)	88.0
	Thrust load B-direction (N)	117.6
During operation	Radial load P-direction (N)	68.6
	Thrust load A, B-direction (N)	58.8

• For details of Note)1 to Note)4, refer to P.165.

• Dimensions of Driver, refer to P.47.

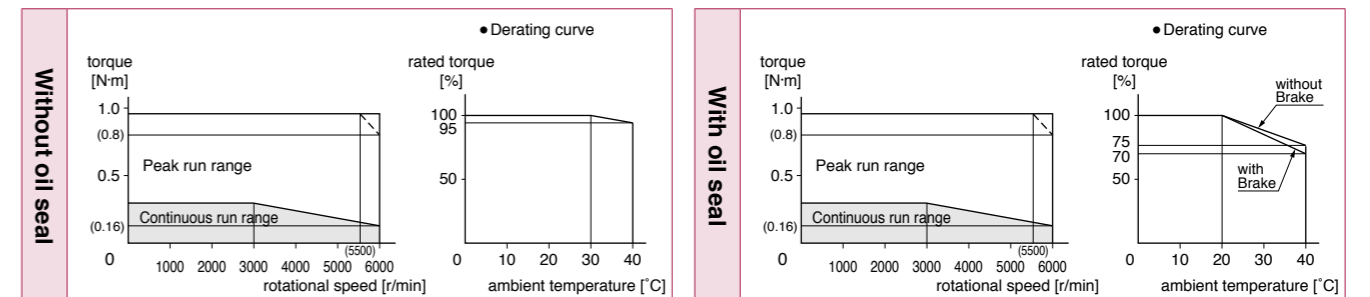
\*1 □□ in the motor part number represents the motor specifications.

\*2 Basic type and RS485 communication type are "Position control type".

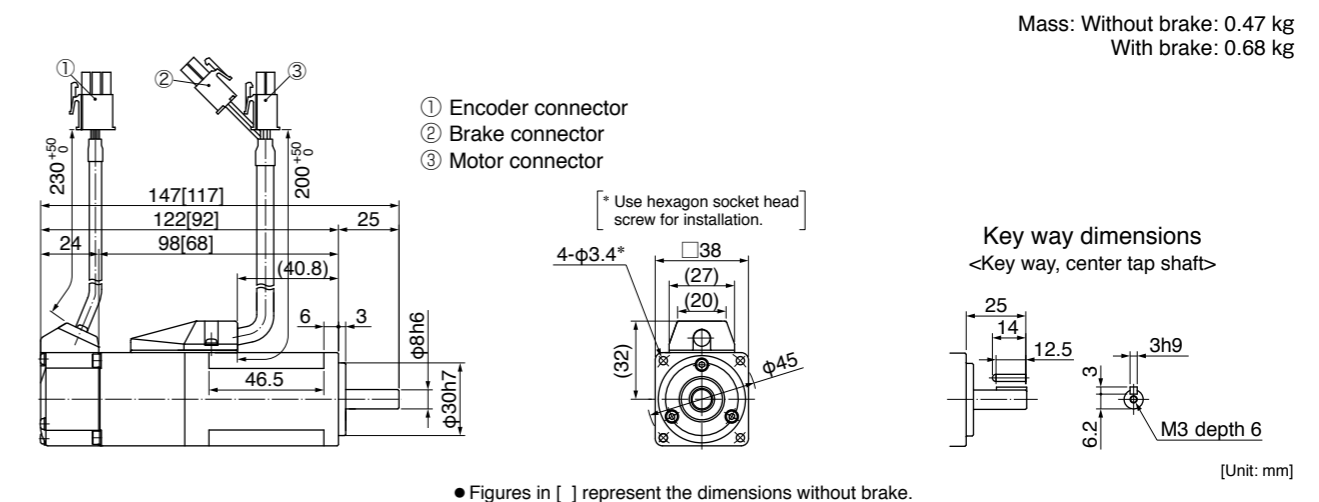
Detail of model designation, refer to P.116.

\*3 When using a rotary encoder as an incremental system (not using multi-turn data), do not connect a battery for absolute encoder.

Torque characteristics (at AC200 V of power voltage <Dotted line represents the torque at 10 % less supply voltage.>)



Dimensions



• Figures in [ ] represent the dimensions without brake.

<Cautions> Reduce the moment of inertia ratio if high speed response operation is required. Dimensions are subject to change without notice. Contact us or a dealer for the latest information. Read the Instruction Manual carefully and understand all precautions and remarks before using the products. Please avoid the motor, or equipment containing the motor to be distributed to Japan, or other regions through Japan.

Please contact us for more information.

Specifications

		AC200 V
Motor model <sup>1)</sup>	IP65	MSMF022L1□□M
Applicable driver	Model No.	Multifunction type MADLT15SF
		RS485 communication type <sup>2)</sup> MADLN15SG
		Basic type <sup>2)</sup> MADLN15SE
	Frame symbol	A-frame
Power supply capacity	(kVA)	0.5
Rated output	(W)	200
Rated torque	(N·m)	0.64
Continuous stall torque	(N·m)	0.64
Momentary Max. peak torque	(N·m)	1.91
Rated current	(A(rms))	1.5
Max. current	(A(o-p))	6.5
Regenerative brake frequency (times/min) <sup>Note)1</sup>	Without option	No limit <sup>Note)2</sup>
	DV0P4283	No limit <sup>Note)2</sup>
Rated rotational speed	(r/min)	3000
Max. rotational speed	(r/min)	6000
Moment of inertia of rotor (×10 <sup>-4</sup> kg·m <sup>2</sup> )	Without brake	0.14
	With brake	0.17
Recommended moment of inertia ratio of the load and the rotor <sup>Note)3</sup>		30 times or less
Rotary encoder specifications <sup>3)</sup>		23-bit Absolute
	Resolution per single turn	8388608

• **Brake specifications** (For details, refer to P.167)  
(This brake will be released when it is energized.)  
(Do not use this for braking the motor in motion.)

Static friction torque (N·m)	1.27 or more
Engaging time (ms)	50 or less
Releasing time (ms) <sup>Note)4</sup>	15 or less
Exciting current (DC) (A)	0.36
Releasing voltage (DC) (V)	1 or more
Exciting voltage (DC) (V)	24±1.2

• **Permissible load** (For details, refer to P.166)

During assembly	Radial load P-direction (N)	392
	Thrust load A-direction (N)	147
	Thrust load B-direction (N)	196
During operation	Radial load P-direction (N)	245
	Thrust load A, B-direction (N)	98.0

• For details of Note)1 to Note)4, refer to P.165.  
• Dimensions of Driver, refer to P.47.

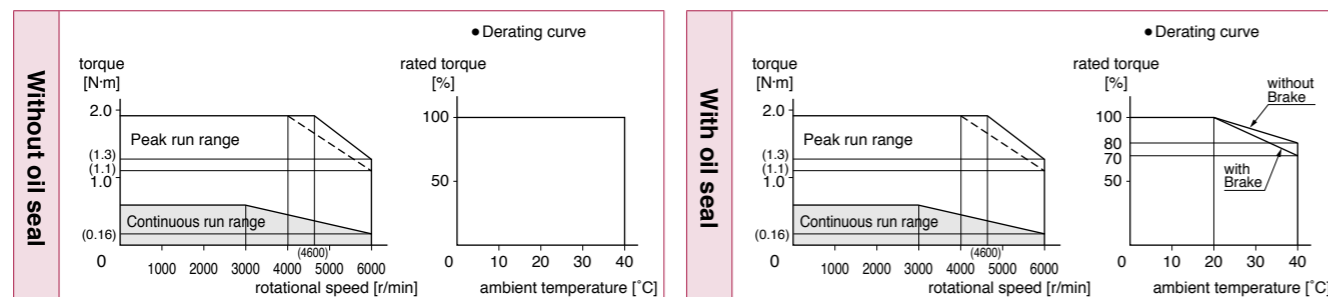
\*1 □□ in the motor part number represents the motor specifications.

\*2 Basic type and RS485 communication type are "Position control type".

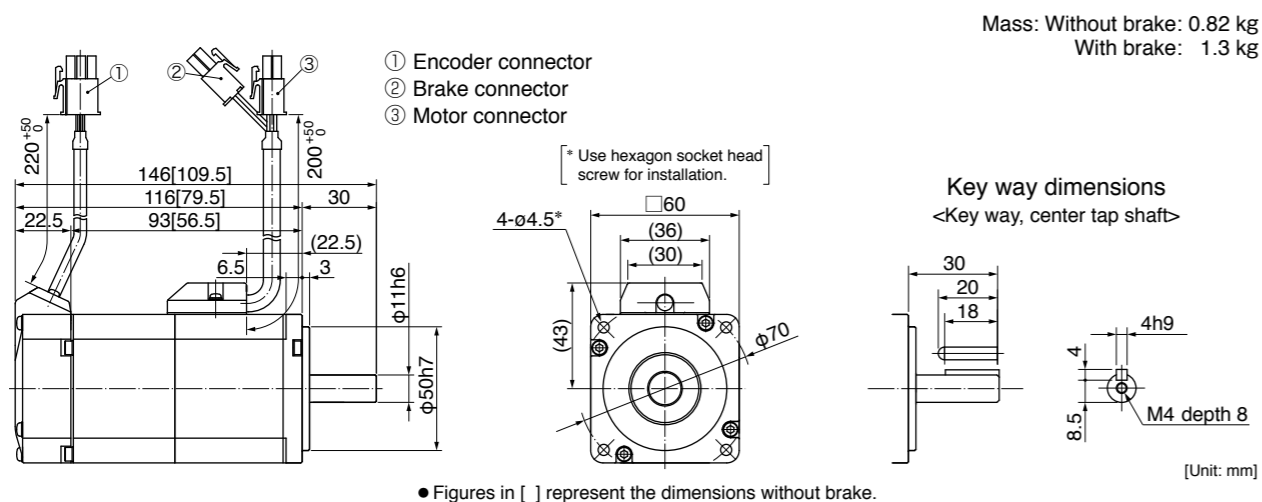
Detail of model designation, refer to P.116.

\*3 When using a rotary encoder as an incremental system (not using multi-turn data), do not connect a battery for absolute encoder.

Torque characteristics (at AC200 V of power voltage <Dotted line represents the torque at 10% less supply voltage.>)



Dimensions



• Figures in [ ] represent the dimensions without brake.

<Cautions> Reduce the moment of inertia ratio if high speed response operation is required. Dimensions are subject to change without notice. Contact us or a dealer for the latest information. Read the Instruction Manual carefully and understand all precautions and remarks before using the products. Please avoid the motor, or equipment containing the motor to be distributed to Japan, or other regions through Japan.

Please contact us for more information.

Specifications

		AC200 V
Motor model <sup>1)</sup>	IP65	MSMF042L1□□M
Applicable driver	Model No.	Multifunction type MBDLT25SF
		RS485 communication type <sup>2)</sup> MBDLN25SG
		Basic type <sup>2)</sup> MBDLN25SE
	Frame symbol	B-frame
Power supply capacity	(kVA)	0.9
Rated output	(W)	400
Rated torque	(N·m)	1.27
Continuous stall torque	(N·m)	1.27
Momentary Max. peak torque	(N·m)	3.82
Rated current	(A(rms))	2.4
Max. current	(A(o-p))	10.2
Regenerative brake frequency (times/min) <sup>Note)1</sup>	Without option	No limit <sup>Note)2</sup>
	DV0P4283	No limit <sup>Note)2</sup>
Rated rotational speed	(r/min)	3000
Max. rotational speed	(r/min)	6000
Moment of inertia of rotor (×10 <sup>-4</sup> kg·m <sup>2</sup> )	Without brake	0.27
	With brake	0.30
Recommended moment of inertia ratio of the load and the rotor <sup>Note)3</sup>		30 times or less
Rotary encoder specifications <sup>3)</sup>		23-bit Absolute
	Resolution per single turn	8388608

• **Brake specifications** (For details, refer to P.167)  
(This brake will be released when it is energized.)  
(Do not use this for braking the motor in motion.)

Static friction torque (N·m)	1.27 or more
Engaging time (ms)	50 or less
Releasing time (ms) <sup>Note)4</sup>	15 or less
Exciting current (DC) (A)	0.36
Releasing voltage (DC) (V)	1 or more
Exciting voltage (DC) (V)	24±1.2

• **Permissible load** (For details, refer to P.166)

During assembly	Radial load P-direction (N)	392
	Thrust load A-direction (N)	147
	Thrust load B-direction (N)	196
During operation	Radial load P-direction (N)	245
	Thrust load A, B-direction (N)	98.0

• For details of Note)1 to Note)4, refer to P.165.  
• Dimensions of Driver, refer to P.47.

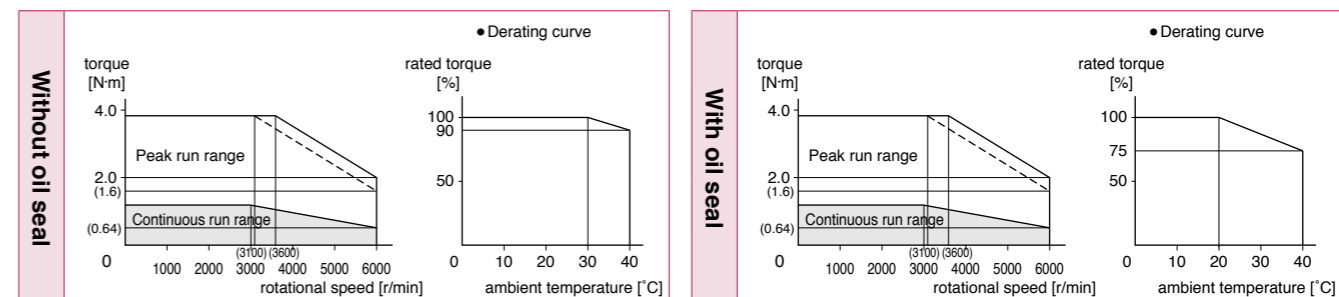
\*1 □□ in the motor part number represents the motor specifications.

\*2 Basic type and RS485 communication type are "Position control type".

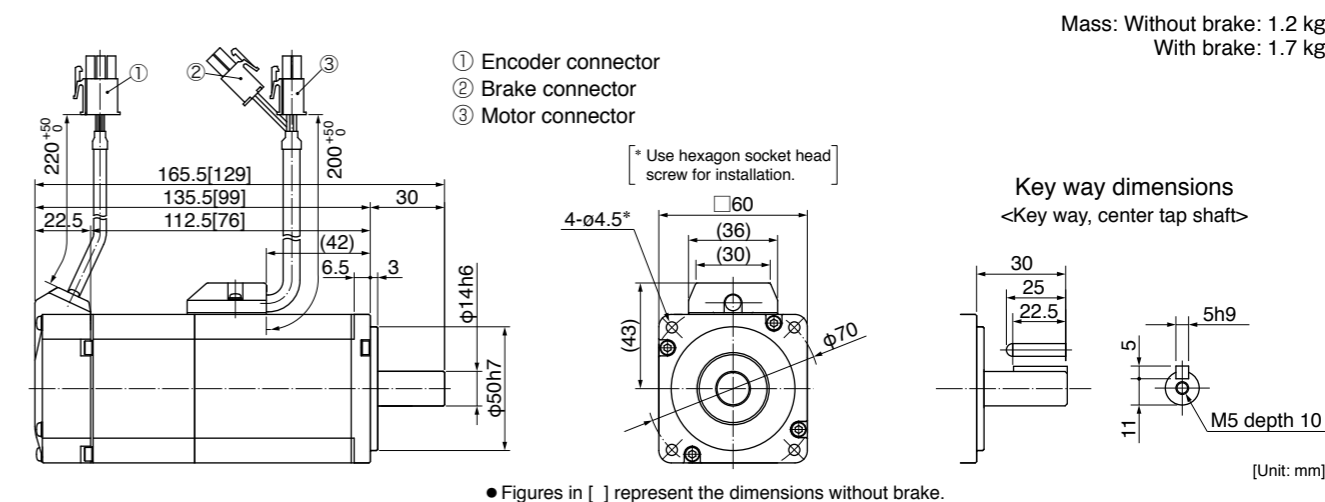
Detail of model designation, refer to P.116.

\*3 When using a rotary encoder as an incremental system (not using multi-turn data), do not connect a battery for absolute encoder.

Torque characteristics (at AC200 V of power voltage <Dotted line represents the torque at 10% less supply voltage.>)



Dimensions



• Figures in [ ] represent the dimensions without brake.

<Cautions> Reduce the moment of inertia ratio if high speed response operation is required. Dimensions are subject to change without notice. Contact us or a dealer for the latest information. Read the Instruction Manual carefully and understand all precautions and remarks before using the products. Please avoid the motor, or equipment containing the motor to be distributed to Japan, or other regions through Japan.

Please contact us for more information.

Specifications

		AC200 V
Motor model <sup>1)</sup>	IP65	MSMF082L1□□M
Applicable driver	Model No.	Multifunction type MCDLT35SF
		RS485 communication type <sup>2)</sup> MCDLN35SG
		Basic type <sup>2)</sup> MCDLN35SE
	Frame symbol	C-frame
Power supply capacity	(kVA)	1.3
Rated output	(W)	750
Rated torque	(N·m)	2.39
Continuous stall torque	(N·m)	2.39
Momentary Max. peak torque	(N·m)	7.16
Rated current	(A(rms))	4.1
Max. current	(A(o-p))	17.4
Regenerative brake frequency (times/min) <sup>Note)1</sup>	Without option	No limit <sup>Note)2</sup>
	DV0P4283	No limit <sup>Note)2</sup>
Rated rotational speed	(r/min)	3000
Max. rotational speed	(r/min)	6000
Moment of inertia of rotor (×10 <sup>-4</sup> kg·m <sup>2</sup> )	Without brake	0.96
	With brake	1.06
Recommended moment of inertia ratio of the load and the rotor <sup>Note)3</sup>		20 times or less
Rotary encoder specifications <sup>3)</sup>		23-bit Absolute
	Resolution per single turn	8388608

• **Brake specifications** (For details, refer to P.167)  
(This brake will be released when it is energized.)  
(Do not use this for braking the motor in motion.)

Static friction torque (N·m)	2.45 or more
Engaging time (ms)	70 or less
Releasing time (ms) <sup>Note)4</sup>	20 or less
Exciting current (DC) (A)	0.42
Releasing voltage (DC) (V)	1 or more
Exciting voltage (DC) (V)	24±1.2

• **Permissible load** (For details, refer to P.166)

During assembly	Radial load P-direction (N)	686
	Thrust load A-direction (N)	294
	Thrust load B-direction (N)	392
During operation	Radial load P-direction (N)	392
	Thrust load A, B-direction (N)	147

• For details of Note)1 to Note)4, refer to P.165.  
• Dimensions of Driver, refer to P.48.

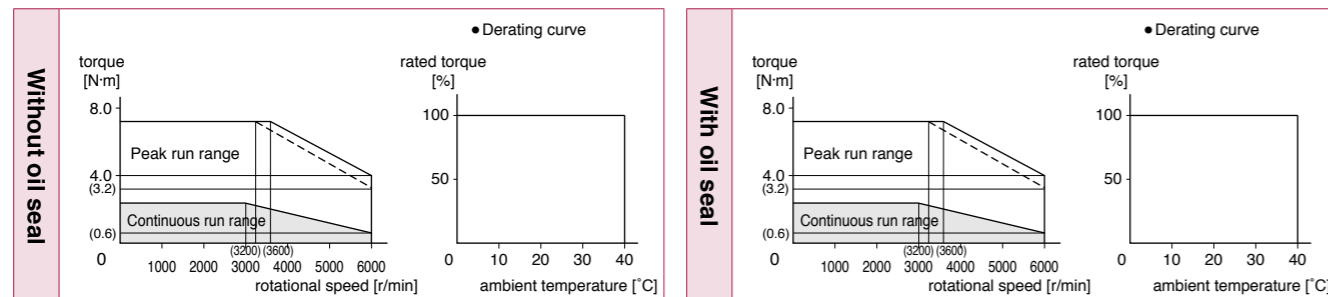
\*1 □□ in the motor part number represents the motor specifications.

\*2 Basic type and RS485 communication type are "Position control type".

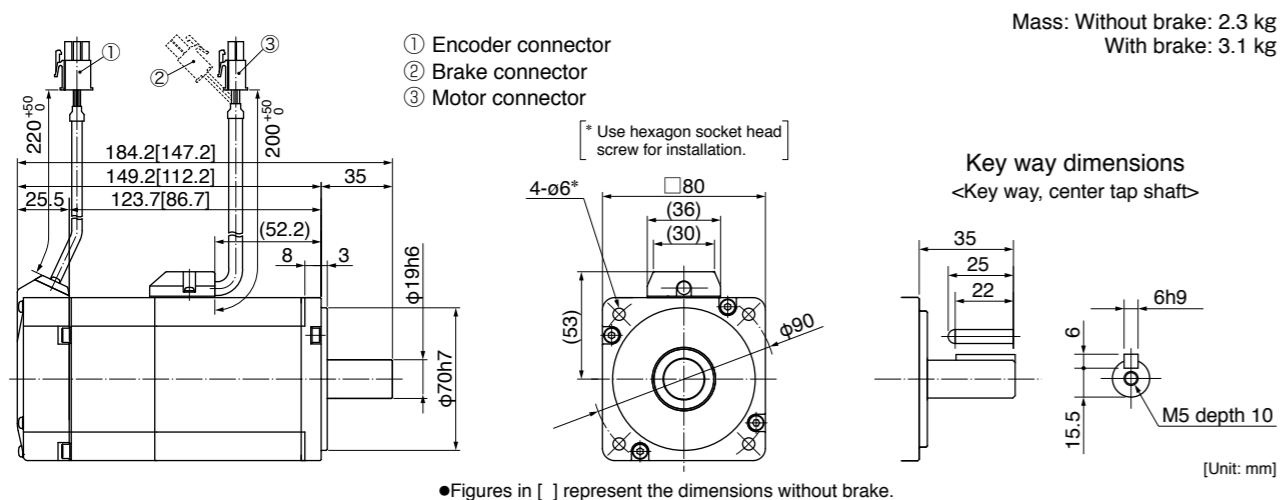
Detail of model designation, refer to P.116.

\*3 When using a rotary encoder as an incremental system (not using multi-turn data), do not connect a battery for absolute encoder.

Torque characteristics (at AC200 V of power voltage <Dotted line represents the torque at 10% less supply voltage.>)



Dimensions



• Figures in [ ] represent the dimensions without brake.

<Cautions> Reduce the moment of inertia ratio if high speed response operation is required. Dimensions are subject to change without notice. Contact us or a dealer for the latest information. Read the Instruction Manual carefully and understand all precautions and remarks before using the products. Please avoid the motor, or equipment containing the motor to be distributed to Japan, or other regions through Japan.

Please contact us for more information.

Specifications

		AC200 V
Motor model <sup>1)</sup>	IP65	MSMF092L1□□M
Applicable driver	Model No.	Multifunction type MDDL45SF
		RS485 communication type <sup>2)</sup> MDDL45SG
		Basic type <sup>2)</sup> MDDL45SE
	Frame symbol	D-frame
Power supply capacity	(kVA)	1.8
Rated output	(W)	1000
Rated torque	(N·m)	3.18
Continuous stall torque	(N·m)	3.18
Momentary Max. peak torque	(N·m)	9.55
Rated current	(A(rms))	5.7
Max. current	(A(o-p))	24.2
Regenerative brake frequency (times/min) <sup>Note)1</sup>	Without option	No limit <sup>Note)2</sup>
	DV0P4284	No limit <sup>Note)2</sup>
Rated rotational speed	(r/min)	3000
Max. rotational speed	(r/min)	6000
Moment of inertia of rotor (×10 <sup>-4</sup> kg·m <sup>2</sup> )	Without brake	1.26
	With brake	1.36
Recommended moment of inertia ratio of the load and the rotor <sup>Note)3</sup>		15 times or less
Rotary encoder specifications <sup>3)</sup>		23-bit Absolute
	Resolution per single turn	8388608

• **Brake specifications** (For details, refer to P.167)  
(This brake will be released when it is energized.)  
(Do not use this for braking the motor in motion.)

Static friction torque (N·m)	3.80 or more
Engaging time (ms)	70 or less
Releasing time (ms) <sup>Note)4</sup>	20 or less
Exciting current (DC) (A)	0.42
Releasing voltage (DC) (V)	1 or more
Exciting voltage (DC) (V)	24±2.4

• **Permissible load** (For details, refer to P.166)

During assembly	Radial load P-direction (N)	686
	Thrust load A-direction (N)	294
	Thrust load B-direction (N)	392
During operation	Radial load P-direction (N)	392
	Thrust load A, B-direction (N)	147

• For details of Note)1 to Note)4, refer to P.165.  
• Dimensions of Driver, refer to P.48.

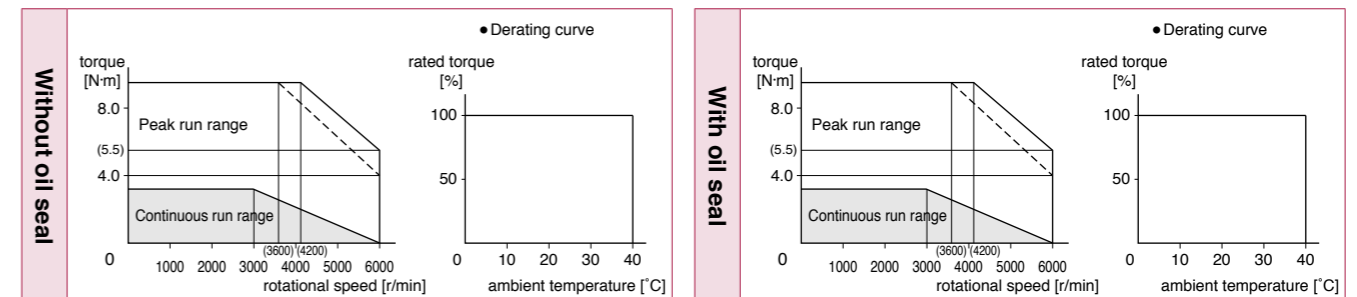
\*1 □□ in the motor part number represents the motor specifications.

\*2 Basic type and RS485 communication type are "Position control type".

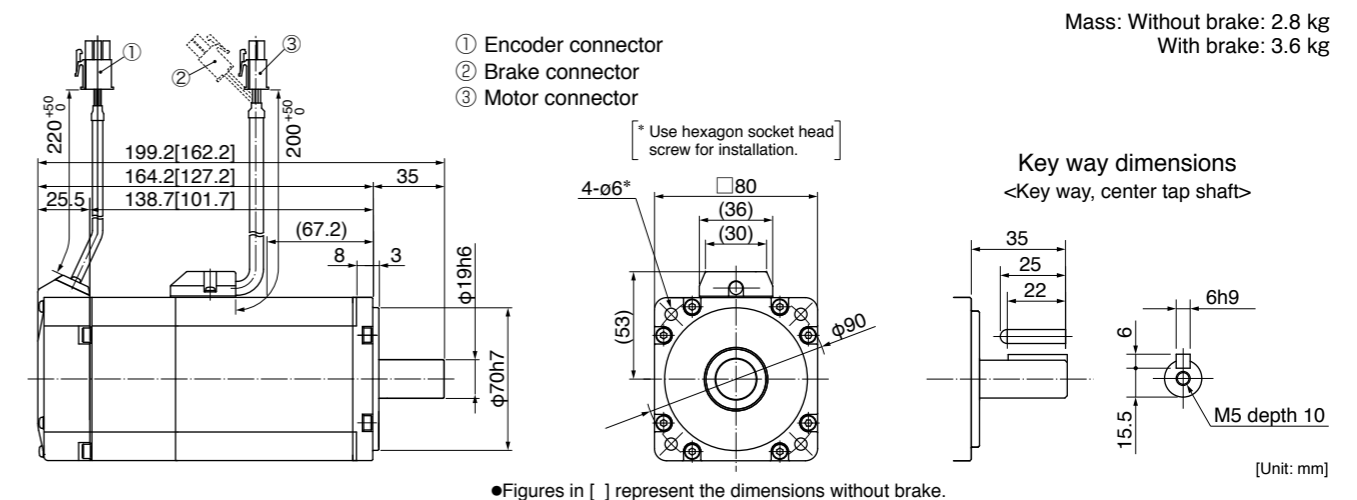
Detail of model designation, refer to P.116.

\*3 When using a rotary encoder as an incremental system (not using multi-turn data), do not connect a battery for absolute encoder.

Torque characteristics (at AC200 V of power voltage <Dotted line represents the torque at 10% less supply voltage.>)



Dimensions



• Figures in [ ] represent the dimensions without brake.

<Cautions> Reduce the moment of inertia ratio if high speed response operation is required. Dimensions are subject to change without notice. Contact us or a dealer for the latest information. Read the Instruction Manual carefully and understand all precautions and remarks before using the products. Please avoid the motor, or equipment containing the motor to be distributed to Japan, or other regions through Japan.



Please contact us for more information.

Specifications

		AC200 V
Motor model <sup>1)</sup>	IP67	MSMF102L1□□M
Applicable driver	Model No.	Multifunction type MDDL55SF
		RS485 communication type <sup>2)</sup> MDDL55SG
		Basic type <sup>2)</sup> MDDL55SE
	Frame symbol	D-frame
Power supply capacity	(kVA)	2.3
Rated output	(W)	1000
Rated torque	(N·m)	3.18
Continuous stall torque	(N·m)	3.82
Momentary Max. peak torque	(N·m)	9.55
Rated current	(A(rms))	6.6
Max. current	(A(o-p))	28
Regenerative brake frequency (times/min) <sup>Note)1</sup>	Without option	No limit <sup>Note)2</sup>
	DV0P4284	No limit <sup>Note)2</sup>
Rated rotational speed	(r/min)	3000
Max. rotational speed	(r/min)	5000
Moment of inertia of rotor (×10 <sup>-4</sup> kg·m <sup>2</sup> )	Without brake	2.15
	With brake	2.47
Recommended moment of inertia ratio of the load and the rotor <sup>Note)3</sup>		15 times or less
Rotary encoder specifications <sup>3)</sup>		23-bit Absolute
	Resolution per single turn	8388608

• **Brake specifications** (For details, refer to P.167)  
(This brake will be released when it is energized.)  
(Do not use this for braking the motor in motion.)

Static friction torque (N·m)	8.0 or more
Engaging time (ms)	50 or less
Releasing time (ms) <sup>Note)4</sup>	15 or less
Exciting current (DC) (A)	0.81±10 %
Releasing voltage (DC) (V)	2 or more
Exciting voltage (DC) (V)	24±2.4

• **Permissible load** (For details, refer to P.166)

During assembly	Radial load P-direction (N)	980
	Thrust load A-direction (N)	588
	Thrust load B-direction (N)	686
During operation	Radial load P-direction (N)	490
	Thrust load A, B-direction (N)	196

• For details of Note)1 to Note)4, refer to P.165.  
• Dimensions of Driver, refer to P.48.

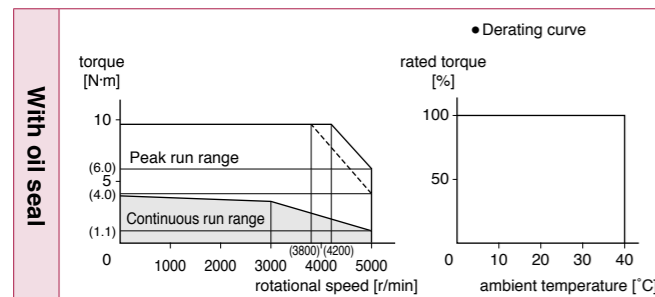
\*1 □□ in the motor part number represents the motor specifications.

\*2 Basic type and RS485 communication type are "Position control type".

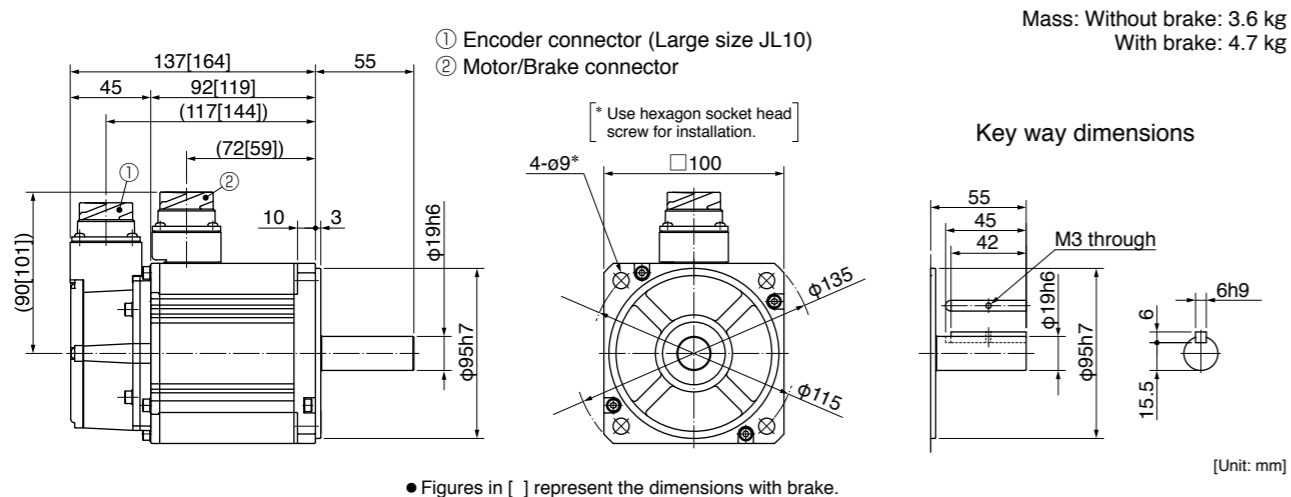
Detail of model designation, refer to P.116.

\*3 When using a rotary encoder as an incremental system (not using multi-turn data), do not connect a battery for absolute encoder.

Torque characteristics (at AC200 V of power voltage <Dotted line represents the torque at 10 % less supply voltage.>)



Dimensions



• Figures in [ ] represent the dimensions with brake.

<Cautions> Reduce the moment of inertia ratio if high speed response operation is required. Dimensions are subject to change without notice. Contact us or a dealer for the latest information. Read the Instruction Manual carefully and understand all precautions and remarks before using the products. Please avoid the motor, or equipment containing the motor to be distributed to Japan, or other regions through Japan.

Please contact us for more information.

Specifications

		AC200 V
Motor model <sup>1)</sup>	IP67	MSMF152L1□□M
Applicable driver	Model No.	Multifunction type MDDL55SF
		RS485 communication type <sup>2)</sup> MDDL55SG
		Basic type <sup>2)</sup> MDDL55SE
	Frame symbol	D-frame
Power supply capacity	(kVA)	2.3
Rated output	(W)	1500
Rated torque	(N·m)	4.77
Continuous stall torque	(N·m)	5.72
Momentary Max. peak torque	(N·m)	14.3
Rated current	(A(rms))	8.2
Max. current	(A(o-p))	35
Regenerative brake frequency (times/min) <sup>Note)1</sup>	Without option	No limit <sup>Note)2</sup>
	DV0P4284	No limit <sup>Note)2</sup>
Rated rotational speed	(r/min)	3000
Max. rotational speed	(r/min)	5000
Moment of inertia of rotor (×10 <sup>-4</sup> kg·m <sup>2</sup> )	Without brake	3.10
	With brake	3.45
Recommended moment of inertia ratio of the load and the rotor <sup>Note)3</sup>		15 times or less
Rotary encoder specifications <sup>3)</sup>		23-bit Absolute
	Resolution per single turn	8388608

• **Brake specifications** (For details, refer to P.167)  
(This brake will be released when it is energized.)  
(Do not use this for braking the motor in motion.)

Static friction torque (N·m)	8.0 or more
Engaging time (ms)	50 or less
Releasing time (ms) <sup>Note)4</sup>	15 or less
Exciting current (DC) (A)	0.81±10 %
Releasing voltage (DC) (V)	2 or more
Exciting voltage (DC) (V)	24±2.4

• **Permissible load** (For details, refer to P.166)

During assembly	Radial load P-direction (N)	980
	Thrust load A-direction (N)	588
	Thrust load B-direction (N)	686
During operation	Radial load P-direction (N)	490
	Thrust load A, B-direction (N)	196

• For details of Note)1 to Note)4, refer to P.165.  
• Dimensions of Driver, refer to P.48.

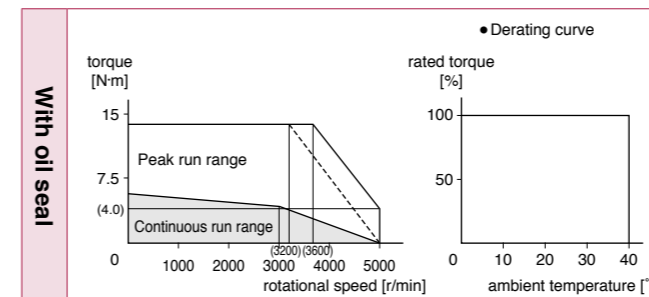
\*1 □□ in the motor part number represents the motor specifications.

\*2 Basic type and RS485 communication type are "Position control type".

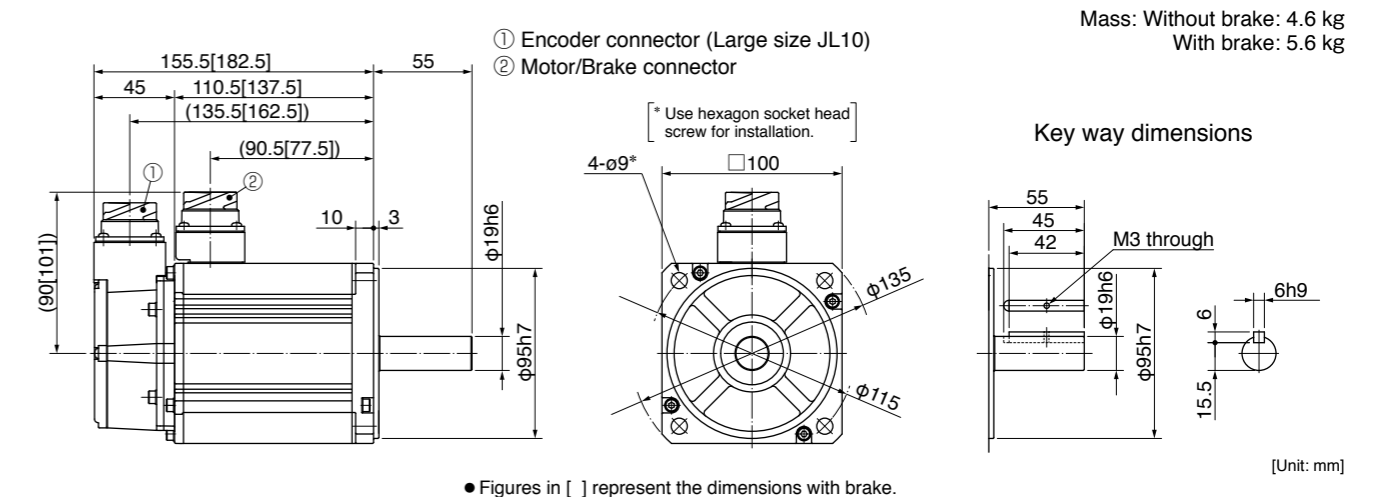
Detail of model designation, refer to P.116.

\*3 When using a rotary encoder as an incremental system (not using multi-turn data), do not connect a battery for absolute encoder.

Torque characteristics (at AC200 V of power voltage <Dotted line represents the torque at 10 % less supply voltage.>)



Dimensions



• Figures in [ ] represent the dimensions with brake.

<Cautions> Reduce the moment of inertia ratio if high speed response operation is required. Dimensions are subject to change without notice. Contact us or a dealer for the latest information. Read the Instruction Manual carefully and understand all precautions and remarks before using the products. Please avoid the motor, or equipment containing the motor to be distributed to Japan, or other regions through Japan.

\* Please contact us for more information.

Specifications

		AC200 V
Motor model <sup>1)</sup>	IP67	MSMF202L1□□M
Applicable driver	Model No.	Multifunction type MEDLT83SF
		RS485 communication type <sup>2)</sup> MEDLN83SG
		Basic type <sup>2)</sup> MEDLN83SE
	Frame symbol	E-frame
Power supply capacity	(kVA)	3.8
Rated output	(W)	2000
Rated torque	(N·m)	6.37
Continuous stall torque	(N·m)	7.64
Momentary Max. peak torque	(N·m)	19.1
Rated current	(A(rms))	11.3
Max. current	(A(o-p))	48
Regenerative brake frequency (times/min) <sup>Note)1</sup>	Without option	No limit <sup>Note)2</sup>
	DV0P4285	No limit <sup>Note)2</sup>
Rated rotational speed	(r/min)	3000
Max. rotational speed	(r/min)	5000
Moment of inertia of rotor (×10 <sup>-4</sup> kg·m <sup>2</sup> )	Without brake	4.06
	With brake	4.41
Recommended moment of inertia ratio of the load and the rotor <sup>Note)3</sup>		15 times or less
Rotary encoder specifications <sup>3)</sup>		23-bit Absolute
	Resolution per single turn	8388608

• Brake specifications (For details, refer to P.167)

(This brake will be released when it is energized.)  
(Do not use this for braking the motor in motion.)

Static friction torque (N·m)	8.0 or more
Engaging time (ms)	50 or less
Releasing time (ms) <sup>Note)4</sup>	15 or less
Exciting current (DC) (A)	0.81±10 %
Releasing voltage (DC) (V)	2 or more
Exciting voltage (DC) (V)	24±2.4

• Permissible load (For details, refer to P.166)

During assembly	Radial load P-direction (N)	980
	Thrust load A-direction (N)	588
	Thrust load B-direction (N)	686
During operation	Radial load P-direction (N)	490
	Thrust load A, B-direction (N)	196

• For details of Note)1 to Note)4, refer to P.165.

• Dimensions of Driver, refer to P.49.

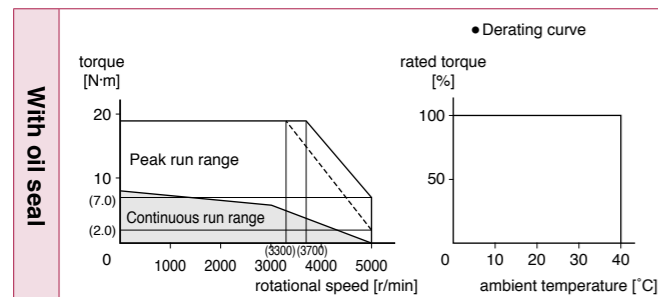
\*1 □□ in the motor part number represents the motor specifications.

\*2 Basic type and RS485 communication type are "Position control type".

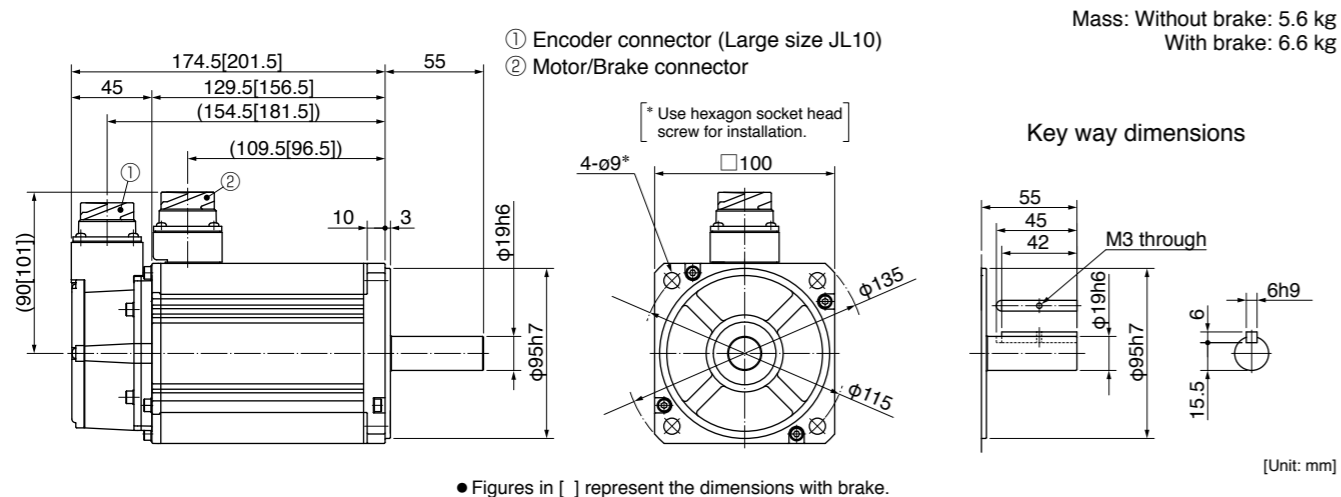
Detail of model designation, refer to P.116.

\*3 When using a rotary encoder as an incremental system (not using multi-turn data), do not connect a battery for absolute encoder.

Torque characteristics (at AC200 V of power voltage <Dotted line represents the torque at 10 % less supply voltage.>)



Dimensions



• Figures in [ ] represent the dimensions with brake.

<Cautions> Reduce the moment of inertia ratio if high speed response operation is required. Dimensions are subject to change without notice. Contact us or a dealer for the latest information. Read the Instruction Manual carefully and understand all precautions and remarks before using the products. Please avoid the motor, or equipment containing the motor to be distributed to Japan, or other regions through Japan.

\* Please contact us for more information.

Specifications

		AC200 V
Motor model <sup>1)</sup>	IP67	MSMF302L1□□M
Applicable driver	Model No.	Multifunction type MFDLTA3SF
		RS485 communication type <sup>2)</sup> MFDLNA3SG
		Basic type <sup>2)</sup> MFDLNA3SE
	Frame symbol	F-frame
Power supply capacity	(kVA)	4.5
Rated output	(W)	3000
Rated torque	(N·m)	9.55
Continuous stall torque	(N·m)	11.0
Momentary Max. peak torque	(N·m)	28.6
Rated current	(A(rms))	18.1
Max. current	(A(o-p))	77
Regenerative brake frequency (times/min) <sup>Note)1</sup>	Without option	No limit <sup>Note)2</sup>
	DV0P4285×2	No limit <sup>Note)2</sup>
Rated rotational speed	(r/min)	3000
Max. rotational speed	(r/min)	5000
Moment of inertia of rotor (×10 <sup>-4</sup> kg·m <sup>2</sup> )	Without brake	7.04
	With brake	7.38
Recommended moment of inertia ratio of the load and the rotor <sup>Note)3</sup>		15 times or less
Rotary encoder specifications <sup>3)</sup>		23-bit Absolute
	Resolution per single turn	8388608

• Brake specifications (For details, refer to P.167)

(This brake will be released when it is energized.)  
(Do not use this for braking the motor in motion.)

Static friction torque (N·m)	12.0 or more
Engaging time (ms)	80 or less
Releasing time (ms) <sup>Note)4</sup>	15 or less
Exciting current (DC) (A)	0.81±10 %
Releasing voltage (DC) (V)	2 or more
Exciting voltage (DC) (V)	24±2.4

• Permissible load (For details, refer to P.166)

During assembly	Radial load P-direction (N)	980
	Thrust load A-direction (N)	588
	Thrust load B-direction (N)	686
During operation	Radial load P-direction (N)	490
	Thrust load A, B-direction (N)	196

• For details of Note)1 to Note)4, refer to P.165.

• Dimensions of Driver, refer to P.49.

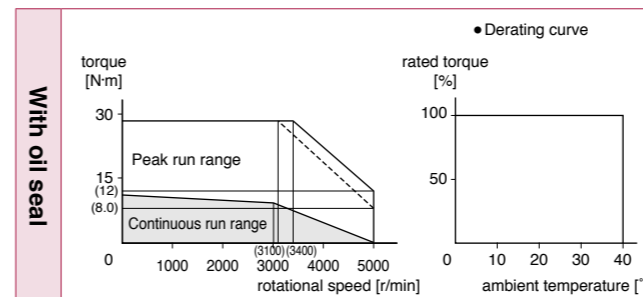
\*1 □□ in the motor part number represents the motor specifications.

\*2 Basic type and RS485 communication type are "Position control type".

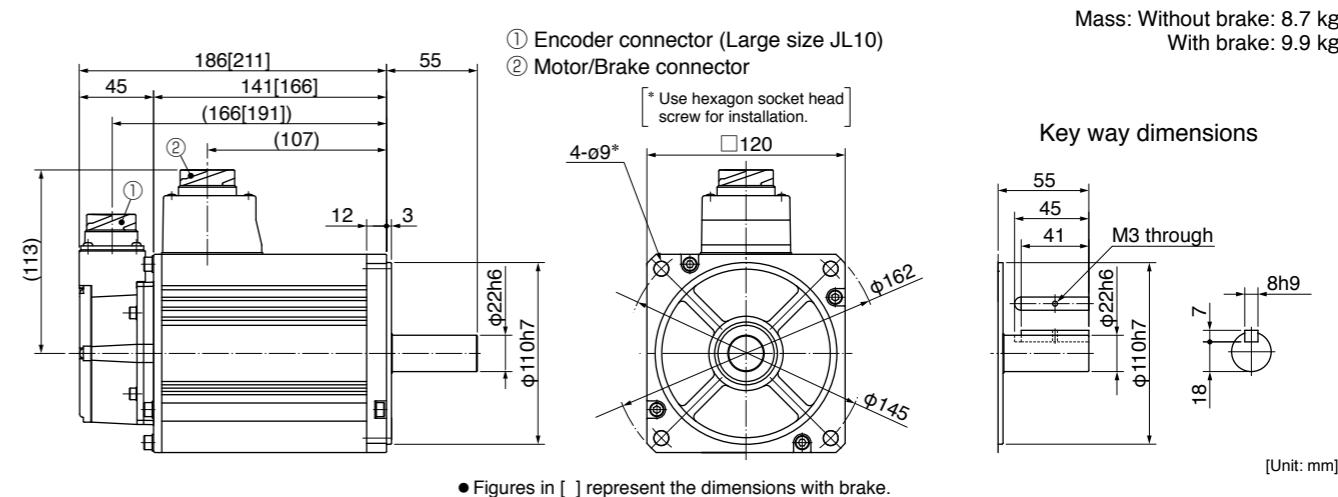
Detail of model designation, refer to P.116.

\*3 When using a rotary encoder as an incremental system (not using multi-turn data), do not connect a battery for absolute encoder.

Torque characteristics (at AC200 V of power voltage <Dotted line represents the torque at 10 % less supply voltage.>)



Dimensions



• Figures in [ ] represent the dimensions with brake.

<Cautions> Reduce the moment of inertia ratio if high speed response operation is required. Dimensions are subject to change without notice. Contact us or a dealer for the latest information. Read the Instruction Manual carefully and understand all precautions and remarks before using the products. Please avoid the motor, or equipment containing the motor to be distributed to Japan, or other regions through Japan.

\* Please contact us for more information.

Specifications

		AC200 V
Motor model <sup>1)</sup>	IP67	MSMF402L1□□M
Applicable driver	Model No.	
	Multifunction type	MFDLTB3SF
	RS485 communication type <sup>2)</sup>	MFDLNB3SG
	Basic type <sup>2)</sup>	MFDLNB3SE
	Frame symbol	F-frame
Power supply capacity	(kVA)	7.5
Rated output	(W)	4000
Rated torque	(N·m)	12.7
Continuous stall torque	(N·m)	15.2
Momentary Max. peak torque	(N·m)	38.2
Rated current	(A(rms))	19.6
Max. current	(A(o-p))	83
Regenerative brake frequency (times/min) <sup>Note)1</sup>	Without option	No limit <sup>Note)2</sup>
	DV0P4285×2	No limit <sup>Note)2</sup>
Rated rotational speed	(r/min)	3000
Max. rotational speed	(r/min)	4500
Moment of inertia of rotor (×10 <sup>-4</sup> kg·m <sup>2</sup> )	Without brake	14.4
	With brake	15.6
Recommended moment of inertia ratio of the load and the rotor <sup>Note)3</sup>		15 times or less
Rotary encoder specifications <sup>3)</sup>		23-bit Absolute
	Resolution per single turn	8388608

• Brake specifications (For details, refer to P.167)

(This brake will be released when it is energized.)  
(Do not use this for braking the motor in motion.)

Static friction torque (N·m)	16.2 or more
Engaging time (ms)	110 or less
Releasing time (ms) <sup>Note)4</sup>	50 or less
Exciting current (DC) (A)	0.90±10 %
Releasing voltage (DC) (V)	2 or more
Exciting voltage (DC) (V)	24±2.4

• Permissible load (For details, refer to P.166)

During assembly	Radial load P-direction (N)	980
	Thrust load A-direction (N)	588
	Thrust load B-direction (N)	686
During operation	Radial load P-direction (N)	784
	Thrust load A, B-direction (N)	343

• For details of Note)1 to Note)4, refer to P.165.

• Dimensions of Driver, refer to P.49.

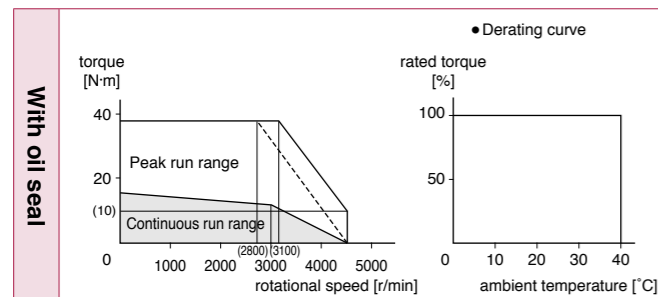
\*1 □□ in the motor part number represents the motor specifications.

\*2 Basic type and RS485 communication type are "Position control type".

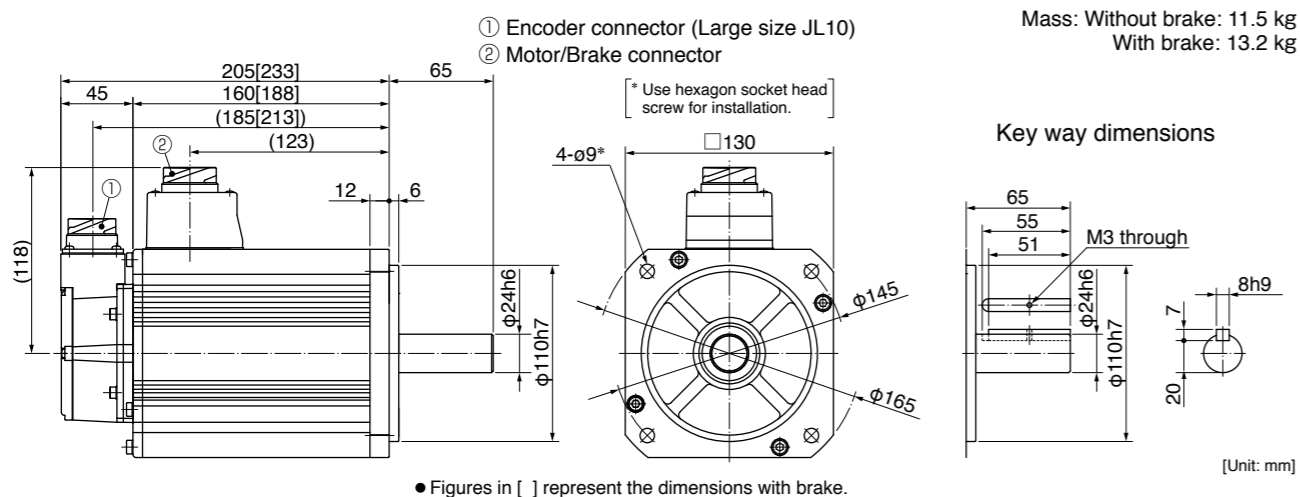
Detail of model designation, refer to P.116.

\*3 When using a rotary encoder as an incremental system (not using multi-turn data), do not connect a battery for absolute encoder.

Torque characteristics (at AC200 V of power voltage <Dotted line represents the torque at 10 % less supply voltage.>)



Dimensions



• Figures in [ ] represent the dimensions with brake.

<Cautions> Reduce the moment of inertia ratio if high speed response operation is required. Dimensions are subject to change without notice. Contact us or a dealer for the latest information. Read the Instruction Manual carefully and understand all precautions and remarks before using the products. Please avoid the motor, or equipment containing the motor to be distributed to Japan, or other regions through Japan.

\* Please contact us for more information.

Specifications

		AC200 V
Motor model <sup>1)</sup>	IP67	MSMF502L1□□M
Applicable driver	Model No.	
	Multifunction type	MFDLTB3SF
	RS485 communication type <sup>2)</sup>	MFDLNB3SG
	Basic type <sup>2)</sup>	MFDLNB3SE
	Frame symbol	F-frame
Power supply capacity	(kVA)	7.5
Rated output	(W)	5000
Rated torque	(N·m)	15.9
Continuous stall torque	(N·m)	19.1
Momentary Max. peak torque	(N·m)	47.7
Rated current	(A(rms))	24.0
Max. current	(A(o-p))	102
Regenerative brake frequency (times/min) <sup>Note)1</sup>	Without option	No limit <sup>Note)2</sup>
	DV0P4285×2	No limit <sup>Note)2</sup>
Rated rotational speed	(r/min)	3000
Max. rotational speed	(r/min)	4500
Moment of inertia of rotor (×10 <sup>-4</sup> kg·m <sup>2</sup> )	Without brake	19.0
	With brake	20.2
Recommended moment of inertia ratio of the load and the rotor <sup>Note)3</sup>		15 times or less
Rotary encoder specifications <sup>3)</sup>		23-bit Absolute
	Resolution per single turn	8388608

• Brake specifications (For details, refer to P.167)

(This brake will be released when it is energized.)  
(Do not use this for braking the motor in motion.)

Static friction torque (N·m)	22.0 or more
Engaging time (ms)	110 or less
Releasing time (ms) <sup>Note)4</sup>	50 or less
Exciting current (DC) (A)	0.90±10 %
Releasing voltage (DC) (V)	2 or more
Exciting voltage (DC) (V)	24±2.4

• Permissible load (For details, refer to P.166)

During assembly	Radial load P-direction (N)	980
	Thrust load A-direction (N)	588
	Thrust load B-direction (N)	686
During operation	Radial load P-direction (N)	784
	Thrust load A, B-direction (N)	343

• For details of Note)1 to Note)4, refer to P.165.

• Dimensions of Driver, refer to P.49.

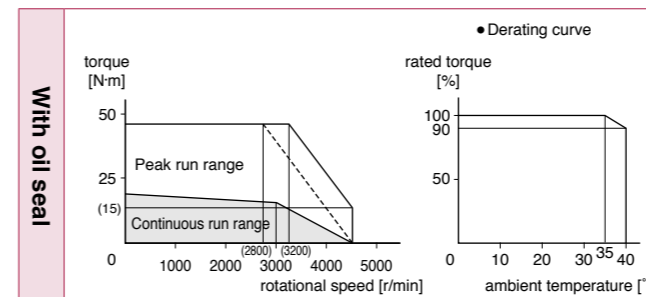
\*1 □□ in the motor part number represents the motor specifications.

\*2 Basic type and RS485 communication type are "Position control type".

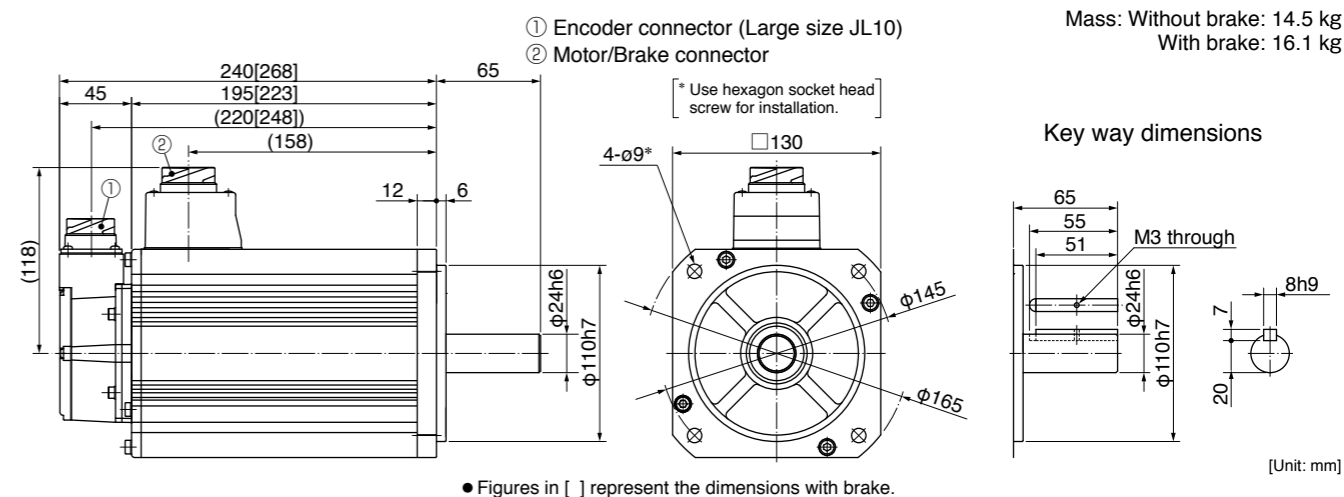
Detail of model designation, refer to P.116.

\*3 When using a rotary encoder as an incremental system (not using multi-turn data), do not connect a battery for absolute encoder.

Torque characteristics (at AC200 V of power voltage <Dotted line represents the torque at 10 % less supply voltage.>)



Dimensions



• Figures in [ ] represent the dimensions with brake.

<Cautions> Reduce the moment of inertia ratio if high speed response operation is required. Dimensions are subject to change without notice. Contact us or a dealer for the latest information. Read the Instruction Manual carefully and understand all precautions and remarks before using the products. Please avoid the motor, or equipment containing the motor to be distributed to Japan, or other regions through Japan.

\* Please contact us for more information.

**Specifications**

		AC200 V	
Motor model <sup>1)</sup>	IP65	<b>MQMF012L1□□M</b>	
Applicable driver	Model No.	Multifunction type	<b>MADLT05SF</b>
		RS485 communication type <sup>2)</sup>	<b>MADLN05SG</b>
		Basic type <sup>2)</sup>	<b>MADLN05SE</b>
	Frame symbol	A-frame	
Power supply capacity	(kVA)	0.5	
Rated output	(W)	100	
Rated torque	(N·m)	0.32	
Continuous stall torque	(N·m)	0.33	
Momentary Max. peak torque	(N·m)	1.11	
Rated current	(A(rms))	1.1	
Max. current	(A(o-p))	5.5	
Regenerative brake frequency (times/min) <sup>Note)1</sup>	Without option	No limit <sup>Note)2</sup>	
	DV0P4281	No limit <sup>Note)2</sup>	
Rated rotational speed	(r/min)	3000	
Max. rotational speed	(r/min)	6500	
Moment of inertia of rotor (×10 <sup>-4</sup> kg·m <sup>2</sup> )	Without brake	0.15	
	With brake	0.18	
Recommended moment of inertia ratio of the load and the rotor <sup>Note)3</sup>		20 times or less	
Rotary encoder specifications <sup>3)</sup>		23-bit Absolute	
	Resolution per single turn	8388608	

• **Brake specifications** (For details, refer to P.167)  
(This brake will be released when it is energized.)  
(Do not use this for braking the motor in motion.)

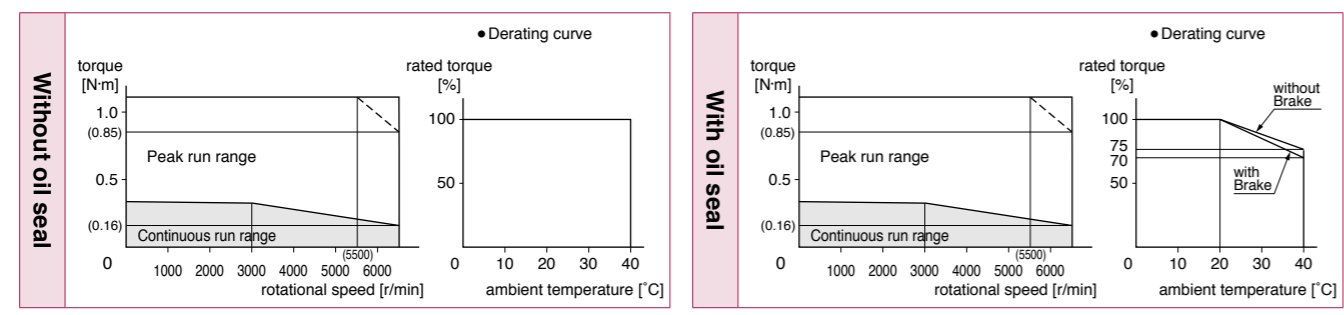
Static friction torque (N·m)	0.39 or more
Engaging time (ms)	15 or less
Releasing time (ms) <sup>Note)4</sup>	20 or less
Exciting current (DC) (A)	0.30
Releasing voltage (DC) (V)	1 or more
Exciting voltage (DC) (V)	24±2.4

• **Permissible load** (For details, refer to P.166)

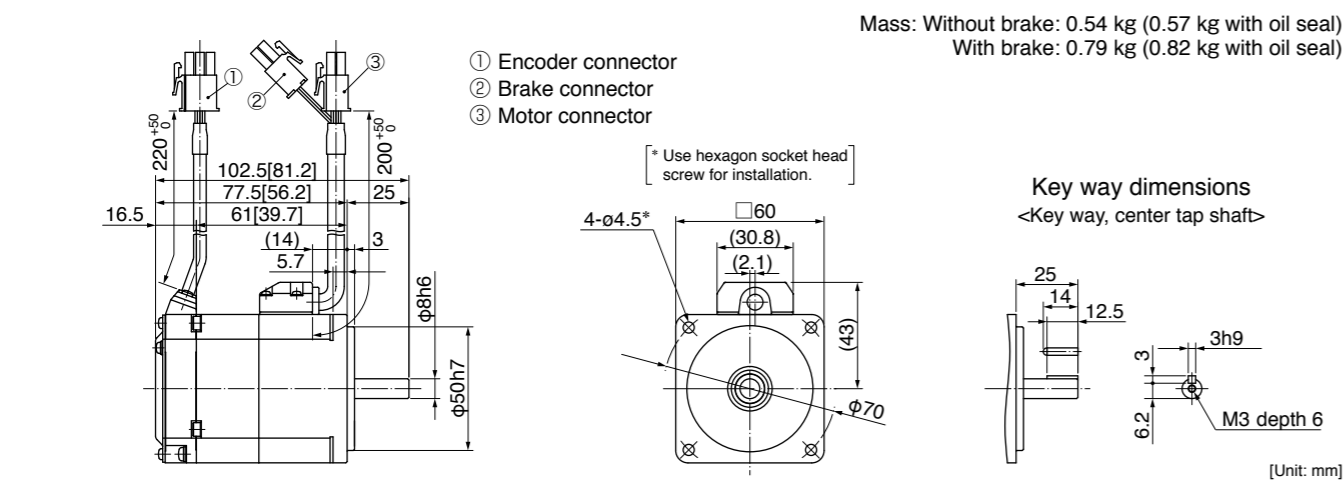
During assembly	Radial load P-direction (N)	147
	Thrust load A-direction (N)	88
	Thrust load B-direction (N)	117.6
During operation	Radial load P-direction (N)	68.6
	Thrust load A, B-direction (N)	58.8

• For details of Note)1 to Note)4, refer to P.165.  
• Dimensions of Driver, refer to P.47.  
\*1 □□ in the motor part number represents the motor specifications.  
\*2 Basic type and RS485 communication type are "Position control type".  
Detail of model designation, refer to P.116.  
\*3 When using a rotary encoder as an incremental system (not using multi-turn data), do not connect a battery for absolute encoder.

**Torque characteristics (at AC200 V of power voltage <Dotted line represents the torque at 10 % less supply voltage.>)**



**Dimensions**



For motors with oil seal, refer to P.159. For motors with protective lip, refer to P.160. •Figures in [ ] represent the dimensions without brake.  
**<Cautions>** Reduce the moment of inertia ratio if high speed response operation is required. Dimensions are subject to change without notice. Contact us or a dealer for the latest information. Read the Instruction Manual carefully and understand all precautions and remarks before using the products. Please avoid the motor, or equipment containing the motor to be distributed to Japan, or other regions through Japan.

\* Please contact us for more information.

**Specifications**

		AC200 V	
Motor model <sup>1)</sup>	IP65	<b>MQMF022L1□□M</b>	
Applicable driver	Model No.	Multifunction type	<b>MADLT15SF</b>
		RS485 communication type <sup>2)</sup>	<b>MADLN15SG</b>
		Basic type <sup>2)</sup>	<b>MADLN15SE</b>
	Frame symbol	A-frame	
Power supply capacity	(kVA)	0.5	
Rated output	(W)	200	
Rated torque	(N·m)	0.64	
Continuous stall torque	(N·m)	0.76	
Momentary Max. peak torque	(N·m)	2.23	
Rated current	(A(rms))	1.4	
Max. current	(A(o-p))	6.9	
Regenerative brake frequency (times/min) <sup>Note)1</sup>	Without option	No limit <sup>Note)2</sup>	
	DV0P4283	No limit <sup>Note)2</sup>	
Rated rotational speed	(r/min)	3000	
Max. rotational speed	(r/min)	6500	
Moment of inertia of rotor (×10 <sup>-4</sup> kg·m <sup>2</sup> )	Without brake	0.50	
	With brake	0.59	
Recommended moment of inertia ratio of the load and the rotor <sup>Note)3</sup>		20 times or less	
Rotary encoder specifications <sup>3)</sup>		23-bit Absolute	
	Resolution per single turn	8388608	

• **Brake specifications** (For details, refer to P.167)  
(This brake will be released when it is energized.)  
(Do not use this for braking the motor in motion.)

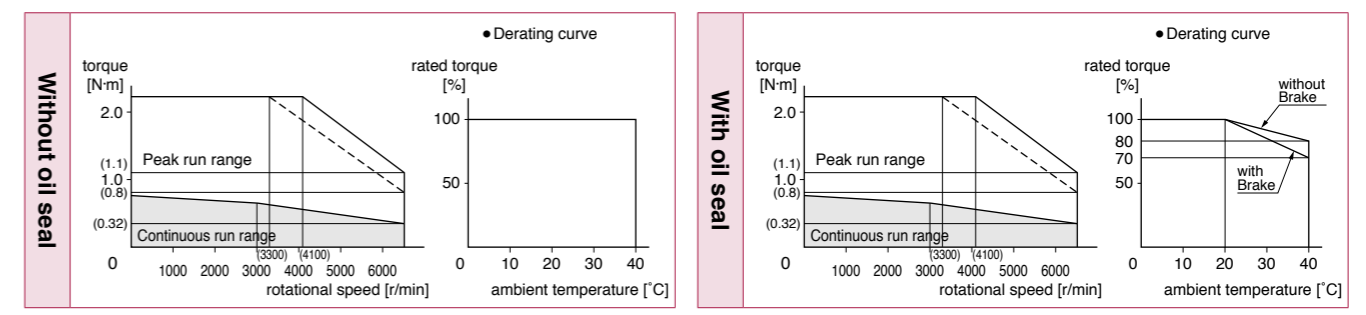
Static friction torque (N·m)	1.6 or more
Engaging time (ms)	70 or less
Releasing time (ms) <sup>Note)4</sup>	20 or less
Exciting current (DC) (A)	0.36
Releasing voltage (DC) (V)	1 or more
Exciting voltage (DC) (V)	24±2.4

• **Permissible load** (For details, refer to P.166)

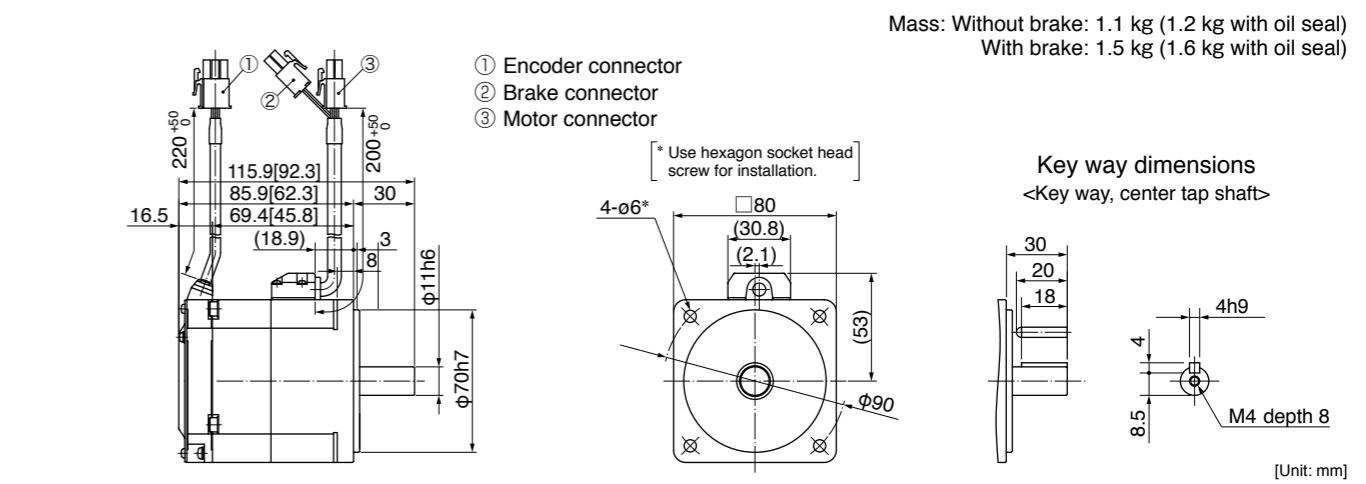
During assembly	Radial load P-direction (N)	392
	Thrust load A-direction (N)	147
	Thrust load B-direction (N)	196
During operation	Radial load P-direction (N)	245
	Thrust load A, B-direction (N)	98

• For details of Note)1 to Note)4, refer to P.165.  
• Dimensions of Driver, refer to P.47.  
\*1 □□ in the motor part number represents the motor specifications.  
\*2 Basic type and RS485 communication type are "Position control type".  
Detail of model designation, refer to P.116.  
\*3 When using a rotary encoder as an incremental system (not using multi-turn data), do not connect a battery for absolute encoder.

**Torque characteristics (at AC200 V of power voltage <Dotted line represents the torque at 10 % less supply voltage.>)**



**Dimensions**



For motors with oil seal, refer to P.159. For motors with protective lip, refer to P.160. •Figures in [ ] represent the dimensions without brake.  
**<Cautions>** Reduce the moment of inertia ratio if high speed response operation is required. Dimensions are subject to change without notice. Contact us or a dealer for the latest information. Read the Instruction Manual carefully and understand all precautions and remarks before using the products. Please avoid the motor, or equipment containing the motor to be distributed to Japan, or other regions through Japan.

• Please contact us for more information.

Specifications

		AC200 V	
Motor model <sup>1)</sup>	IP65	MQMF042L1□□M	
Applicable driver	Model No.	Multifunction type	MBDLT25SF
		RS485 communication type <sup>2)</sup>	MBDLN25SG
		Basic type <sup>2)</sup>	MBDLN25SE
	Frame symbol	B-frame	
Power supply capacity	(kVA)	0.9	
Rated output	(W)	400	
Rated torque	(N·m)	1.27	
Continuous stall torque	(N·m)	1.40	
Momentary Max. peak torque	(N·m)	4.46	
Rated current	(A(rms))	2.1	
Max. current	(A(o-p))	10.4	
Regenerative brake frequency (times/min) <sup>Note)1</sup>	Without option	No limit <sup>Note)2</sup>	
	DV0P4283	No limit <sup>Note)2</sup>	
Rated rotational speed	(r/min)	3000	
Max. rotational speed	(r/min)	6500	
Moment of inertia of rotor (×10 <sup>-4</sup> kg·m <sup>2</sup> )	Without brake	0.98	
	With brake	1.06	
Recommended moment of inertia ratio of the load and the rotor	<sup>Note)3</sup>	20 times or less	
Rotary encoder specifications <sup>3)</sup>		23-bit Absolute	
	Resolution per single turn	8388608	

• **Brake specifications** (For details, refer to P.167)  
 (This brake will be released when it is energized.)  
 (Do not use this for braking the motor in motion.)

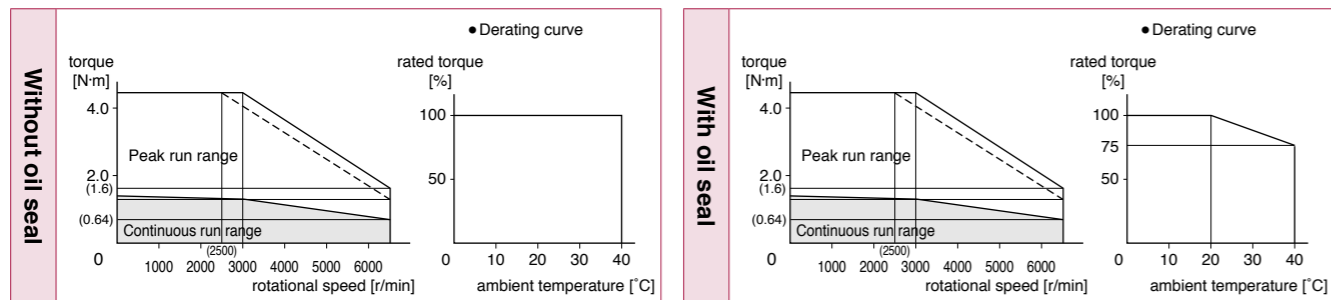
Static friction torque (N·m)	1.6 or more
Engaging time (ms)	70 or less
Releasing time (ms) <sup>Note)4</sup>	20 or less
Exciting current (DC) (A)	0.36
Releasing voltage (DC) (V)	1 or more
Exciting voltage (DC) (V)	24±2.4

• **Permissible load** (For details, refer to P.166)

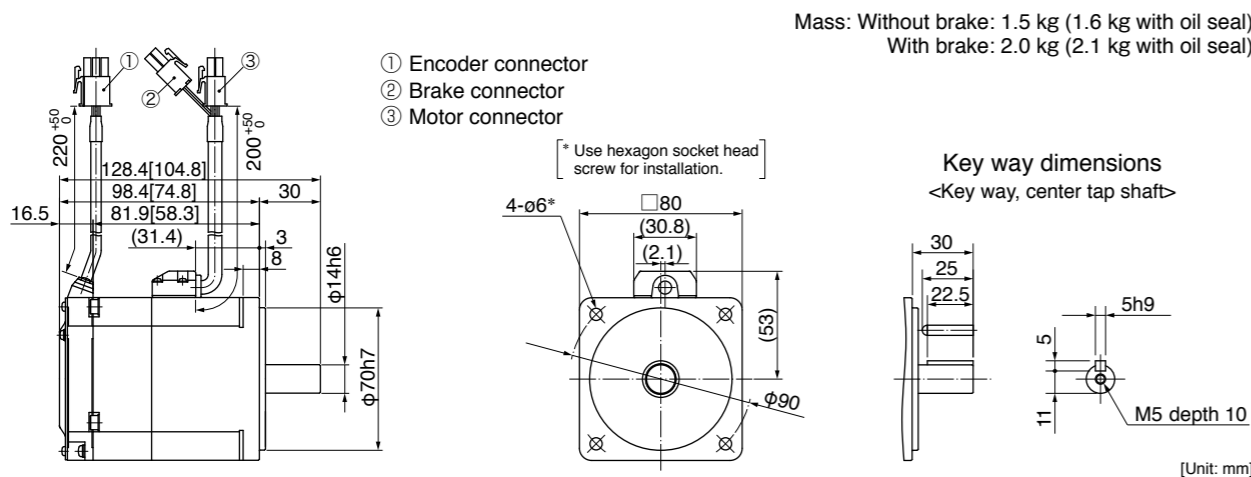
During assembly	Radial load P-direction (N)	392
	Thrust load A-direction (N)	147
	Thrust load B-direction (N)	196
During operation	Radial load P-direction (N)	245
	Thrust load A, B-direction (N)	98

- For details of Note)1 to Note)4, refer to P.165.
- Dimensions of Driver, refer to P.47.
- \*1 □□ in the motor part number represents the motor specifications.
- \*2 Basic type and RS485 communication type are "Position control type".  
Detail of model designation, refer to P.116.
- \*3 When using a rotary encoder as an incremental system (not using multi-turn data), do not connect a battery for absolute encoder.

Torque characteristics (at AC200 V of power voltage <Dotted line represents the torque at 10% less supply voltage.>)



Dimensions



For motors with oil seal, refer to P.159. For motors with protective lip, refer to P.160. •Figures in [ ] represent the dimensions without brake.

<Cautions> Reduce the moment of inertia ratio if high speed response operation is required. Dimensions are subject to change without notice. Contact us or a dealer for the latest information. Read the Instruction Manual carefully and understand all precautions and remarks before using the products. Please avoid the motor, or equipment containing the motor to be distributed to Japan, or other regions through Japan.

• Please contact us for more information.

Specifications

		AC200 V	
Motor model <sup>1)</sup>	IP65	MHMF5AZL1□□M	
Applicable driver	Model No.	Multifunction type	MADLT05SF
		RS485 communication type <sup>2)</sup>	MADLN05SG
		Basic type <sup>2)</sup>	MADLN05SE
	Frame symbol	A-frame	
Power supply capacity	(kVA)	0.5	
Rated output	(W)	50	
Rated torque	(N·m)	0.16	
Continuous stall torque	(N·m)	0.18	
Momentary Max. peak torque	(N·m)	0.56	
Rated current	(A(rms))	1.1	
Max. current	(A(o-p))	5.5	
Regenerative brake frequency (times/min) <sup>Note)1</sup>	Without option	No limit <sup>Note)2</sup>	
	DV0P4281	No limit <sup>Note)2</sup>	
Rated rotational speed	(r/min)	3000	
Max. rotational speed	(r/min)	6500	
Moment of inertia of rotor (×10 <sup>-4</sup> kg·m <sup>2</sup> )	Without brake	0.038	
	With brake	0.042	
Recommended moment of inertia ratio of the load and the rotor	<sup>Note)3</sup>	30 times or less	
Rotary encoder specifications <sup>3)</sup>		23-bit Absolute	
	Resolution per single turn	8388608	

• **Brake specifications** (For details, refer to P.167)  
 (This brake will be released when it is energized.)  
 (Do not use this for braking the motor in motion.)

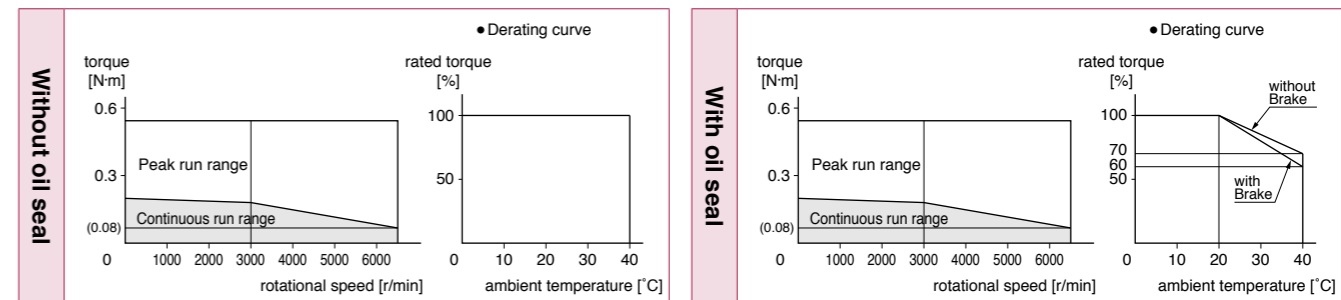
Static friction torque (N·m)	0.38 or more
Engaging time (ms)	35 or less
Releasing time (ms) <sup>Note)4</sup>	20 or less
Exciting current (DC) (A)	0.30
Releasing voltage (DC) (V)	1 or more
Exciting voltage (DC) (V)	24±2.4

• **Permissible load** (For details, refer to P.166)

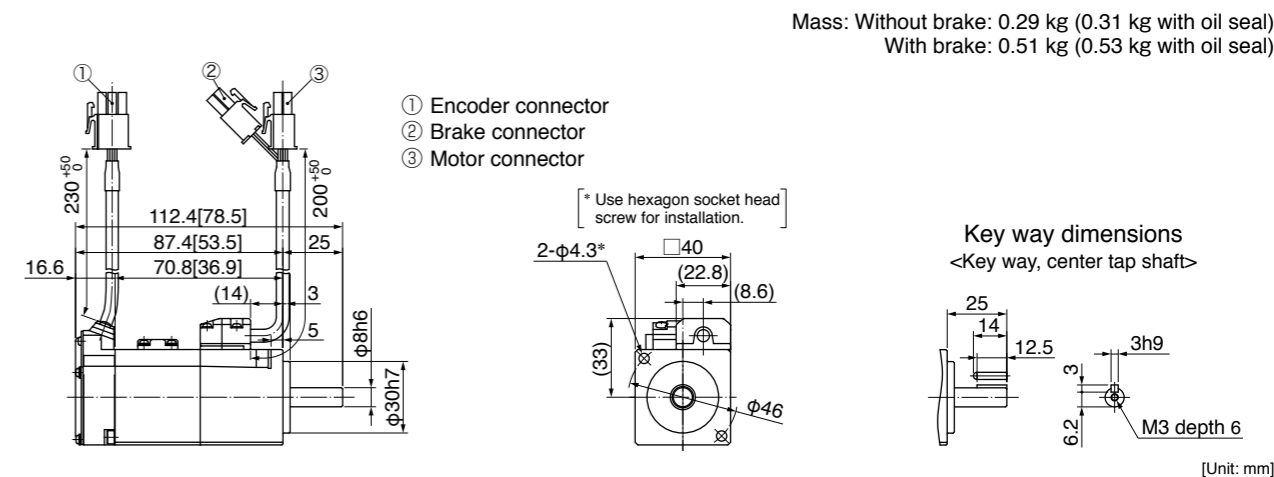
During assembly	Radial load P-direction (N)	147
	Thrust load A-direction (N)	88
	Thrust load B-direction (N)	117.6
During operation	Radial load P-direction (N)	68.6
	Thrust load A, B-direction (N)	49

- For details of Note)1 to Note)4, refer to P.165.
- Dimensions of Driver, refer to P.47.
- \*1 □□ in the motor part number represents the motor specifications.
- \*2 Basic type and RS485 communication type are "Position control type".  
Detail of model designation, refer to P.116.
- \*3 When using a rotary encoder as an incremental system (not using multi-turn data), do not connect a battery for absolute encoder.

Torque characteristics (at AC200 V of power voltage <Dotted line represents the torque at 10% less supply voltage.>)



Dimensions



For motors with oil seal, refer to P.161. For motors with protective lip, refer to P.163. •Figures in [ ] represent the dimensions without brake.

<Cautions> Reduce the moment of inertia ratio if high speed response operation is required. Dimensions are subject to change without notice. Contact us or a dealer for the latest information. Read the Instruction Manual carefully and understand all precautions and remarks before using the products. Please avoid the motor, or equipment containing the motor to be distributed to Japan, or other regions through Japan.

Please contact us for more information.

Specifications

		AC200 V
Motor model <sup>1)</sup>	IP65	MHMF012L1□□M
Applicable driver	Model No.	Multifunction type MADLT05SF
		RS485 communication type <sup>2)</sup> MADLN05SG
		Basic type <sup>2)</sup> MADLN05SE
	Frame symbol	A-frame
Power supply capacity	(kVA)	0.5
Rated output	(W)	100
Rated torque	(N·m)	0.32
Continuous stall torque	(N·m)	0.33
Momentary Max. peak torque	(N·m)	1.11
Rated current	(A(rms))	1.1
Max. current	(A(o-p))	5.5
Regenerative brake frequency (times/min) <sup>Note)1</sup>	Without option	No limit <sup>Note)2</sup>
	DV0P4281	No limit <sup>Note)2</sup>
Rated rotational speed	(r/min)	3000
Max. rotational speed	(r/min)	6500
Moment of inertia of rotor (×10 <sup>-4</sup> kg·m <sup>2</sup> )	Without brake	0.071
	With brake	0.074
Recommended moment of inertia ratio of the load and the rotor <sup>Note)3</sup>		30 times or less
Rotary encoder specifications <sup>3)</sup>		23-bit Absolute
	Resolution per single turn	8388608

• **Brake specifications** (For details, refer to P.167)  
(This brake will be released when it is energized.)  
(Do not use this for braking the motor in motion.)

Static friction torque (N·m)	0.38 or more
Engaging time (ms)	35 or less
Releasing time (ms) <sup>Note)4</sup>	20 or less
Exciting current (DC) (A)	0.30
Releasing voltage (DC) (V)	1 or more
Exciting voltage (DC) (V)	24±2.4

• **Permissible load** (For details, refer to P.166)

During assembly	Radial load P-direction (N)	147
	Thrust load A-direction (N)	88
	Thrust load B-direction (N)	117.6
During operation	Radial load P-direction (N)	68.6
	Thrust load A, B-direction (N)	58.8

• For details of Note)1 to Note)4, refer to P.165.  
• Dimensions of Driver, refer to P.47.

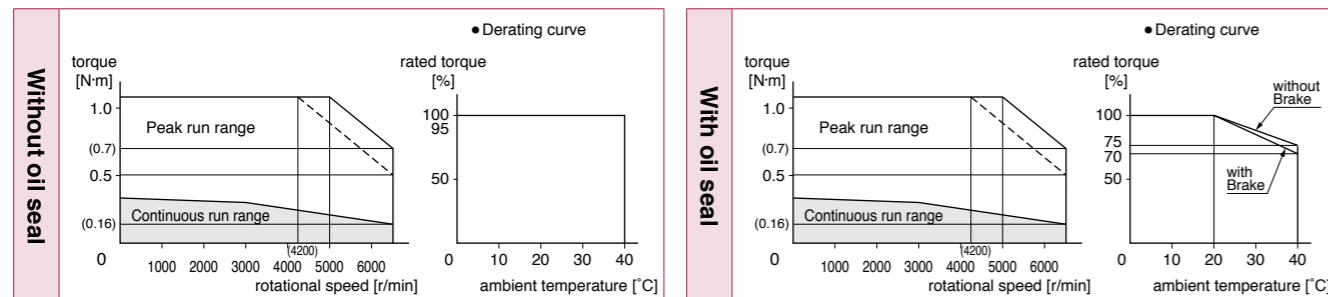
\*1 □□ in the motor part number represents the motor specifications.

\*2 Basic type and RS485 communication type are "Position control type".

Detail of model designation, refer to P.116.

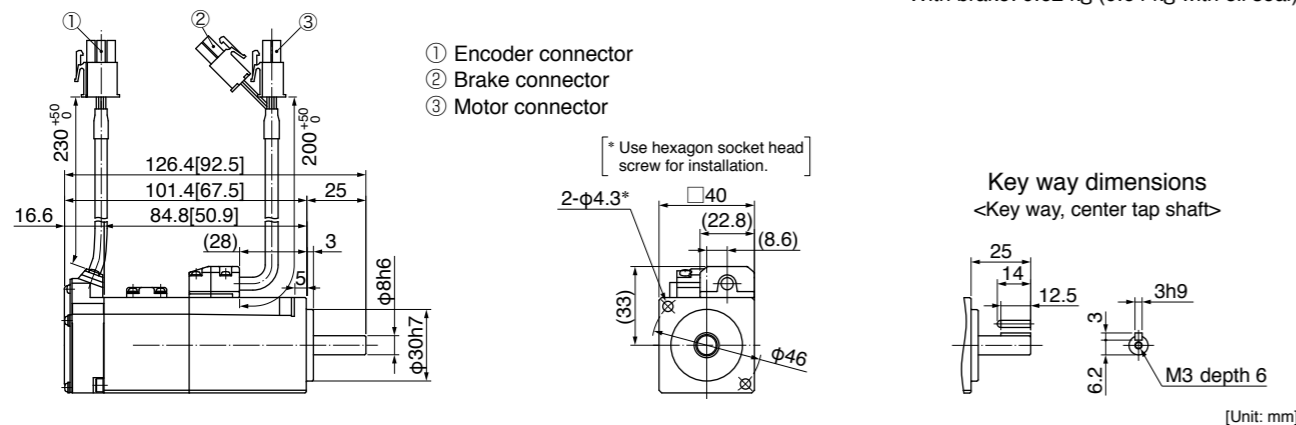
\*3 When using a rotary encoder as an incremental system (not using multi-turn data), do not connect a battery for absolute encoder.

Torque characteristics (at AC200 V of power voltage <Dotted line represents the torque at 10% less supply voltage.>)



Dimensions

Mass: Without brake: 0.40 kg (0.42 kg with oil seal)  
With brake: 0.62 kg (0.64 kg with oil seal)



For motors with oil seal, refer to P.161. For motors with protective lip, refer to P.163. •Figures in [ ] represent the dimensions without brake.

<Cautions> Reduce the moment of inertia ratio if high speed response operation is required. Dimensions are subject to change without notice. Contact us or a dealer for the latest information. Read the Instruction Manual carefully and understand all precautions and remarks before using the products. Please avoid the motor, or equipment containing the motor to be distributed to Japan, or other regions through Japan.

Please contact us for more information.

Specifications

		AC200 V
Motor model <sup>1)</sup>	IP65	MHMF022L1□□M
Applicable driver	Model No.	Multifunction type MADLT15SF
		RS485 communication type <sup>2)</sup> MADLN15SG
		Basic type <sup>2)</sup> MADLN15SE
	Frame symbol	A-frame
Power supply capacity	(kVA)	0.5
Rated output	(W)	200
Rated torque	(N·m)	0.64
Continuous stall torque	(N·m)	0.76
Momentary Max. peak torque	(N·m)	2.23
Rated current	(A(rms))	1.4
Max. current	(A(o-p))	6.9
Regenerative brake frequency (times/min) <sup>Note)1</sup>	Without option	No limit <sup>Note)2</sup>
	DV0P4283	No limit <sup>Note)2</sup>
Rated rotational speed	(r/min)	3000
Max. rotational speed	(r/min)	6500
Moment of inertia of rotor (×10 <sup>-4</sup> kg·m <sup>2</sup> )	Without brake	0.29
	With brake	0.31
Recommended moment of inertia ratio of the load and the rotor <sup>Note)3</sup>		30 times or less
Rotary encoder specifications <sup>3)</sup>		23-bit Absolute
	Resolution per single turn	8388608

• **Brake specifications** (For details, refer to P.167)  
(This brake will be released when it is energized.)  
(Do not use this for braking the motor in motion.)

Static friction torque (N·m)	1.6 or more
Engaging time (ms)	50 or less
Releasing time (ms) <sup>Note)4</sup>	20 or less
Exciting current (DC) (A)	0.36
Releasing voltage (DC) (V)	1 or more
Exciting voltage (DC) (V)	24±2.4

• **Permissible load** (For details, refer to P.166)

During assembly	Radial load P-direction (N)	392
	Thrust load A-direction (N)	147
	Thrust load B-direction (N)	196
During operation	Radial load P-direction (N)	245
	Thrust load A, B-direction (N)	98

• For details of Note)1 to Note)4, refer to P.165.  
• Dimensions of Driver, refer to P.47.

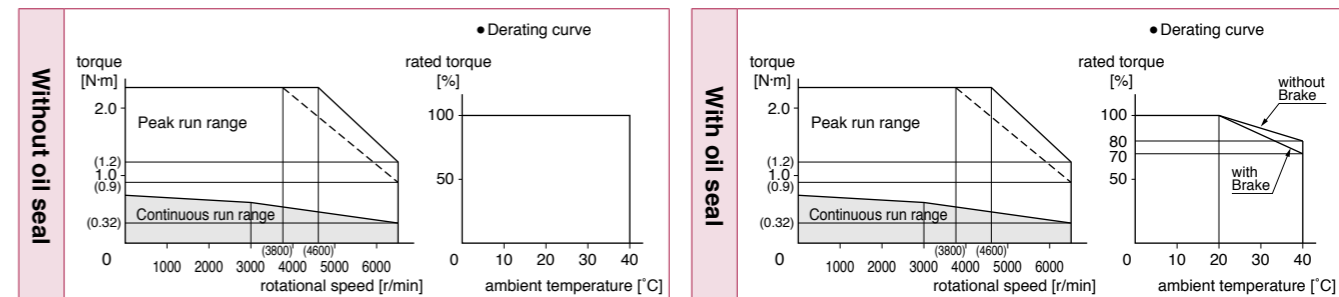
\*1 □□ in the motor part number represents the motor specifications.

\*2 Basic type and RS485 communication type are "Position control type".

Detail of model designation, refer to P.116.

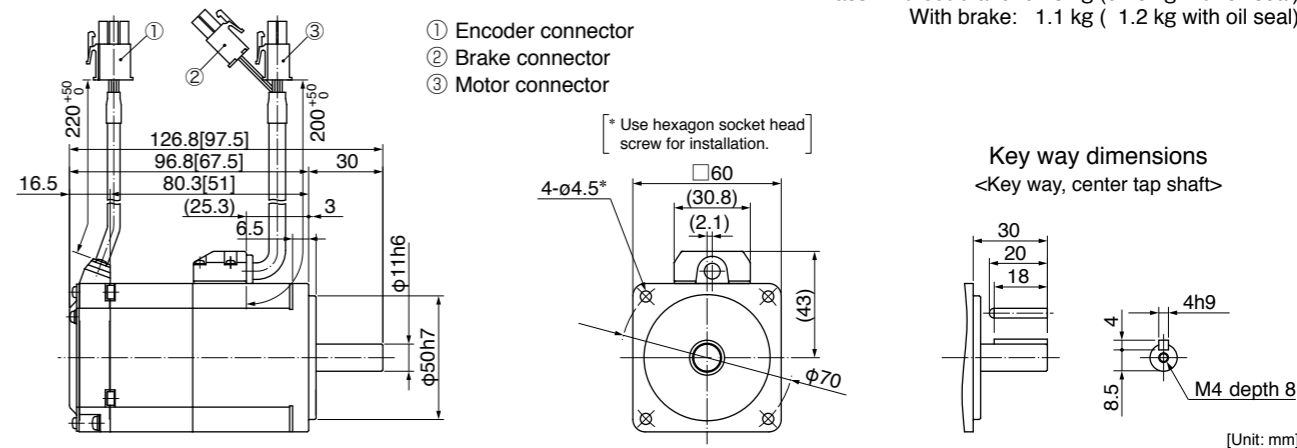
\*3 When using a rotary encoder as an incremental system (not using multi-turn data), do not connect a battery for absolute encoder.

Torque characteristics (at AC200 V of power voltage <Dotted line represents the torque at 10% less supply voltage.>)



Dimensions

Mass: Without brake: 0.75 kg (0.78 kg with oil seal)  
With brake: 1.1 kg ( 1.2 kg with oil seal)



For motors with oil seal, refer to P.161. For motors with protective lip, refer to P.163. •Figures in [ ] represent the dimensions without brake.

<Cautions> Reduce the moment of inertia ratio if high speed response operation is required. Dimensions are subject to change without notice. Contact us or a dealer for the latest information. Read the Instruction Manual carefully and understand all precautions and remarks before using the products. Please avoid the motor, or equipment containing the motor to be distributed to Japan, or other regions through Japan.

Please contact us for more information.

Specifications

		AC200 V
Motor model <sup>1)</sup>	IP65	MHMF042L1□□M
Applicable driver	Model No.	Multifunction type MBDLT25SF
		RS485 communication type <sup>2)</sup> MBDLN25SG
		Basic type <sup>2)</sup> MBDLN25SE
	Frame symbol	B-frame
Power supply capacity	(kVA)	0.9
Rated output	(W)	400
Rated torque	(N·m)	1.27
Continuous stall torque	(N·m)	1.40
Momentary Max. peak torque	(N·m)	4.46
Rated current	(A(rms))	2.1
Max. current	(A(o-p))	10.4
Regenerative brake frequency (times/min) <sup>Note)1</sup>	Without option	No limit <sup>Note)2</sup>
	DV0P4283	No limit <sup>Note)2</sup>
Rated rotational speed	(r/min)	3000
Max. rotational speed	(r/min)	6500
Moment of inertia of rotor (×10 <sup>-4</sup> kg·m <sup>2</sup> )	Without brake	0.56
	With brake	0.58
Recommended moment of inertia ratio of the load and the rotor <sup>Note)3</sup>		30 times or less
Rotary encoder specifications <sup>3)</sup>		23-bit Absolute
	Resolution per single turn	8388608

• **Brake specifications** (For details, refer to P.167)  
(This brake will be released when it is energized.)  
(Do not use this for braking the motor in motion.)

Static friction torque (N·m)	1.6 or more
Engaging time (ms)	50 or less
Releasing time (ms) <sup>Note)4</sup>	20 or less
Exciting current (DC) (A)	0.36
Releasing voltage (DC) (V)	1 or more
Exciting voltage (DC) (V)	24±2.4

• **Permissible load** (For details, refer to P.166)

During assembly	Radial load P-direction (N)	392
	Thrust load A-direction (N)	147
	Thrust load B-direction (N)	196
During operation	Radial load P-direction (N)	245
	Thrust load A, B-direction (N)	98

• For details of Note)1 to Note)4, refer to P.165.  
• Dimensions of Driver, refer to P.47.

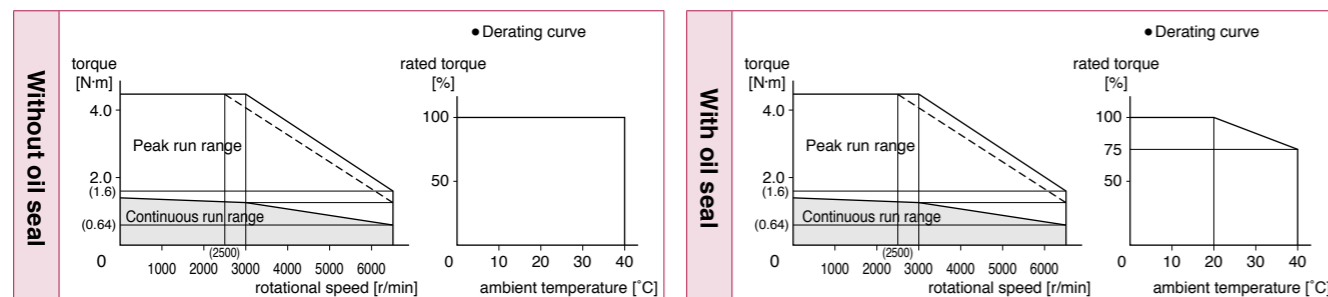
\*1 □□ in the motor part number represents the motor specifications.

\*2 Basic type and RS485 communication type are "Position control type".

Detail of model designation, refer to P.116.

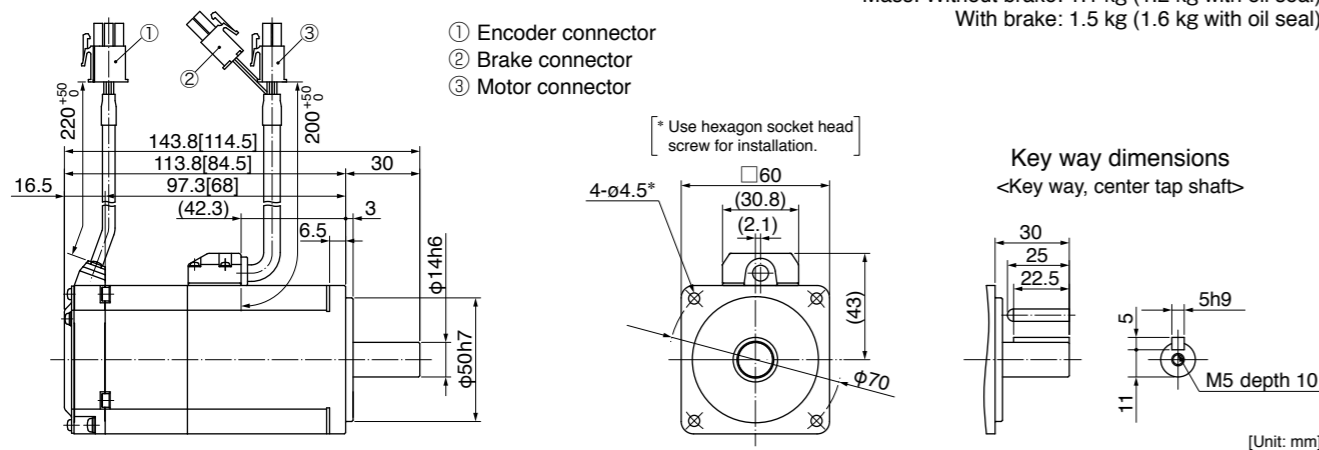
\*3 When using a rotary encoder as an incremental system (not using multi-turn data), do not connect a battery for absolute encoder.

Torque characteristics (at AC200 V of power voltage <Dotted line represents the torque at 10% less supply voltage.>)



Dimensions

Mass: Without brake: 1.1 kg (1.2 kg with oil seal)  
With brake: 1.5 kg (1.6 kg with oil seal)



For motors with oil seal, refer to P.162. For motors with protective lip, refer to P.164. •Figures in [ ] represent the dimensions without brake.

<Cautions> Reduce the moment of inertia ratio if high speed response operation is required. Dimensions are subject to change without notice. Contact us or a dealer for the latest information. Read the Instruction Manual carefully and understand all precautions and remarks before using the products. Please avoid the motor, or equipment containing the motor to be distributed to Japan, or other regions through Japan.

Please contact us for more information.

Specifications

		AC200 V
Motor model <sup>1)</sup>	IP65	MHMF082L1□□M
Applicable driver	Model No.	Multifunction type MCDLT35SF
		RS485 communication type <sup>2)</sup> MCDLN35SG
		Basic type <sup>2)</sup> MCDLN35SE
	Frame symbol	C-frame
Power supply capacity	(kVA)	1.3
Rated output	(W)	750
Rated torque	(N·m)	2.39
Continuous stall torque	(N·m)	2.86
Momentary Max. peak torque	(N·m)	8.36
Rated current	(A(rms))	3.8
Max. current	(A(o-p))	18.8
Regenerative brake frequency (times/min) <sup>Note)1</sup>	Without option	No limit <sup>Note)2</sup>
	DV0P4283	No limit <sup>Note)2</sup>
Rated rotational speed	(r/min)	3000
Max. rotational speed	(r/min)	6000
Moment of inertia of rotor (×10 <sup>-4</sup> kg·m <sup>2</sup> )	Without brake	1.56
	With brake	1.66
Recommended moment of inertia ratio of the load and the rotor <sup>Note)3</sup>		20 times or less
Rotary encoder specifications <sup>3)</sup>		23-bit Absolute
	Resolution per single turn	8388608

• **Brake specifications** (For details, refer to P.167)  
(This brake will be released when it is energized.)  
(Do not use this for braking the motor in motion.)

Static friction torque (N·m)	3.8 or more
Engaging time (ms)	70 or less
Releasing time (ms) <sup>Note)4</sup>	20 or less
Exciting current (DC) (A)	0.42
Releasing voltage (DC) (V)	1 or more
Exciting voltage (DC) (V)	24±2.4

• **Permissible load** (For details, refer to P.166)

During assembly	Radial load P-direction (N)	686
	Thrust load A-direction (N)	294
	Thrust load B-direction (N)	392
During operation	Radial load P-direction (N)	392
	Thrust load A, B-direction (N)	147

• For details of Note)1 to Note)4, refer to P.165.  
• Dimensions of Driver, refer to P.48.

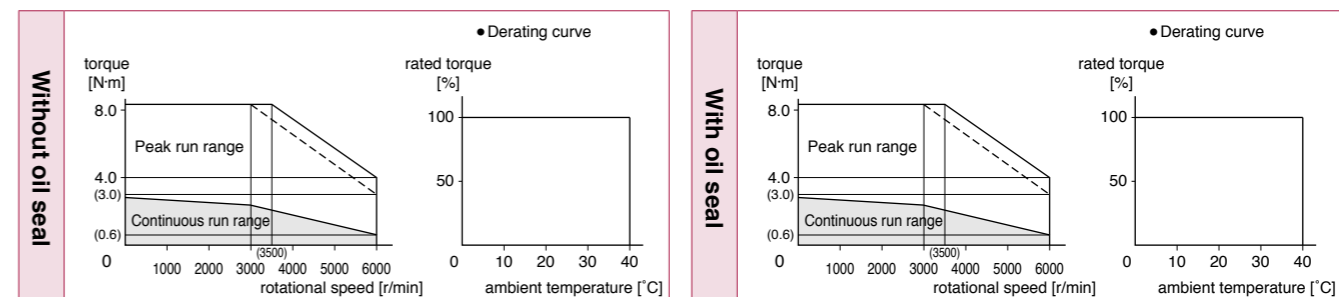
\*1 □□ in the motor part number represents the motor specifications.

\*2 Basic type and RS485 communication type are "Position control type".

Detail of model designation, refer to P.116.

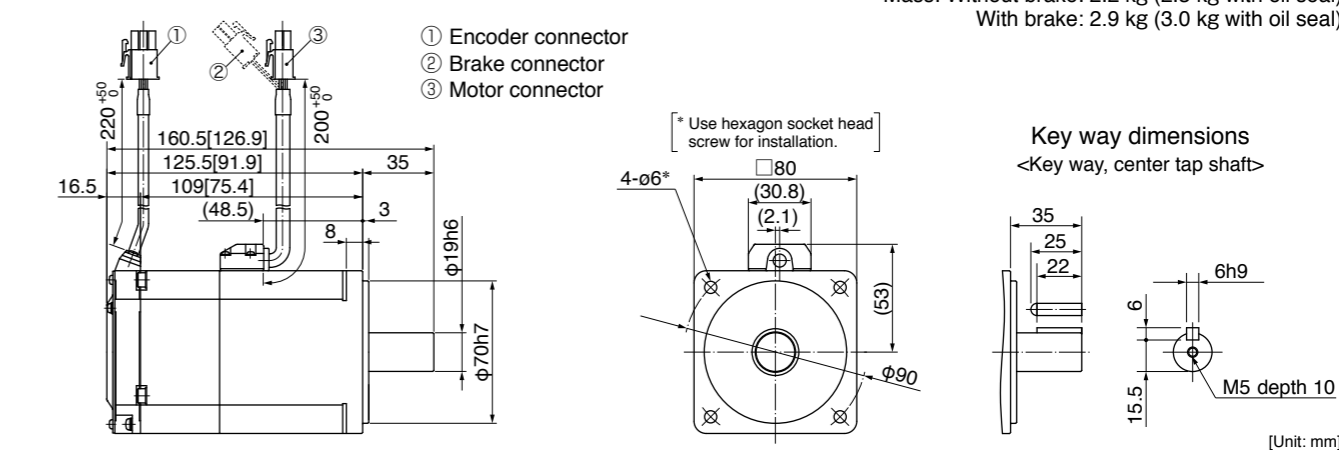
\*3 When using a rotary encoder as an incremental system (not using multi-turn data), do not connect a battery for absolute encoder.

Torque characteristics (at AC200 V of power voltage <Dotted line represents the torque at 10% less supply voltage.>)



Dimensions

Mass: Without brake: 2.2 kg (2.3 kg with oil seal)  
With brake: 2.9 kg (3.0 kg with oil seal)



For motors with oil seal, refer to P.162. For motors with protective lip, refer to P.164. •Figures in [ ] represent the dimensions without brake.

<Cautions> Reduce the moment of inertia ratio if high speed response operation is required. Dimensions are subject to change without notice. Contact us or a dealer for the latest information. Read the Instruction Manual carefully and understand all precautions and remarks before using the products. Please avoid the motor, or equipment containing the motor to be distributed to Japan, or other regions through Japan.

• Please contact us for more information.

Specifications

		AC200 V
Motor model <sup>1)</sup>	IP65	<b>MHMF092L1</b> □□□ <b>M</b>
Applicable driver	Model No.	Multifunction type <b>MDDL55SF</b>
		RS485 communication type <sup>2)</sup> <b>MDDL55SG</b>
		Basic type <sup>2)</sup> <b>MDDL55SE</b>
	Frame symbol	D-frame
Power supply capacity	(kVA)	2.3
Rated output	(W)	1000
Rated torque	(N·m)	3.18
Continuous stall torque	(N·m)	3.34
Momentary Max. peak torque	(N·m)	11.1
Rated current	(A(rms))	5.7
Max. current	(A(o-p))	28.2
Regenerative brake frequency (times/min) <sup>Note)1</sup>	Without option	No limit <sup>Note)2</sup>
	DV0P4284	No limit <sup>Note)2</sup>
Rated rotational speed	(r/min)	3000
Max. rotational speed	(r/min)	6000
Moment of inertia of rotor (×10 <sup>-4</sup> kg·m <sup>2</sup> )	Without brake	2.03
	With brake	2.13
Recommended moment of inertia ratio of the load and the rotor	<sup>Note)3</sup>	20 times or less
Rotary encoder specifications <sup>3)</sup>		23-bit Absolute
	Resolution per single turn	8388608

• **Brake specifications** (For details, refer to P.167)  
(This brake will be released when it is energized.)  
(Do not use this for braking the motor in motion.)

Static friction torque (N·m)	3.8 or more
Engaging time (ms)	70 or less
Releasing time (ms) <sup>Note)4</sup>	20 or less
Exciting current (DC) (A)	0.42
Releasing voltage (DC) (V)	1 or more
Exciting voltage (DC) (V)	24±2.4

• **Permissible load** (For details, refer to P.166)

During assembly	Radial load P-direction (N)	686
	Thrust load A-direction (N)	294
	Thrust load B-direction (N)	392
During operation	Radial load P-direction (N)	392
	Thrust load A, B-direction (N)	147

• For details of Note)1 to Note)4, refer to P.165.  
• Dimensions of Driver, refer to P.48.

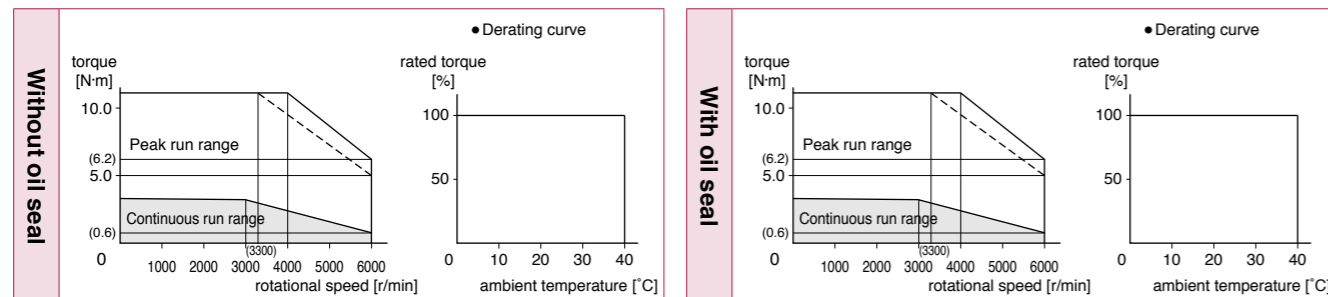
\*1 □□ in the motor part number represents the motor specifications.

\*2 Basic type and RS485 communication type are "Position control type".

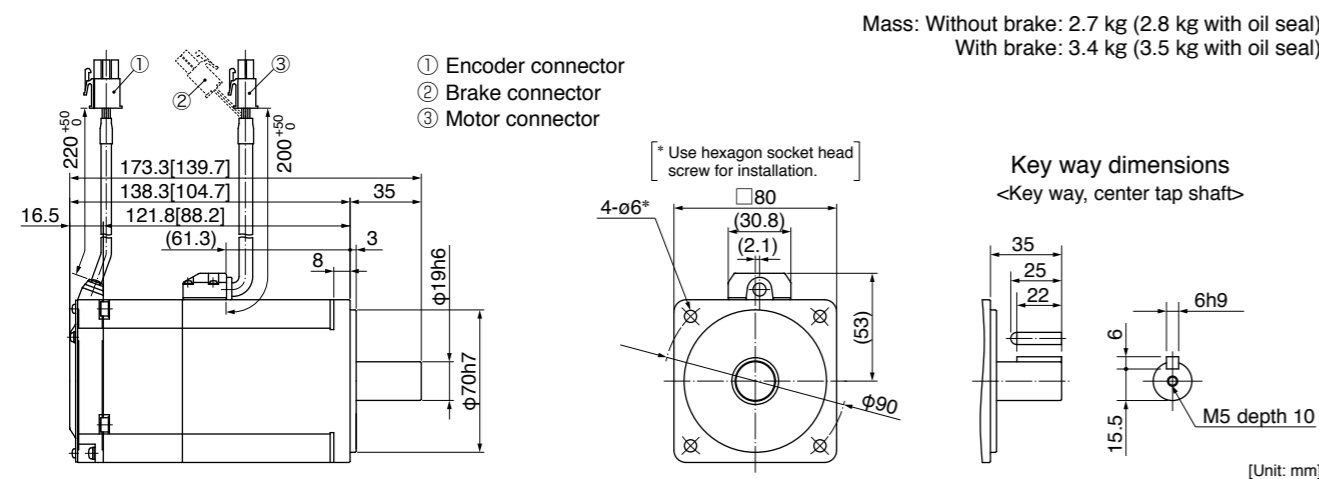
Detail of model designation, refer to P.116.

\*3 When using a rotary encoder as an incremental system (not using multi-turn data), do not connect a battery for absolute encoder.

Torque characteristics (at AC200 V of power voltage <Dotted line represents the torque at 10% less supply voltage.>)



Dimensions



For motors with oil seal, refer to P.162. For motors with protective lip, refer to P.164. • Figures in [ ] represent the dimensions without brake.

<Cautions> Reduce the moment of inertia ratio if high speed response operation is required. Dimensions are subject to change without notice. Contact us or a dealer for the latest information. Read the Instruction Manual carefully and understand all precautions and remarks before using the products. Please avoid the motor, or equipment containing the motor to be distributed to Japan, or other regions through Japan.

• Please contact us for more information.

Specifications

		AC200 V
Motor model <sup>1)</sup>	IP67	<b>MHMF102L1</b> □□□ <b>M</b>
Applicable driver	Model No.	Multifunction type <b>MDDL45SF</b>
		RS485 communication type <sup>2)</sup> <b>MDDL45SG</b>
		Basic type <sup>2)</sup> <b>MDDL45SE</b>
	Frame symbol	D-frame
Power supply capacity	(kVA)	1.8
Rated output	(W)	1000
Rated torque	(N·m)	4.77
Continuous stall torque	(N·m)	5.25
Momentary Max. peak torque	(N·m)	14.3
Rated current	(A(rms))	5.2
Max. current	(A(o-p))	22
Regenerative brake frequency (times/min) <sup>Note)1</sup>	Without option	No limit <sup>Note)2</sup>
	DV0P4284	No limit <sup>Note)2</sup>
Rated rotational speed	(r/min)	2000
Max. rotational speed	(r/min)	3000
Moment of inertia of rotor (×10 <sup>-4</sup> kg·m <sup>2</sup> )	Without brake	22.9
	With brake	24.1
Recommended moment of inertia ratio of the load and the rotor	<sup>Note)3</sup>	5 times or less
Rotary encoder specifications <sup>3)</sup>		23-bit Absolute
	Resolution per single turn	8388608

• **Brake specifications** (For details, refer to P.167)  
(This brake will be released when it is energized.)  
(Do not use this for braking the motor in motion.)

Static friction torque (N·m)	13.7 or more
Engaging time (ms)	100 or less
Releasing time (ms) <sup>Note)4</sup>	50 or less
Exciting current (DC) (A)	0.79±10 %
Releasing voltage (DC) (V)	2 or more
Exciting voltage (DC) (V)	24±2.4

• **Permissible load** (For details, refer to P.166)

During assembly	Radial load P-direction (N)	980
	Thrust load A-direction (N)	588
	Thrust load B-direction (N)	686
During operation	Radial load P-direction (N)	490
	Thrust load A, B-direction (N)	196

• For details of Note)1 to Note)4, refer to P.165.  
• Dimensions of Driver, refer to P.48.

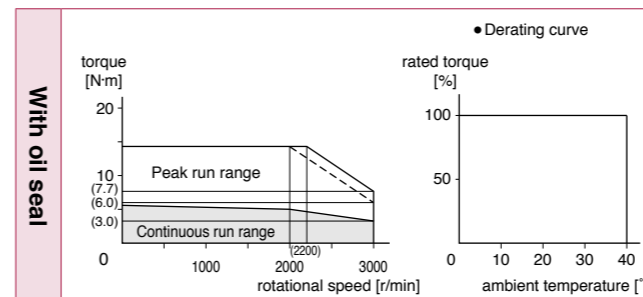
\*1 □□ in the motor part number represents the motor specifications.

\*2 Basic type and RS485 communication type are "Position control type".

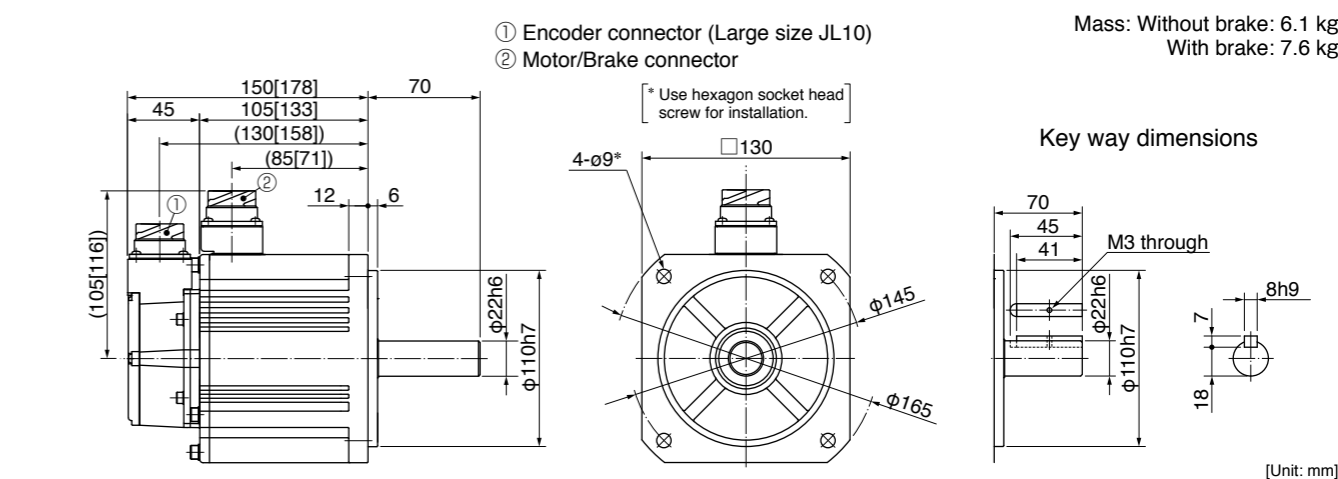
Detail of model designation, refer to P.116.

\*3 When using a rotary encoder as an incremental system (not using multi-turn data), do not connect a battery for absolute encoder.

Torque characteristics (at AC200 V of power voltage <Dotted line represents the torque at 10% less supply voltage.>)



Dimensions



• Figures in [ ] represent the dimensions with brake.

<Cautions> Reduce the moment of inertia ratio if high speed response operation is required. Dimensions are subject to change without notice. Contact us or a dealer for the latest information. Read the Instruction Manual carefully and understand all precautions and remarks before using the products. Please avoid the motor, or equipment containing the motor to be distributed to Japan, or other regions through Japan.



• Please contact us for more information.

Specifications

		AC200 V
Motor model <sup>1)</sup>	IP67	MHMF152L1□□M
Applicable driver	Model No.	Multifunction type MDDLTL55SF
		RS485 communication type <sup>2)</sup> MDDLNL55SG
		Basic type <sup>2)</sup> MDDLNL55SE
	Frame symbol	D-frame
Power supply capacity	(kVA)	2.3
Rated output	(W)	1500
Rated torque	(N·m)	7.16
Continuous stall torque	(N·m)	7.52
Momentary Max. peak torque	(N·m)	21.5
Rated current	(A(rms))	8.0
Max. current	(A(o-p))	34
Regenerative brake frequency (times/min) <sup>Note)1</sup>	Without option	No limit <sup>Note)2</sup>
	DV0P4284	No limit <sup>Note)2</sup>
Rated rotational speed	(r/min)	2000
Max. rotational speed	(r/min)	3000
Moment of inertia of rotor (×10 <sup>-4</sup> kg·m <sup>2</sup> )	Without brake	33.4
	With brake	34.6
Recommended moment of inertia ratio of the load and the rotor <sup>Note)3</sup>		5 times or less
Rotary encoder specifications <sup>3)</sup>		23-bit Absolute
	Resolution per single turn	8388608

• **Brake specifications** (For details, refer to P.167)  
(This brake will be released when it is energized.)  
(Do not use this for braking the motor in motion.)

Static friction torque (N·m)	13.7 or more
Engaging time (ms)	100 or less
Releasing time (ms) <sup>Note)4</sup>	50 or less
Exciting current (DC) (A)	0.79±10 %
Releasing voltage (DC) (V)	2 or more
Exciting voltage (DC) (V)	24±2.4

• **Permissible load** (For details, refer to P.166)

During assembly	Radial load P-direction (N)	980
	Thrust load A-direction (N)	588
	Thrust load B-direction (N)	686
During operation	Radial load P-direction (N)	490
	Thrust load A, B-direction (N)	196

• For details of Note)1 to Note)4, refer to P.165.  
• Dimensions of Driver, refer to P.48.

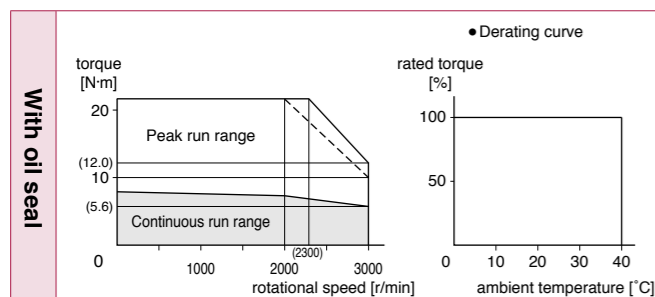
\*1 □□ in the motor part number represents the motor specifications.

\*2 Basic type and RS485 communication type are "Position control type".

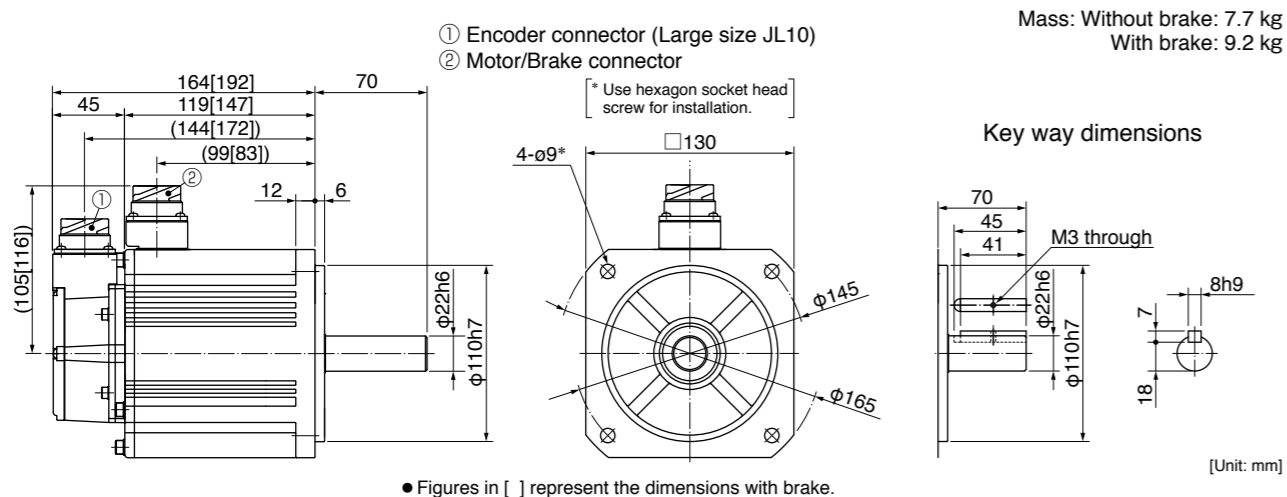
Detail of model designation, refer to P.116.

\*3 When using a rotary encoder as an incremental system (not using multi-turn data), do not connect a battery for absolute encoder.

Torque characteristics (at AC200 V of power voltage <Dotted line represents the torque at 10 % less supply voltage.>)



Dimensions



• Figures in [ ] represent the dimensions with brake.  
**<Cautions>** Reduce the moment of inertia ratio if high speed response operation is required. Dimensions are subject to change without notice. Contact us or a dealer for the latest information. Read the Instruction Manual carefully and understand all precautions and remarks before using the products. Please avoid the motor, or equipment containing the motor to be distributed to Japan, or other regions through Japan.

• Please contact us for more information.

Specifications

		AC200 V
Motor model <sup>1)</sup>	IP67	MHMF202L1□□M
Applicable driver	Model No.	Multifunction type MEDLT83SF
		RS485 communication type <sup>2)</sup> MEDLN83SG
		Basic type <sup>2)</sup> MEDLN83SE
	Frame symbol	E-frame
Power supply capacity	(kVA)	3.8
Rated output	(W)	2000
Rated torque	(N·m)	9.55
Continuous stall torque	(N·m)	11.5
Momentary Max. peak torque	(N·m)	28.6
Rated current	(A(rms))	12.5
Max. current	(A(o-p))	53
Regenerative brake frequency (times/min) <sup>Note)1</sup>	Without option	No limit <sup>Note)2</sup>
	DV0P4285	No limit <sup>Note)2</sup>
Rated rotational speed	(r/min)	2000
Max. rotational speed	(r/min)	3000
Moment of inertia of rotor (×10 <sup>-4</sup> kg·m <sup>2</sup> )	Without brake	55.7
	With brake	61.0
Recommended moment of inertia ratio of the load and the rotor <sup>Note)3</sup>		5 times or less
Rotary encoder specifications <sup>3)</sup>		23-bit Absolute
	Resolution per single turn	8388608

• **Brake specifications** (For details, refer to P.167)  
(This brake will be released when it is energized.)  
(Do not use this for braking the motor in motion.)

Static friction torque (N·m)	25.0 or more
Engaging time (ms)	80 or less
Releasing time (ms) <sup>Note)4</sup>	25 or less
Exciting current (DC) (A)	1.29±10 %
Releasing voltage (DC) (V)	2 or more
Exciting voltage (DC) (V)	24±2.4

• **Permissible load** (For details, refer to P.166)

During assembly	Radial load P-direction (N)	1666
	Thrust load A-direction (N)	784
	Thrust load B-direction (N)	980
During operation	Radial load P-direction (N)	784
	Thrust load A, B-direction (N)	343

• For details of Note)1 to Note)4, refer to P.165.  
• Dimensions of Driver, refer to P.49.

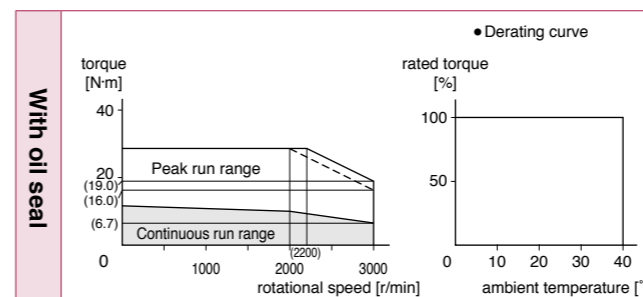
\*1 □□ in the motor part number represents the motor specifications.

\*2 Basic type and RS485 communication type are "Position control type".

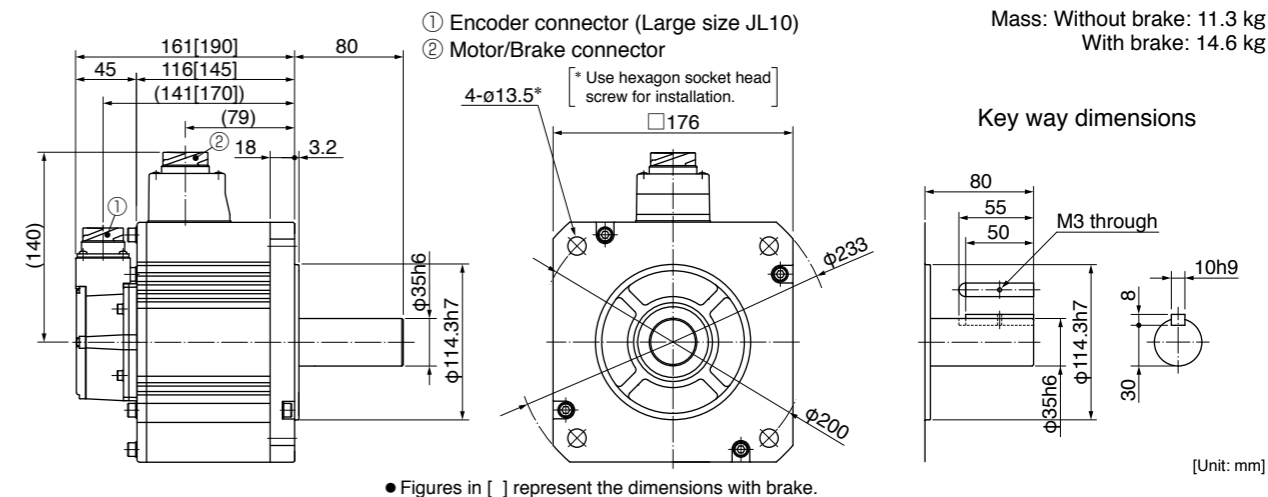
Detail of model designation, refer to P.116.

\*3 When using a rotary encoder as an incremental system (not using multi-turn data), do not connect a battery for absolute encoder.

Torque characteristics (at AC200 V of power voltage <Dotted line represents the torque at 10 % less supply voltage.>)



Dimensions



• Figures in [ ] represent the dimensions with brake.  
**<Cautions>** Reduce the moment of inertia ratio if high speed response operation is required. Dimensions are subject to change without notice. Contact us or a dealer for the latest information. Read the Instruction Manual carefully and understand all precautions and remarks before using the products. Please avoid the motor, or equipment containing the motor to be distributed to Japan, or other regions through Japan.

• Please contact us for more information.

Specifications

		AC200 V	
Motor model <sup>1)</sup>	IP67	MHMF302L1□□M	
Applicable driver	Model No.	Multifunction type	MFDLTA3SF
		RS485 communication type <sup>2)</sup>	MFDLNA3SG
		Basic type <sup>2)</sup>	MFDLNA3SE
	Frame symbol	F-frame	
Power supply capacity	(kVA)	4.5	
Rated output	(W)	3000	
Rated torque	(N·m)	14.3	
Continuous stall torque	(N·m)	17.2	
Momentary Max. peak torque	(N·m)	43.0	
Rated current	(A(rms))	17.0	
Max. current	(A(o-p))	72	
Regenerative brake frequency (times/min) <sup>Note)1</sup>	Without option	No limit <sup>Note)2</sup>	
	DV0P4285×2	No limit <sup>Note)2</sup>	
Rated rotational speed	(r/min)	2000	
Max. rotational speed	(r/min)	3000	
Moment of inertia of rotor (×10 <sup>-4</sup> kg·m <sup>2</sup> )	Without brake	85.3	
	With brake	90.7	
Recommended moment of inertia ratio of the load and the rotor <sup>Note)3</sup>		5 times or less	
Rotary encoder specifications <sup>3)</sup>		23-bit Absolute	
	Resolution per single turn	8388608	

• **Brake specifications** (For details, refer to P.167)  
(This brake will be released when it is energized.)  
(Do not use this for braking the motor in motion.)

Static friction torque (N·m)	25.0 or more
Engaging time (ms)	80 or less
Releasing time (ms) <sup>Note)4</sup>	25 or less
Exciting current (DC) (A)	1.29±10 %
Releasing voltage (DC) (V)	2 or more
Exciting voltage (DC) (V)	24±2.4

• **Permissible load** (For details, refer to P.166)

During assembly	Radial load P-direction (N)	1666
	Thrust load A-direction (N)	784
	Thrust load B-direction (N)	980
During operation	Radial load P-direction (N)	784
	Thrust load A, B-direction (N)	343

• For details of Note)1 to Note)4, refer to P.165.  
• Dimensions of Driver, refer to P.49.

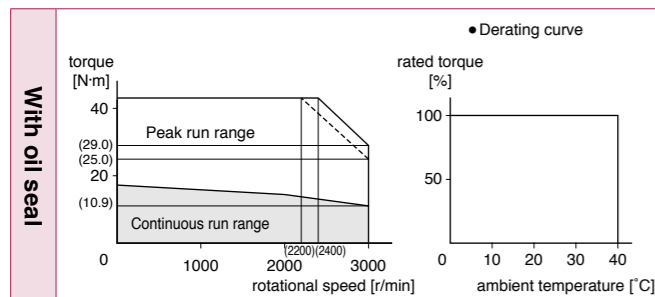
\*1 □□ in the motor part number represents the motor specifications.

\*2 Basic type and RS485 communication type are "Position control type".

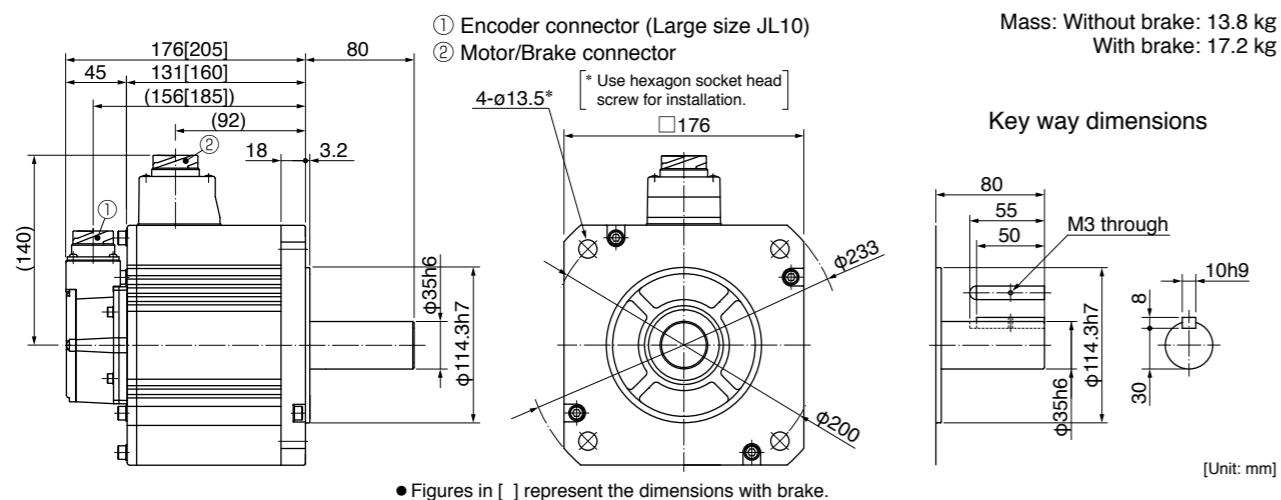
Detail of model designation, refer to P.116.

\*3 When using a rotary encoder as an incremental system (not using multi-turn data), do not connect a battery for absolute encoder.

Torque characteristics (at AC200 V of power voltage <Dotted line represents the torque at 10 % less supply voltage.>)



Dimensions



• Figures in [ ] represent the dimensions with brake.

<Cautions> Reduce the moment of inertia ratio if high speed response operation is required. Dimensions are subject to change without notice. Contact us or a dealer for the latest information. Read the Instruction Manual carefully and understand all precautions and remarks before using the products. Please avoid the motor, or equipment containing the motor to be distributed to Japan, or other regions through Japan.

• Please contact us for more information.

Specifications

		AC200 V	
Motor model <sup>1)</sup>	IP67	MHMF402L1□□M	
Applicable driver	Model No.	Multifunction type	MFDLTB3SF
		RS485 communication type <sup>2)</sup>	MFDLNB3SG
		Basic type <sup>2)</sup>	MFDLNB3SE
	Frame symbol	F-frame	
Power supply capacity	(kVA)	7.5	
Rated output	(W)	4000	
Rated torque	(N·m)	19.1	
Continuous stall torque	(N·m)	22.0	
Momentary Max. peak torque	(N·m)	57.3	
Rated current	(A(rms))	20	
Max. current	(A(o-p))	85	
Regenerative brake frequency (times/min) <sup>Note)1</sup>	Without option	No limit <sup>Note)2</sup>	
	DV0P4285×2	No limit <sup>Note)2</sup>	
Rated rotational speed	(r/min)	2000	
Max. rotational speed	(r/min)	3000	
Moment of inertia of rotor (×10 <sup>-4</sup> kg·m <sup>2</sup> )	Without brake	104	
	With brake	110	
Recommended moment of inertia ratio of the load and the rotor <sup>Note)3</sup>		5 times or less	
Rotary encoder specifications <sup>3)</sup>		23-bit Absolute	
	Resolution per single turn	8388608	

• **Brake specifications** (For details, refer to P.167)  
(This brake will be released when it is energized.)  
(Do not use this for braking the motor in motion.)

Static friction torque (N·m)	25.0 or more
Engaging time (ms)	80 or less
Releasing time (ms) <sup>Note)4</sup>	25 or less
Exciting current (DC) (A)	1.29±10 %
Releasing voltage (DC) (V)	2 or more
Exciting voltage (DC) (V)	24±2.4

• **Permissible load** (For details, refer to P.166)

During assembly	Radial load P-direction (N)	1666
	Thrust load A-direction (N)	784
	Thrust load B-direction (N)	980
During operation	Radial load P-direction (N)	784
	Thrust load A, B-direction (N)	343

• For details of Note)1 to Note)4, refer to P.165.  
• Dimensions of Driver, refer to P.49.

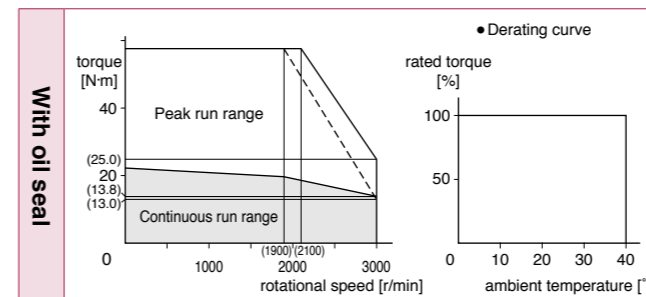
\*1 □□ in the motor part number represents the motor specifications.

\*2 Basic type and RS485 communication type are "Position control type".

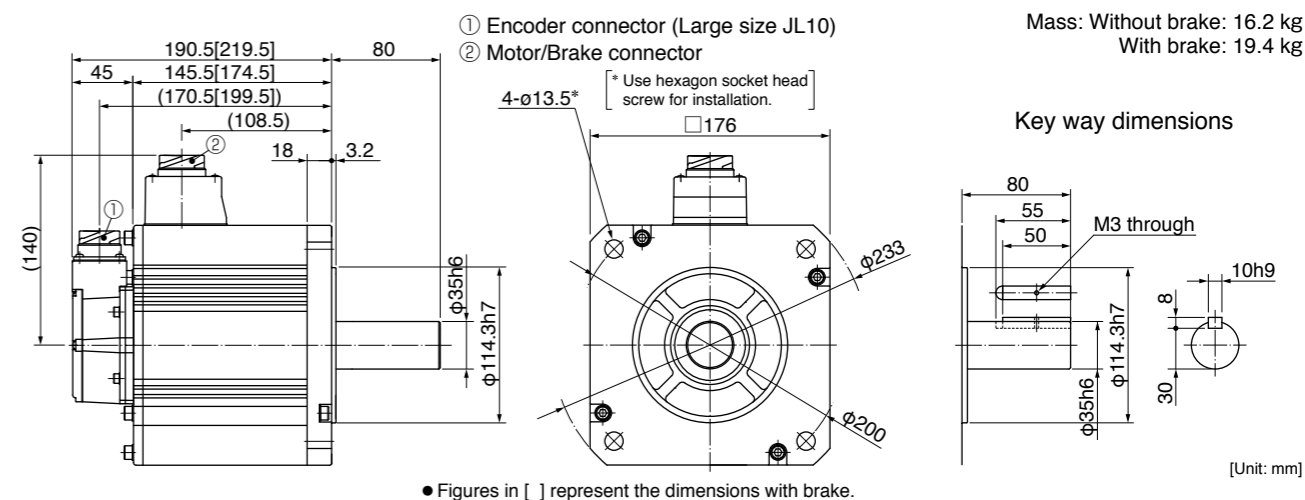
Detail of model designation, refer to P.116.

\*3 When using a rotary encoder as an incremental system (not using multi-turn data), do not connect a battery for absolute encoder.

Torque characteristics (at AC200 V of power voltage <Dotted line represents the torque at 10 % less supply voltage.>)



Dimensions



• Figures in [ ] represent the dimensions with brake.

<Cautions> Reduce the moment of inertia ratio if high speed response operation is required. Dimensions are subject to change without notice. Contact us or a dealer for the latest information. Read the Instruction Manual carefully and understand all precautions and remarks before using the products. Please avoid the motor, or equipment containing the motor to be distributed to Japan, or other regions through Japan.

\* Please contact us for more information.

Specifications

		AC200 V	
Motor model <sup>1)</sup>	IP67	MHMF502L1□□M	
Applicable driver	Model No.	Multifunction type	MFDLTB3SF
		RS485 communication type <sup>2)</sup>	MFDLNB3SG
		Basic type <sup>2)</sup>	MFDLNB3SE
	Frame symbol	F-frame	
Power supply capacity	(kVA)	7.5	
Rated output	(W)	5000	
Rated torque	(N·m)	23.9	
Continuous stall torque	(N·m)	26.3	
Momentary Max. peak torque	(N·m)	71.6	
Rated current	(A(rms))	23.3	
Max. current	(A(o-p))	99	
Regenerative brake frequency (times/min) <sup>Note)1</sup>	Without option	No limit <sup>Note)2</sup>	
	DV0P4285x2	No limit <sup>Note)2</sup>	
Rated rotational speed	(r/min)	2000	
Max. rotational speed	(r/min)	3000	
Moment of inertia of rotor (x10 <sup>-4</sup> kg·m <sup>2</sup> )	Without brake	146	
	With brake	151	
Recommended moment of inertia ratio of the load and the rotor <sup>Note)3</sup>		5 times or less	
Rotary encoder specifications <sup>3)</sup>		23-bit Absolute	
	Resolution per single turn	8388608	

• **Brake specifications** (For details, refer to P.167)  
(This brake will be released when it is energized.)  
(Do not use this for braking the motor in motion.)

Static friction torque (N·m)	44.1 or more
Engaging time (ms)	150 or less
Releasing time (ms) <sup>Note)4</sup>	30 or less
Exciting current (DC) (A)	1.29±10 %
Releasing voltage (DC) (V)	2 or more
Exciting voltage (DC) (V)	24±2.4

• **Permissible load** (For details, refer to P.166)

During assembly	Radial load P-direction (N)	1666
	Thrust load A-direction (N)	784
	Thrust load B-direction (N)	980
During operation	Radial load P-direction (N)	784
	Thrust load A, B-direction (N)	343

• For details of Note)1 to Note)4, refer to P.165.  
• Dimensions of Driver, refer to P.49.

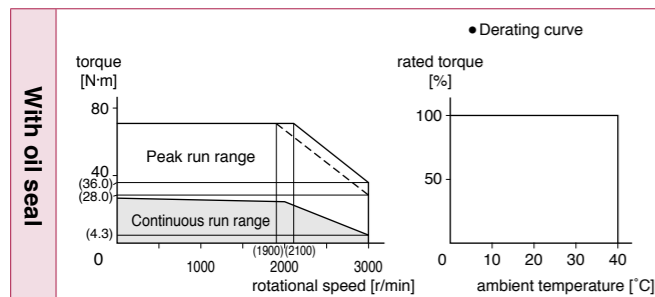
\*1 □□ in the motor part number represents the motor specifications.

\*2 Basic type and RS485 communication type are "Position control type".

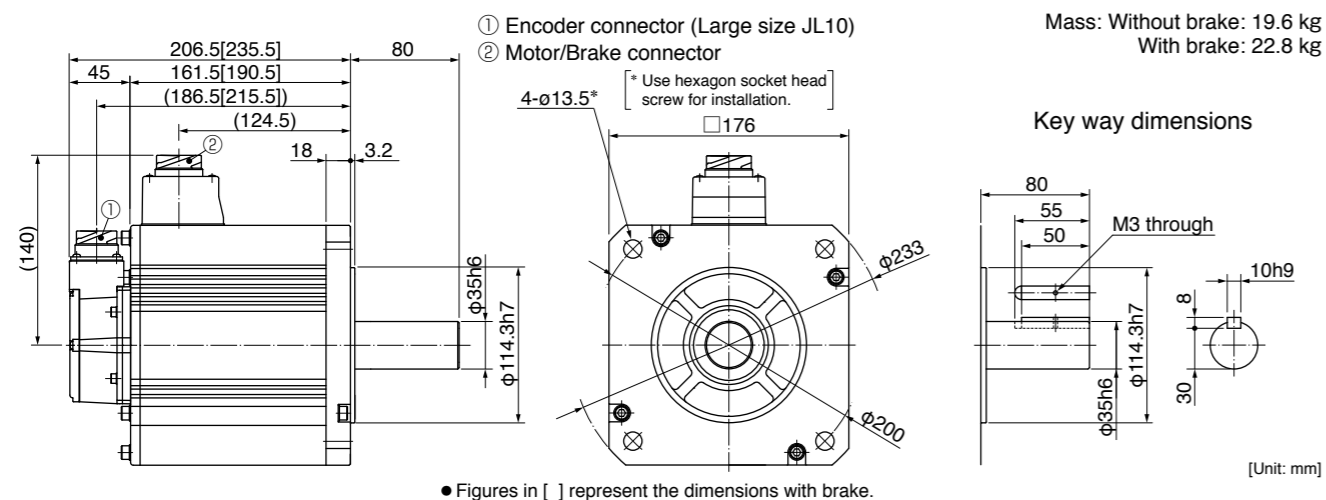
Detail of model designation, refer to P.116.

\*3 When using a rotary encoder as an incremental system (not using multi-turn data), do not connect a battery for absolute encoder.

Torque characteristics (at AC200 V of power voltage <Dotted line represents the torque at 10 % less supply voltage.>)



Dimensions



• Figures in [ ] represent the dimensions with brake.  
**<Cautions>** Reduce the moment of inertia ratio if high speed response operation is required. Dimensions are subject to change without notice. Contact us or a dealer for the latest information. Read the Instruction Manual carefully and understand all precautions and remarks before using the products. Please avoid the motor, or equipment containing the motor to be distributed to Japan, or other regions through Japan.

\* Please contact us for more information.

Specifications

		AC200 V	
Motor model <sup>1)</sup>	IP67	MDMF102L1□□M	
Applicable driver	Model No.	Multifunction type	MDDL45SF
		RS485 communication type <sup>2)</sup>	MDDL45SG
		Basic type <sup>2)</sup>	MDDL45SE
	Frame symbol	D-frame	
Power supply capacity	(kVA)	1.8	
Rated output	(W)	1000	
Rated torque	(N·m)	4.77	
Continuous stall torque	(N·m)	5.25	
Momentary Max. peak torque	(N·m)	14.3	
Rated current	(A(rms))	5.2	
Max. current	(A(o-p))	22	
Regenerative brake frequency (times/min) <sup>Note)1</sup>	Without option	No limit <sup>Note)2</sup>	
	DV0P4284	No limit <sup>Note)2</sup>	
Rated rotational speed	(r/min)	2000	
Max. rotational speed	(r/min)	3000	
Moment of inertia of rotor (x10 <sup>-4</sup> kg·m <sup>2</sup> )	Without brake	6.18	
	With brake	7.40	
Recommended moment of inertia ratio of the load and the rotor <sup>Note)3</sup>		10 times or less	
Rotary encoder specifications <sup>3)</sup>		23-bit Absolute	
	Resolution per single turn	8388608	

• **Brake specifications** (For details, refer to P.167)  
(This brake will be released when it is energized.)  
(Do not use this for braking the motor in motion.)

Static friction torque (N·m)	13.7 or more
Engaging time (ms)	100 or less
Releasing time (ms) <sup>Note)4</sup>	50 or less
Exciting current (DC) (A)	0.79±10 %
Releasing voltage (DC) (V)	2 or more
Exciting voltage (DC) (V)	24±2.4

• **Permissible load** (For details, refer to P.166)

During assembly	Radial load P-direction (N)	980
	Thrust load A-direction (N)	588
	Thrust load B-direction (N)	686
During operation	Radial load P-direction (N)	490
	Thrust load A, B-direction (N)	196

• For details of Note)1 to Note)4, refer to P.165.  
• Dimensions of Driver, refer to P.48.

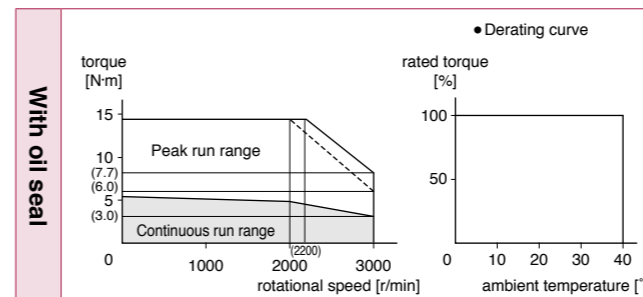
\*1 □□ in the motor part number represents the motor specifications.

\*2 Basic type and RS485 communication type are "Position control type".

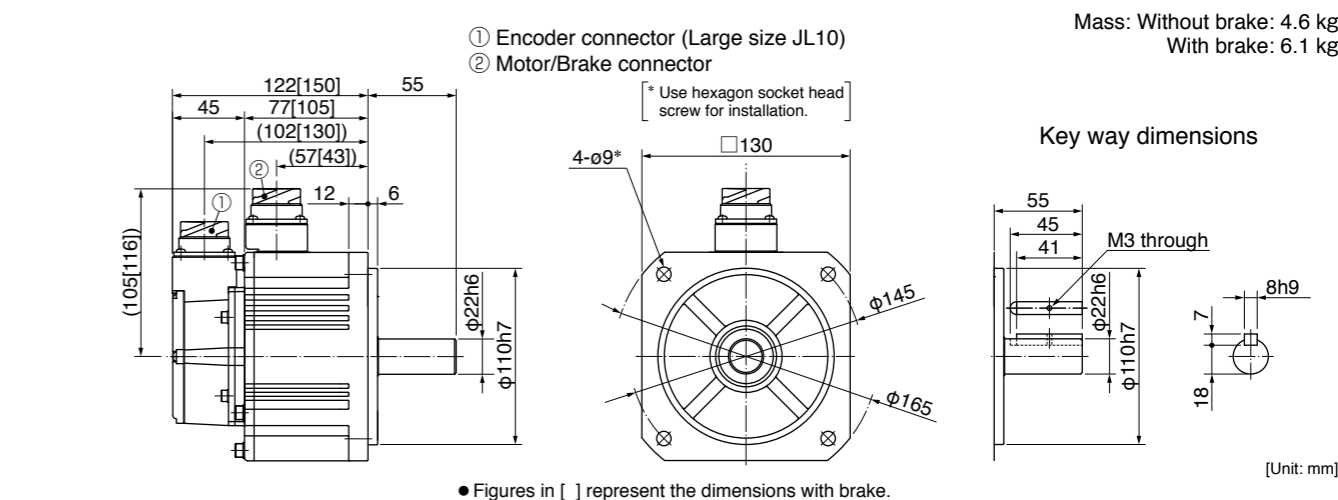
Detail of model designation, refer to P.116.

\*3 When using a rotary encoder as an incremental system (not using multi-turn data), do not connect a battery for absolute encoder.

Torque characteristics (at AC200 V of power voltage <Dotted line represents the torque at 10 % less supply voltage.>)



Dimensions



• Figures in [ ] represent the dimensions with brake.  
**<Cautions>** Reduce the moment of inertia ratio if high speed response operation is required. Dimensions are subject to change without notice. Contact us or a dealer for the latest information. Read the Instruction Manual carefully and understand all precautions and remarks before using the products. Please avoid the motor, or equipment containing the motor to be distributed to Japan, or other regions through Japan.

• Please contact us for more information.

Specifications

		AC200 V
Motor model <sup>1)</sup>	IP67	MDMF152L1□□M
Applicable driver	Model No.	Multifunction type MDDLTL55SF
		RS485 communication type <sup>2)</sup> MDDLNL55SG
		Basic type <sup>2)</sup> MDDLNL55SE
	Frame symbol	D-frame
Power supply capacity	(kVA)	2.3
Rated output	(W)	1500
Rated torque	(N·m)	7.16
Continuous stall torque	(N·m)	7.52
Momentary Max. peak torque	(N·m)	21.5
Rated current	(A(rms))	8.0
Max. current	(A(o-p))	34
Regenerative brake frequency (times/min) <sup>Note)1</sup>	Without option	No limit <sup>Note)2</sup>
	DV0P4284	No limit <sup>Note)2</sup>
Rated rotational speed	(r/min)	2000
Max. rotational speed	(r/min)	3000
Moment of inertia of rotor (×10 <sup>-4</sup> kg·m <sup>2</sup> )	Without brake	9.16
	With brake	10.4
Recommended moment of inertia ratio of the load and the rotor <sup>Note)3</sup>		10 times or less
Rotary encoder specifications <sup>3)</sup>		23-bit Absolute
	Resolution per single turn	8388608

• **Brake specifications** (For details, refer to P.167)  
(This brake will be released when it is energized.)  
(Do not use this for braking the motor in motion.)

Static friction torque (N·m)	13.7 or more
Engaging time (ms)	100 or less
Releasing time (ms) <sup>Note)4</sup>	50 or less
Exciting current (DC) (A)	0.79±10 %
Releasing voltage (DC) (V)	2 or more
Exciting voltage (DC) (V)	24±2.4

• **Permissible load** (For details, refer to P.166)

During assembly	Radial load P-direction (N)	980
	Thrust load A-direction (N)	588
	Thrust load B-direction (N)	686
During operation	Radial load P-direction (N)	490
	Thrust load A, B-direction (N)	196

• For details of Note)1 to Note)4, refer to P.165.  
• Dimensions of Driver, refer to P.48.

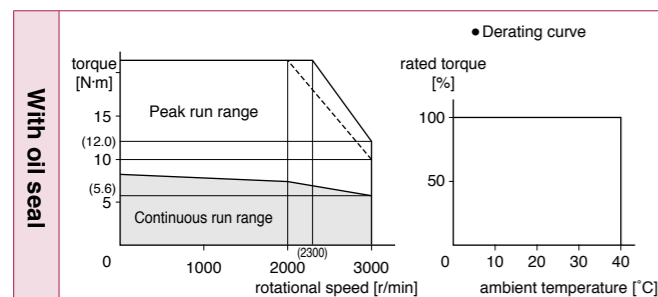
\*1 □□ in the motor part number represents the motor specifications.

\*2 Basic type and RS485 communication type are "Position control type".

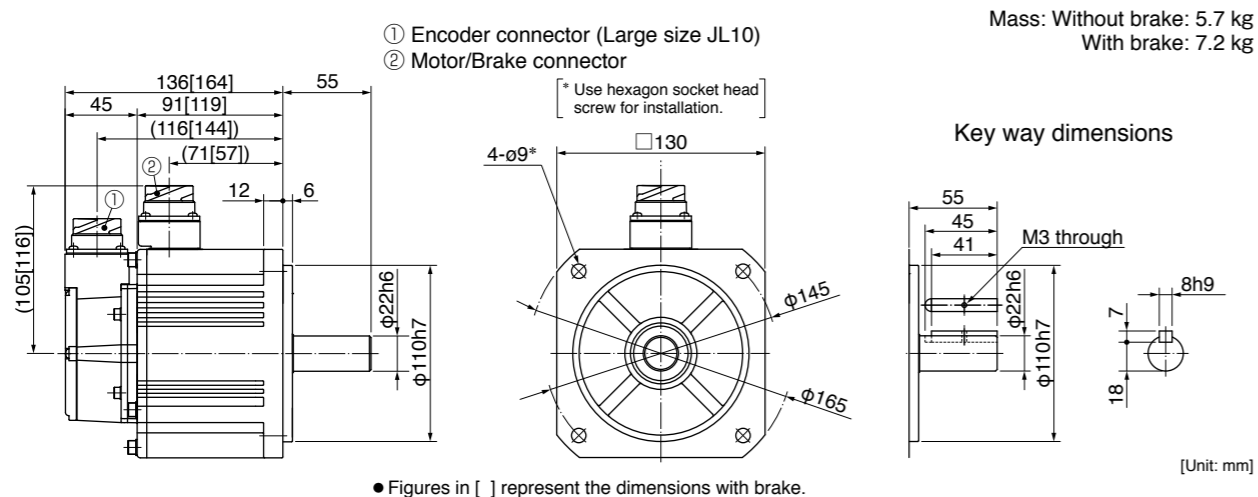
Detail of model designation, refer to P.116.

\*3 When using a rotary encoder as an incremental system (not using multi-turn data), do not connect a battery for absolute encoder.

Torque characteristics (at AC200 V of power voltage <Dotted line represents the torque at 10 % less supply voltage.>)



Dimensions



• Figures in [ ] represent the dimensions with brake.  
**<Cautions>** Reduce the moment of inertia ratio if high speed response operation is required. Dimensions are subject to change without notice. Contact us or a dealer for the latest information. Read the Instruction Manual carefully and understand all precautions and remarks before using the products. Please avoid the motor, or equipment containing the motor to be distributed to Japan, or other regions through Japan.

• Please contact us for more information.

Specifications

		AC200 V
Motor model <sup>1)</sup>	IP67	MDMF202L1□□M
Applicable driver	Model No.	Multifunction type MEDLT83SF
		RS485 communication type <sup>2)</sup> MEDLN83SG
		Basic type <sup>2)</sup> MEDLN83SE
	Frame symbol	E-frame
Power supply capacity	(kVA)	3.8
Rated output	(W)	2000
Rated torque	(N·m)	9.55
Continuous stall torque	(N·m)	10.0
Momentary Max. peak torque	(N·m)	28.6
Rated current	(A(rms))	9.9
Max. current	(A(o-p))	42
Regenerative brake frequency (times/min) <sup>Note)1</sup>	Without option	No limit <sup>Note)2</sup>
	DV0P4285	No limit <sup>Note)2</sup>
Rated rotational speed	(r/min)	2000
Max. rotational speed	(r/min)	3000
Moment of inertia of rotor (×10 <sup>-4</sup> kg·m <sup>2</sup> )	Without brake	12.1
	With brake	13.3
Recommended moment of inertia ratio of the load and the rotor <sup>Note)3</sup>		10 times or less
Rotary encoder specifications <sup>3)</sup>		23-bit Absolute
	Resolution per single turn	8388608

• **Brake specifications** (For details, refer to P.167)  
(This brake will be released when it is energized.)  
(Do not use this for braking the motor in motion.)

Static friction torque (N·m)	13.7 or more
Engaging time (ms)	100 or less
Releasing time (ms) <sup>Note)4</sup>	50 or less
Exciting current (DC) (A)	0.79±10 %
Releasing voltage (DC) (V)	2 or more
Exciting voltage (DC) (V)	24±2.4

• **Permissible load** (For details, refer to P.166)

During assembly	Radial load P-direction (N)	980
	Thrust load A-direction (N)	588
	Thrust load B-direction (N)	686
During operation	Radial load P-direction (N)	490
	Thrust load A, B-direction (N)	196

• For details of Note)1 to Note)4, refer to P.165.  
• Dimensions of Driver, refer to P.49.

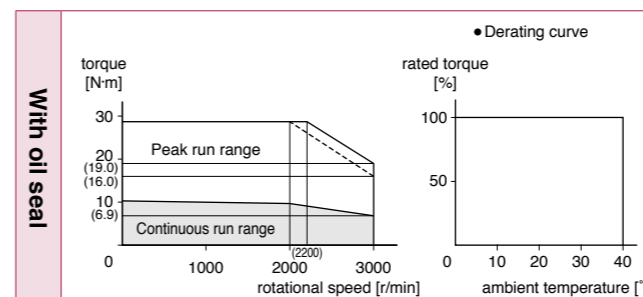
\*1 □□ in the motor part number represents the motor specifications.

\*2 Basic type and RS485 communication type are "Position control type".

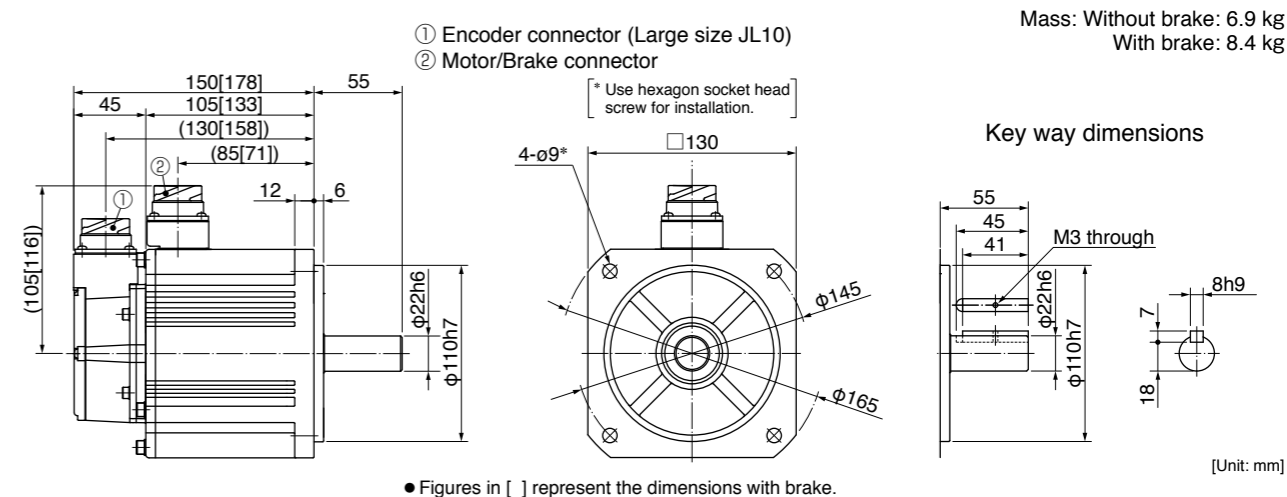
Detail of model designation, refer to P.116.

\*3 When using a rotary encoder as an incremental system (not using multi-turn data), do not connect a battery for absolute encoder.

Torque characteristics (at AC200 V of power voltage <Dotted line represents the torque at 10 % less supply voltage.>)



Dimensions



• Figures in [ ] represent the dimensions with brake.  
**<Cautions>** Reduce the moment of inertia ratio if high speed response operation is required. Dimensions are subject to change without notice. Contact us or a dealer for the latest information. Read the Instruction Manual carefully and understand all precautions and remarks before using the products. Please avoid the motor, or equipment containing the motor to be distributed to Japan, or other regions through Japan.

\* Please contact us for more information.

Specifications

		AC200 V
Motor model <sup>1)</sup>	IP67	MDMF302L1□□M
Applicable driver	Model No.	Multifunction type MFDLTA3SF
		RS485 communication type <sup>2)</sup> MFDLNA3SG
		Basic type <sup>2)</sup> MFDLNA3SE
	Frame symbol	F-frame
Power supply capacity	(kVA)	4.5
Rated output	(W)	3000
Rated torque	(N·m)	14.3
Continuous stall torque	(N·m)	15.0
Momentary Max. peak torque	(N·m)	43.0
Rated current	(A(rms))	16.4
Max. current	(A(o-p))	70
Regenerative brake frequency (times/min) <sup>Note)1</sup>	Without option	No limit <sup>Note)2</sup>
	DV0P4285×2	No limit <sup>Note)2</sup>
Rated rotational speed	(r/min)	2000
Max. rotational speed	(r/min)	3000
Moment of inertia of rotor (×10 <sup>-4</sup> kg·m <sup>2</sup> )	Without brake	18.6
	With brake	19.6
Recommended moment of inertia ratio of the load and the rotor <sup>Note)3</sup>		10 times or less
Rotary encoder specifications <sup>3)</sup>		23-bit Absolute
	Resolution per single turn	8388608

• Brake specifications (For details, refer to P.167)

(This brake will be released when it is energized.)  
(Do not use this for braking the motor in motion.)

Static friction torque (N·m)	22.0 or more
Engaging time (ms)	110 or less
Releasing time (ms) <sup>Note)4</sup>	50 or less
Exciting current (DC) (A)	0.90±10 %
Releasing voltage (DC) (V)	2 or more
Exciting voltage (DC) (V)	24±2.4

• Permissible load (For details, refer to P.166)

During assembly	Radial load P-direction (N)	980
	Thrust load A-direction (N)	588
	Thrust load B-direction (N)	686
During operation	Radial load P-direction (N)	784
	Thrust load A, B-direction (N)	343

• For details of Note)1 to Note)4, refer to P.165.

• Dimensions of Driver, refer to P.49.

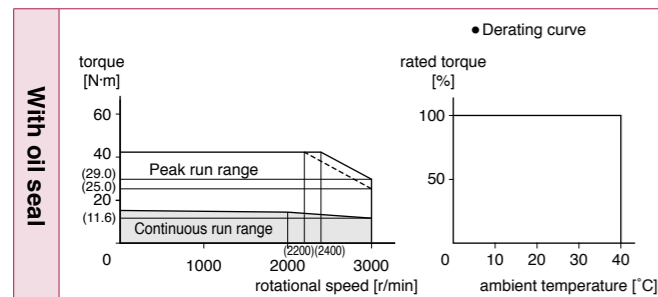
\*1 □□ in the motor part number represents the motor specifications.

\*2 Basic type and RS485 communication type are "Position control type".

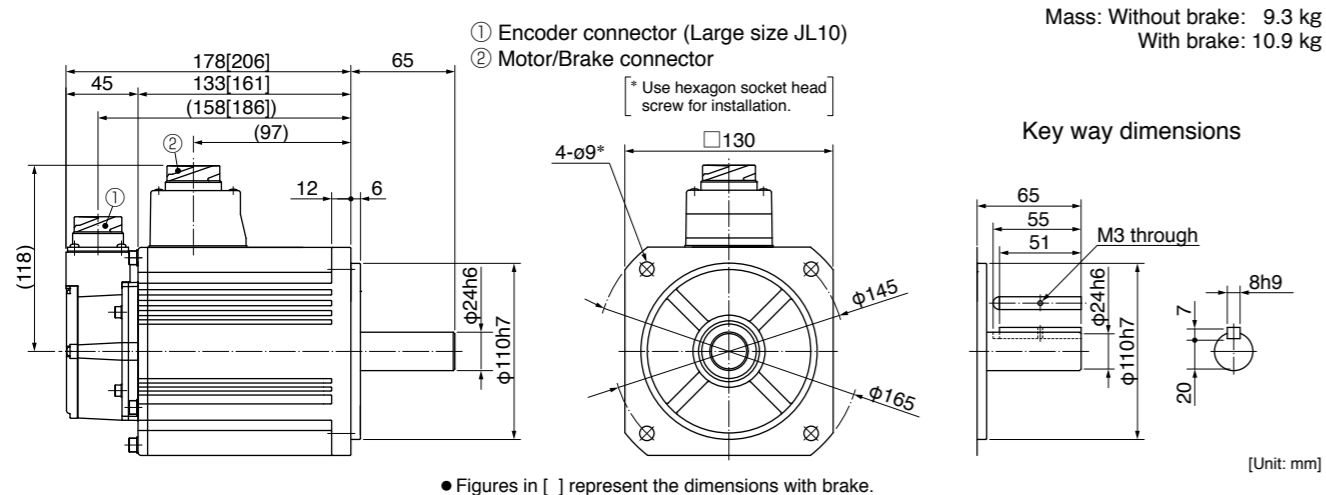
Detail of model designation, refer to P.116.

\*3 When using a rotary encoder as an incremental system (not using multi-turn data), do not connect a battery for absolute encoder.

Torque characteristics (at AC200 V of power voltage <Dotted line represents the torque at 10 % less supply voltage.>)



Dimensions



**<Cautions>** Reduce the moment of inertia ratio if high speed response operation is required. Dimensions are subject to change without notice. Contact us or a dealer for the latest information. Read the Instruction Manual carefully and understand all precautions and remarks before using the products. Please avoid the motor, or equipment containing the motor to be distributed to Japan, or other regions through Japan.

\* Please contact us for more information.

Specifications

		AC200 V
Motor model <sup>1)</sup>	IP67	MDMF402L1□□M
Applicable driver	Model No.	Multifunction type MFDLTB3SF
		RS485 communication type <sup>2)</sup> MFDLNB3SG
		Basic type <sup>2)</sup> MFDLNB3SE
	Frame symbol	F-frame
Power supply capacity	(kVA)	7.5
Rated output	(W)	4000
Rated torque	(N·m)	19.1
Continuous stall torque	(N·m)	22.0
Momentary Max. peak torque	(N·m)	57.3
Rated current	(A(rms))	20.0
Max. current	(A(o-p))	85
Regenerative brake frequency (times/min) <sup>Note)1</sup>	Without option	No limit <sup>Note)2</sup>
	DV0P4285×2	No limit <sup>Note)2</sup>
Rated rotational speed	(r/min)	2000
Max. rotational speed	(r/min)	3000
Moment of inertia of rotor (×10 <sup>-4</sup> kg·m <sup>2</sup> )	Without brake	46.9
	With brake	52.3
Recommended moment of inertia ratio of the load and the rotor <sup>Note)3</sup>		10 times or less
Rotary encoder specifications <sup>3)</sup>		23-bit Absolute
	Resolution per single turn	8388608

• Brake specifications (For details, refer to P.167)

(This brake will be released when it is energized.)  
(Do not use this for braking the motor in motion.)

Static friction torque (N·m)	25.0 or more
Engaging time (ms)	80 or less
Releasing time (ms) <sup>Note)4</sup>	25 or less
Exciting current (DC) (A)	1.29±10 %
Releasing voltage (DC) (V)	2 or more
Exciting voltage (DC) (V)	24±2.4

• Permissible load (For details, refer to P.166)

During assembly	Radial load P-direction (N)	1666
	Thrust load A-direction (N)	784
	Thrust load B-direction (N)	980
During operation	Radial load P-direction (N)	784
	Thrust load A, B-direction (N)	343

• For details of Note)1 to Note)4, refer to P.165.

• Dimensions of Driver, refer to P.49.

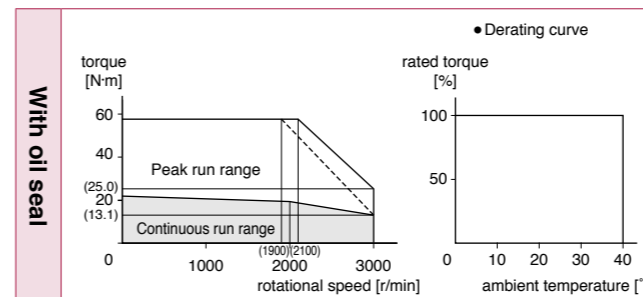
\*1 □□ in the motor part number represents the motor specifications.

\*2 Basic type and RS485 communication type are "Position control type".

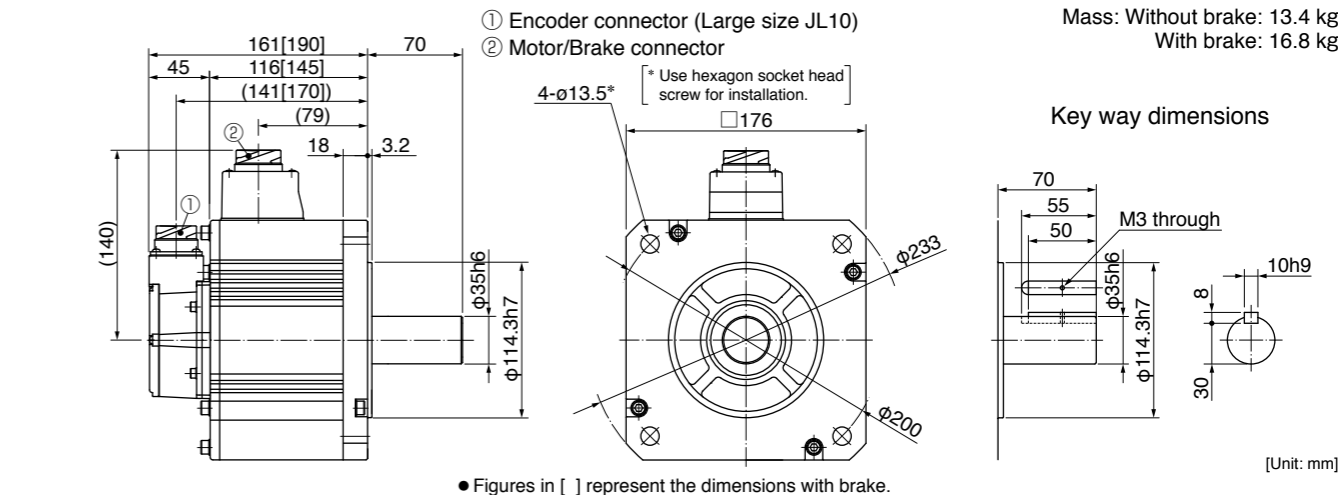
Detail of model designation, refer to P.116.

\*3 When using a rotary encoder as an incremental system (not using multi-turn data), do not connect a battery for absolute encoder.

Torque characteristics (at AC200 V of power voltage <Dotted line represents the torque at 10 % less supply voltage.>)



Dimensions



**<Cautions>** Reduce the moment of inertia ratio if high speed response operation is required. Dimensions are subject to change without notice. Contact us or a dealer for the latest information. Read the Instruction Manual carefully and understand all precautions and remarks before using the products. Please avoid the motor, or equipment containing the motor to be distributed to Japan, or other regions through Japan.

\* Please contact us for more information.

Specifications

		AC200 V
Motor model <sup>1)</sup>	IP67	MDMF502L1□□M
Applicable driver	Model No.	Multifunction type MFDLTB3SF
		RS485 communication type <sup>2)</sup> MFDLNB3SG
		Basic type <sup>2)</sup> MFDLNB3SE
	Frame symbol	F-frame
Power supply capacity	(kVA)	7.5
Rated output	(W)	5000
Rated torque	(N·m)	23.9
Continuous stall torque	(N·m)	26.3
Momentary Max. peak torque	(N·m)	71.6
Rated current	(A(rms))	23.3
Max. current	(A(o-p))	99
Regenerative brake frequency (times/min) <sup>Note)1</sup>	Without option	No limit <sup>Note)2</sup>
	DV0P4285×2	No limit <sup>Note)2</sup>
Rated rotational speed	(r/min)	2000
Max. rotational speed	(r/min)	3000
Moment of inertia of rotor (×10 <sup>-4</sup> kg·m <sup>2</sup> )	Without brake	58.2
	With brake	63.0
Recommended moment of inertia ratio of the load and the rotor <sup>Note)3</sup>		10 times or less
Rotary encoder specifications <sup>3)</sup>		23-bit Absolute
	Resolution per single turn	8388608

• **Brake specifications** (For details, refer to P.167)  
(This brake will be released when it is energized.)  
(Do not use this for braking the motor in motion.)

Static friction torque (N·m)	44.1 or more
Engaging time (ms)	150 or less
Releasing time (ms) <sup>Note)4</sup>	30 or less
Exciting current (DC) (A)	1.29±10 %
Releasing voltage (DC) (V)	2 or more
Exciting voltage (DC) (V)	24±2.4

• **Permissible load** (For details, refer to P.166)

During assembly	Radial load P-direction (N)	1666
	Thrust load A-direction (N)	784
	Thrust load B-direction (N)	980
During operation	Radial load P-direction (N)	784
	Thrust load A, B-direction (N)	343

• For details of Note)1 to Note)4, refer to P.165.  
• Dimensions of Driver, refer to P.49.

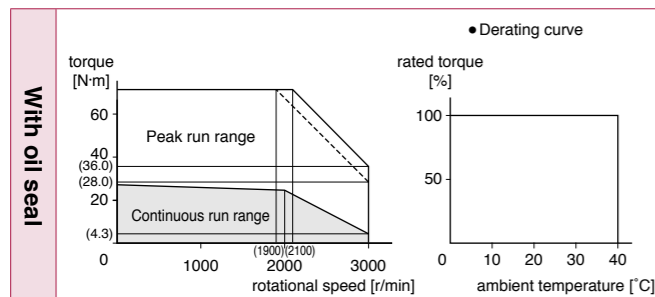
\*1 □□ in the motor part number represents the motor specifications.

\*2 Basic type and RS485 communication type are "Position control type".

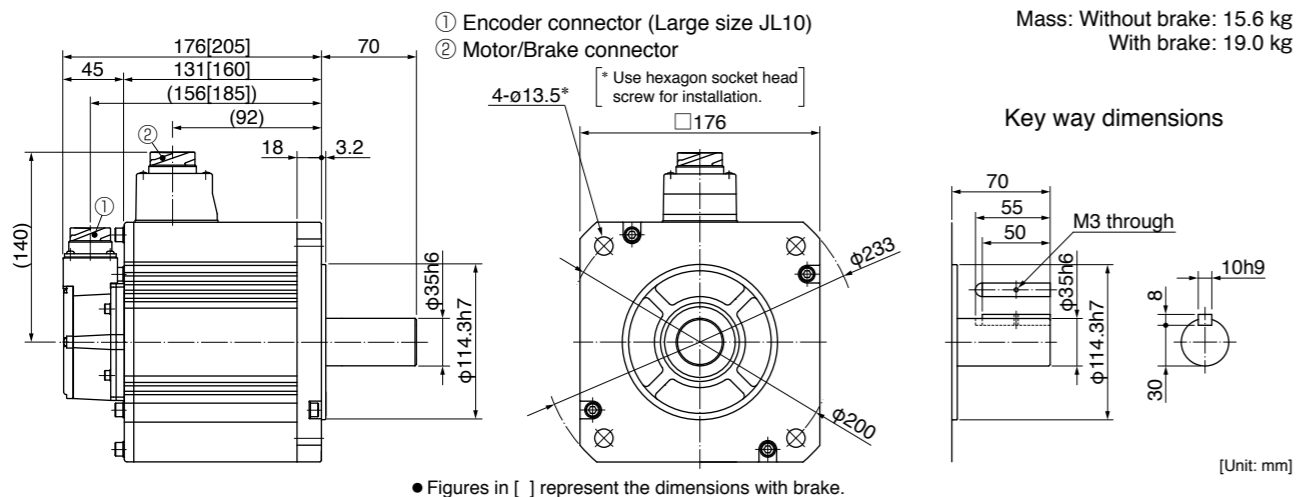
Detail of model designation, refer to P.116.

\*3 When using a rotary encoder as an incremental system (not using multi-turn data), do not connect a battery for absolute encoder.

Torque characteristics (at AC200 V of power voltage <Dotted line represents the torque at 10 % less supply voltage.>)



Dimensions



• Figures in [ ] represent the dimensions with brake.  
**<Cautions>** Reduce the moment of inertia ratio if high speed response operation is required. Dimensions are subject to change without notice. Contact us or a dealer for the latest information. Read the Instruction Manual carefully and understand all precautions and remarks before using the products. Please avoid the motor, or equipment containing the motor to be distributed to Japan, or other regions through Japan.

\* Please contact us for more information.

Specifications

		AC200 V
Motor model <sup>1)</sup>	IP67	MGMF092L1□□M
Applicable driver	Model No.	Multifunction type MDDL45SF
		RS485 communication type <sup>2)</sup> MDDL45SG
		Basic type <sup>2)</sup> MDDL45SE
	Frame symbol	D-frame
Power supply capacity	(kVA)	1.8
Rated output	(W)	850
Rated torque	(N·m)	5.41
Continuous stall torque	(N·m)	5.41
Momentary Max. peak torque	(N·m)	14.3
Rated current	(A(rms))	5.9
Max. current	(A(o-p))	22
Regenerative brake frequency (times/min) <sup>Note)1</sup>	Without option	No limit <sup>Note)2</sup>
	DV0P4284	No limit <sup>Note)2</sup>
Rated rotational speed	(r/min)	1500
Max. rotational speed	(r/min)	3000
Moment of inertia of rotor (×10 <sup>-4</sup> kg·m <sup>2</sup> )	Without brake	6.18
	With brake	7.40
Recommended moment of inertia ratio of the load and the rotor <sup>Note)3</sup>		10 times or less
Rotary encoder specifications <sup>3)</sup>		23-bit Absolute
	Resolution per single turn	8388608

• **Brake specifications** (For details, refer to P.167)  
(This brake will be released when it is energized.)  
(Do not use this for braking the motor in motion.)

Static friction torque (N·m)	13.7 or more
Engaging time (ms)	100 or less
Releasing time (ms) <sup>Note)4</sup>	50 or less
Exciting current (DC) (A)	0.79±10 %
Releasing voltage (DC) (V)	2 or more
Exciting voltage (DC) (V)	24±2.4

• **Permissible load** (For details, refer to P.166)

During assembly	Radial load P-direction (N)	980
	Thrust load A-direction (N)	588
	Thrust load B-direction (N)	686
During operation	Radial load P-direction (N)	686
	Thrust load A, B-direction (N)	196

• For details of Note)1 to Note)4, refer to P.165.  
• Dimensions of Driver, refer to P.48.

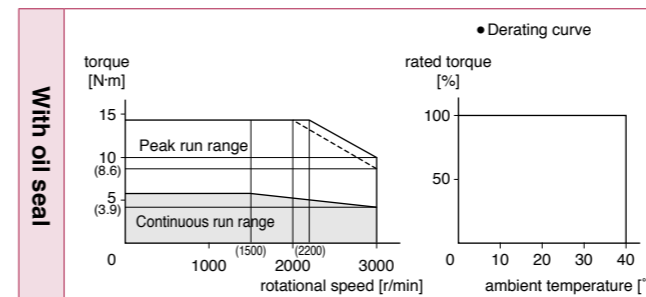
\*1 □□ in the motor part number represents the motor specifications.

\*2 Basic type and RS485 communication type are "Position control type".

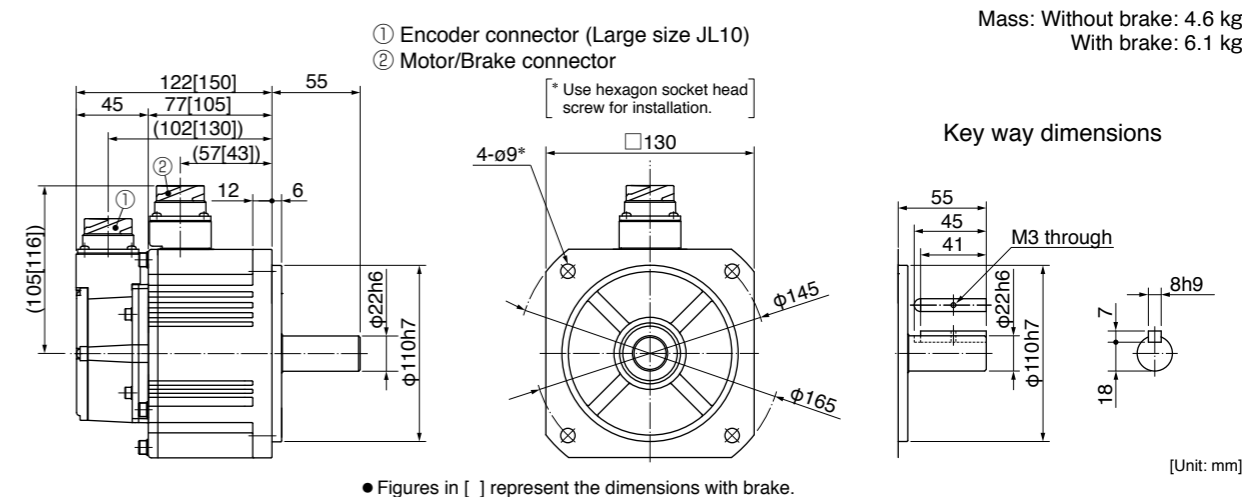
Detail of model designation, refer to P.116.

\*3 When using a rotary encoder as an incremental system (not using multi-turn data), do not connect a battery for absolute encoder.

Torque characteristics (at AC200 V of power voltage <Dotted line represents the torque at 10 % less supply voltage.>)



Dimensions



• Figures in [ ] represent the dimensions with brake.  
**<Cautions>** Reduce the moment of inertia ratio if high speed response operation is required. Dimensions are subject to change without notice. Contact us or a dealer for the latest information. Read the Instruction Manual carefully and understand all precautions and remarks before using the products. Please avoid the motor, or equipment containing the motor to be distributed to Japan, or other regions through Japan.

• Please contact us for more information.

**Specifications**

		AC200 V	
Motor model <sup>1)</sup>	IP67	<b>MGMF132L1□□M</b>	
Applicable driver	Model No.	Multifunction type	<b>MDDL55SF</b>
		RS485 communication type <sup>2)</sup>	<b>MDDL55SG</b>
		Basic type <sup>2)</sup>	<b>MDDL55SE</b>
	Frame symbol	D-frame	
Power supply capacity	(kVA)	2.3	
Rated output	(W)	1300	
Rated torque	(N·m)	8.28	
Continuous stall torque	(N·m)	8.28	
Momentary Max. peak torque	(N·m)	23.3	
Rated current	(A(rms))	9.3	
Max. current	(A(o-p))	37	
Regenerative brake frequency (times/min) <sup>Note)1</sup>	Without option	No limit <sup>Note)2</sup>	
	DV0P4284	No limit <sup>Note)2</sup>	
Rated rotational speed	(r/min)	1500	
Max. rotational speed	(r/min)	3000	
Moment of inertia of rotor (×10 <sup>-4</sup> kg·m <sup>2</sup> )	Without brake	9.16	
	With brake	10.4	
Recommended moment of inertia ratio of the load and the rotor <sup>Note)3</sup>		10 times or less	
Rotary encoder specifications <sup>3)</sup>		23-bit Absolute	
	Resolution per single turn	8388608	

• **Brake specifications** (For details, refer to P.167)  
(This brake will be released when it is energized.)  
(Do not use this for braking the motor in motion.)

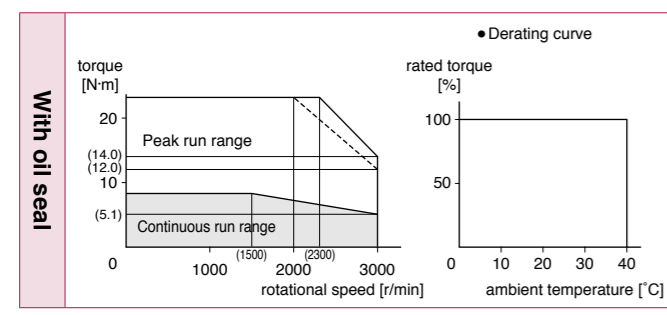
Static friction torque (N·m)	13.7 or more
Engaging time (ms)	100 or less
Releasing time (ms) <sup>Note)4</sup>	50 or less
Exciting current (DC) (A)	0.79±10 %
Releasing voltage (DC) (V)	2 or more
Exciting voltage (DC) (V)	24±2.4

• **Permissible load** (For details, refer to P.166)

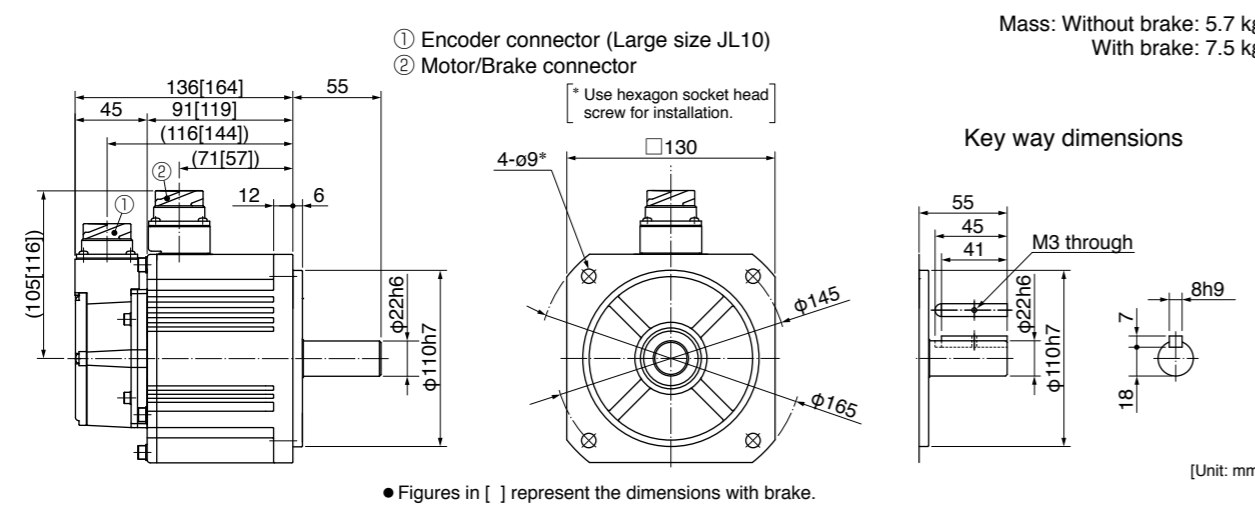
During assembly	Radial load P-direction (N)	980
	Thrust load A-direction (N)	588
	Thrust load B-direction (N)	686
During operation	Radial load P-direction (N)	686
	Thrust load A, B-direction (N)	196

- For details of Note)1 to Note)4, refer to P.165.
- Dimensions of Driver, refer to P.48.
- \*1 □□ in the motor part number represents the motor specifications.
- \*2 Basic type and RS485 communication type are "Position control type".  
Detail of model designation, refer to P.116.
- \*3 When using a rotary encoder as an incremental system (not using multi-turn data), do not connect a battery for absolute encoder.

**Torque characteristics (at AC200 V of power voltage <Dotted line represents the torque at 10 % less supply voltage.>)**



**Dimensions**



• Figures in [ ] represent the dimensions with brake.  
**<Cautions>** Reduce the moment of inertia ratio if high speed response operation is required. Dimensions are subject to change without notice. Contact us or a dealer for the latest information. Read the Instruction Manual carefully and understand all precautions and remarks before using the products. Please avoid the motor, or equipment containing the motor to be distributed to Japan, or other regions through Japan.

• Please contact us for more information.

**Specifications**

		AC200 V	
Motor model <sup>1)</sup>	IP67	<b>MGMF182L1□□M</b>	
Applicable driver	Model No.	Multifunction type	<b>MEDLT83SF</b>
		RS485 communication type <sup>2)</sup>	<b>MEDLN83SG</b>
		Basic type <sup>2)</sup>	<b>MEDLN83SE</b>
	Frame symbol	E-frame	
Power supply capacity	(kVA)	3.8	
Rated output	(W)	1800	
Rated torque	(N·m)	11.5	
Continuous stall torque	(N·m)	11.5	
Momentary Max. peak torque	(N·m)	28.7	
Rated current	(A(rms))	11.8	
Max. current	(A(o-p))	42	
Regenerative brake frequency (times/min) <sup>Note)1</sup>	Without option	No limit <sup>Note)2</sup>	
	DV0P4285×2	No limit <sup>Note)2</sup>	
Rated rotational speed	(r/min)	1500	
Max. rotational speed	(r/min)	3000	
Moment of inertia of rotor (×10 <sup>-4</sup> kg·m <sup>2</sup> )	Without brake	12.1	
	With brake	13.3	
Recommended moment of inertia ratio of the load and the rotor <sup>Note)3</sup>		10 times or less	
Rotary encoder specifications <sup>3)</sup>		23-bit Absolute	
	Resolution per single turn	8388608	

• **Brake specifications** (For details, refer to P.167)  
(This brake will be released when it is energized.)  
(Do not use this for braking the motor in motion.)

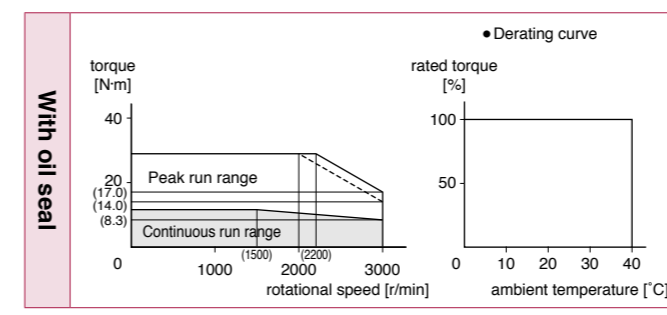
Static friction torque (N·m)	13.7 or more
Engaging time (ms)	100 or less
Releasing time (ms) <sup>Note)4</sup>	50 or less
Exciting current (DC) (A)	0.79±10 %
Releasing voltage (DC) (V)	2 or more
Exciting voltage (DC) (V)	24±2.4

• **Permissible load** (For details, refer to P.166)

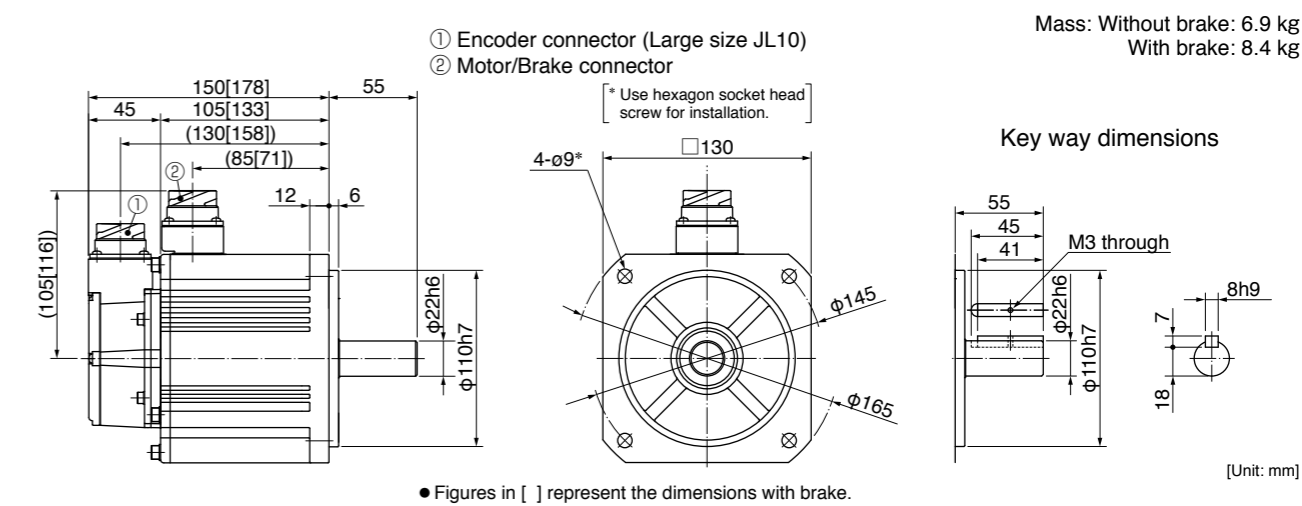
During assembly	Radial load P-direction (N)	980
	Thrust load A-direction (N)	588
	Thrust load B-direction (N)	686
During operation	Radial load P-direction (N)	686
	Thrust load A, B-direction (N)	196

- For details of Note)1 to Note)4, refer to P.165.
- Dimensions of Driver, refer to P.49.
- \*1 □□ in the motor part number represents the motor specifications.
- \*2 Basic type and RS485 communication type are "Position control type".  
Detail of model designation, refer to P.116.
- \*3 When using a rotary encoder as an incremental system (not using multi-turn data), do not connect a battery for absolute encoder.

**Torque characteristics (at AC200 V of power voltage <Dotted line represents the torque at 10 % less supply voltage.>)**



**Dimensions**



• Figures in [ ] represent the dimensions with brake.  
**<Cautions>** Reduce the moment of inertia ratio if high speed response operation is required. Dimensions are subject to change without notice. Contact us or a dealer for the latest information. Read the Instruction Manual carefully and understand all precautions and remarks before using the products. Please avoid the motor, or equipment containing the motor to be distributed to Japan, or other regions through Japan.

• Please contact us for more information.

**Specifications**

		AC200 V	
Motor model <sup>1)</sup>	IP67	<b>MGMF292L1□□M</b>	
Applicable driver	Model No.	Multifunction type	<b>MFDLTB3SF</b>
		RS485 communication type <sup>2)</sup>	<b>MFDLNB3SG</b>
		Basic type <sup>2)</sup>	<b>MFDLNB3SE</b>
	Frame symbol	F-frame	
Power supply capacity	(kVA)	7.5	
Rated output	(W)	2900	
Rated torque	(N·m)	18.5	
Continuous stall torque	(N·m)	18.5	
Momentary Max. peak torque	(N·m)	45.2	
Rated current	(A(rms))	19.3	
Max. current	(A(o-p))	67	
Regenerative brake frequency (times/min) <sup>Note)1</sup>	Without option	No limit <sup>Note)2</sup>	
	DV0P4285×2	No limit <sup>Note)2</sup>	
Rated rotational speed	(r/min)	1500	
Max. rotational speed	(r/min)	3000	
Moment of inertia of rotor (×10 <sup>-4</sup> kg·m <sup>2</sup> )	Without brake	46.9	
	With brake	52.3	
Recommended moment of inertia ratio of the load and the rotor <sup>Note)3</sup>		10 times or less	
Rotary encoder specifications <sup>3)</sup>		23-bit Absolute	
	Resolution per single turn	8388608	

• **Brake specifications** (For details, refer to P.167)  
(This brake will be released when it is energized.)  
(Do not use this for braking the motor in motion.)

Static friction torque (N·m)	25.0 or more
Engaging time (ms)	80 or less
Releasing time (ms) <sup>Note)4</sup>	25 or less
Exciting current (DC) (A)	1.29±10 %
Releasing voltage (DC) (V)	2 or more
Exciting voltage (DC) (V)	24±2.4

• **Permissible load** (For details, refer to P.166)

During assembly	Radial load P-direction (N)	1666
	Thrust load A-direction (N)	784
	Thrust load B-direction (N)	980
During operation	Radial load P-direction (N)	1176
	Thrust load A, B-direction (N)	490

• For details of Note)1 to Note)4, refer to P.165.  
• Dimensions of Driver, refer to P.49.

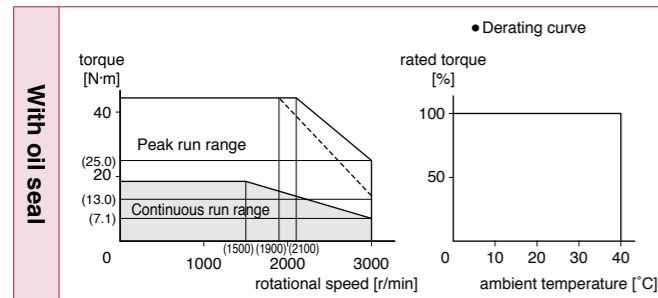
\*1 □□ in the motor part number represents the motor specifications.

\*2 Basic type and RS485 communication type are "Position control type".

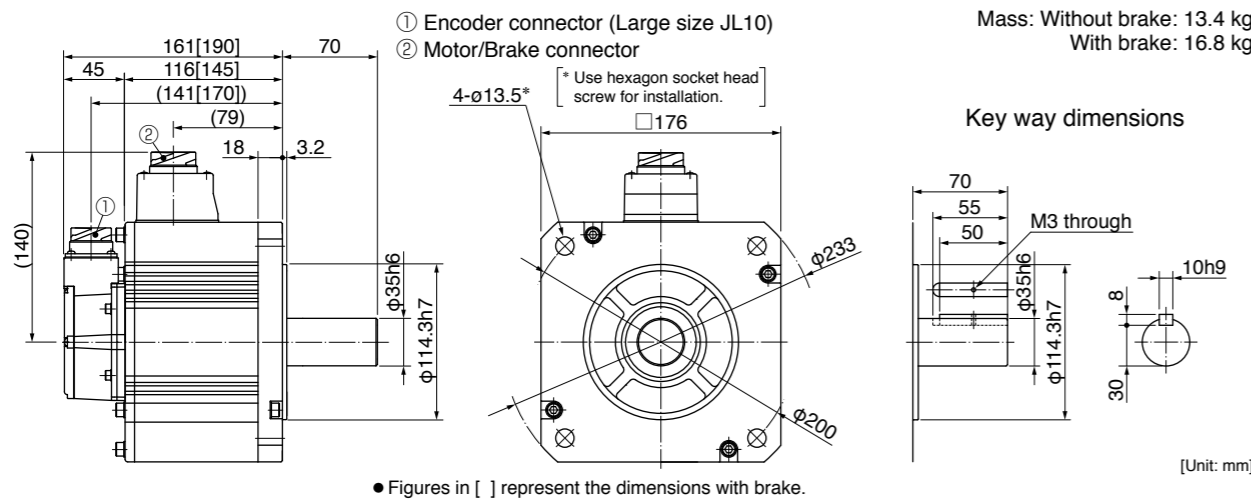
Detail of model designation, refer to P.116.

\*3 When using a rotary encoder as an incremental system (not using multi-turn data), do not connect a battery for absolute encoder.

**Torque characteristics (at AC200 V of power voltage <Dotted line represents the torque at 10 % less supply voltage.>)**



**Dimensions**



• Figures in [ ] represent the dimensions with brake.

**<Cautions>** Reduce the moment of inertia ratio if high speed response operation is required. Dimensions are subject to change without notice. Contact us or a dealer for the latest information. Read the Instruction Manual carefully and understand all precautions and remarks before using the products. Please avoid the motor, or equipment containing the motor to be distributed to Japan, or other regions through Japan.

• Please contact us for more information.

**Specifications**

		AC200 V	
Motor model <sup>1)</sup>	IP67	<b>MGMF442L1□□M</b>	
Applicable driver	Model No.	Multifunction type	<b>MFDLTB3SF</b>
		RS485 communication type <sup>2)</sup>	<b>MFDLNB3SG</b>
		Basic type <sup>2)</sup>	<b>MFDLNB3SE</b>
	Frame symbol	F-frame	
Power supply capacity	(kVA)	7.5	
Rated output	(W)	4400	
Rated torque	(N·m)	28.0	
Continuous stall torque	(N·m)	28.0	
Momentary Max. peak torque	(N·m)	70.0	
Rated current	(A(rms))	27.2	
Max. current	(A(o-p))	96	
Regenerative brake frequency (times/min) <sup>Note)1</sup>	Without option	No limit <sup>Note)2</sup>	
	DV0P4285×2	No limit <sup>Note)2</sup>	
Rated rotational speed	(r/min)	1500	
Max. rotational speed	(r/min)	3000	
Moment of inertia of rotor (×10 <sup>-4</sup> kg·m <sup>2</sup> )	Without brake	58.2	
	With brake	63.0	
Recommended moment of inertia ratio of the load and the rotor <sup>Note)3</sup>		10 times or less	
Rotary encoder specifications <sup>3)</sup>		23-bit Absolute	
	Resolution per single turn	8388608	

• **Brake specifications** (For details, refer to P.167)  
(This brake will be released when it is energized.)  
(Do not use this for braking the motor in motion.)

Static friction torque (N·m)	44.1 or more
Engaging time (ms)	150 or less
Releasing time (ms) <sup>Note)4</sup>	30 or less
Exciting current (DC) (A)	1.29±10 %
Releasing voltage (DC) (V)	2 or more
Exciting voltage (DC) (V)	24±2.4

• **Permissible load** (For details, refer to P.166)

During assembly	Radial load P-direction (N)	1666
	Thrust load A-direction (N)	784
	Thrust load B-direction (N)	980
During operation	Radial load P-direction (N)	1470
	Thrust load A, B-direction (N)	490

• For details of Note)1 to Note)4, refer to P.165.  
• Dimensions of Driver, refer to P.49.

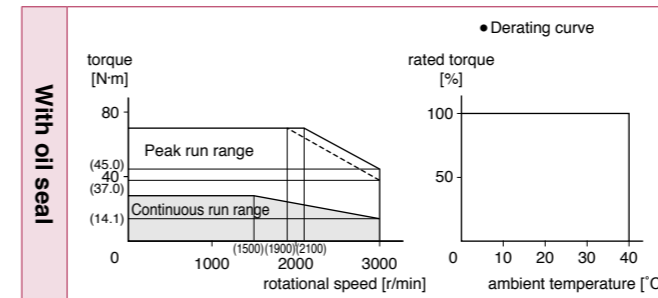
\*1 □□ in the motor part number represents the motor specifications.

\*2 Basic type and RS485 communication type are "Position control type".

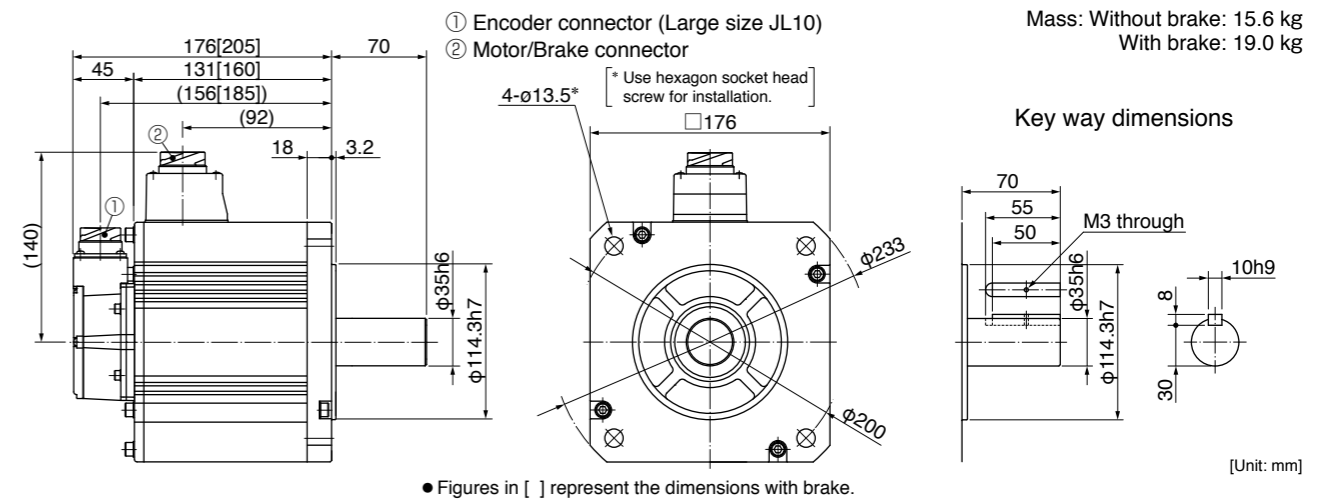
Detail of model designation, refer to P.116.

\*3 When using a rotary encoder as an incremental system (not using multi-turn data), do not connect a battery for absolute encoder.

**Torque characteristics (at AC200 V of power voltage <Dotted line represents the torque at 10 % less supply voltage.>)**



**Dimensions**



• Figures in [ ] represent the dimensions with brake.

**<Cautions>** Reduce the moment of inertia ratio if high speed response operation is required. Dimensions are subject to change without notice. Contact us or a dealer for the latest information. Read the Instruction Manual carefully and understand all precautions and remarks before using the products. Please avoid the motor, or equipment containing the motor to be distributed to Japan, or other regions through Japan.



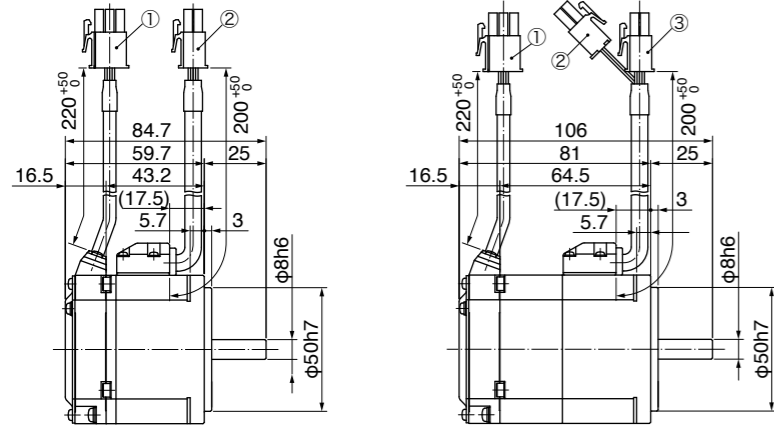
**MQMF 100 W to 400 W**  
Leadwire type (IP65) with oil seal

● **MQMF012L1** □ □ M

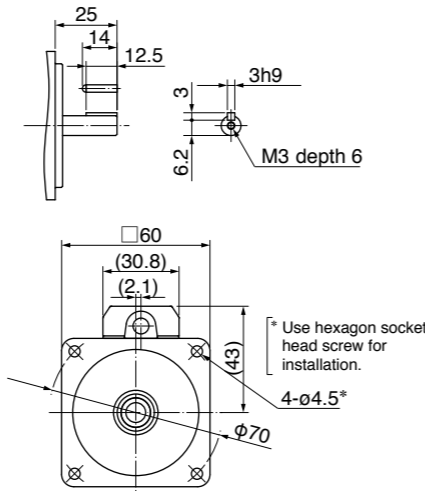
<without brake>

<with brake>

- ① Encoder connector
- ② Brake connector
- ③ Motor connector



Key way dimensions  
<Key way, center tap shaft> [Unit: mm]

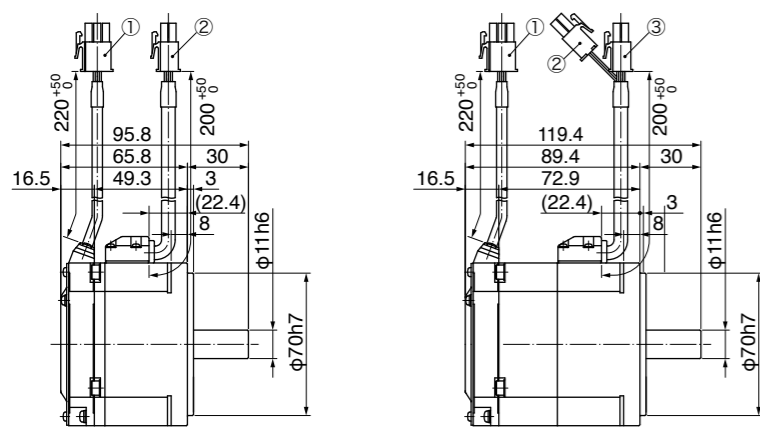


● **MQMF022L1** □ □ M

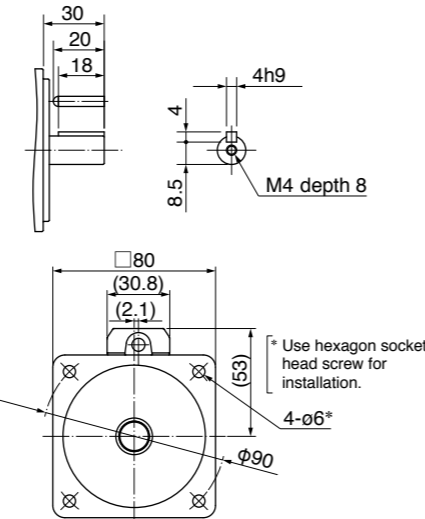
<without brake>

<with brake>

- ① Encoder connector
- ② Brake connector
- ③ Motor connector



Key way dimensions  
<Key way, center tap shaft> [Unit: mm]

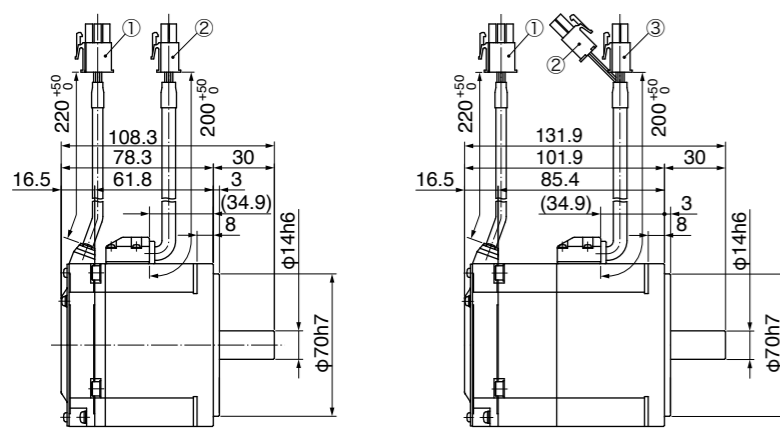


● **MQMF042L1** □ □ M

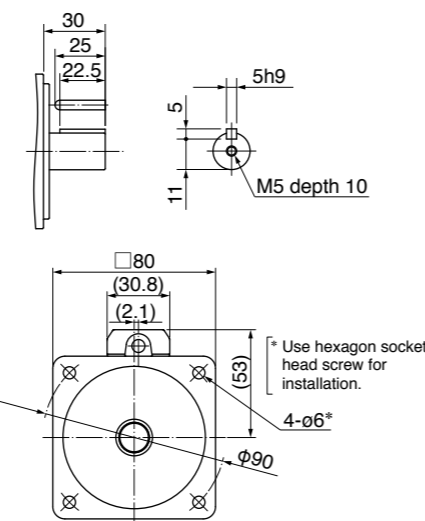
<without brake>

<with brake>

- ① Encoder connector
- ② Brake connector
- ③ Motor connector



Key way dimensions  
<Key way, center tap shaft> [Unit: mm]



\* For motors specifications, refer to P.133 to P.135.

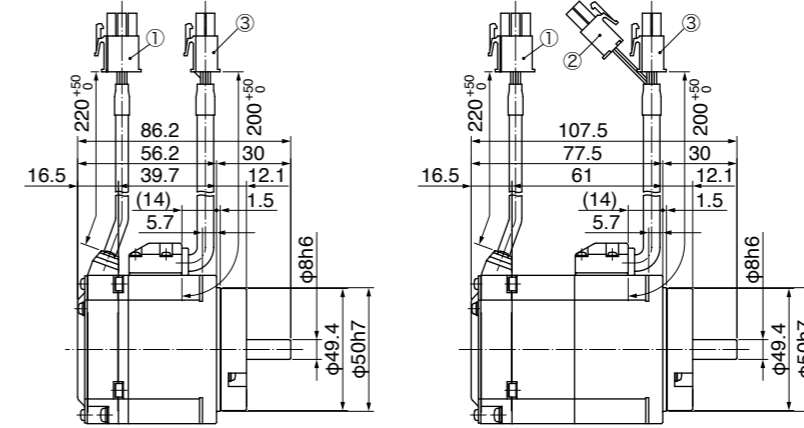
**MQMF 100 W to 400 W**  
Leadwire type (IP65) with protective lip/ with oil seal

● **MQMF012L1** □ □ M

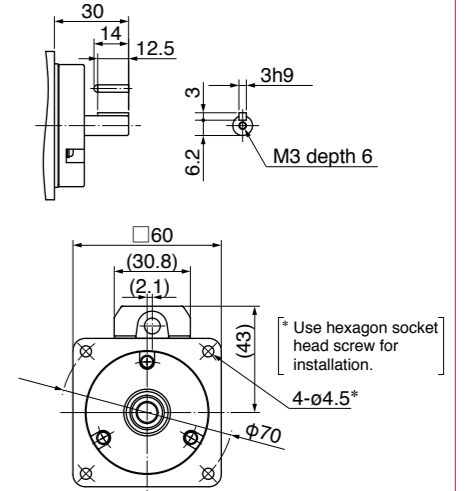
<without brake>

<with brake>

- ① Encoder connector
- ② Brake connector
- ③ Motor connector



Key way dimensions  
<Key way, center tap shaft> [Unit: mm]

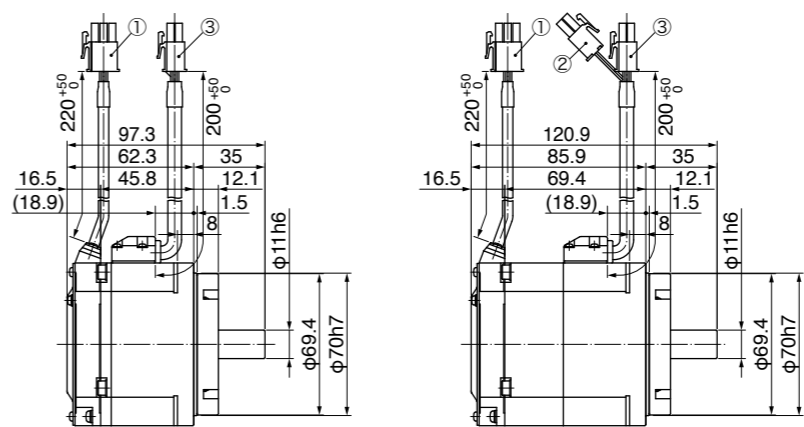


● **MQMF022L1** □ □ M

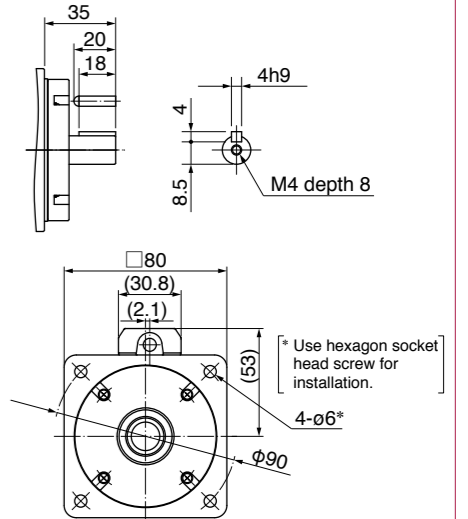
<without brake>

<with brake>

- ① Encoder connector
- ② Brake connector
- ③ Motor connector



Key way dimensions  
<Key way, center tap shaft> [Unit: mm]

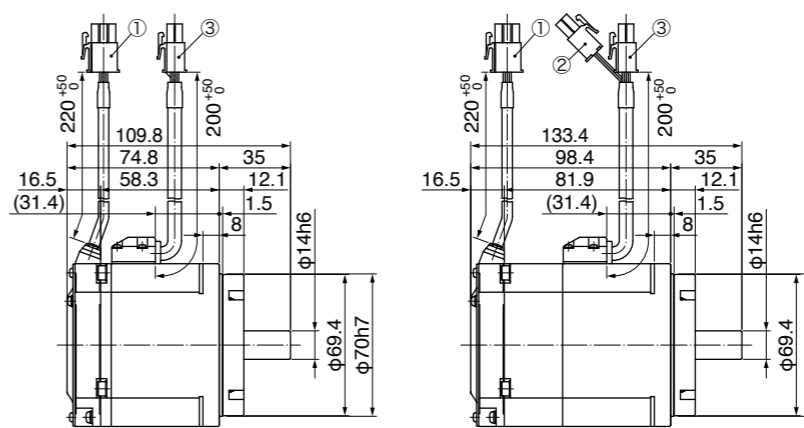


● **MQMF042L1** □ □ M

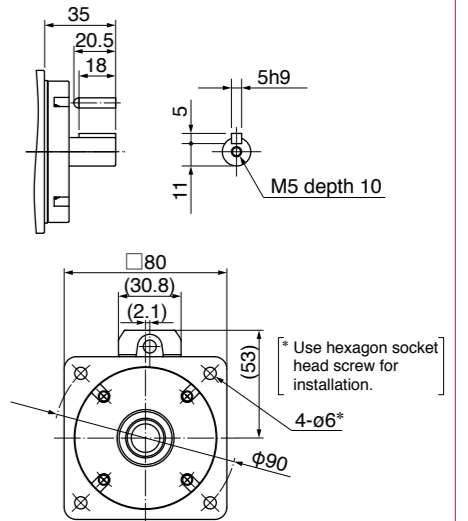
<without brake>

<with brake>

- ① Encoder connector
- ② Brake connector
- ③ Motor connector



Key way dimensions  
<Key way, center tap shaft> [Unit: mm]



\* For motors specifications, refer to P.133 to P.135.

**MHMF 50 W to 200 W**  
Leadwire type (IP65) with oil seal

● **MHMF5AZL1** □ □ M

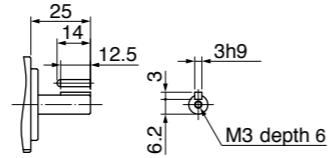
[Unit: mm]

<without brake>

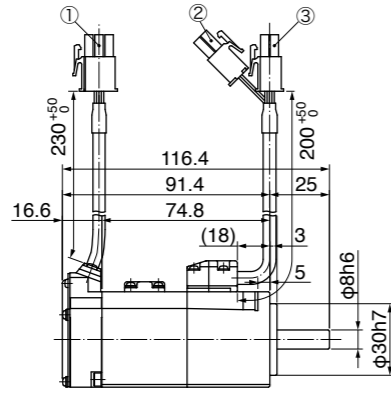
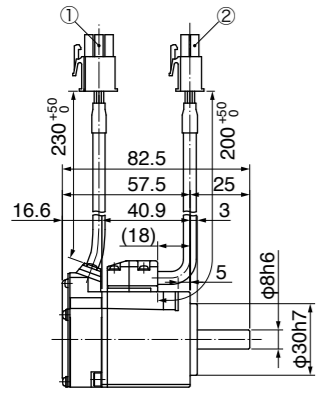
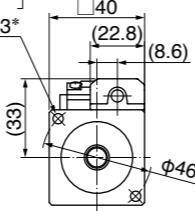
<with brake>

- ① Encoder connector
- ② Brake connector
- ③ Motor connector

Key way dimensions  
<Key way, center tap shaft>



\* Use hexagon socket head screw for installation.



● **MHMF012L1** □ □ M

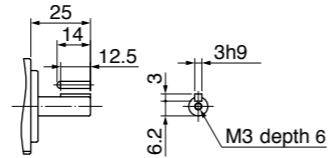
[Unit: mm]

<without brake>

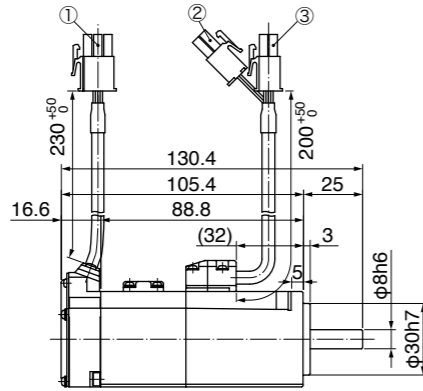
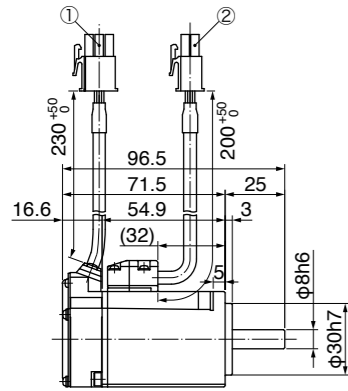
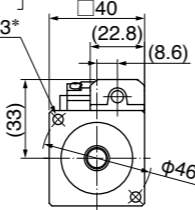
<with brake>

- ① Encoder connector
- ② Brake connector
- ③ Motor connector

Key way dimensions  
<Key way, center tap shaft>



\* Use hexagon socket head screw for installation.



● **MHMF022L1** □ □ M

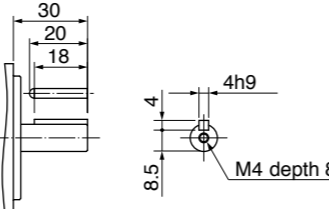
[Unit: mm]

<without brake>

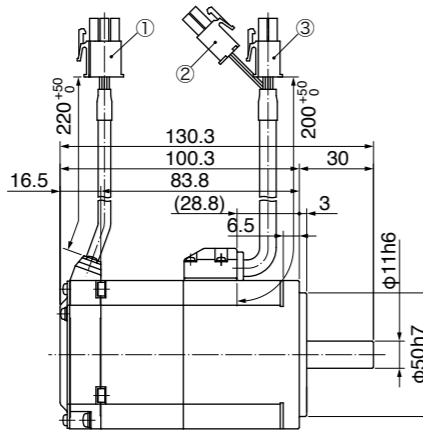
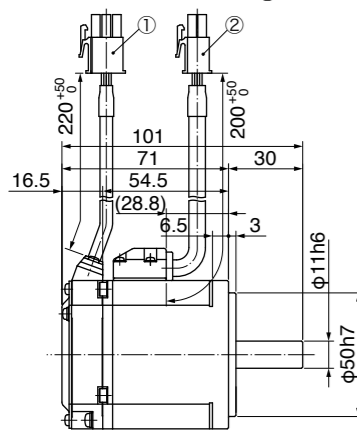
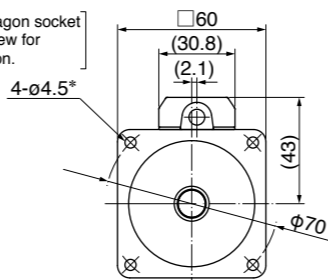
<with brake>

- ① Encoder connector
- ② Brake connector
- ③ Motor connector

Key way dimensions  
<Key way, center tap shaft>



\* Use hexagon socket head screw for installation.



\* For motors specifications, refer to P.136 to P.138.

**MHMF 400 W to 1000 W**  
Leadwire type (IP65) with oil seal

● **MHMF042L1** □ □ M

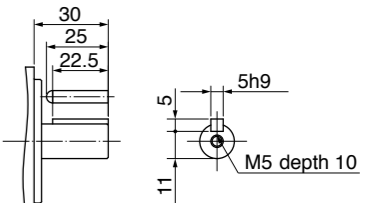
[Unit: mm]

<without brake>

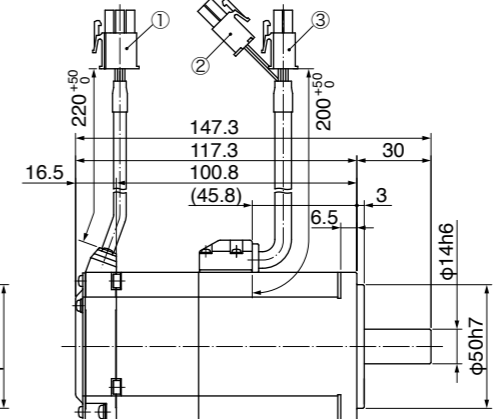
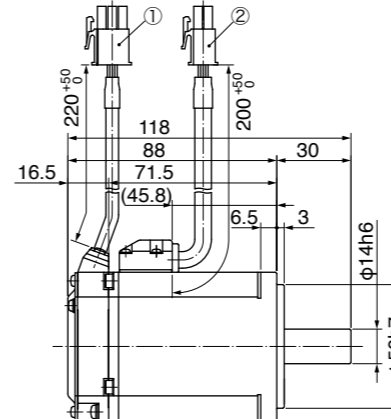
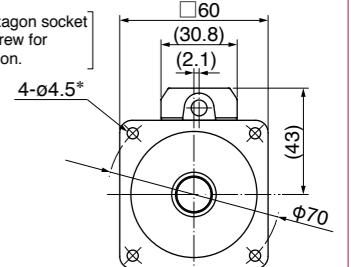
<with brake>

- ① Encoder connector
- ② Brake connector
- ③ Motor connector

Key way dimensions  
<Key way, center tap shaft>



\* Use hexagon socket head screw for installation.



● **MHMF082L1** □ □ M

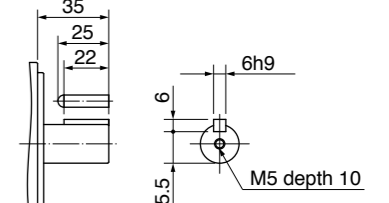
[Unit: mm]

<without brake>

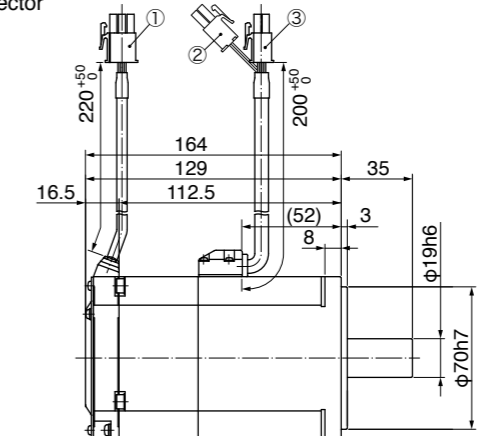
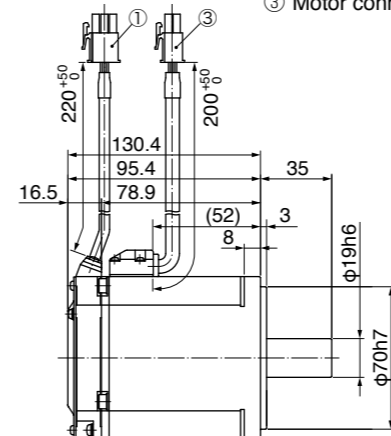
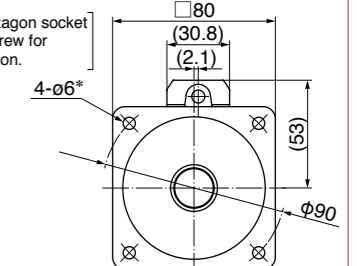
<with brake>

- ① Encoder connector
- ② Brake connector
- ③ Motor connector

Key way dimensions  
<Key way, center tap shaft>



\* Use hexagon socket head screw for installation.



● **MHMF092L1** □ □ M

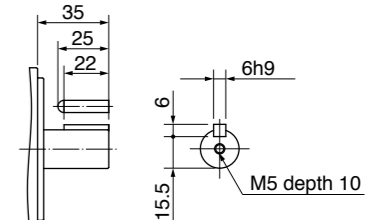
[Unit: mm]

<without brake>

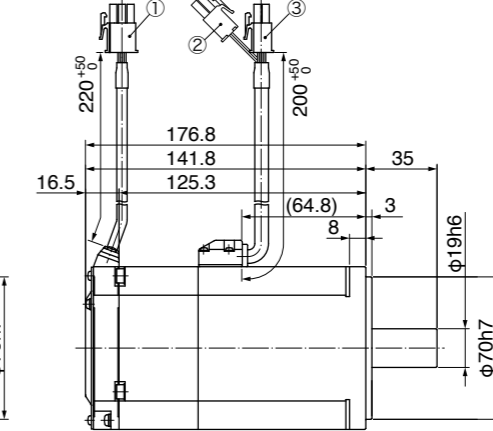
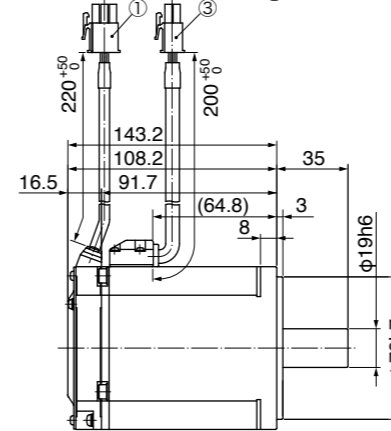
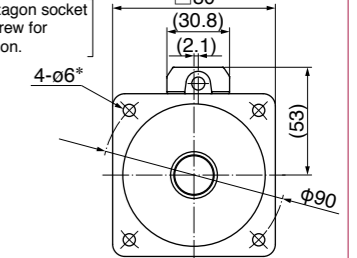
<with brake>

- ① Encoder connector
- ② Brake connector
- ③ Motor connector

Key way dimensions  
<Key way, center tap shaft>



\* Use hexagon socket head screw for installation.



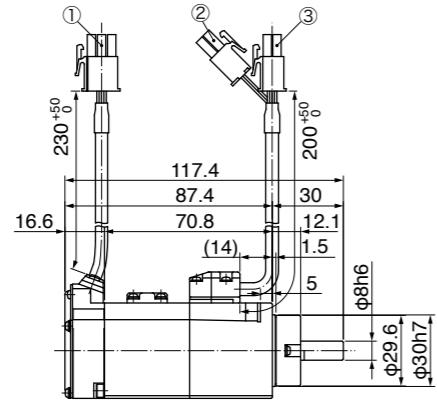
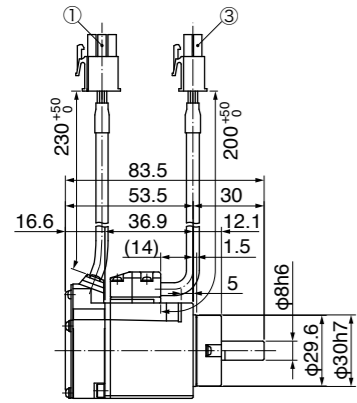
\* For motors specifications, refer to P.139 to P.141.

● MHMF5AZL1□□M

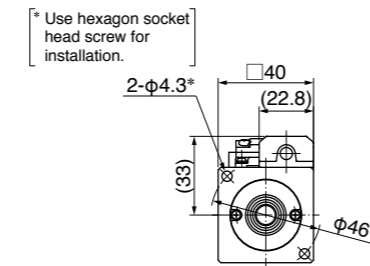
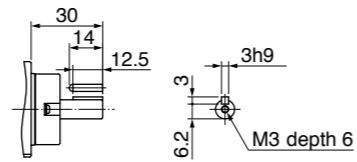
<without brake>

<with brake>

- ① Encoder connector
- ② Brake connector
- ③ Motor connector



Key way dimensions  
<Key way, center tap shaft> [Unit: mm]

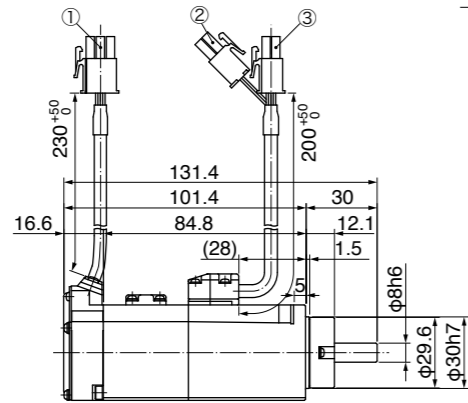
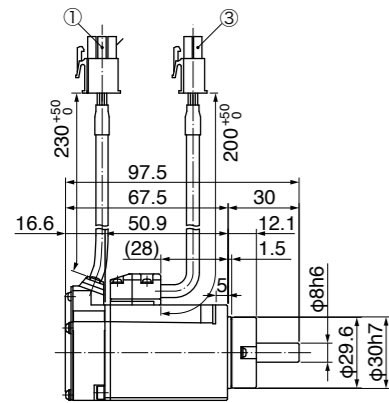


● MHMF012L1□□M

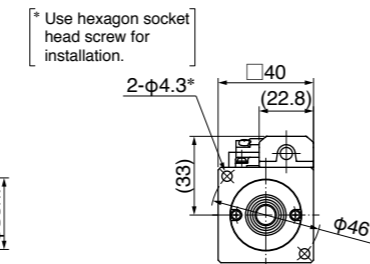
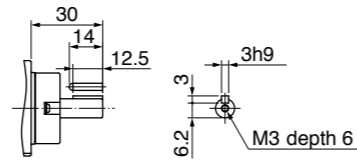
<without brake>

<with brake>

- ① Encoder connector
- ② Brake connector
- ③ Motor connector



Key way dimensions  
<Key way, center tap shaft> [Unit: mm]

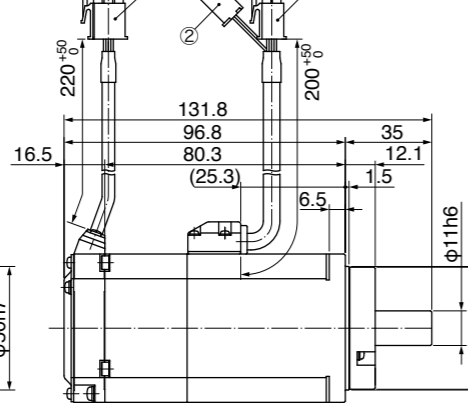
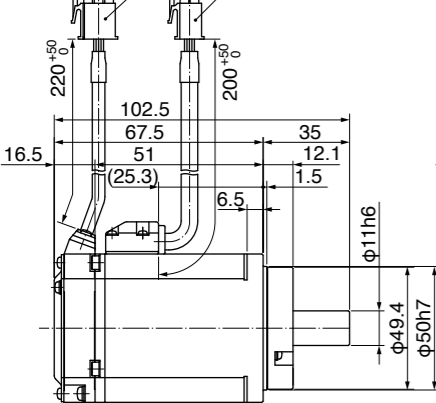


● MHMF022L1□□M

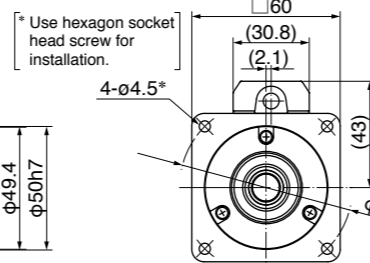
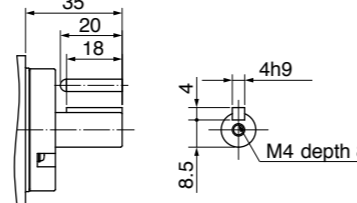
<without brake>

<with brake>

- ① Encoder connector
- ② Brake connector
- ③ Motor connector



Key way dimensions  
<Key way, center tap shaft> [Unit: mm]



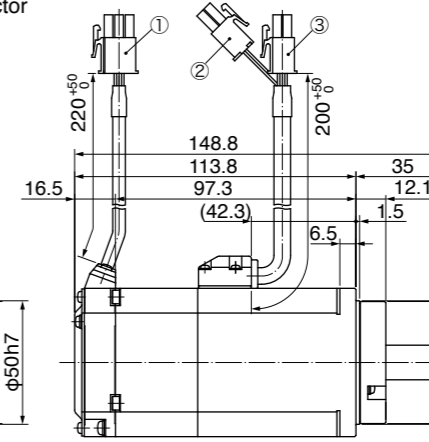
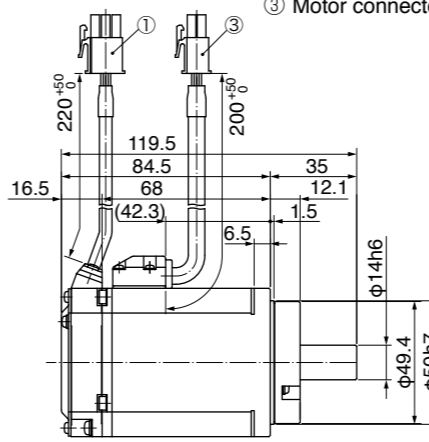
\* For motors specifications, refer to P.136 to P.138.

● MHMF042L1□□M

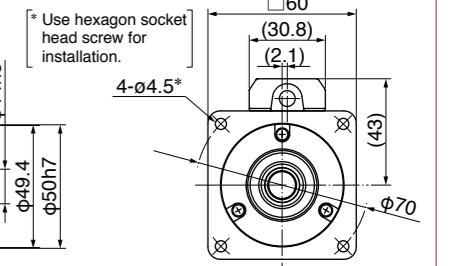
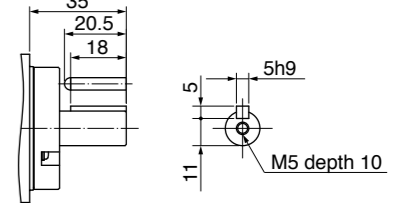
<without brake>

<with brake>

- ① Encoder connector
- ② Brake connector
- ③ Motor connector



Key way dimensions  
<Key way, center tap shaft> [Unit: mm]

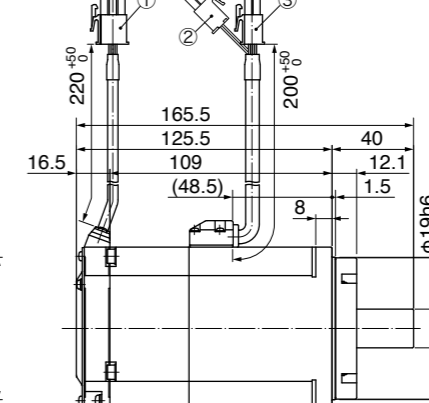
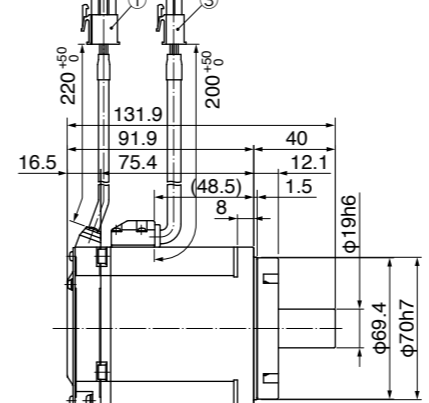


● MHMF082L1□□M

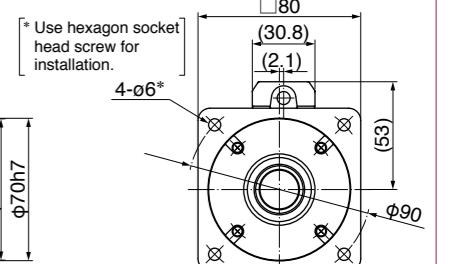
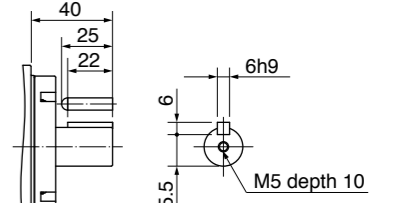
<without brake>

<with brake>

- ① Encoder connector
- ② Brake connector
- ③ Motor connector



Key way dimensions  
<Key way, center tap shaft> [Unit: mm]

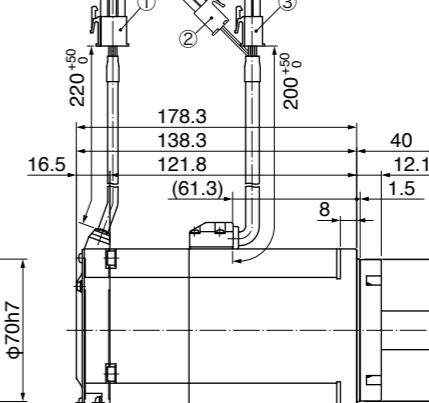
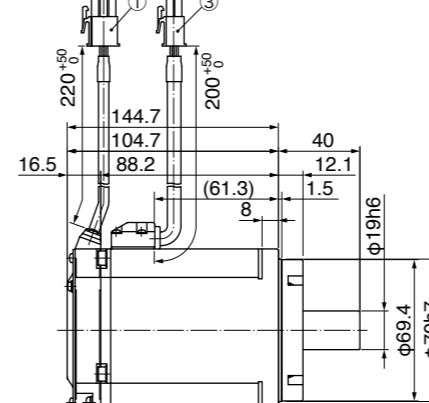


● MHMF092L1□□M

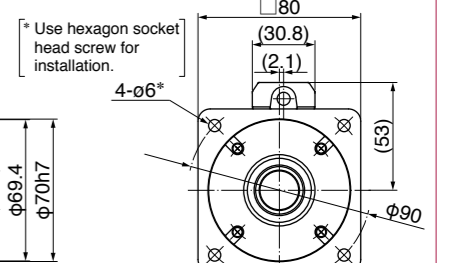
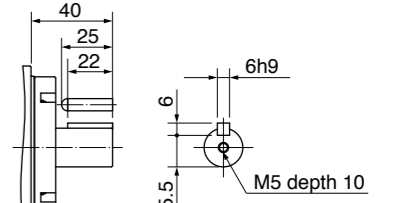
<without brake>

<with brake>

- ① Encoder connector
- ② Brake connector
- ③ Motor connector



Key way dimensions  
<Key way, center tap shaft> [Unit: mm]



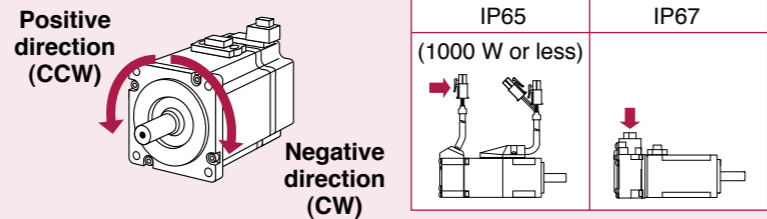
\* For motors specifications, refer to P.139 to P.141.

Environmental Conditions

Item	Conditions	
Ambient temperature *1	0 °C to 40 °C (free from freezing)	
Ambient humidity	20 % to 85 % RH (free from condensation)	
Storage temperature *2	-20 °C to 65 °C (Max.temperature guarantee: 80 °C for 72 hours free from condensation*5)	
Storage humidity	20 % to 85 % RH (free from condensation*5)	
Vibration	Motor only	Lower than 49 m/s <sup>2</sup> (5 G) at running, 24.5 m/s <sup>2</sup> (2.5 G) at stall
Impact	Motor only	Lower than 98 m/s <sup>2</sup> (10 G)
Enclosure rating (Motor only)	IP65 *3	MSMF, MQMF, MHMF (except rotating portion of output shaft and leadwire end.) (MSMF, MQMF, MHMF In case of leadwire type.)
	IP67 *3*4	IP67 motor (except rotating portion of output shaft and connecting pin part of the motor connector and the encoder connector)
Altitude	Lower than 1000 m	

\*1 Ambient temperature to be measured at 5 cm away from the motor.  
 \*2 Permissible temperature for short duration such as transportation.  
 \*3 These motors conform to the test conditions specified in EN standards (EN60529, EN60034-5). Do not use these motors in application where water proof performance is required such as continuous wash-down operation.  
 \*4 This condition is applied when the connector mounting screw are tightened to the recommended tightening torque.  
 \*5 Air containing water vapor will become saturated with water vapor as the temperature falls, causing dew.

**<Note>**  
 Initial setup of rotational direction:  
 positive = CCW and negative = CW.  
 Pay an extra attention.



Notes on [Motor specification] page

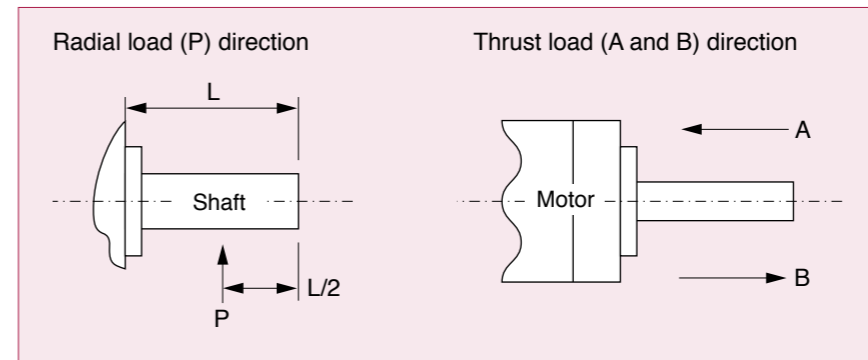
- Note) 1. **[At AC100 V of power voltage]**  
 Regenerative brake frequency represents the frequency of the motor's stops from the rated speed with deceleration without load.
- If the load is connected, frequency will be defines as  $1/(m+1)$ , where m=load moment of inertia/ rotor moment of inertia.
  - When the motor speed exceeds the rated speed, regenerative brake frequency is in inverse proportion to the square of (running speed/rated speed).
  - Power supply voltage is AC115 V (at 100 V of the main voltage).  
 If the supply voltage fluctuates, frequency is in inverse proportion to the square of (Running supply voltage/115) relative to the value in the table.
  - When regeneration occurs continuously such cases as running speed frequently changes or vertical feeding, consult us or a dealer.
- [At AC200 V of power voltage]**  
 Regenerative brake frequency represents the frequency of the motor's stops from the rated speed with deceleration without load.
- If the load is connected, frequency will be defines as  $1/(m+1)$ , where m=load moment of inertia/ rotor moment of inertia.
  - When the motor speed exceeds the rated speed, regenerative brake frequency is in inverse proportion to the square of (running speed/rated speed).
  - Power supply voltage is AC230 V (at 200 V of the main voltage).  
 If the supply voltage fluctuates, frequency is in inverse proportion to the square of (Running supply voltage/230) relative to the value in the table.
  - When regeneration occurs continuously such cases as running speed frequently changes or vertical feeding, consult us or a dealer.

- Note) 2. If the effective torque is within the rated torque, there is no limit in generative brake.  
 Note) 3. Consult us or a dealer if the load moment of inertia exceeds the specified value.  
 Note) 4. Releasing time values represent the ones with DC-cutoff using a varistor.

Permissible Load at Output Shaft

The radial load is defined as a load applied to the output shaft in the right-angle direction. This load is generated when the gear head is coupled to the machine using a chain, belt, etc., but not when the gear head is directly connected to the coupling. As shown in the right figure, the permissible value is determined based on the load applied to the L/2 position of the output shaft. The thrust load is defined as a load applied to the output shaft in the axial direction.

**Because the radial load and thrust load significantly affect the life of the bearing, take care not to allow the load during operation to exceed the permissible radial load and thrust load shown in the table below.**



Built-in Holding Brake

In the applications where the motor drives the vertical axis, this brake would be used to hold and prevent the work (moving load) from falling by gravity while the power to the servo is shut off.

**Use this built-in brake for "Holding" purpose only, that is to hold the stalling status. Never use this for "Brake" purpose to stop the load in motion.**

• Output Timing of BRK-OFF Signal

- For the brake release timing at power-on, or braking timing at Servo-OFF/Servo-Alarm while the motor is in motion, refer to the Operating Instructions (Overall).
- With the parameter, Pr4.38 (Setup of mechanical brake action while the motor is in motion), you can set up a time between when the motor enters to a free-run from energized status and when BRK-OFF signal turns off (brake will be engaged), when the Servo-OFF or alarm occurs while the motor is in motion. For details, download a copy of the instruction manual from our website.

**<Note>**

1. The lining sound of the brake (chattering and etc.) might be generated while running the motor with built-in brake, however this does not affect any functionality.
2. Magnetic flux might be generated through the motor shaft while the brake coil is energized (brake is open). Pay an extra attention when magnetic sensors are used nearby the motor.

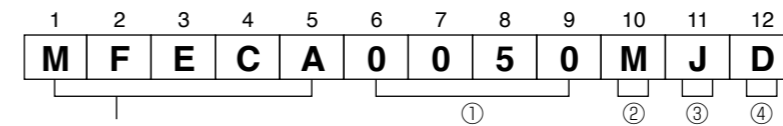
● Specifications of Built-in Holding Brake

Motor series	Motor output	Static friction torque N·m	Rotor inertia × 10 <sup>-4</sup> kg·m <sup>2</sup>	Engaging time ms	Releasing time ms	Exciting current DC A (at cool-off)	Releasing voltage DC V Exciting voltage DC V	Permissible work (J) per one braking	Permissible total work × 10 <sup>3</sup> J	Permissible angular acceleration rad/s <sup>2</sup>	
MSMF (80 mm sq.) or less	50 W, 100 W	0.294 or more	0.002	35 or less	20 or less	0.30	1 or more	39.2	4.9	30000	
	200 W, 400 W	1.27 or more	0.018	50 or less	15 or less	0.36		24±1.2	137		44.1
	750 W	2.45 or more	0.075	70 or less	20 or less	0.42	1 or more	185	80.0		
	1000 W	3.80 or more									24±2.4
MSMF (100 mm sq.) or more	1.0 kW, 1.5 kW, 2.0 kW	8.0 or more	0.175	50 or less	15 or less	0.81 ±10 %	2 or more	600	50	10000	
	3.0 kW	12.0 or more		80 or less					900		
	4.0 kW	16.2 or more	1.12	110 or less	50 or less	0.90 ±10 %	24±2.4	1470	2160		
	5.0 kW	22.0 or more						1545	2000		
MQMF (80 mm sq.) or less	100 W	0.39 or more	0.018	15 or less	20 or less	0.30	1 or more	105	44.1	30000	
	200 W, 400 W	1.6 or more	0.075	70 or less		0.36		24±2.4	185		80
MHMF (80 mm sq.) or less	50 W, 100 W	0.38 or more	0.002	35 or less	20 or less	0.30	1 or more	39.2	4.9	30000	
	200 W, 400 W	1.6 or more	0.018	50 or less		0.36		24±2.4	105		44.1
	750 W, 1000 W	3.8 or more	0.075	70 or less		0.42		185	80		
MHMF (100 mm sq.) or more	1.0 kW, 1.5 kW	13.7 or more	1.12	100 or less	50 or less	0.79 ±10 %	2 or more	1470	2160	10000	
	2.0 kW, 3.0 kW, 4.0 kW	25.0 or more	4.7	80 or less	25 or less	1.29 ±10 %		24±2.4	1800		3000
	5.0 kW	44.1 or more	4.1	150 or less	30 or less			1800	3100		5108
MDMF (100 mm sq.) or more	1.0 kW, 1.5 kW, 2.0 kW	13.7 or more	1.12	100 or less	50 or less	0.79 ±10 %	2 or more	1470	2160	10000	
	3.0 kW	22.0 or more		110 or less		0.90 ±10 %		24±2.4	1545		2000
	4.0 kW	25.0 or more	4.7	80 or less	25 or less	1.29 ±10 %	1800	3000	5440		
	5.0 kW	44.1 or more	4.1	150 or less	30 or less			3100	5108		
MGMF (100 mm sq.) or more	0.85 kW, 1.3 kW, 1.8 kW	13.7 or more	1.12	100 or less	50 or less	0.79 ±10 %	2 or more	1470	2160	10000	
	2.9 kW	25.0 or more	4.7	80 or less	25 or less	1.29 ±10 %		24±2.4	1800		3000
	4.4 kW	44.1 or more	3.93	150 or less	30 or less			1800	3100		5108

- Releasing time values represent the ones with DC-cutoff using a varistor.
- Above values (except static friction torque, releasing voltage and excitation current) represent typical values.
- Backlash of the built-in holding brake is kept ±1° or smaller at ex-factory point.
- Service life of the number of acceleration/deceleration with the above permissible angular acceleration is more than 10 million times. (Life end is defined as when the brake backlash drastically changes.)

Cable part No. Designation

Encoder Cable



Type classification  
MFECA: Encoder cable

① Cable length

0030	3 m
0050	5 m
0100	10 m
0200	20 m

② Cable type

E	PVC cable with shield by Oki Electric Cable Co., 0.20 mm <sup>2</sup> × 4P(8-wire), 3P(6-wire)
M	Hitachi Cable, Ltd. Highly bendable type
T	Hitachi Cable, Ltd. Standard bendable type

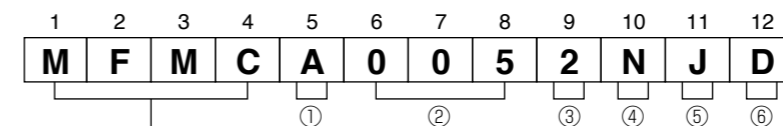
③ Cable end (Encoder side)

A	Tyco Electronics Japan G.K. connector
J	Japan Aviation Electronics Industry, Ltd. connector (Direction of motor shaft)
K	Japan Aviation Electronics Industry, Ltd. connector (Opposite direction of motor shaft)
P	Japan Aviation Electronics Industry, Ltd. plug connector
S	"S" shaped cannonplug
T	Japan Aviation Electronics Industry, Ltd. plug connector

④ Cable end (Driver side)

D	Connector (Without battery box)
E	Connector (With battery box)

Motor Cable, Brake Cable



AC servo motor cable

① Type classification

A	Standard
B	Special
:	Design order

② Cable length

003	3 m
005	5 m
010	10 m
020	20 m

③ Sectional area of cable core

0	0.75 mm <sup>2</sup>
1	1.25 mm <sup>2</sup>
2	2.0 mm <sup>2</sup>
3	3.5 mm <sup>2</sup>

④ Cable type

E	ROBO-TOP® 4-wire by DYDEN CORPORATION
F	ROBO-TOP® 6-wire by DYDEN CORPORATION
G	ROBO-TOP® 2-wire by DYDEN CORPORATION
N	4-wire by Hitachi Cable, Ltd. (Highly bendable type)
R	2-wire by Hitachi Cable, Ltd. (Highly bendable type)
P	4-wire by Hitachi Cable, Ltd. (Standard bendable type)
S	2-wire by Hitachi Cable, Ltd. (Standard bendable type)
U	4-wire for A6 series small motor* (Highly bendable type)
V	6-wire for A6 series small motor* (Highly bendable type)
W	4-wire for A6 series small motor* (Standard bendable type)
X	6-wire for A6 series small motor* (Standard bendable type)

ROBO-TOP® is a trade mark of DYDEN CORPORATION

\* 80 mm sq. or less

⑤ Cable end at motor side

C	S type cannon plug
E	Tyco Electronics Japan G.K. connector
F	Japan Aviation Electronics Industry, Ltd. connector (Direction of motor shaft)
G	Japan Aviation Electronics Industry, Ltd. connector (Opposite direction of motor shaft)
J	Japan Aviation Electronics Industry, Ltd. connector (Direction of motor shaft)
K	Japan Aviation Electronics Industry, Ltd. connector (Opposite direction of motor shaft)
U	Japan Aviation Electronics Industry, Ltd. plug connector

⑥ Cable end at driver side

D	Rod terminal
T	Clamp terminal

50 W to 1000 W 80 mm sq. or less

- When the motors of <MSMF, MQMF, MHMF (Leadwire type)> are used, they are connected as shown below.  
Connector: Tyco Electronics Japan G.K. (The figures below show connectors for the motor.)

**[Connector for encoder]**

172169-1  
23-bit Absolute

PIN No.	Application
1	BAT+*
2	BAT-*
3	FG(SHIELD)
4	PS
5	PS
6	NC
7	E5V
8	E0V
9	NC

**<Remarks>**  
Do not connect anything to NC.

\* Connector pin diagram is viewed from the direction of the arrow.

\* When using the motor as an incremental system, BAT+ and BAT- can be left unconnected.

**[Connector for motor]**

172167-1

PIN No.	Application
1	U-phase
2	V-phase
3	W-phase
4	Ground

\* Connector pin diagram is viewed from the direction of the arrow.

**[Connector for Brake]**

172165-1

PIN No.	Application
1	Brake
2	Brake

\* Electromagnetic brake is a nonpolar device.

\* Connector pin diagram is viewed from the direction of the arrow.

- When the motors of <MSMF, MQMF, MHMF (Connector type)> are used, they are connected as shown below.  
Connector: Made by Japan Aviation Electronics Industry, Ltd. (The figures below show connectors for the motor.)

**[Motor with brake] <MSMF>**

JN6CR07PM2  
JN6CR07PM4

\* Top view of the motor.

PIN No.	Application
1	FG(SHIELD)
2	BAT-*
3	E0V
4	PS
5	BAT+*
6	E5V
7	PS

Tightening torque of the screw (M2)  
0.19 N·m to 0.21 N·m

\* Be sure to use only the screw supplied with the connector, to avoid damage.

\* When using the motor as an incremental system, BAT+ and BAT- can be left unconnected.

**<MSMF>**

JN8AT04NJ1

\* Top view of the motor.

PIN No.	Application
1	U-phase
2	V-phase
3	W-phase
PE	Ground

Tightening torque of the screw (M2)  
0.085 N·m to 0.095 N·m (screwed to plastic)

\* Be sure to use only the screw supplied with the connector, to avoid damage.

\* Secure the gasket in place without removing it from the connector.

**<MHMF 50 W, 100 W>**

JN11AH06NN2

\* Top view of the motor.

without Brake		with Brake	
PIN No.	Application	PIN No.	Application
1	U-phase	1	U-phase
2	V-phase	2	V-phase
3	W-phase	3	W-phase
4	NC	4	Brake
5	NC	5	Brake
PE	Ground	PE	Ground

**<MQMF, MHMF 200 W to 1000 W>**

JN11AH06NN1

\* Top view of the motor.

Tightening torque of the screw (M2)  
0.085 N·m to 0.095 N·m

\* Electromagnetic brake is a nonpolar device.

\* Be sure to use only the screw supplied with the connector, to avoid damage.

\* Secure the gasket in place without removing it from the connector.

**<Remarks>** Do not connect anything to NC.

**[Motor with brake] <MSMF>**

JN4AT02PJM-R

\* Top view of the motor.

PIN No.	Application
1	Brake
2	Brake

Tightening torque of the screw (M2)  
0.19 N·m to 0.21 N·m

\* Electromagnetic brake is a nonpolar device.

\* Be sure to use only the screw supplied with the connector, to avoid damage.

\* Secure the gasket in place without removing it from the connector.

0.85 kW to 5.0 kW 100 mm sq. or more

- When the motors of <MSMF, MDMF, MGMF, MHMF> are used, they are connected as shown below.  
Connector: Made by Japan Aviation Electronics Industry, Ltd. (The figures below show connectors for the motor.)

Connector for encoder

**IP67 motor Connector for encoder (Large size)**

JL10-2A20-29P  
23-bit Absolute

PIN No.	Application
A	NC
B	NC
C	NC
D	NC
E	NC
F	NC
G	E0V
H	E5V
J	FG(SHIELD)
K	PS
L	PS
M	NC
N	NC
P	NC
R	NC
S	BAT-*
T	BAT+*

**IP67 motor Connector for encoder (Small size)**

JN2AS10ML3-R  
23-bit Absolute

PIN No.	Application
1	E0V
2	NC
3	PS
4	E5V
5	BAT-*
6	BAT+*
7	PS
8	NC
9	FG(SHIELD)
10	NC

**<Remarks>**  
Do not connect anything to NC.

\* When using the motor as an incremental system, BAT+ and BAT- can be left unconnected.

Connector for motor/brake

Table for motor connector and brake connector

Motor part No.	Motor output	200 V		Motor part No.	Motor output	200 V	
		without Brake	with Brake			without Brake	with Brake
MSMF	1.0 kW to 2.0 kW	A	C	MGMF	0.85 kW to 1.8 kW	A	C
	3.0 kW to 5.0 kW	B	D		2.9 kW to 4.4 kW	B	D
MDMF	1.0 kW to 2.0 kW	A	C	MHMF	1.0 kW to 1.5 kW	A	C
	3.0 kW to 5.0 kW	B	D		2.0 kW to 5.0 kW	B	D

**Connector for motor/brake**

**A** JL10-2E20-4PE-B

PIN No.	Application
A	U-phase
B	V-phase
C	W-phase
D	Ground

**B** JL10-2E22-22PE-B

PIN No.	Application
G	with Brake : Brake without Brake : NC
H	with Brake : Brake without Brake : NC
A	NC
F	U-phase
I	V-phase
B	W-phase
E	Ground
D	Ground
C	NC

**C** JL10-2E20-18PE-B

PIN No.	Application
A	with Brake : Brake without Brake : NC
B	with Brake : Brake without Brake : NC
C	NC
D	U-phase
E	V-phase
F	W-phase
G	Ground
H	Ground
I	NC

**D** JL10-2E24-11PE-B

PIN No.	Application
A	with Brake : Brake without Brake : NC
B	with Brake : Brake without Brake : NC
C	NC
D	U-phase
E	V-phase
F	W-phase
G	Ground
H	Ground
I	NC

\* Electromagnetic brake is a nonpolar device.

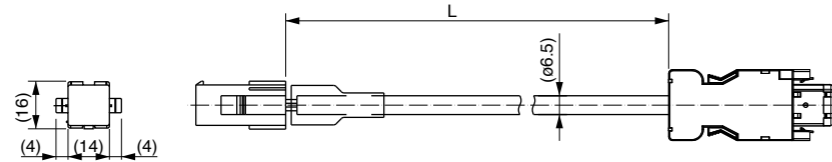
**<Remarks>** Do not connect anything to NC.

Encoder Cable

\* It doesn't correspond to IP65 and IP67.

<b>Part No.</b>	<b>MFECA0 ** 0EAD</b>	<b>80 mm sq. or less Applicable model</b>	MSMF 50 W to 1000 W, MHMF 50 W to 1000 W (Leadwire type)	MQMF 100 W to 400 W
<b>Specifications</b>	23-bit absolute encoder When used in incremental system (without battery box)			

[Unit: mm]

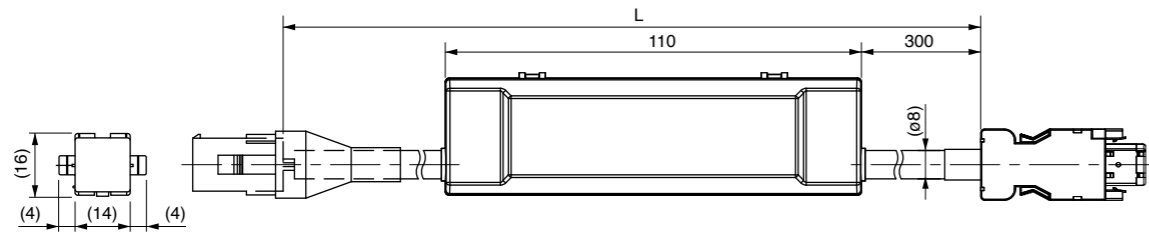


Title	Part No.	Manufacturer	L (m)	Part No.(ex.)
Connector (Driver side)	3E206-0100 KV	Sumitomo 3M (or equivalent)	3	MFECA0030EAD
Shell kit	3E306-3200-008		5	MFECA0050EAD
Connector (Motor side)	172161-1	Tyco Electronics Japan G.K.	10	MFECA0100EAD
Connector pin	170365-1		20	MFECA0200EAD
Cable	0.20 mm <sup>2</sup> x3P (6-wire)		Oki Electric Cable Co., Ltd.	

<b>Part No.</b>	<b>MFECA0 ** 0EAE</b>	<b>80 mm sq. or less Applicable model</b>	MSMF 50 W to 1000 W, MHMF 50 W to 1000 W (Leadwire type)	MQMF 100 W to 400 W
<b>Specifications</b>	23-bit absolute encoder When used in absolute system (with battery box) *			

\* Battery is not included. Please buy the absolute encoder battery "DV0P2990" separately.

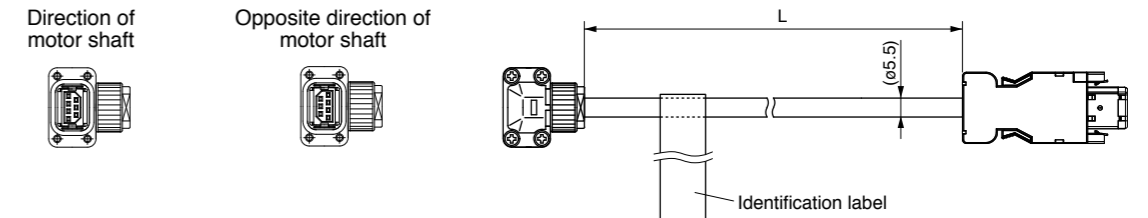
[Unit: mm]



Title	Part No.	Manufacturer	L (m)	Part No.(ex.)
Connector (Driver side)	3E206-0100 KV	Sumitomo 3M (or equivalent)	3	MFECA0030EAE
Shell kit	3E306-3200-008		5	MFECA0050EAE
Connector (Motor side)	172161-1	Tyco Electronics Japan G.K.	10	MFECA0100EAE
Connector pin	170365-1		20	MFECA0200EAE
Cable	0.20 mm <sup>2</sup> x4P (8-wire)		Oki Electric Cable Co., Ltd.	

<b>Part No.</b>	<b>MFECA0 ** 0MJD</b> (Highly bendable type, Direction of motor shaft)	<b>80 mm sq. or less Applicable model</b>	MSMF 50 W to 1000 W
	<b>MFECA0 ** 0MKD</b> (Highly bendable type, Opposite direction of motor shaft)		MQMF 100 W to 400 W
	<b>MFECA0 ** 0TJD</b> (Standard bendable type, Direction of motor shaft)		MHMF 50 W to 1000 W
	<b>MFECA0 ** 0TKD</b> (Standard bendable type, Opposite direction of motor shaft)		(Connector type)
<b>Specifications</b>	23-bit absolute encoder When used in incremental system (without battery box)		

[Unit: mm]

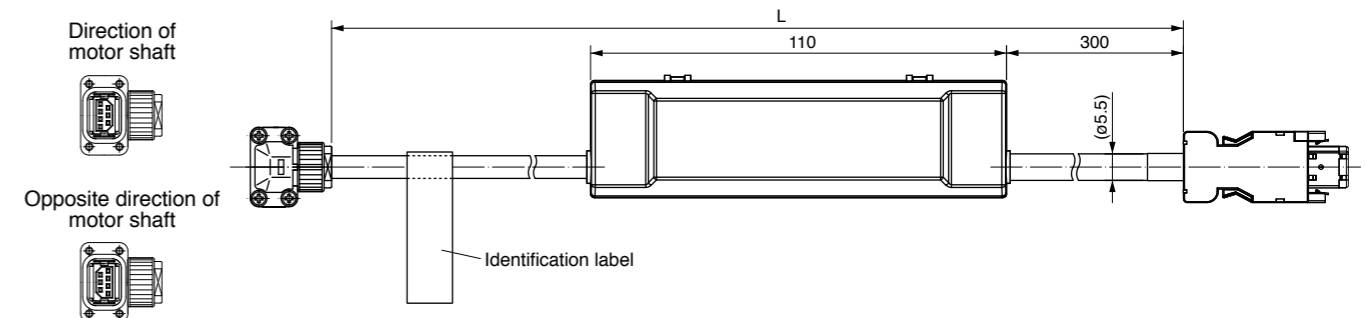


Title	Part No.	Manufacturer	L (m)	Part No.(ex.)
Connector (Driver side)	3E206-0100 KV	Sumitomo 3M (or equivalent)	3	MFECA0030MJD
Shell kit	3E306-3200-008		5	MFECA0050MJD
Connector (Motor side)	JN6FR07SM1	Japan Aviation Electronics Ind.	10	MFECA0100MJD
Connector pin	LY10-C1-A1-10000		20	MFECA0200MJD
Cable	AWG24 4-wire, AWG22 2-wire (φ5.5)		Hitachi Cable, Ltd.	

<b>Part No.</b>	<b>MFECA0 ** 0MJE</b> (Highly bendable type, Direction of motor shaft)	<b>80 mm sq. or less Applicable model</b>	MSMF 50 W to 1000 W
	<b>MFECA0 ** 0MKE</b> (Highly bendable type, Opposite direction of motor shaft)		MQMF 100 W to 400 W
	<b>MFECA0 ** 0TJE</b> (Standard bendable type, Direction of motor shaft)		MHMF 50 W to 1000 W
	<b>MFECA0 ** 0TKE</b> (Standard bendable type, Opposite direction of motor shaft)		(Connector type)
<b>Specifications</b>	23-bit absolute encoder When used in absolute system (with battery box) *		

\* Battery is not included. Please buy the absolute encoder battery "DV0P2990" separately.

[Unit: mm]

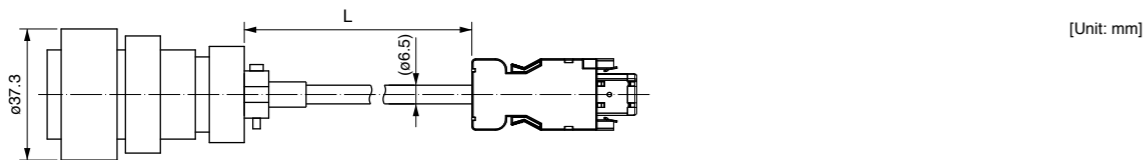


Title	Part No.	Manufacturer	L (m)	Part No.(ex.)
Connector (Driver side)	3E206-0100 KV	Sumitomo 3M (or equivalent)	3	MFECA0030MJE
Shell kit	3E306-3200-008		5	MFECA0050MJE
Connector (Motor side)	JN6FR07SM1	Japan Aviation Electronics Ind.	10	MFECA0100MJE
Connector pin	LY10-C1-A1-10000		20	MFECA0200MJE
Cable	AWG24 4-wire, AWG22 2-wire (φ5.5)		Hitachi Cable, Ltd.	

Encoder Cable

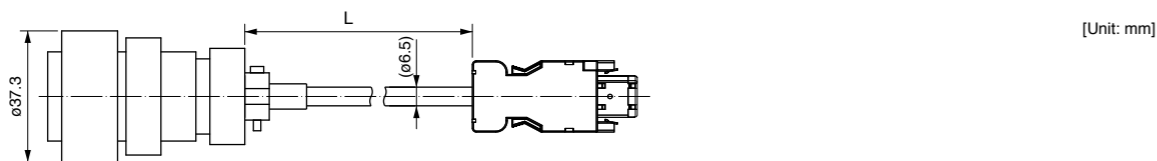
\* It doesn't correspond to IP65 and IP67.

<b>Part No.</b>	<b>MFECA0 ** 0EPD</b>	<b>100 mm sq. or more Applicable model</b>	0.85 kW to 5.0 kW
<b>Specifications</b>	23-bit absolute encoder When used in incremental system (without battery box) <Large one-touch lock type>		



Title	Part No.	Manufacturer	L (m)	Part No.(ex.)
Connector (Driver side)	3E206-0100 KV	Sumitomo 3M	3	MFECA0030EPD
Shell kit	3E306-3200-008	(or equivalent)	5	MFECA0050EPD
Connector (Motor side)	JL10-6A20-29S-EB	Japan Aviation Electronics Ind.	10	MFECA0100EPD
Cable clamp	JL04-2022CK(09)-R		20	MFECA0200EPD
Cable	0.2 mm <sup>2</sup> x3P (6-wire)	Ok Electric Cable Co., Ltd.		

<b>Part No.</b>	<b>MFECA0 ** 0ESD</b>	<b>100 mm sq. or more Applicable model</b>	0.85 kW to 5.0 kW
<b>Specifications</b>	23-bit absolute encoder When used in incremental system (without battery box) <Large screwed type>		

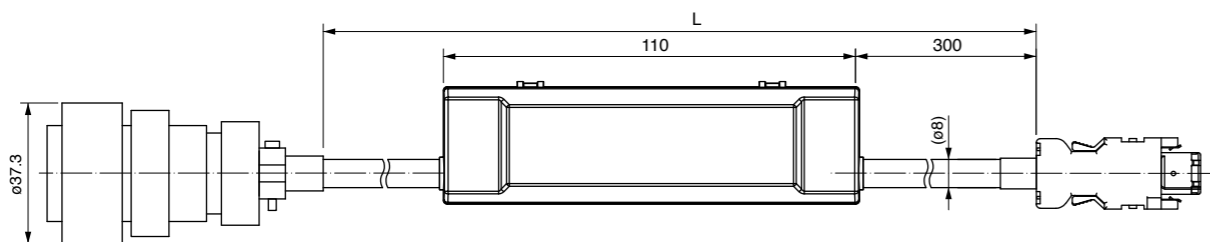


Title	Part No.	Manufacturer	L (m)	Part No.(ex.)
Connector (Driver side)	3E206-0100 KV	Sumitomo 3M	3	MFECA0030ESD
Shell kit	3E306-3200-008	(or equivalent)	5	MFECA0050ESD
Connector (Motor side)	N/MS3106B20-29S	Japan Aviation Electronics Ind.	10	MFECA0100ESD
Cable clamp	N/MS3057-12A		20	MFECA0200ESD
Cable	0.2 mm <sup>2</sup> x3P (6-wire)	Ok Electric Cable Co., Ltd.		

<b>Part No.</b>	<b>MFECA0 ** 0EPE</b>	<b>100 mm sq. or more Applicable model</b>	0.85 kW to 5.0 kW (IP67 motor)
<b>Specifications</b>	23-bit absolute encoder When used in absolute system (with battery box) * <Large one-touch lock type>		

\* Battery is not included. Please buy the absolute encoder battery "DV0P2990" separately.

[Unit: mm]

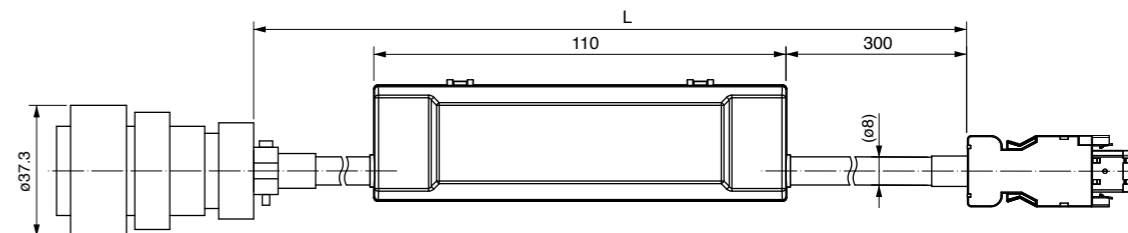


Title	Part No.	Manufacturer	L (m)	Part No.(ex.)
Connector (Driver side)	3E206-0100 KV	Sumitomo 3M	3	MFECA0030EPE
Shell kit	3E306-3200-008	(or equivalent)	5	MFECA0050EPE
Connector (Motor side)	JL10-6A20-29S-EB	Japan Aviation Electronics Ind.	10	MFECA0100EPE
Cable clamp	JL04-2022CK(09)-R		20	MFECA0200EPE
Cable	0.2 mm <sup>2</sup> x3P (6-wire)	Ok Electric Cable Co., Ltd.		

<b>Part No.</b>	<b>MFECA0 ** 0ESE</b>	<b>100 mm sq. or more Applicable model</b>	0.85 kW to 5.0 kW (IP67 motor)
<b>Specifications</b>	23-bit absolute encoder When used in absolute system (with battery box) * <Large screwed type>		

\* Battery is not included. Please buy the absolute encoder battery "DV0P2990" separately.

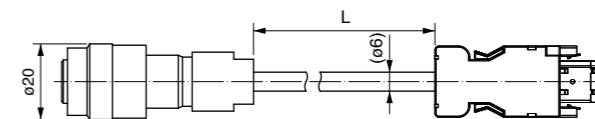
[Unit: mm]



Title	Part No.	Manufacturer	L (m)	Part No.(ex.)
Connector (Driver side)	3E206-0100 KV	Sumitomo 3M	3	MFECA0030ESE
Shell kit	3E306-3200-008	(or equivalent)	5	MFECA0050ESE
Connector (Motor side)	N/MS3106B20-29S	Japan Aviation Electronics Ind.	10	MFECA0100ESE
Cable clamp	N/MS3057-12A		20	MFECA0200ESE
Cable	0.2 mm <sup>2</sup> x4P (8-wire)	Ok Electric Cable Co., Ltd.		

<b>Part No.</b>	<b>MFECA0 ** 0ETD</b>	<b>100 mm sq. or more Applicable model</b>	0.85 kW to 5.0 kW (IP67 motor)
<b>Specifications</b>	23-bit absolute encoder When used in incremental system (without battery box) <Small one-touch lock type>		

[Unit: mm]

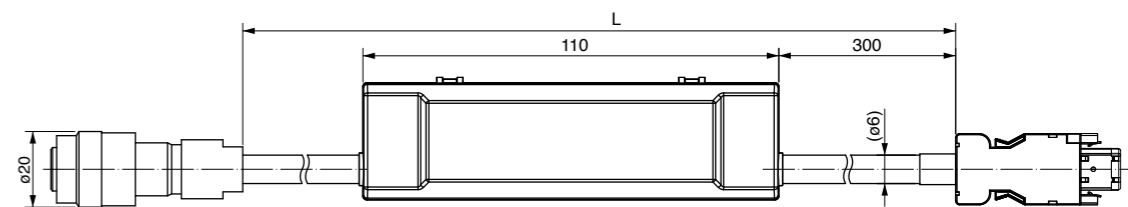


Title	Part No.	Manufacturer	L (m)	Part No.(ex.)
Connector (Driver side)	3E206-0100 KV	Sumitomo 3M	3	MFECA0030ETD
Shell kit	3E306-3200-008	(or equivalent)	5	MFECA0050ETD
Connector (Motor side)	JN2DS10SL1-R	Japan Aviation Electronics Ind.	10	MFECA0100ETD
Connector pin	JN1-22-22S-PKG100		20	MFECA0200ETD
Cable	0.2 mm <sup>2</sup> x3P (6-wire)	Ok Electric Cable Co., Ltd.		

<b>Part No.</b>	<b>MFECA0 ** 0ETE</b>	<b>100 mm sq. or more Applicable model</b>	0.85 kW to 5.0 kW (IP67 motor)
<b>Specifications</b>	23-bit absolute encoder When used in absolute system (with battery box) * <Small one-touch lock type>		

\* Battery is not included. Please buy the absolute encoder battery "DV0P2990" separately.

[Unit: mm]



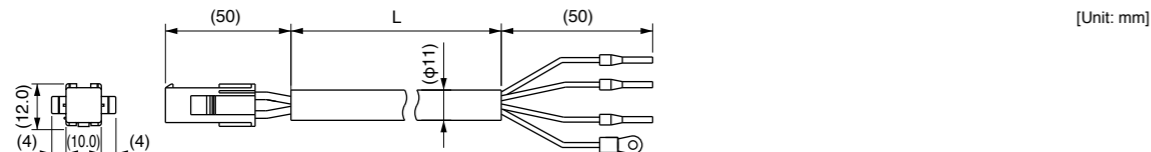
Title	Part No.	Manufacturer	L (m)	Part No.(ex.)
Connector (Driver side)	3E206-0100 KV	Sumitomo 3M	3	MFECA0030ETE
Shell kit	3E306-3200-008	(or equivalent)	5	MFECA0050ETE
Connector (Motor side)	JN2DS10SL1-R	Japan Aviation Electronics Ind.	10	MFECA0100ETE
Connector pin	JN1-22-22S-PKG100		20	MFECA0200ETE
Cable	0.2 mm <sup>2</sup> x3P (6-wire)	Ok Electric Cable Co., Ltd.		



Motor Cable (without Brake)

\* It doesn't correspond to IP65 and IP67.

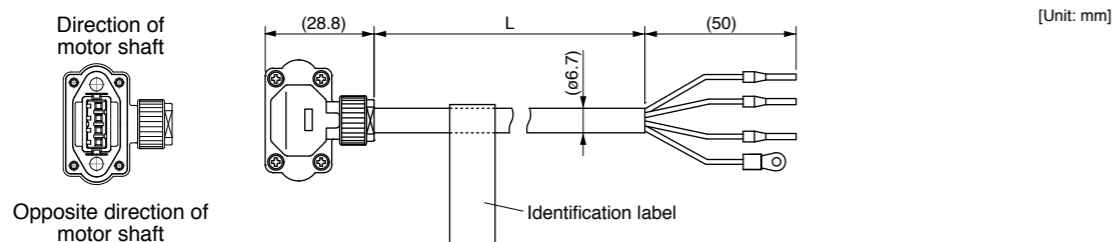
Part No.	MFMCA0 ** 0EED	80 mm sq. or less Applicable model	MSMF 50 W to 1000 W,	MQMF 100 W to 400 W
			MHMF 50 W to 1000 W (Leadwire type)	



[Unit: mm]

Title	Part No.	Manufacturer	L (m)	Part No.(ex.)
Connector	172159-1	Tyco Electronics Japan	3	MFMCA0030EED
Cable clamp	170366-1	G.K.	5	MFMCA0050EED
Rod terminal	A10.75-8GY	PHOENIX CONTACT	10	MFMCA0100EED
Nylon insulated round terminal	N1.25-M4	J.S.T Mfg. Co., Ltd.	20	MFMCA0200EED
Cable	ROBO-TOP 600V 0.75 mm <sup>2</sup> 4-wire	DYDEN CORPORATION		

Part No.	MFMCA0 ** 0NJD	(Highly bendable type, Direction of motor shaft)	80 mm sq. or less Applicable model	MSMF 50 W to 1000 W (Connector type)
	MFMCA0 ** 0RJD	(Standard bendable type, Direction of motor shaft)		
	MFMCA0 ** 0NKD	(Highly bendable type, Opposite direction of motor shaft)		MSMF 200 W to 1000 W (Connector type)
	MFMCA0 ** 0RKD	(Standard bendable type, Opposite direction of motor shaft)		

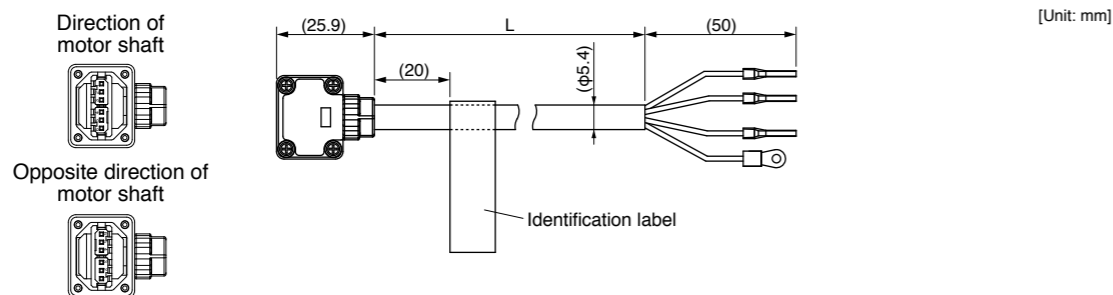


[Unit: mm]

**<Remarks>**  
Motor cable for opposite direction of motor shaft cannot be used with a motor 50 W and 100 W.

Title	Part No.	Manufacturer	L (m)	Part No.(ex.)
Connector	JN8FT04SJ1	Japan Aviation Electronics Ind.	3	MFMCA0030NJD
Cable clamp	ST-TMH-S-C1B-3500	Electronics Ind.	5	MFMCA0050NJD
Rod terminal	A10.75-8GY	PHOENIX CONTACT	10	MFMCA0100NJD
Nylon insulated round terminal	N1.25-M4	J.S.T Mfg. Co., Ltd.	20	MFMCA0200NJD
Cable	AWG18 4-wire (φ6.7 mm)	Hitachi Cable, Ltd.		

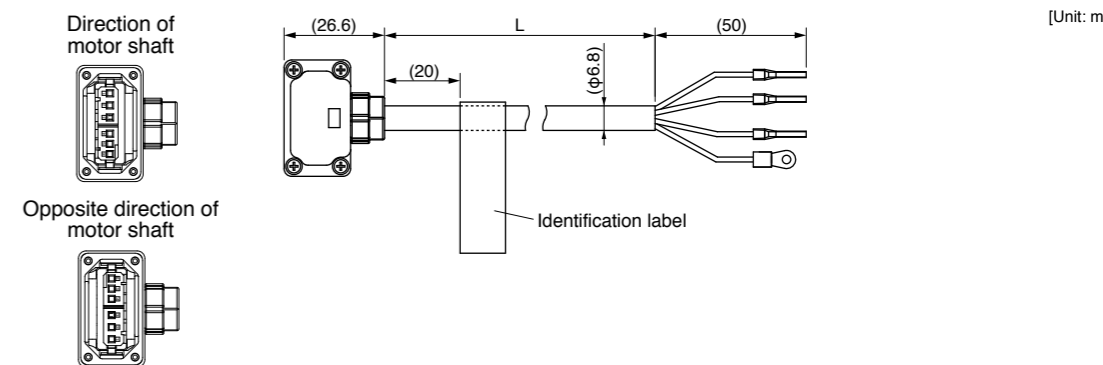
Part No.	MFMCA0 ** 7UFD	(Movable/fixed common-use, direction of motor shaft)	80 mm sq. or less Applicable model	MHMF 50 W, 100 W (Connector type)
	MFMCA0 ** 7UGD	(Movable/fixed common-use, opposite direction of motor shaft)		



[Unit: mm]

Title	Part No.	Manufacturer	L (m)	Part No.(ex.)
Connector	JN11FH06SN2	Japan Aviation Electronics Ind.	3	MFMCA0037UFD
Cable clamp	JN11S10K4A1	Electronics Ind.	5	MFMCA0057UFD
Rod terminal	A10.75-8GY	PHOENIX CONTACT	10	MFMCA0107UFD
Nylon insulated round terminal	N1.25-M4	J.S.T Mfg. Co., Ltd.	20	MFMCA0207UFD
Cable	AWG22 6-wire (φ5.4 mm)	NIKKO ELECTRIC WIRE CO.,LTD		

Part No.	MFMCA0 ** 0UFD	(Highly bendable type, Direction of motor shaft)	80 mm sq. or less Applicable model	MQMF 100 W to 400 W MHMF 200 W to 1000 W (Connector type)
	MFMCA0 ** 0UGD	(Highly bendable type, Opposite direction of motor shaft)		
	MFMCA0 ** 0WFD	(Standard bendable type, Direction of motor shaft)		
	MFMCA0 ** 0WGD	(Standard bendable type, Opposite direction of motor shaft)		

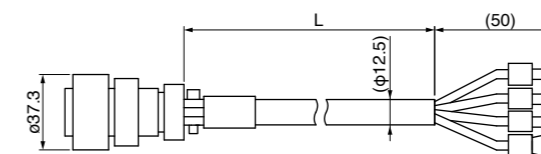


[Unit: mm]

Title	Part No.	Manufacturer	L (m)	Part No.(ex.)
Connector	JN11FH06SN1	Japan Aviation Electronics Ind.	3	MFMCA0030UFD
Cable clamp	JN11S35H3A1	Electronics Ind.	5	MFMCA0050UFD
Rod terminal	A10.75-8GY	PHOENIX CONTACT	10	MFMCA0100UFD
Nylon insulated round terminal	N1.25-M4	J.S.T Mfg. Co., Ltd.	20	MFMCA0200UFD
Cable	AWG18 6-wire (φ6.8)	NIKKO ELECTRIC WIRE CO.,LTD		

Part No.	MFMCD0 ** 2EUD	100 mm sq. or more Applicable model	MSMF 1.0 kW to 2.0 kW,	MDMF 1.0 kW to 2.0 kW
			MHMF 1.0 kW, 1.5 kW, <One-touch lock type>	MGMF 0.85 kW to 1.8 kW

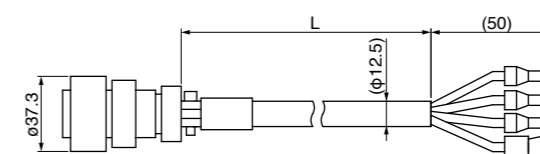
[Unit: mm]



Title	Part No.	Manufacturer	L (m)	Part No.(ex.)
Connector	JL10-6A20-4SE-EB	Japan Aviation Electronics Ind.	3	MFMCD0032EUD
Cable clamp	JL04-2022CK(14)-R	Electronics Ind.	5	MFMCD0052EUD
Rod terminal	NTUB-2	J.S.T Mfg. Co., Ltd.	10	MFMCD0102EUD
Nylon insulated round terminal	N2-M4	J.S.T Mfg. Co., Ltd.	20	MFMCD0202EUD
Cable	ROBO-TOP 600V 2.0mm <sup>2</sup> 4-wire	DYDEN CORPORATION		

Part No.	MFMCD0 ** 2ECD	100 mm sq. or more Applicable model	MSMF 1.0 kW to 2.0 kW,	MDMF 1.0 kW to 2.0 kW
			MHMF 1.0 kW, 1.5 kW, <Screwed type>	MGMF 0.85 kW to 1.8 kW

[Unit: mm]

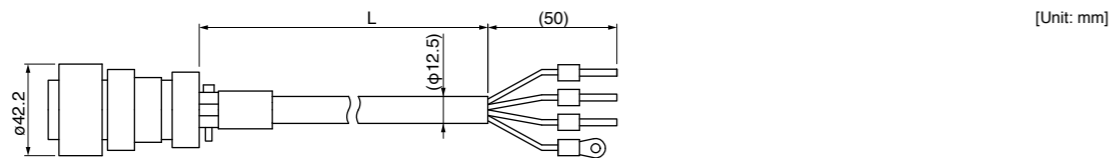


Title	Part No.	Manufacturer	L (m)	Part No.(ex.)
Connector	JL04V-6A20-4SE-EB-R	Japan Aviation Electronics Ind.	3	MFMCD0032ECD
Cable clamp	JL04-2022CK(14)-R	Electronics Ind.	5	MFMCD0052ECD
Rod terminal	NTUB-2	J.S.T Mfg. Co., Ltd.	10	MFMCD0102ECD
Nylon insulated round terminal	N2-M4	J.S.T Mfg. Co., Ltd.	20	MFMCD0202ECD
Cable	ROBO-TOP 600V 2.0mm <sup>2</sup> 4-wire	DYDEN CORPORATION		

Motor Cable (without Brake)

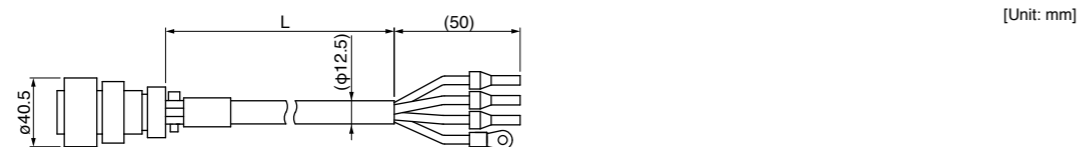
\* It doesn't correspond to IP65 and IP67.

Part No.	<b>MFMC EO ** 2EUD</b>	100 mm sq. or more Applicable model	MHMF 2.0 kW <One-touch lock type>
----------	------------------------	--	-----------------------------------



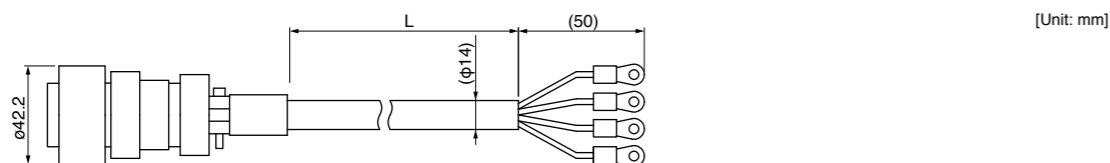
Title	Part No.	Manufacturer	L (m)	Part No.(ex.)
Connector	JL10-6A22-22SE-EB	Japan Aviation Electronics Ind.	3	MFMC EO032EUD
Cable clamp	JL04-2022CK(14)-R	Japan Aviation Electronics Ind.	5	MFMC EO052EUD
Rod terminal	NTUB-2	J.S.T Mfg. Co., Ltd.	10	MFMC EO102EUD
Nylon insulated round terminal	N2-M4	J.S.T Mfg. Co., Ltd.	20	MFMC EO202EUD
Cable	ROBO-TOP DP6/2501 2.0 mm <sup>2</sup> 4-wire	DYDEN CORPORATION		

Part No.	<b>MFMC EO ** 2ECD</b>	100 mm sq. or more Applicable model	MHMF 2.0 kW <Screwed type>
----------	------------------------	--	----------------------------



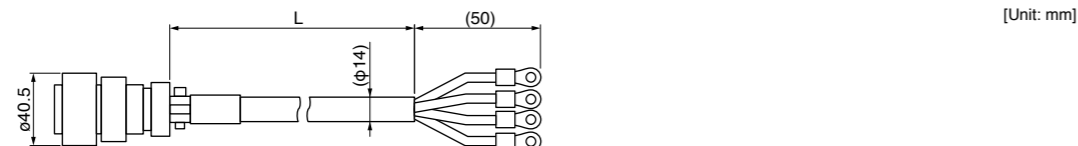
Title	Part No.	Manufacturer	L (m)	Part No.(ex.)
Connector	JL04V-6A22-22SE-EB-R	Japan Aviation Electronics Ind.	3	MFMC EO032ECD
Cable clamp	JL04-2022CK(14)-R	Japan Aviation Electronics Ind.	5	MFMC EO052ECD
Rod terminal	NTUB-2	J.S.T Mfg. Co., Ltd.	10	MFMC EO102ECD
Nylon insulated round terminal	N2-M4	J.S.T Mfg. Co., Ltd.	20	MFMC EO202ECD
Cable	ROBO-TOP 600V 2.0 mm <sup>2</sup> 4-wire	DYDEN CORPORATION		

Part No.	<b>MFMC AO ** 3EUT</b>	100 mm sq. or more Applicable model	MSMF 3.0 kW to 5.0 kW, MDMF 3.0 kW to 5.0 kW MHMF 3.0 kW to 5.0 kW, MGMF 2.9 kW to 4.4 kW <One-touch lock type>
----------	------------------------	--	---



Title	Part No.	Manufacturer	L (m)	Part No.(ex.)
Connector	JL10-6A22-11SE-EB	Japan Aviation Electronics Ind.	3	MFMC AO033EUT
Cable clamp	JL04-2022CK(14)-R	Japan Aviation Electronics Ind.	5	MFMC AO053EUT
Nylon insulated round terminal	N5.5-5	J.S.T Mfg. Co., Ltd.	10	MFMC AO103EUT
Cable	ROBO-TOP DP6/2501 3.5 mm <sup>2</sup> 4-wire	DYDEN CORPORATION	20	MFMC AO203EUT

Part No.	<b>MFMC AO ** 3ECT</b>	100 mm sq. or more Applicable model	MSMF 3.0 kW to 5.0 kW, MDMF 3.0 kW to 5.0 kW MHMF 3.0 kW to 5.0 kW, MGMF 2.9 kW to 4.4 kW <Screwed type>
----------	------------------------	--	--

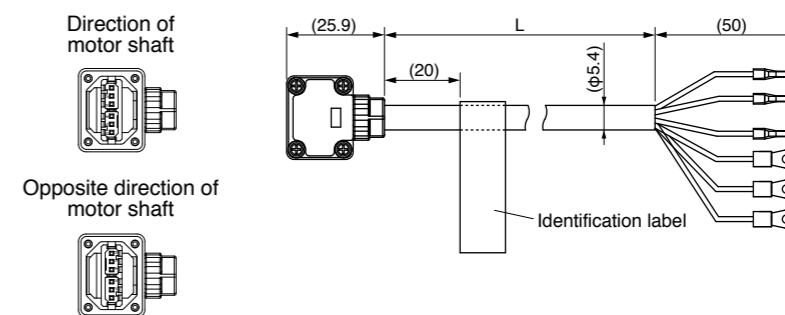


Title	Part No.	Manufacturer	L (m)	Part No.(ex.)
Connector	JL04V-6A22-22SE-EB-R	Japan Aviation Electronics Ind.	3	MFMC AO033ECT
Cable clamp	JL04-2022CK(14)-R	Japan Aviation Electronics Ind.	5	MFMC AO053ECT
Nylon insulated round terminal	N5.5-5	J.S.T Mfg. Co., Ltd.	10	MFMC AO103ECT
Cable	ROBO-TOP 600V 3.5 mm <sup>2</sup> 4-wire	DYDEN CORPORATION	20	MFMC AO203ECT

Motor Cable (with Brake)

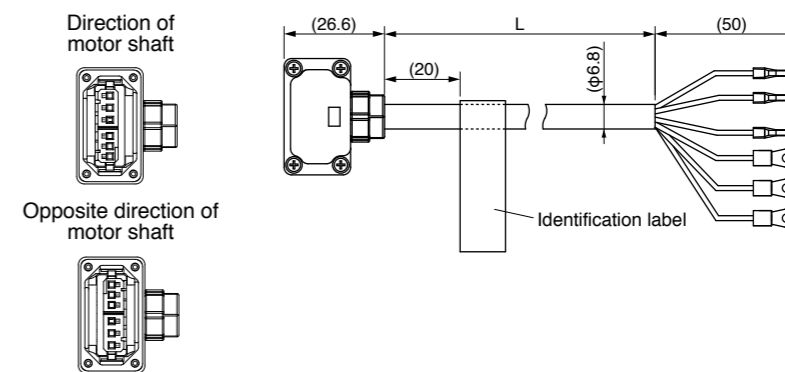
\* It doesn't correspond to IP65 and IP67.

Part No.	<b>MFMC AO ** 7VFD</b>	(Movable/fixed common-use, direction of motor shaft)	80 mm sq. or less Applicable model	MHMF 50 W, 100 W (Connector type)
	<b>MFMC AO ** 7VGD</b>	(Movable/fixed common-use, opposite direction of motor shaft)		



Title	Part No.	Manufacturer	L (m)	Part No.(ex.)
Connector	JN11FH06SN2	Japan Aviation Electronics Ind.	3	MFMC AO037VFD
Cable clamp	JN11S10K4A1	Japan Aviation Electronics Ind.	5	MFMC AO057VFD
Rod terminal	A10.75-8GY	PHOENIX CONTACT	10	MFMC AO107VFD
Nylon insulated round terminal	N1.25-M4	J.S.T Mfg. Co., Ltd.	20	MFMC AO207VFD
Cable	AWG22 6-wire (φ5.4 mm)	NIKKO ELECTRIC WIRE CO.,LTD		

Part No.	<b>MFMC AO ** 0VFD</b>	(Highly bendable type, Direction of motor shaft)	80 mm sq. or less Applicable model	MQMF 100 W to 400 W MHMF 200 W to 1000 W (Connector type)
	<b>MFMC AO ** 0VGD</b>	(Highly bendable type, Opposite direction of motor shaft)		
	<b>MFMC AO ** 0XFD</b>	(Standard bendable type, Direction of motor shaft)		
	<b>MFMC AO ** 0XGD</b>	(Standard bendable type, Opposite direction of motor shaft)		

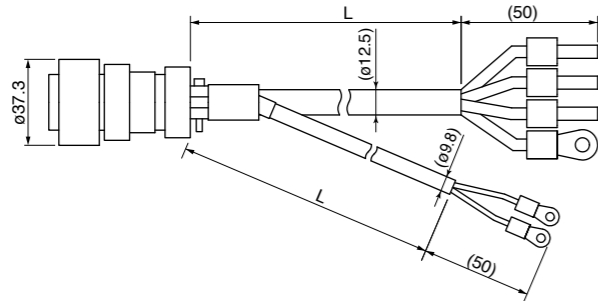


Title	Part No.	Manufacturer	L (m)	Part No.(ex.)
Connector	JN11FH06SN1	Japan Aviation Electronics Ind.	3	MFMC AO030VFD
Cable clamp	JN11S35H3A1	Japan Aviation Electronics Ind.	5	MFMC AO050VFD
Rod terminal	A10.75-8GY	PHOENIX CONTACT	10	MFMC AO100VFD
Nylon insulated round terminal	N1.25-M4	J.S.T Mfg. Co., Ltd.	20	MFMC AO200VFD
Cable	AWG18 6-wire (φ6.8 mm)	NIKKO ELECTRIC WIRE CO.,LTD		

Motor Cable (with Brake)

\* It doesn't correspond to IP65 and IP67.

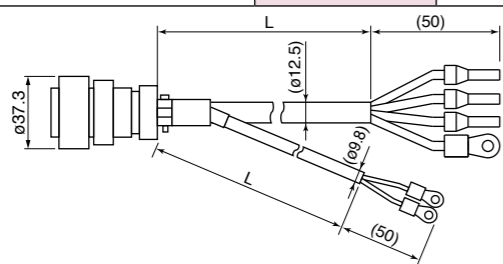
<b>Part No.</b>	<b>MFMCA0 ** 2FUD</b>	<b>100 mm sq. or more Applicable model</b>	MSMF 1.0 kW to 2.0 kW, MHMF 1.0 kW to 1.5 kW, <One-touch lock type>	MDMF 1.0 kW to 2.0 kW MGMF 0.85 kW to 1.8 kW
-----------------	-----------------------	--	---	---



[Unit: mm]

Title	Part No.	Manufacturer	L (m)	Part No.(ex.)
Connector	JL10-6A20-18SE-EB	Japan Aviation Electronics Ind.	3	MFMCA0032FUD
Cable clamp	JL042022CK(14)-R	Japan Aviation Electronics Ind.	5	MFMCA0052FUD
Rod terminal	NTUB-2	J.S.T Mfg. Co., Ltd.	10	MFMCA0102FUD
Nylon insulated round terminal	Earth: N2-M4 Brake: N1.25-M4	J.S.T Mfg. Co., Ltd.	20	MFMCA0202FUD
Cable	ROBO-TOP 600V 2.0 mm <sup>2</sup> 4-wire ROBO-TOP 600V 0.75 mm <sup>2</sup> 2-wire	DYDEN CORPORATION		

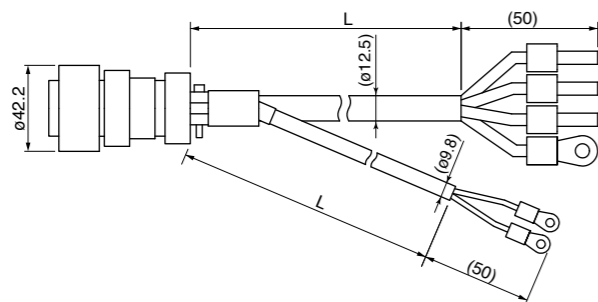
<b>Part No.</b>	<b>MFMCA0 ** 2FCD</b>	<b>100 mm sq. or more Applicable model</b>	MSMF 1.0 kW to 2.0 kW, MHMF 1.0 kW to 1.5 kW, <Screwed type>	MDMF 1.0 kW to 2.0 kW MGMF 0.85 kW to 1.8 kW
-----------------	-----------------------	--	--	---



[Unit: mm]

Title	Part No.	Manufacturer	L (m)	Part No.(ex.)
Connector	JL04V-6A20-18SE-EB-R	Japan Aviation Electronics Ind.	3	MFMCA0032FCD
Cable clamp	JL04-2022CK(14)-R	Japan Aviation Electronics Ind.	5	MFMCA0052FCD
Rod terminal	NTUB-2	J.S.T Mfg. Co., Ltd.	10	MFMCA0102FCD
Nylon insulated round terminal	Earth: N2-M4 Brake: N1.25-M4	J.S.T Mfg. Co., Ltd.	20	MFMCA0202FCD
Cable	ROBO-TOP 600V 2.0 mm <sup>2</sup> 4-wire ROBO-TOP 600V 0.75 mm <sup>2</sup> 2-wire	DYDEN CORPORATION		

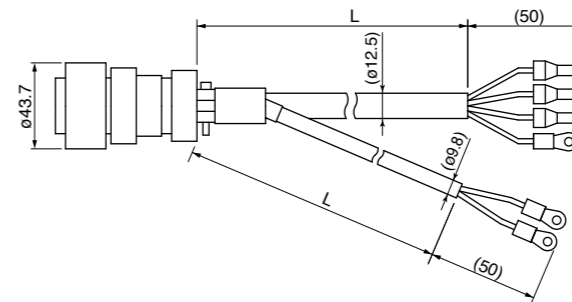
<b>Part No.</b>	<b>MFMCE0 ** 2FUD</b>	<b>100 mm sq. or more Applicable model</b>	MHMF 2.0 kW <One-touch lock type>
-----------------	-----------------------	--	-----------------------------------



[Unit: mm]

Title	Part No.	Manufacturer	L (m)	Part No.(ex.)
Connector	JL10-6A24-11SE-EB	Japan Aviation Electronics Ind.	3	MFMCE0032FUD
Cable clamp	JL04-2428CK(17)-R	Japan Aviation Electronics Ind.	5	MFMCE0052FUD
Rod terminal	NTUB-2	J.S.T Mfg. Co., Ltd.	10	MFMCE0102FUD
Nylon insulated round terminal	Earth: N2-M4 Brake: N1.25-M4	J.S.T Mfg. Co., Ltd.	20	MFMCE0202FUD
Cable	ROBO-TOP DP6/2501 2.0 mm <sup>2</sup> 4-wire ROBO-TOP DP6/2501 0.75 mm <sup>2</sup> 2-wire	DYDEN CORPORATION		

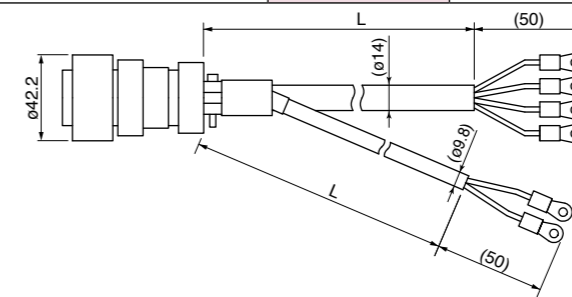
<b>Part No.</b>	<b>MFMCE0 ** 2FCD</b>	<b>100 mm sq. or more Applicable model</b>	MHMF 2.0 kW <Screwed type>
-----------------	-----------------------	--	----------------------------



[Unit: mm]

Title	Part No.	Manufacturer	L (m)	Part No.(ex.)
Connector	JL04V-6A24-11SE-EB-R	Japan Aviation Electronics Ind.	3	MFMCE0032FCD
Cable clamp	JL04-2428CK(17)-R	Japan Aviation Electronics Ind.	5	MFMCE0052FCD
Rod terminal	NTUB-2	J.S.T Mfg. Co., Ltd.	10	MFMCE0102FCD
Nylon insulated round terminal	Earth: N2-M4 Brake: N1.25-M4	J.S.T Mfg. Co., Ltd.	20	MFMCE0202FCD
Cable	ROBO-TOP 600V 2.0 mm <sup>2</sup> 4-wire ROBO-TOP 600V 0.75 mm <sup>2</sup> 2-wire	DYDEN CORPORATION		

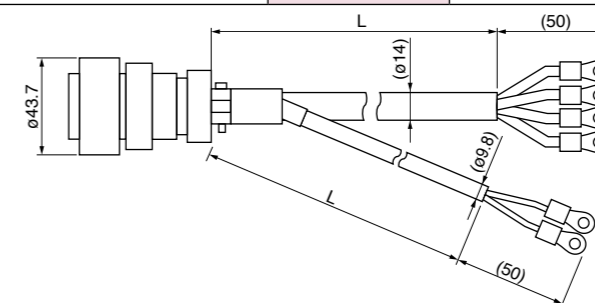
<b>Part No.</b>	<b>MFMCA0 ** 3FUT</b>	<b>100 mm sq. or more Applicable model</b>	MSMF 3.0 kW to 5.0 kW, MHMF 3.0 kW to 5.0 kW, <One-touch lock type>	MDMF 3.0 kW to 5.0 kW MGMF 2.9 kW, 4.4 kW
-----------------	-----------------------	--	---	--



[Unit: mm]

Title	Part No.	Manufacturer	L (m)	Part No.(ex.)
Connector	JL10-6A24-11SE-EB	Japan Aviation Electronics Ind.	3	MFMCA0033FUT
Cable clamp	JL04-2428CK(17)-R	Japan Aviation Electronics Ind.	5	MFMCA0053FUT
Rod terminal	NTUB-2	J.S.T Mfg. Co., Ltd.	10	MFMCA0103FUT
Nylon insulated round terminal	Earth: N5.5-5 Brake: N1.25-M4	J.S.T Mfg. Co., Ltd.	20	MFMCA0203FUT
Cable	ROBO-TOP DP6/2501 3.5 mm <sup>2</sup> 4-wire ROBO-TOP DP6/2501 0.75 mm <sup>2</sup> 2-wire	DYDEN CORPORATION		

<b>Part No.</b>	<b>MFMCA0 ** 3FCT</b>	<b>100 mm sq. or more Applicable model</b>	MSMF 3.0 kW to 5.0 kW, MHMF 3.0 kW to 5.0 kW, <Screwed type>	MDMF 3.0 kW to 5.0 kW MGMF 2.9 kW, 4.4 kW
-----------------	-----------------------	--	--	--



[Unit: mm]

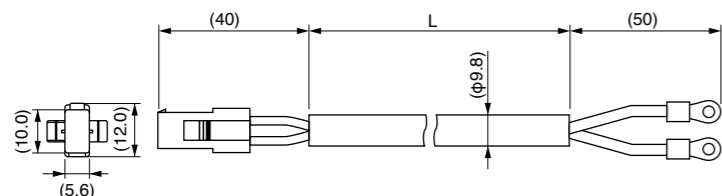
Title	Part No.	Manufacturer	L (m)	Part No.(ex.)
Connector	JL04V-6A24-11SE-EB-R	Japan Aviation Electronics Ind.	3	MFMCA0033FCT
Cable clamp	JL04-2428CK(17)-R	Japan Aviation Electronics Ind.	5	MFMCA0053FCT
Rod terminal	NTUB-2	J.S.T Mfg. Co., Ltd.	10	MFMCA0103FCT
Nylon insulated round terminal	Earth: N5.5-5 Brake: N1.25-M4	J.S.T Mfg. Co., Ltd.	20	MFMCA0203FCT
Cable	ROBO-TOP 600V 3.5 mm <sup>2</sup> 4-wire ROBO-TOP 600V 0.75 mm <sup>2</sup> 2-wire	DYDEN CORPORATION		

This product does not correspond to IP67.

Brake Cable

\* It doesn't correspond to IP65 and IP67.

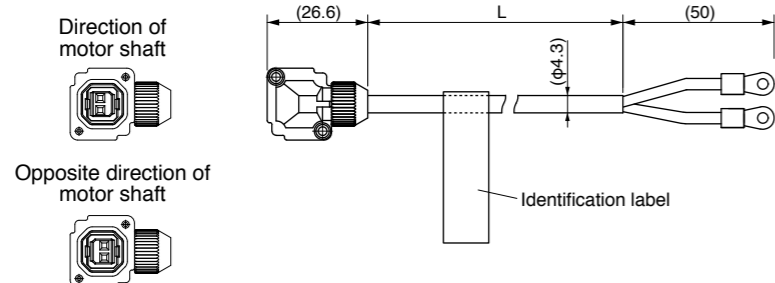
Part No.	MFMCB0 ** 0GET	80 mm sq. or less Applicable model	MSMF 50 W to 1000 W, MHMF 50 W to 1000 W (Leadwire type)	MQMF 100 W to 400 W
----------	----------------	---------------------------------------	--	---------------------



[Unit: mm]

Title	Part No.	Manufacturer	L (m)	Part No.(ex.)
Connector	172157-1	Tyco Electronics Japan	3	MFMCB0030GET
Connector pin	170366-1, 170362-1	G.K.	5	MFMCB0050GET
Nylon insulated round terminal	N1.25-M4	J.S.T Mfg. Co., Ltd.	10	MFMCB0100GET
Cable	ROBO-TOP 600V 0.75 mm <sup>2</sup> 2-wire	DYDEN CORPORATION	20	MFMCB0200GET

Part No.	MFMCB0 ** 0PJT (Highly bendable type, Direction of motor shaft)	80 mm sq. or less Applicable model	MSMF 50 W to 1000 W (Connector type)
	MFMCB0 ** 0PKT (Highly bendable type, Opposite direction of motor shaft)		
	MFMCB0 ** 0SJT (Standard bendable type, Direction of motor shaft)		
	MFMCB0 ** 0SKT (Standard bendable type, Opposite direction of motor shaft)		



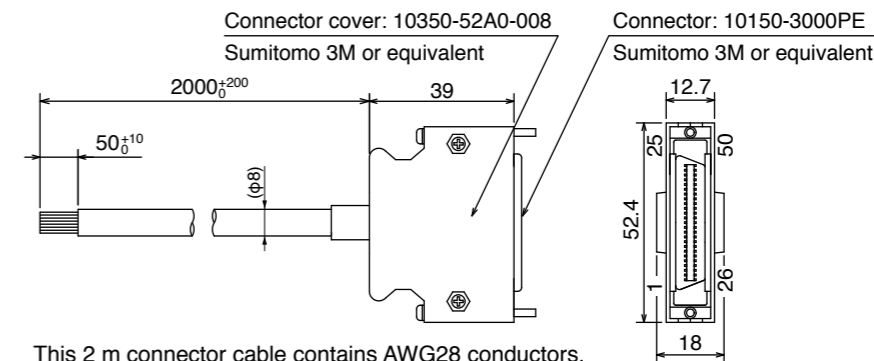
[Unit: mm]

Title	Part No.	Manufacturer	L (m)	Part No.(ex.)
Connector	JN4FT02SJMR	Japan Aviation Electronics Ind.	3	MFMCB0030PJT
Connector pin	ST-TMH-S-C1B-3500	Japan Aviation Electronics Ind.	5	MFMCB0050PJT
Nylon insulated round terminal	N1.25-M4	J.S.T Mfg. Co., Ltd.	10	MFMCB0100PJT
Cable	AWG22 2-wire (φ4.3)	Hitachi Cable, Ltd.	20	MFMCB0200PJT

Interface Cable

Cable for Interface

Part No.	DV0P4360
----------	----------



This 2 m connector cable contains AWG28 conductors.

[Unit: mm]

• Table for wiring

Pin No.	color	Pin No.	color	Pin No.	color	Pin No.	color	Pin No.	color
1	Orange (Red1)	11	Orange (Black2)	21	Orange (Red3)	31	Orange (Red4)	41	Orange (Red5)
2	Orange (Black1)	12	Yellow (Black1)	22	Orange (Black3)	32	Orange (Black4)	42	Orange (Black5)
3	Gray (Red1)	13	Gray (Red2)	23	Gray (Red3)	33	Gray (Red4)	43	Gray (Red5)
4	Gray (Black1)	14	Gray (Black2)	24	Gray (Black3)	34	White (Red4)	44	White (Red5)
5	White (Red1)	15	White (Red2)	25	White (Red3)	35	White (Black4)	45	White (Black5)
6	White (Black1)	16	Yellow (Red2)	26	White (Black3)	36	Yellow (Red4)	46	Yellow (Red5)
7	Yellow (Red1)	17	Yel (Blk2)/Pink (Blk2)	27	Yellow (Red3)	37	Yellow (Black4)	47	Yellow (Black5)
8	Pink (Red1)	18	Pink (Red2)	28	Yellow (Black3)	38	Pink (Red4)	48	Pink (Red5)
9	Pink (Black1)	19	White (Black2)	29	Pink (Red3)	39	Pink (Black4)	49	Pink (Black5)
10	Orange (Red2)	20	-	30	Pink (Black3)	40	Gray (Black4)	50	Gray (Black5)

<Remarks>

Color designation of the cable e.g.) Pin-1 Cable color : Orange (Red1) : One red dot on the cable  
The shield of this cable is connected to the connector shell but not to the terminal.

Interface Conversion Cable

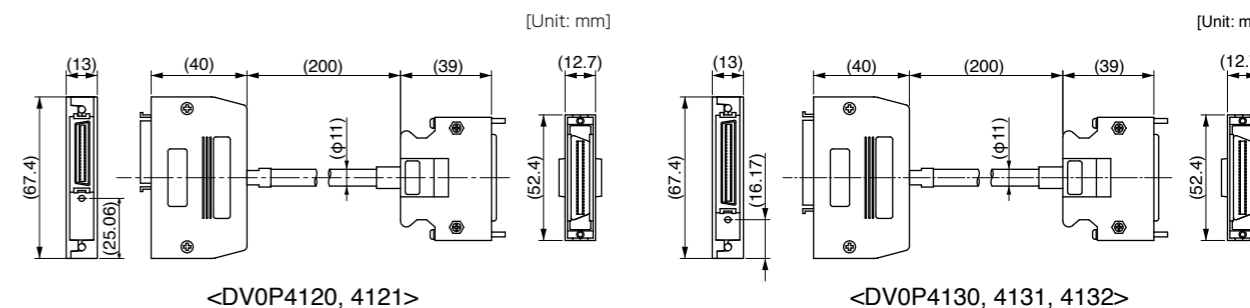
Part No.	DV0P4120, 4121, 4130, 4131, 4132
----------	----------------------------------

Interface cables for old product (XX series or V series) can be connected to the current product by using the connector conversion cable shown below.

DV0P4120	MINAS XX → A6 series (A5II, A5, A4, A series) for position control/ velocity control
DV0P4121	MINAS XX → A6 series (A5II, A5, A4, A series) for torque control
DV0P4130	MINAS V → A6 series (A5II, A5, A4, A series) for position control
DV0P4131	MINAS V → A6 series (A5II, A5, A4, A series) for velocity control
DV0P4132	MINAS V → A6 series (A5II, A5, A4, A series) for torque control

\* For details of wiring, contact our sales department.

Converts 36-pin configuration to 50-pin.



<DV0P4120, 4121>

<DV0P4130, 4131, 4132>

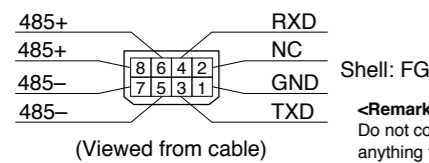
Connector Kit for Communication Cable (for RS485, RS232) (Excluding A6 SE Series)

Part No.	DV0PM20024
----------	------------

• Components

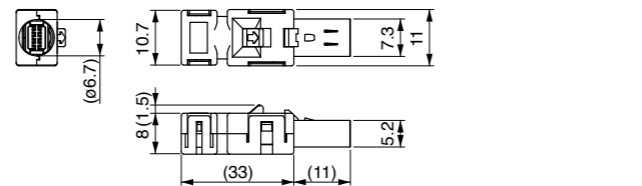
Title	Part No.	Manufacturer	Note
Connector	2040008-1	Tyco Electronics Japan G.K.	For Connector X2 (8-pins)

• Pin disposition of connector, connector X2



Shell: FG  
 <Remarks>  
 Do not connect anything to NC.

• Dimensions



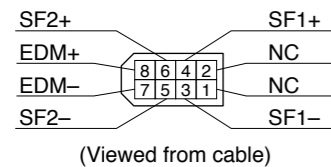
Connector Kit for Safety (Excluding A6 SE, A6 SG Series)

Part No.	DV0PM20025
----------	------------

• Components

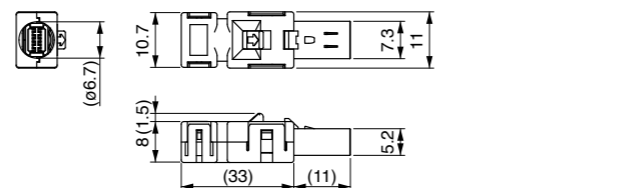
Title	Part No.	Manufacturer	Note
Connector	2013595-1	Tyco Electronics Japan G.K.	For Connector X3 (8-pins)

• Pin disposition of connector, connector X3



Shell: FG  
 <Remarks>  
 Do not connect anything to NC.

• Dimensions



Safety bypass plug (Excluding A6 SE, A6 SG Series)

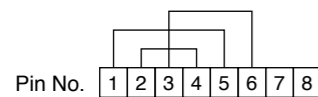
Part No.	DV0PM20094
----------	------------

• Components

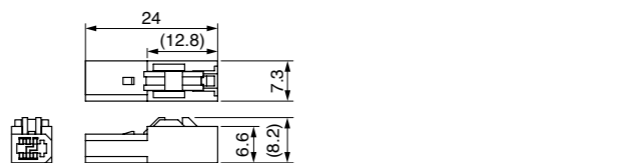
Title	Part No.	Manufacturer	Note
Connector	CIF-PB08AK-GF1R	J.S.T Mfg. Co., Ltd.	For Connector X3

• Internal wiring

(Wiring of the following has been applied inside the plug.)



• Dimensions (Resin color : black)



<Remarks>

- For crimp tool etc., necessary to produce a cable, access the web site of the manufacturer or consult with the manufacturer for details. For inquiries of manufacturer, refer to P.200 "List of Peripheral Equipments".

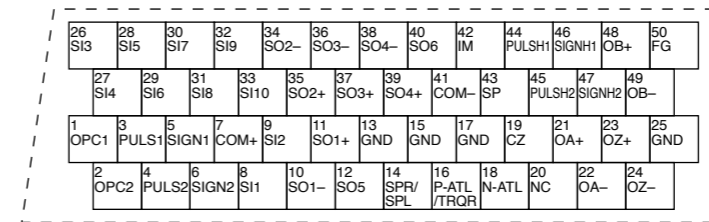
Connector Kit for Interface

Part No.	DV0P4350
----------	----------

• Components

Title	Part No.	Number	Manufacturer	Note
Connector	10150-3000PE	1	Sumitomo 3M (or equivalent)	For Connector X4 (50-pins)
Connector cover	10350-52A0-008	1		

• Pin disposition (50 pins) (viewed from the soldering side)



- 1) Check the stamped pin-No. on the connector body while making a wiring.
- 2) For the function of each signal title or its symbol, refer to the operating manual.
- 3) Do not connect anything to NC pins in the above table.

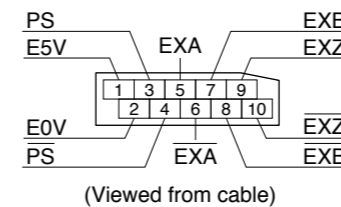
Connector Kit for External Scale (Excluding A6 SE, A6 SG Series)

Part No.	DV0PM20026
----------	------------

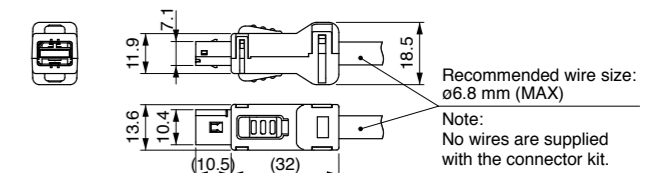
• Components

Title	Part No.	Manufacturer	Note
Connector	MUF-PK10K-X	J.S.T Mfg. Co., Ltd.	For Connector X5 (10-pins)

• Pin disposition of connector, connector X5



• Dimensions



Recommended wire size: ø6.8 mm (MAX)  
 Note:  
 No wires are supplied with the connector kit.

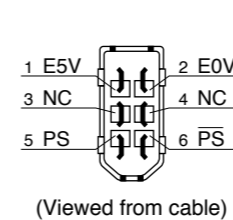
Connector Kit for Encoder

Part No.	DV0PM20010
----------	------------

• Components

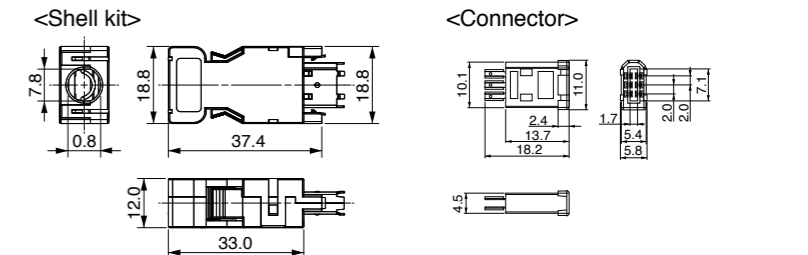
Title	Part No.	Manufacturer	Note
Connector (Driver side)	3E206-0100 KV	Sumitomo 3M (or equivalent)	For Connector X6
Shell kit	3E306-3200-008		

• Pin disposition of connector, connector X6



Shell: FG  
 <Remarks>  
 Do not connect anything to NC.

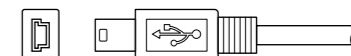
• Dimensions



<Remarks>

- Connector X1: use with commercially available cable.

• Configuration of connector X1: USB mini-B



Connector Kit for Power Supply Input

Part No. DV0PM20032 (For A-frame to D-frame: Single row type) ● Please refer to the Dimensions of driver P.47 for connector XA.

• Components

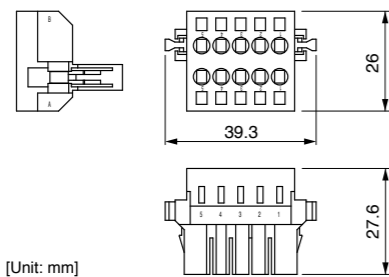
Title	Part No.	Number	Manufacturer	Note
Connector	05JFAT-SAXGF	1	J.S.T Mfg. Co., Ltd.	For Connector XA
Handle lever	J-FAT-OT	2		

Part No. DV0PM20033 (For A-frame to D-frame: Double row type)

• Components

Title	Part No.	Number	Manufacturer	Note
Connector	05JFAT-SAXGSA-C	1	J.S.T Mfg. Co., Ltd.	For Connector XA
Handle lever	J-FAT-OT	2		

• Dimensions



Driver part No.	Power supply	Rated input current
MADL * 01 * *	Single phase 100 V	1.7 A
MADL * 11 * *	Single phase 100 V	2.0 A
MADL * 05 * *	Single phase/3-phase 200 V	1.6 A/0.9 A
MADL * 15 * *	Single phase/3-phase 200 V	2.0 A/1.1 A
MBDL * 21 * *	Single phase 100 V	4.5 A
MBDL * 25 * *	Single phase/3-phase 200 V	3.7 A/2.1 A
MCDL * 31 * *	Single phase 100 V	7.0 A
MCDL * 35 * *	Single phase/3-phase 200 V	6.4 A/3.4 A
MDDL * 45 * *	Single phase/3-phase 200 V	7.9 A/4.6 A
MDDL * 55 * *	Single phase/3-phase 200 V	13.6 A/7.2 A

\* When connection multiple axes in series, make sure the sum of the current value does not exceed the rated current (11.25 A) of DV0PM20033.

Remarks

When using drivers MDDL \* 55 \* \* in single-phase power supply, do not use DV0PM20033.

Part No. DV0PM20044 (For E-frame)

• Components

Title	Part No.	Number	Manufacturer	Note
Connector	05JFAT-SAXGSA-L	1	J.S.T Mfg. Co., Ltd.	For Connector XA
Handle lever	J-FAT-OT-L	2		

Connector Kit for Regenerative Resistor Connection

Part No. DV0PM20045 (For E-frame)

• Components

Title	Part No.	Number	Manufacturer	Note
Connector	04JFAT-SAXGSA-L	1	J.S.T Mfg. Co., Ltd.	200 V: For Connector XC * Jumper wire is included.
Handle lever	J-FAT-OT-L	2		

<Remarks>

• For crimp tool etc., necessary to produce a cable, access the web site of the manufacturer or consult with the manufacturer for details. For inquiries of manufacturer, refer to P.200 "List of Peripheral Equipments".

Connector Kit for Motor Connection (Driver side)

Part No. DV0PM20034 (For A-frame to D-frame) ● Please refer to the Dimensions of driver P.47 for connector XB.

• Components

Title	Part No.	Number	Manufacturer	Note
Connector	06JFAT-SAXGF	1	J.S.T Mfg. Co., Ltd.	For Connector XB * Jumper wire is included.
Handle lever	J-FAT-OT	2		

Part No. DV0PM20046 (For E-frame) ● Please refer to the Dimensions of driver P.49 for connector XB.

• Components

Title	Part No.	Number	Manufacturer	Note
Connector	03JFAT-SAXGSA-L	1	J.S.T Mfg. Co., Ltd.	For Connector XB
Handle lever	J-FAT-OT-L	2		

Connector Kit for Motor/Encoder Connection

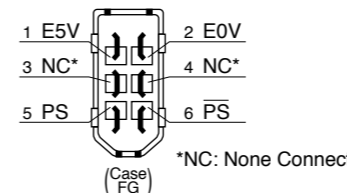
\* When IP65 or IP67 are necessary, the customer must give appropriate processing.

Part No.	DV0P4290	80 mm sq. or less Applicable model	MSMF 50 W to 1000 W *, MQMF 100 W to 400 W MHMF 50 W to 1000 W * (Leadwire type IP65)
			* MSMF092L1□□, MHMF092L1□□

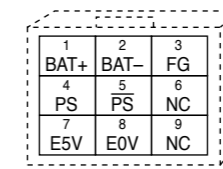
• Components

Title	Part No.	Number	Manufacturer	Note
Connector (Driver side)	3E206-0100 KV	1	Sumitomo 3M (or equivalent)	For Connector X6 (6-pins)
Shell kit	3E306-3200-008	1		
Connector	172161-1	1	Tyco Electronics Japan G.K.	For Encoder cable (9-pins)
Connector pin	170365-1	9		
Connector	172159-1	1	Tyco Electronics Japan G.K.	For Motor cable (4-pins)
Connector pin	170366-1	4		

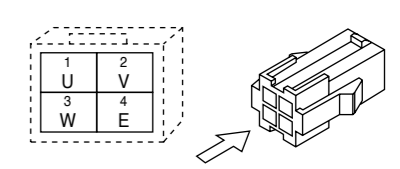
• Pin disposition of connector, connector X6



• Pin disposition of connector for encoder cable



• Pin disposition of connector for motor cable



\* When you connect the battery for absolute encoder, refer to P.194, "When you make your own cable for 23-bit absolute encoder"

<Remarks>

• For crimp tool etc., necessary to produce a cable, access the web site of the manufacturer or consult with the manufacturer for details. For inquiries of manufacturer, refer to P.200 "List of Peripheral Equipments".

Connector Kit for Motor/Encoder Connection

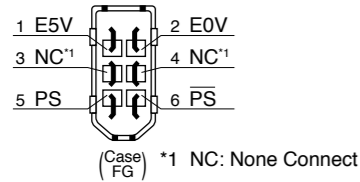
Part No.	DV0PM20035	80 mm sq. or less Applicable model	MSMF 50 W to 1000 W * (Connector type IP67)
----------	------------	---------------------------------------	---

\* MSMF092L1□1

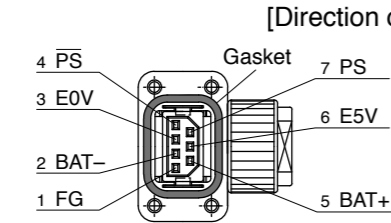
• Components

Title	Part No.	Number	Manufacturer	Note
Connector (Driver side)	3E206-0100 KV	1	Sumitomo 3M	For Connector X6 (6-pins)
Shell kit	3E306-3200-008	1	(or equivalent)	
Encoder connector	JN6FR07SM1	1	Japan Aviation Electronics Ind.	For Encoder cable (7-pins)
Socket contact	LY10-C1-A1-10000	7		
Motor connector	JN8FT04SJ1	1	Japan Aviation Electronics Ind.	For Motor cable (4-pins)
Socket contact	ST-TMH-S-C1B-3500	4		

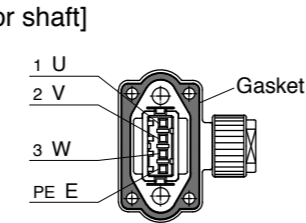
• Pin disposition of connector connector X6



• Pin disposition of connector for encoder cable



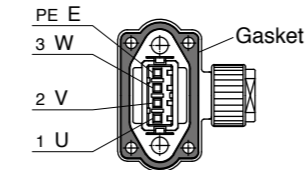
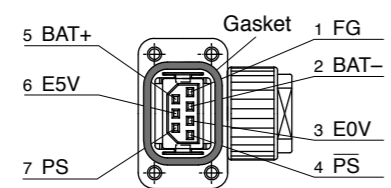
• Pin disposition of connector for motor cable



<Remarks>

Secure the gasket in place without removing it from the connector. Otherwise, the degree of protection of IP67 will not be guaranteed.

[Opposite direction of motor shaft]



\* Pins 2 and 5 are left unused (NC) when used in incremental system.

<Remarks>

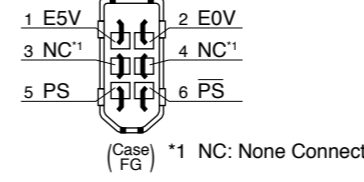
• For crimp tool etc., necessary to produce a cable, access the web site of the manufacturer or consult with the manufacturer for details. For inquiries of manufacturer, refer to P.200 "List of Peripheral Equipments".

Part No.	DV0PM24581	80 mm sq. or less Applicable model	MHMF 50 W, 100 W (Connector type IP67)
----------	------------	---------------------------------------	--

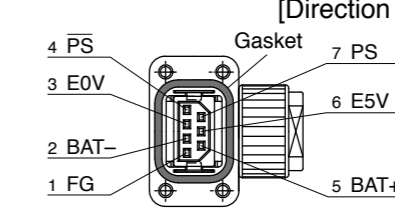
• Components

Title	Part No.	Number	Manufacturer	Note
Connector (Driver side)	3E206-0100 KV	1	Sumitomo 3M	For Connector X6 (6-pins)
Shell kit	3E306-3200-008	1	(or equivalent)	
Encoder connector	JN6FR07SM1	1	Japan Aviation Electronics Ind.	For Encoder cable (7-pins)
Socket contact	LY10-C1-A1-10000	7		
Motor connector	JN11FH06SN2	1	Japan Aviation Electronics Ind.	For Motor cable (6-pins)
Socket contact	JN11S10K4A1	6		

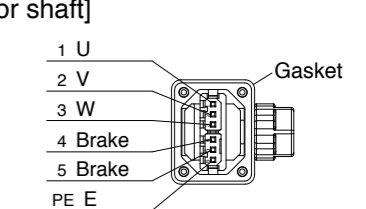
• Pin disposition of connector connector X6



• Pin disposition of connector for encoder cable



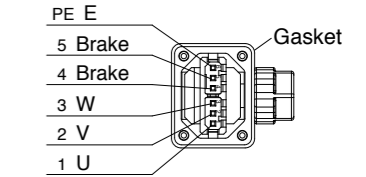
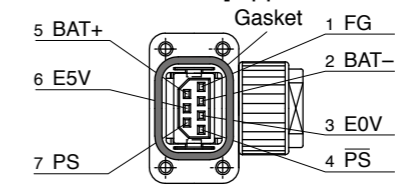
• Pin disposition of connector for motor cable



<Remarks>

Secure the gasket in place without removing it from the connector. Otherwise, the degree of protection of IP67 will not be guaranteed.

[Opposite direction of motor shaft]



\* Pins 2 and 5 are left unused (NC) when used in incremental system.

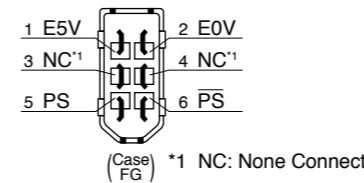
\* 4-pin and 5-pin are not used in case of no brake.

Part No.	DV0PM24582	80 mm sq. or less Applicable model	MQMF 100 W to 400 W, MHMF 200 W to 1000 W (Connector type IP67)
----------	------------	---------------------------------------	---

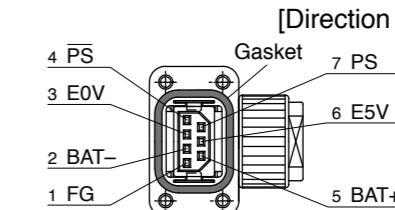
• Components

Title	Part No.	Number	Manufacturer	Note
Connector (Driver side)	3E206-0100 KV	1	Sumitomo 3M	For Connector X6 (6-pins)
Shell kit	3E306-3200-008	1	(or equivalent)	
Encoder connector	JN6FR07SM1	1	Japan Aviation Electronics Ind.	For Encoder cable (7-pins)
Socket contact	LY10-C1-A1-10000	7		
Motor connector	JN11FL06SN1	1	Japan Aviation Electronics Ind.	For Motor cable (6-pins)
Socket contact	JN11S35H3A1	6		

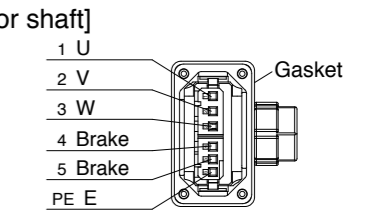
• Pin disposition of connector connector X6



• Pin disposition of connector for encoder cable



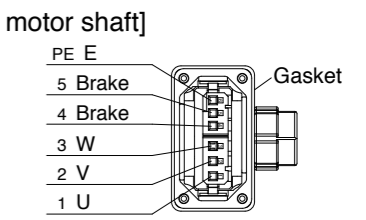
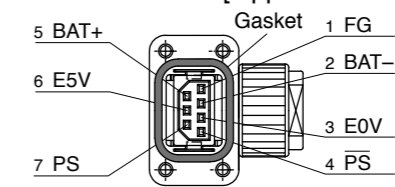
• Pin disposition of connector for motor cable



<Remarks>

Secure the gasket in place without removing it from the connector. Otherwise, the degree of protection of IP67 will not be guaranteed.

[Opposite direction of motor shaft]



\* Pins 2 and 5 are left unused (NC) when used in incremental system.

\* 4-pin and 5-pin are not used in case of no brake.

### Connector Kit for Motor/Encoder Connection

\* When IP65 or IP67 are necessary, the customer must give appropriate processing.

<b>Part No.</b>	<b>DV0PM24583</b>	<b>100 mm sq. or more Applicable model</b>	(IP67 motor) Encoder JN2 <Small size connector> MSMF 1.0 kW * to 2.0 kW, MDMF 1.0 kW to 2.0 kW MHMF 1.0 kW *, 1.5 kW, MGMF 0.85 kW to 1.8 kW	Without brake
-----------------	-------------------	--	--	------------------

• Components

Title	Part No.	Number	Manufacturer	Note
Connector (Driver side)	3E206-0100 KV	1	Sumitomo 3M	For Connector X6 (6-pins)
Shell kit	3E306-3200-008	1	(or equivalent)	
Encoder connector	JN2DS10SL1-R	1	Japan Aviation Electronics Ind.	For Encoder cable
Connector pin	JN1-22-22S-PKG100	5		(One-touch lock type)
Motor connector	JL10-6A20-4SE-EB	1	Japan Aviation Electronics Ind.	For Motor cable
Cable clamp	JL04-2022-CK(14)-R	1		(One-touch lock type)

\* MSMF102L1□□, MHMF102L1□□

<b>Part No.</b>	<b>DV0PM24585</b>	<b>100 mm sq. or more Applicable model</b>	(IP67 motor) Encoder JN2 <Small size connector> MSMF 1.0 kW * to 2.0 kW, MDMF 1.0 kW to 2.0 kW MHMF 1.0 kW *, 1.5 kW, MGMF 0.85 kW to 1.8 kW	With brake
-----------------	-------------------	--	--	---------------

• Components

Title	Part No.	Number	Manufacturer	Note
Connector (Driver side)	3E206-0100 KV	1	Sumitomo 3M	For Connector X6 (6-pins)
Shell kit	3E306-3200-008	1	(or equivalent)	
Encoder connector	JN2DS10SL1-R	1	Japan Aviation Electronics Ind.	For Encoder cable
Connector pin	JN1-22-22S-PKG100	5		(One-touch lock type)
Motor connector	JL10-6A20-18SE-EB	1	Japan Aviation Electronics Ind.	For Motor cable
Cable clamp	JL04-2022-CK(14)-R	1		(One-touch lock type)

\* MSMF102L1□□, MHMF102L1□□

<b>Part No.</b>	<b>DV0PM24587</b>	<b>100 mm sq. or more Applicable model</b>	(IP67 motor) Encoder JL10 <Large size connector> MSMF 1.0 kW * to 2.0 kW, MDMF 1.0 kW to 2.0 kW MHMF 1.0 kW *, 1.5 kW, MGMF 0.85 kW to 1.8 kW	Without brake
-----------------	-------------------	--	---	------------------

• Components

Title	Part No.	Number	Manufacturer	Note
Connector (Driver side)	3E206-0100 KV	1	Sumitomo 3M	For Connector X6 (6-pins)
Shell kit	3E306-3200-008	1	(or equivalent)	
Encoder connector	JL10-6A20-29S	1	Japan Aviation Electronics Ind.	For Encoder cable
Cable clamp	JL04-2022-CK(14)-R	1		(One-touch lock type)
Motor connector	JL10-6A20-4SE-EB	1	Japan Aviation Electronics Ind.	For Motor cable
Cable clamp	JL04-2022-CK(14)-R	1		(One-touch lock type)

\* MSMF102L1□□, MHMF102L1□□

<b>Part No.</b>	<b>DV0PM24589</b>	<b>100 mm sq. or more Applicable model</b>	(IP67 motor) Encoder JL10 <Large size connector> MSMF 1.0 kW * to 2.0 kW, MDMF 1.0 kW to 2.0 kW MHMF 1.0 kW *, 1.5 kW, MGMF 0.85 kW to 1.8 kW	With brake
-----------------	-------------------	--	---	---------------

• Components

Title	Part No.	Number	Manufacturer	Note
Connector (Driver side)	3E206-0100 KV	1	Sumitomo 3M	For Connector X6 (6-pins)
Shell kit	3E306-3200-008	1	(or equivalent)	
Encoder connector	JL10-6A20-29S	1	Japan Aviation Electronics Ind.	For Encoder cable
Cable clamp	JL04-2022-CK(14)-R	1		(One-touch lock type)
Motor connector	JL10-6A20-18SE-EB	1	Japan Aviation Electronics Ind.	For Motor cable
Cable clamp	JL04-2022-CK(14)-R	1		(One-touch lock type)

\* MSMF102L1□□, MHMF102L1□□

<Remarks>

• For crimp tool etc., necessary to produce a cable, access the web site of the manufacturer or consult with the manufacturer for details. For inquiries of manufacturer, refer to P.200 "List of Peripheral Equipments".

<b>Part No.</b>	<b>DV0PM24584</b>	<b>100 mm sq. or more Applicable model</b>	(IP67 motor) Encoder JN2 <Small size connector> MSMF 3.0 kW to 5.0 kW, MDMF 3.0 kW to 5.0 kW MHMF 2.0 kW to 5.0 kW, MGMF 2.9 kW, 4.4 kW	Without brake
-----------------	-------------------	--	---	------------------

• Components

Title	Part No.	Number	Manufacturer	Note
Connector (Driver side)	3E206-0100 KV	1	Sumitomo 3M	For Connector X6 (6-pins)
Shell kit	3E306-3200-008	1	(or equivalent)	
Encoder connector	JN2DS10SL1-R	1	Japan Aviation Electronics Ind.	For Encoder cable
Connector pin	JN1-22-22S-PKG100	5		(One-touch lock type)
Motor connector	JL10-6A22-22SE-EB	1	Japan Aviation Electronics Ind.	For Motor cable
Cable clamp	JL04-2022-CK(14)-R	1		(One-touch lock type)

<b>Part No.</b>	<b>DV0PM24586</b>	<b>100 mm sq. or more Applicable model</b>	(IP67 motor) Encoder JN2 <Small size connector> MSMF 3.0 kW to 5.0 kW, MDMF 3.0 kW to 5.0 kW MHMF 2.0 kW to 5.0 kW, MGMF 2.9 kW, 4.4 kW	With brake
-----------------	-------------------	--	---	---------------

• Components

Title	Part No.	Number	Manufacturer	Note
Connector (Driver side)	3E206-0100 KV	1	Sumitomo 3M	For Connector X6 (6-pins)
Shell kit	3E306-3200-008	1	(or equivalent)	
Encoder connector	JN2DS10SL1-R	1	Japan Aviation Electronics Ind.	For Encoder cable
Connector pin	JN1-22-22S-PKG100	5		(One-touch lock type)
Motor connector	JL10-6A24-11SE-EB	1	Japan Aviation Electronics Ind.	For Motor cable
Cable clamp	JL04-2428-CK(17)-R	1		(One-touch lock type)

<b>Part No.</b>	<b>DV0PM24588</b>	<b>100 mm sq. or more Applicable model</b>	(IP67 motor) Encoder JL10 <Large size connector> MSMF 3.0 kW to 5.0 kW, MDMF 3.0 kW to 5.0 kW MHMF 2.0 kW to 5.0 kW, MGMF 2.9 kW, 4.4 kW	Without brake
-----------------	-------------------	--	--	------------------

• Components

Title	Part No.	Number	Manufacturer	Note
Connector (Driver side)	3E206-0100 KV	1	Sumitomo 3M	For Connector X6 (6-pins)
Shell kit	3E306-3200-008	1	(or equivalent)	
Encoder connector	JL10-6A20-29S	1	Japan Aviation Electronics Ind.	For Encoder cable
Cable clamp	JL04-2022-CK(14)-R	1		(One-touch lock type)
Motor connector	JL10-6A22-22SE-EB	1	Japan Aviation Electronics Ind.	For Motor cable
Cable clamp	JL04-2022-CK(14)-R	1		(One-touch lock type)

<b>Part No.</b>	<b>DV0PM24590</b>	<b>100 mm sq. or more Applicable model</b>	(IP67 motor) Encoder JL10 <Large size connector> MSMF 3.0 kW to 5.0 kW, MDMF 3.0 kW to 5.0 kW MHMF 2.0 kW to 5.0 kW, MGMF 2.9 kW, 4.4 kW	With brake
-----------------	-------------------	--	--	---------------

• Components

Title	Part No.	Number	Manufacturer	Note
Connector (Driver side)	3E206-0100 KV	1	Sumitomo 3M	For Connector X6 (6-pins)
Shell kit	3E306-3200-008	1	(or equivalent)	
Encoder connector	JL10-6A20-29S	1	Japan Aviation Electronics Ind.	For Encoder cable
Cable clamp	JL04-2022-CK(14)-R	1		(One-touch lock type)
Motor connector	JL10-6A24-11SE-EB	1	Japan Aviation Electronics Ind.	For Motor cable
Cable clamp	JL04-2428-CK(17)-R	1		(One-touch lock type)

<Remarks>

• For crimp tool etc., necessary to produce a cable, access the web site of the manufacturer or consult with the manufacturer for details. For inquiries of manufacturer, refer to P.200 "List of Peripheral Equipments".



### Connector Kit for Motor/Encoder Connection

\* When IP65 or IP67 are necessary, the customer must give appropriate processing.

<b>Part No.</b>	<b>DV0PM20036</b>	<b>100 mm sq. or more Applicable model</b>	(IP67 motor) Encoder JN2 <Small size connector> MSMF 1.0 kW * to 2.0 kW, MDMF 1.0 kW to 2.0 kW MHMF 1.0 kW *, 1.5 kW, MGMF 0.85 kW to 1.8 kW	Without brake
-----------------	-------------------	--	--	------------------

• Components

Title	Part No.	Number	Manufacturer	Note
Connector (Driver side)	3E206-0100 KV	1	Sumitomo 3M	For Connector X6 (6-pins)
Shell kit	3E306-3200-008	1	(or equivalent)	
Encoder connector	JN2DS10SL1-R	1	Japan Aviation Electronics Ind.	For Encoder cable
Connector pin	JN1-22-22S-PKG100	5		(One-touch lock type)
Motor connector	JL04V-6A20-4SE-EB-R	1	Japan Aviation Electronics Ind.	For Motor cable
Cable clamp	JL04-2022CK(14)-R	1		(Screwed type)

\* MSMF102L1□□, MHMF102L1□□

<b>Part No.</b>	<b>DV0PM20038</b>	<b>100 mm sq. or more Applicable model</b>	(IP67 motor) Encoder JN2 <Small size connector> MSMF 1.0 kW * to 2.0 kW, MDMF 1.0 kW to 2.0 kW MHMF 1.0 kW *, 1.5 kW, MGMF 0.85 kW to 1.8 kW	With brake
-----------------	-------------------	--	--	---------------

• Components

Title	Part No.	Number	Manufacturer	Note
Connector (Driver side)	3E206-0100 KV	1	Sumitomo 3M	For Connector X6 (6-pins)
Shell kit	3E306-3200-008	1	(or equivalent)	
Encoder connector	JN2DS10SL1-R	1	Japan Aviation Electronics Ind.	For Encoder cable
Connector pin	JN1-22-22S-PKG100	5		(One-touch lock type)
Motor connector	JL04V-6A20-18SE-EB-R	1	Japan Aviation Electronics Ind.	For Motor cable
Cable clamp	JL04-2022CK(14)-R	1		(Screwed type)

\* MSMF102L1□□, MHMF102L1□□

<b>Part No.</b>	<b>DV0P4310</b>	<b>100 mm sq. or more Applicable model</b>	(IP67 motor) Encoder JL10 <Large size connector> MSMF 1.0 kW * to 2.0 kW, MDMF 1.0 kW to 2.0 kW MHMF 1.0 kW *, 1.5 kW, MGMF 0.85 kW to 1.8 kW	Without brake
-----------------	-----------------	--	---	------------------

• Components

Title	Part No.	Number	Manufacturer	Note
Connector (Driver side)	3E206-0100 KV	1	Sumitomo 3M	For Connector X6 (6-pins)
Shell kit	3E306-3200-008	1	(or equivalent)	
Encoder connector	N/MS3106B20-29S	1	Japan Aviation Electronics Ind.	For Encoder cable
Cable clamp	N/MS3057-12A	1		(Screwed type)
Motor connector	N/MS3106B20-4S	1	Japan Aviation Electronics Ind.	For Motor cable
Cable clamp	N/MS3057-12A	1		(Screwed type)

\* MSMF102L1□□, MHMF102L1□□

<b>Part No.</b>	<b>DV0P4330</b>	<b>100 mm sq. or more Applicable model</b>	(IP67 motor) Encoder JL10 <Large size connector> MSMF 1.0 kW * to 2.0 kW, MDMF 1.0 kW to 2.0 kW MHMF 1.0 kW *, 1.5 kW, MGMF 0.85 kW to 1.8 kW	With brake
-----------------	-----------------	--	---	---------------

• Components

Title	Part No.	Number	Manufacturer	Note
Connector (Driver side)	3E206-0100 KV	1	Sumitomo 3M	For Connector X6 (6-pins)
Shell kit	3E306-3200-008	1	(or equivalent)	
Encoder connector	N/MS3106B20-29S	1	Japan Aviation Electronics Ind.	For Encoder cable
Cable clamp	N/MS3057-12A	1		(Screwed type)
Motor connector	N/MS3106B20-18S	1	Japan Aviation Electronics Ind.	For Motor cable
Cable clamp	N/MS3057-12A	1		(Screwed type)

\* MSMF102L1□□, MHMF102L1□□

<Remarks>

• For crimp tool etc., necessary to produce a cable, access the web site of the manufacturer or consult with the manufacturer for details. For inquiries of manufacturer, refer to P.200 "List of Peripheral Equipments".

<b>Part No.</b>	<b>DV0PM20037</b>	<b>100 mm sq. or more Applicable model</b>	(IP67 motor) Encoder JN2 <Small size connector> MSMF 3.0 kW to 5.0 kW, MDMF 3.0 kW to 5.0 kW MHMF 2.0 kW to 5.0 kW, MGMF 2.9 kW, 4.4 kW	Without brake
-----------------	-------------------	--	---	------------------

• Components

Title	Part No.	Number	Manufacturer	Note
Connector (Driver side)	3E206-0100 KV	1	Sumitomo 3M	For Connector X6 (6-pins)
Shell kit	3E306-3200-008	1	(or equivalent)	
Encoder connector	JN2DS10SL1-R	1	Japan Aviation Electronics Ind.	For Encoder cable
Connector pin	JN1-22-22S-PKG100	5		(One-touch lock type)
Motor connector	JL04V-6A22-22SE-EB-R	1	Japan Aviation Electronics Ind.	For Motor cable
Cable clamp	JL04-2022CK(14)-R	1		(Screwed type)

<b>Part No.</b>	<b>DV0PM20039</b>	<b>100 mm sq. or more Applicable model</b>	(IP67 motor) Encoder JN2 <Small size connector> MSMF 3.0 kW to 5.0 kW, MDMF 3.0 kW to 5.0 kW MHMF 2.0 kW to 5.0 kW, MGMF 2.9 kW, 4.4 kW	With brake
-----------------	-------------------	--	---	---------------

• Components

Title	Part No.	Number	Manufacturer	Note
Connector (Driver side)	3E206-0100 KV	1	Sumitomo 3M	For Connector X6 (6-pins)
Shell kit	3E306-3200-008	1	(or equivalent)	
Encoder connector	JN2DS10SL1-R	1	Japan Aviation Electronics Ind.	For Encoder cable
Connector pin	JN1-22-22S-PKG100	5		(One-touch lock type)
Motor connector	JL04V-6A24-11SE-EB-R	1	Japan Aviation Electronics Ind.	For Motor cable
Cable clamp	JL04-2428CK(17)-R	1		(Screwed type)

<b>Part No.</b>	<b>DV0P4320</b>	<b>100 mm sq. or more Applicable model</b>	(IP67 motor) Encoder JL10 <Large size connector> MSMF 3.0 kW to 5.0 kW, MDMF 3.0 kW to 5.0 kW MHMF 2.0 kW to 5.0 kW, MGMF 2.9 kW, 4.4 kW	Without brake
-----------------	-----------------	--	--	------------------

• Components

Title	Part No.	Number	Manufacturer	Note
Connector (Driver side)	3E206-0100 KV	1	Sumitomo 3M	For Connector X6 (6-pins)
Shell kit	3E306-3200-008	1	(or equivalent)	
Encoder connector	N/MS3106B20-29S	1	Japan Aviation Electronics Ind.	For Encoder cable
Cable clamp	N/MS3057-12A	1		(Screwed type)
Motor connector	N/MS3106B22-22S	1	Japan Aviation Electronics Ind.	For Motor cable
Cable clamp	N/MS3057-12A	1		(Screwed type)

<b>Part No.</b>	<b>DV0P4340</b>	<b>100 mm sq. or more Applicable model</b>	(IP67 motor) Encoder JL10 <Large size connector> MSMF 3.0 kW to 5.0 kW, MDMF 3.0 kW to 5.0 kW MHMF 2.0 kW to 5.0 kW, MGMF 2.9 kW, 4.4 kW	With brake
-----------------	-----------------	--	--	---------------

• Components

Title	Part No.	Number	Manufacturer	Note
Connector (Driver side)	3E206-0100 KV	1	Sumitomo 3M	For Connector X6 (6-pins)
Shell kit	3E306-3200-008	1	(or equivalent)	
Encoder connector	N/MS3106B20-29S	1	Japan Aviation Electronics Ind.	For Encoder cable
Cable clamp	N/MS3057-12A	1		(Screwed type)
Motor connector	N/MS3106B24-11S	1	Japan Aviation Electronics Ind.	For Motor cable
Cable clamp	N/MS3057-16A	1		(Screwed type)

<Remarks>

• For crimp tool etc., necessary to produce a cable, access the web site of the manufacturer or consult with the manufacturer for details. For inquiries of manufacturer, refer to P.200 "List of Peripheral Equipments".

### Connector Kit for Motor/Brake Connection

\* When IP65 or IP67 are necessary, the customer must give appropriate processing.

#### Connector Kit for Motor/Brake Connection

Part No.	DV0PM20040	80 mm sq. or less Applicable model	MSMF 50 W to 1000 W * (Connector type IP67)
----------	------------	---------------------------------------	---

\* MSMF092L1□1

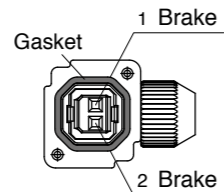
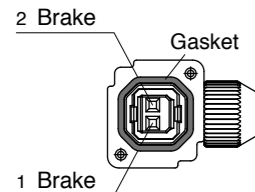
• Components

Title	Part No.	Number	Manufacturer	Note
Connector	JN4FT02SJM-R	1	Japan Aviation Electronics Ind.	For brake cable
Socket contact	ST-TMH-S-C1B-3500	2		

• Pin disposition of connector for brake cable

[Direction of motor shaft]

[Opposite direction of motor shaft]



<Remarks>

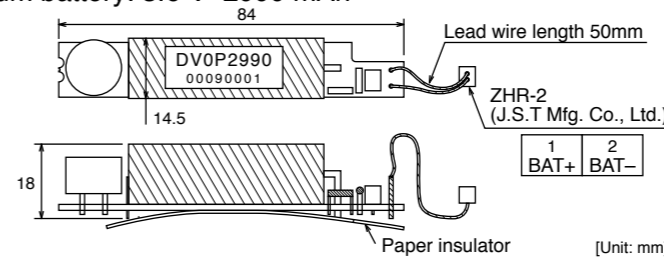
Secure the gasket in place without removing it from the connector. Otherwise, the degree of protection of IP67 will not be guaranteed.

### Battery for Absolute Encoder

#### Battery for Absolute Encoder

Part No.	DV0P2990
----------	----------

• Lithium battery: 3.6 V 2000 mAh



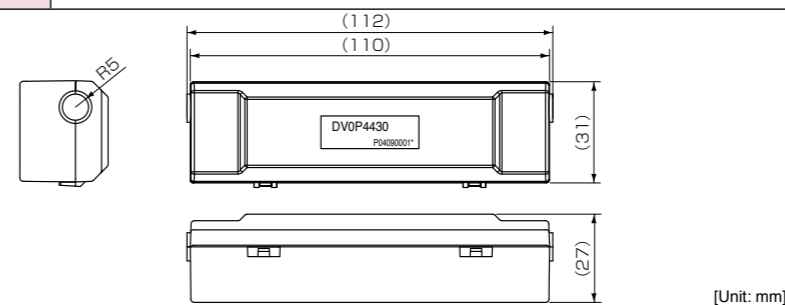
<Caution>

This battery is categorized as hazardous substance, and you may be required to present an application of hazardous substance when you transport by air (both passenger and cargo airlines).

#### Battery Box for Absolute Encoder \*

\* Battery is not included. Please buy the absolute encoder battery "DV0P2990" separately.

Part No.	DV0P4430
----------	----------



#### When making a cable for 23-bit absolute encoder by yourself

When you make your own cable for 23-bit absolute encoder, connect the optional battery for absolute encoder, DV0P2990 as per the wiring diagram below. Connector of the battery for absolute encoder shall be provided by customer as well.

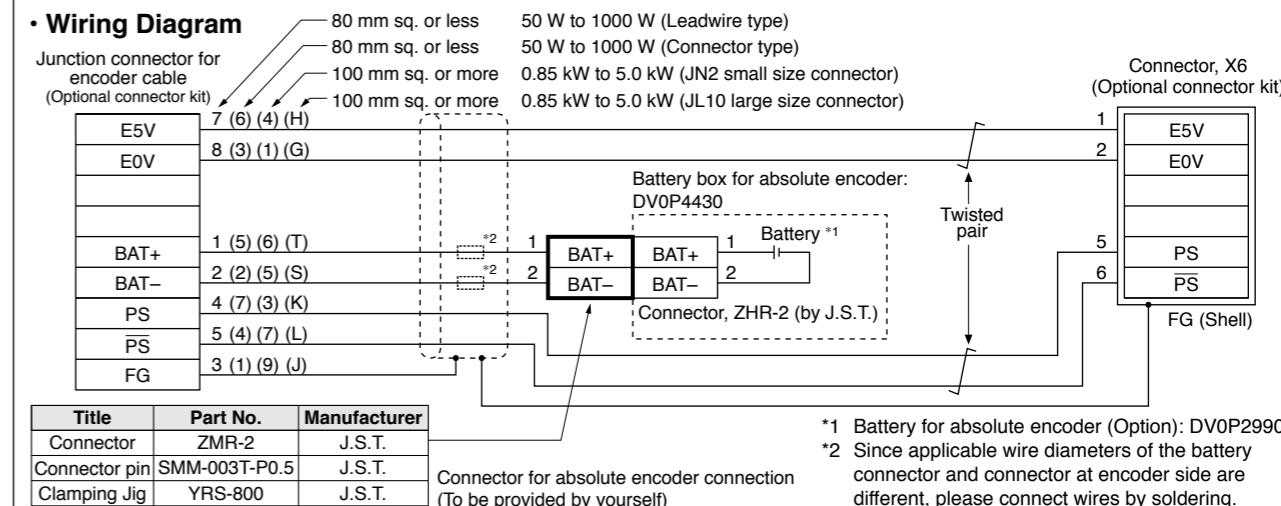
<Caution>

Install and fix the battery securely. If the installation and fixing of the battery is not appropriate, it may cause the wire breakdown or damage of the battery.

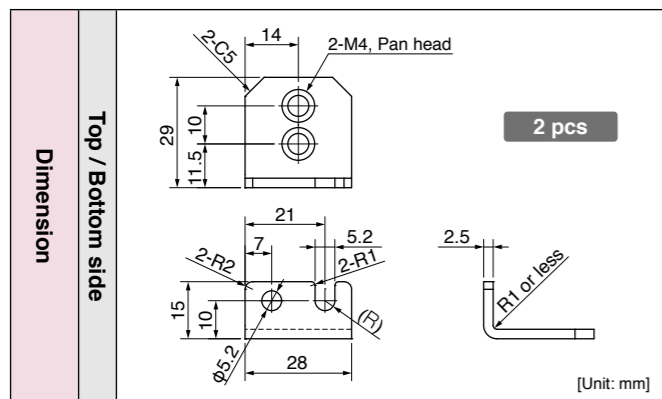
Refer to the instruction manual of the battery for handling the battery.

• Installation Place of Battery

- 1) Indoors, where the products are not subjected to rain or direct sun beam.
- 2) Where the products are not subjected to corrosive atmospheres such as hydrogen sulfide, sulfurous acid, chlorine, ammonia, chloric gas, sulfuric gas, acid, alkaline and salt and so on, and are free from splash of inflammable gas, grinding oil, oil mist, iron powder or chips and etc.
- 3) Well-ventilated and humid and dust-free place.
- 4) Vibration-free place



Part No.	DV0PM20100	Frame symbol of applicable driver	A-frame B-frame	Mounting screw	M4 × L6 Pan head 4pcs
----------	------------	-----------------------------------	--------------------	----------------	-----------------------



Part No.	DV0PM20101	Frame symbol of applicable driver	C-frame D-frame	Mounting screw	M4 × L6 Pan head 4pcs
----------	------------	-----------------------------------	--------------------	----------------	-----------------------

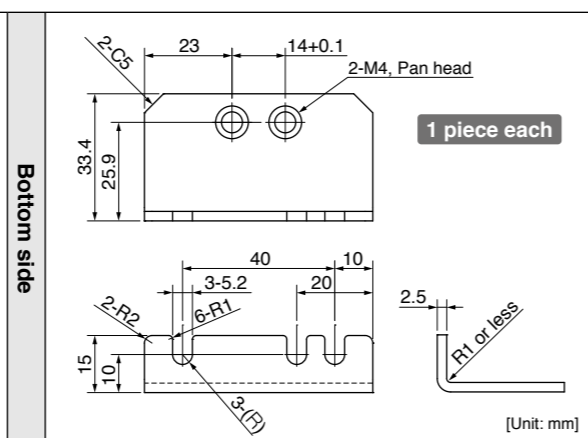
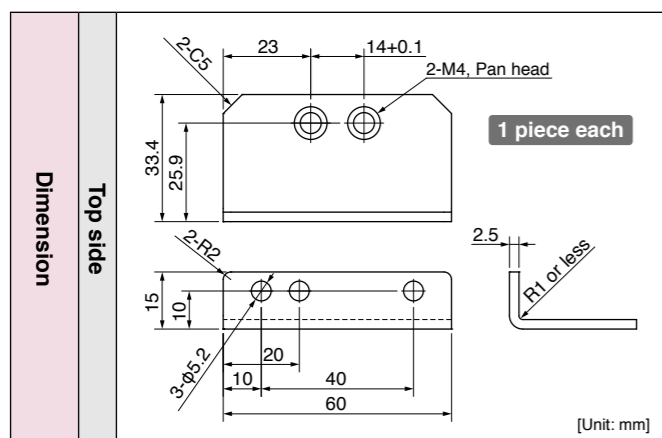
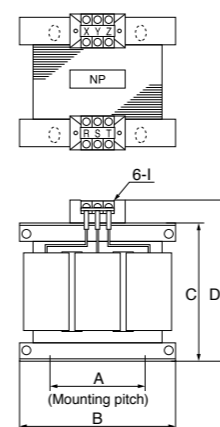


Fig.1



• Wiring of the reactor <3-Phase>

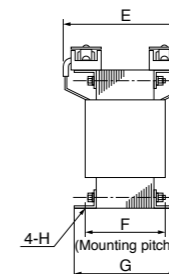
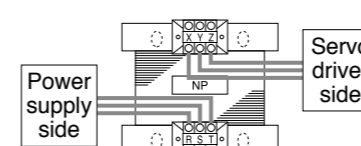
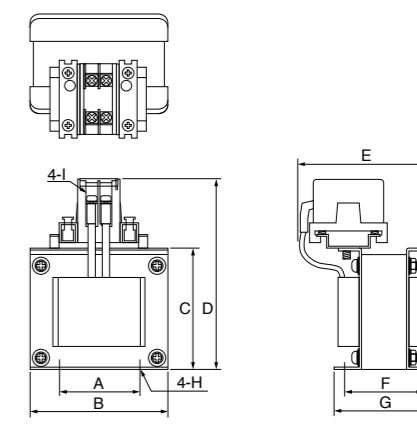
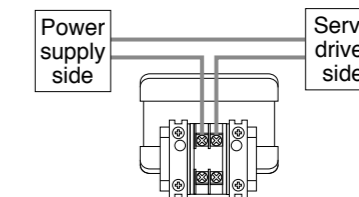


Fig.2



• Wiring of the reactor <Single phase>



F: Center-to-center distance on outer circular arc

F: Center-to-center distance on slotted hole

		Part No.	A	B	C	D	E <sub>(Max)</sub>	F	G	H	I	Inductance (mH)	Rated current (A)
Fig.1	DV0P220	65±1	125±1	(93)	136 <sub>Max</sub>	155	70+3/-0	85±2	4-7φ×12	M4	6.81	3	
	DV0P221	60±1	150±1	(113)	155 <sub>Max</sub>	130	60+3/-0	75±2	4-7φ×12	M4	4.02	5	
	DV0P222	60±1	150±1	(113)	155 <sub>Max</sub>	140	70+3/-0	85±2	4-7φ×12	M4	2	8	
	DV0P223	60±1	150±1	(113)	155 <sub>Max</sub>	150	79+3/-0	95±2	4-7φ×12	M4	1.39	11	
	DV0P224	60±1	150±1	(113)	160 <sub>Max</sub>	155	84+3/-0	100±2	4-7φ×12	M5	0.848	16	
	DV0P225	60±1	150±1	(113)	160 <sub>Max</sub>	170	100+3/-0	115±2	4-7φ×12	M5	0.557	25	
Fig.2	DV0P227	55±0.7	80±1	66.5±1	110 <sub>Max</sub>	90	41±2	55±2	4-5φ×10	M4	4.02	5	
	DV0P228	55±0.7	80±1	66.5±1	110 <sub>Max</sub>	95	46±2	60±2	4-5φ×10	M4	2	8	
	DV0PM20047	55±0.7	80±1	66.5±1	110 <sub>Max</sub>	105	56±2	70±2	4-5φ×10	M4	1.39	11	

\* For application, refer to P.23 to P.32 and P.117 to P.120 "Table of Part Numbers and Options".

**Harmonic restraint**

Harmonic restraint measures are not common to all countries. Therefore, prepare the measures that meet the requirements of the destination country.

When installing a product for Japan, refer to the instruction manual available on our website.

[Panasonic Corporation, Motor Business Unit web site]

<http://industrial.panasonic.com/ww/products/motors-compressors/fa-motors>

**<Remarks>**

When using a reactor, be sure to install one reactor to one servo driver.

Part No.	Manufacturer's part No.	Specifications					Activation temperature of built-in thermal protector
		Resistance	cable core outside diameter	Weight	Rated power (reference) <sup>*1</sup>		
					Free air	with fan 1 m/s <sup>*2</sup>	
Ω	mm	kg	W	W			
DV0P4280	RF70M	50	φ1.27 (AWG18 stranded wire)	0.1	10	25	140±5 °C B-contact Open/Close capacity (resistance load) 1 A 125 VAC 6000 times 0.5 A 250 VAC 10000 times
DV0P4281	RF70M	100		0.1	10	25	
DV0P4282	RF180B	25		0.4	17	50	
DV0P4283	RF180B	50		0.2	17	50	
DV0P4284	RF240	30		0.5	40	100	
DV0P4285	RH450F	20		1.2	52	130	

Manufacturer : Iwaki Musen Kenkyusho

\*1 Power with which the driver can be used without activating the built-in thermal protector.

A built-in thermal fuse and a thermal protector are provided for safety.

The circuit should be so designed that the power supply will be turned off as the thermal protector operates.

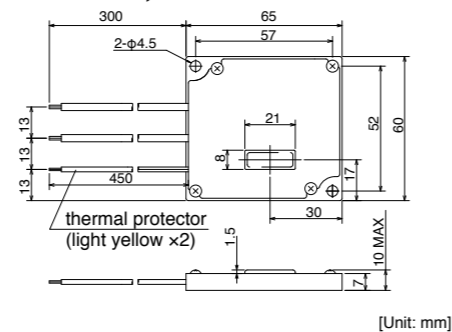
The built-in thermal fuse blows depending on changes in heat dissipation condition, operating temperature limit, power supply voltage or load.

Mount the regenerative resistor on a machine operating under aggressive regenerating condition (high power supply voltage, large load inertia, shorter deceleration time, etc.) and make sure that the surface temperature will not exceed 100 °C.

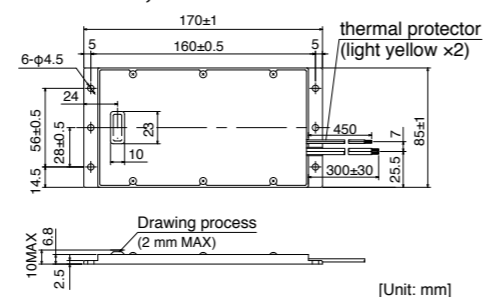
\*2 If the wind speed is 1m / s by the fan.

Frame	Power supply	
	Single phase, 100 V	Single phase, 200 V 3-phase, 200 V
A	DV0P4280	DV0P4281 (100 W or less) DV0P4283 (200 W)
B	DV0P4283	DV0P4283
C	DV0P4282	
D	-	DV0P4284
E		DV0P4284 × 2 in parallel or DV0P4285
F		DV0P4285 × 2 in parallel
G		DV0P4285 × 3 in parallel
H		DV0P4285 × 6 in parallel

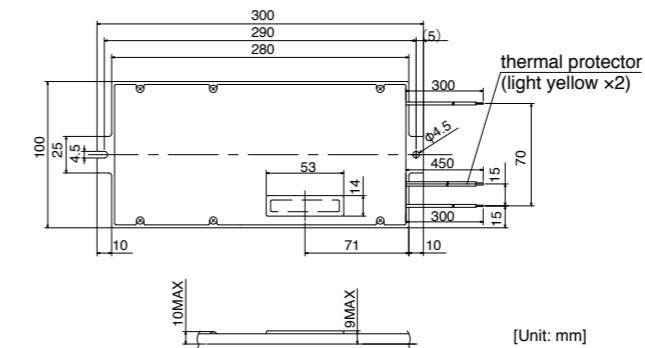
DV0P4280, DV0P4281



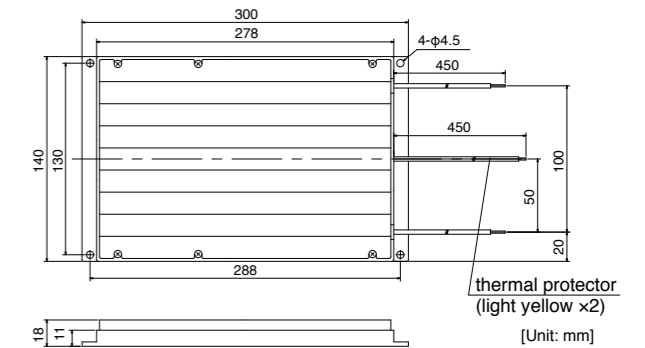
DV0P4282, DV0P4283



DV0P4284



DV0P4285



<Caution when using external regenerative resistor>

Regenerative resistor gets very hot.

Configure a circuit so that a power supply shuts down when built-in thermal protector of the regenerative resistor works. Because it is automatic reset thermal protector, please apply a self-holding circuit to the outside in order to maintain safety in case of sudden activation. During the failure of the driver, the surface temperature of the regenerative resistor may exceed the operating temperature before thermal protector starts to work.

Built-in thermal fuse of regenerative resistor is intended to prevent from ignition during the failure of the driver and not intended to suppress the surface temperature of the resistor.

- Be attached the regenerative resistance to non-combustible material such as metal.
- Built-in thermal fuse of regenerative resistor is intended to prevent from ignition during the failure of the driver and not intended to suppress the surface temperature of the resistor.
- Do not install the regenerative resistor near flammable materials.

## ■ Recommended components

	Motor	Part No.	Manufacturer		
MSMF	50 W to 1000 W	TND15G271K	NIPPON CHEMI-CON CORPORATION		
	1.0 kW to 3.0 kW	Z15D151	SEMITEC Corporation		
	4.0 kW, 5.0 kW	TNR9G820K	NIPPON CHEMI-CON CORPORATION		
MQMF	100W to 400 W	TND15G271K	NIPPON CHEMI-CON CORPORATION		
MHMF	50 W to 1000 W			TNR9G820K	NIPPON CHEMI-CON CORPORATION
	1.0 kW, 1.5 kW	Z15D151	SEMITEC Corporation		
	2.0 kW to 4.0 kW			NVD07SCD082	KOA Corporation
	5.0 kW	TNR9G820K	NIPPON CHEMI-CON CORPORATION		
MDMF	1.0 kW to 3.0 kW			Z15D151	SEMITEC Corporation
	4.0 kW				
	5.0 kW	NIPPON CHEMI-CON CORPORATION			
MGMF	0.85 kW to 1.8 kW		Z15D151	SEMITEC Corporation	
	2.9 kW				NVD07SCD082
	4.4 kW				

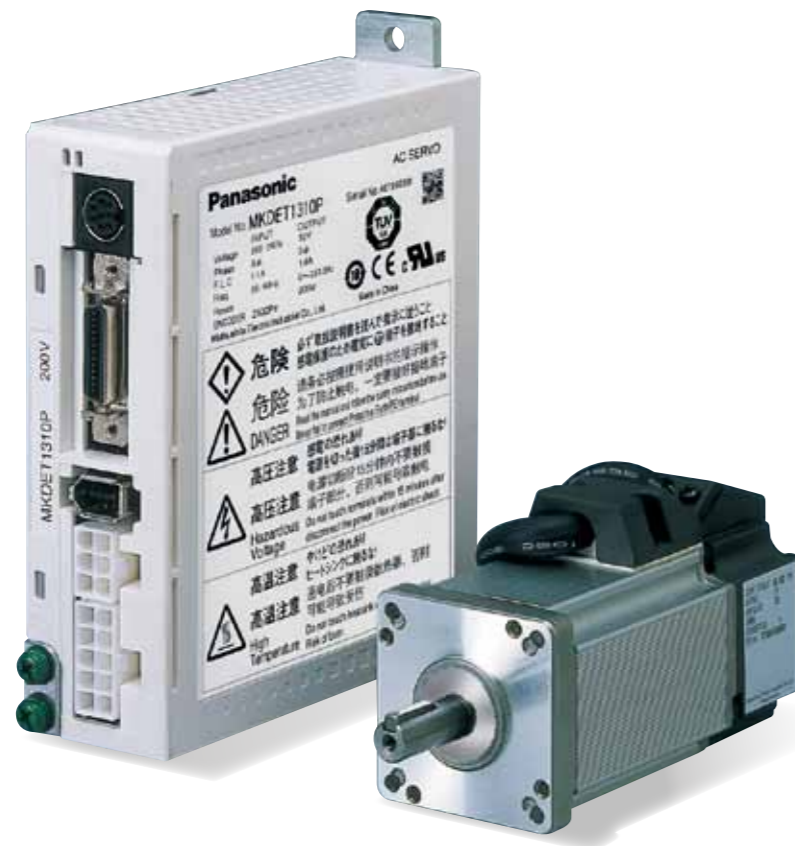
Manufacturer	Tel No. / Home Page	Peripheral components
Panasonic Corporation Eco Solutions Company	<a href="http://panasonic.net/es/">http://panasonic.net/es/</a>	Circuit breaker
Panasonic Corporation Automotive & Industrial Systems Company	<a href="http://panasonic.net/id/">http://panasonic.net/id/</a>	Surge absorber Switch, Relay
Iwaki Musen Kenkyusho Co., Ltd.	+81-44-833-4311 <a href="http://www.iwakimusen.co.jp/">http://www.iwakimusen.co.jp/</a>	Regenerative resistor
KOA Corporation	+81-42-336-5300 <a href="http://www.koanet.co.jp/en/index.htm">http://www.koanet.co.jp/en/index.htm</a>	Surge absorber for holding brake
NIPPON CHEMI-CON CORPORATION	+81-3-5436-7711 <a href="http://www.chemi-con.co.jp/e/index.html">http://www.chemi-con.co.jp/e/index.html</a>	
SEMITEC Corporation	+81-3-3621-2703 <a href="http://www.semitec.co.jp/english2/">http://www.semitec.co.jp/english2/</a>	
KK-CORP.CO.JP	+81-184-53-2307 <a href="http://www.kk-corp.co.jp/">http://www.kk-corp.co.jp/</a>	Ferite core for signal lines
MICROMETALS (Nisshin Electric Co., Ltd.)	+81-4-2934-4151 <a href="http://www.nisshin-electric.com/">http://www.nisshin-electric.com/</a>	
TDK Corporation	+81-3-5201-7229 <a href="http://www.global.tdk.com/">http://www.global.tdk.com/</a>	
Okaya Electric Industries Co. Ltd.	+81-3-4544-7040 <a href="http://www.okayaelec.co.jp/english/index.html">http://www.okayaelec.co.jp/english/index.html</a>	Surge absorber Noise filter
Japan Aviation Electronics Industry, Ltd.	+81-3-3780-2717 <a href="http://www.jae.co.jp/e-top/index.html">http://www.jae.co.jp/e-top/index.html</a>	Connector
Japan Molex Inc.	+81-462-65-2313 <a href="http://www.molex.co.jp">http://www.molex.co.jp</a>	
J.S.T. Mfg. Co., Ltd.	+81-45-543-1271 <a href="http://www.jst-mfg.com/index_e.php">http://www.jst-mfg.com/index_e.php</a>	
Sumitomo 3M	+81-3-5716-7290 <a href="http://solutions.3m.com/wps/portal/3M/ja_JP/WW2/Country/">http://solutions.3m.com/wps/portal/3M/ja_JP/WW2/Country/</a>	
Tyco Electronics Japan G.K.	+81-44-844-8052 <a href="http://www.te.com/ja/home.html">http://www.te.com/ja/home.html</a>	
DYDEN CORPORATION	+81-3-5805-5880 <a href="http://www.dyden.co.jp/english/index.htm">http://www.dyden.co.jp/english/index.htm</a>	
DR. JOHANNES HEIDENHAIN GmbH	+81-3-3234-7781 <a href="http://www.heidenhain.de/de_EN/company/contact/">http://www.heidenhain.de/de_EN/company/contact/</a>	External scale
Fagor Automation S.Coop.	+34-943-719-200 <a href="http://www.fagorautomation.com">http://www.fagorautomation.com</a>	
Magnescale Co., Ltd.	+81-463-92-7971 <a href="http://www.mgscale.com/mgs/language/english/">http://www.mgscale.com/mgs/language/english/</a>	
Mitutoyo Corporation	+81-44-813-8234 <a href="http://www.mitutoyo.co.jp/eng/">http://www.mitutoyo.co.jp/eng/</a>	
Nidec Sankyo Corporation	+81-3-5740-3006 <a href="http://www.nidec-sankyo.co.jp/">http://www.nidec-sankyo.co.jp/</a>	
Renishaw plc	+44 1453 524524 <a href="http://www.renishaw.com">www.renishaw.com</a>	
Schaffner EMC, Inc.	+81-3-5712-3650 <a href="http://www.schaffner.jp/">http://www.schaffner.jp/</a>	Noise filter
TDK-Lambda Corporation	+81-3-5201-7140 <a href="http://www.tdk-lambda.com/">http://www.tdk-lambda.com/</a>	

\* The above list is for reference only. We may change the manufacturer without notice.

# Compact Servo Only for Position Control.

Ultra compact  
position control type

## MINAS E Series



### 1 Best Fit to Small Drives

- Further evolution in down-sizing, by 47 % in size. (Note)
- Exclusively designed for position control.

(Note) Compared to MUDS043A1

### 2 Easy to Handle, Easy to Use

- DIN-rail mounting unit (option) improves handling/installation.
- User-friendly Console makes the setup easy.
- High functionality Real-Time Auto-Gain Tuning enables adjustment-free operation.



### 3 High-Speed Positioning with Resonance Suppression Filters

- Built-in notch filter suppresses resonance of the machine.
- Built-in adaptive filter detect resonance frequency and suppress vibration.

### 4 Smoother operation for Low Stiffness Machine

- Damping control function suppresses vibration during acceleration/deceleration

#### Contents

Features.....	201
Motor Line-up.....	205
Model Designation.....	206
Overall Wiring .....	207
Driver and List of Applicable Peripheral Equipments.....	207
Driver .....	209
Driver Specifications .....	209
Standard Wiring Example of Main Circuit .....	210
Encoder Wiring Diagram.....	210
Control Circuit Standard Wiring Example .....	211
Dimensions of Driver.....	212
Motor.....	213
Specifications/Model designation/Torque Characteristics.....	213
Dimensions of Moter .....	217
Motors with Gear Reducer .....	218
Options .....	222
Setup Support Software.....	222
Cable part No. Designation.....	223
Cable Set .....	224
Encoder Cable .....	224
Motor Cable .....	224
Brake Cable .....	224
Connector Kit.....	225
Interface Cable.....	227
Communication Cable.....	227
Console.....	227
DIN Rail Mounting Unit .....	228
External Regenerative Resistor .....	228
Reactor .....	229
Surge Absorber for Motor Brake .....	229
List of Peripheral Components.....	230

# 1. Easy to Handle, Easy to Use

## High-functionality Real-Time Auto-Gain Tuning (Note 1)

- Offers real automatic gain tuning for low and high stiffness machines with a combination of an adaptive filter.
- Supports the vertical axis application where the load torque is different in rotational direction.

## DIN-rail mounting unit (option)

- DIN-rail mounting unit allows parallel mounting with small control devices such as PLC.
- Easy to mount and easy to dismount.

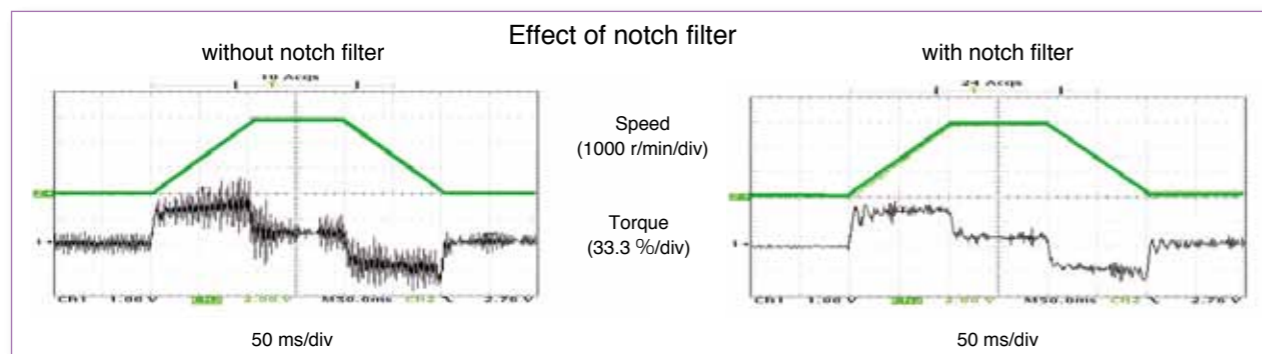
# 2. Further Reduction of Vibration

## Adaptive filter (Note1)

- Makes the notch filter frequency automatically follow the machine resonance frequency in real-time auto-gain tuning.
- Suppression of "Judder" noise of the machine, which is caused by variation of the machines or resonance frequency due to aging, can be expected.

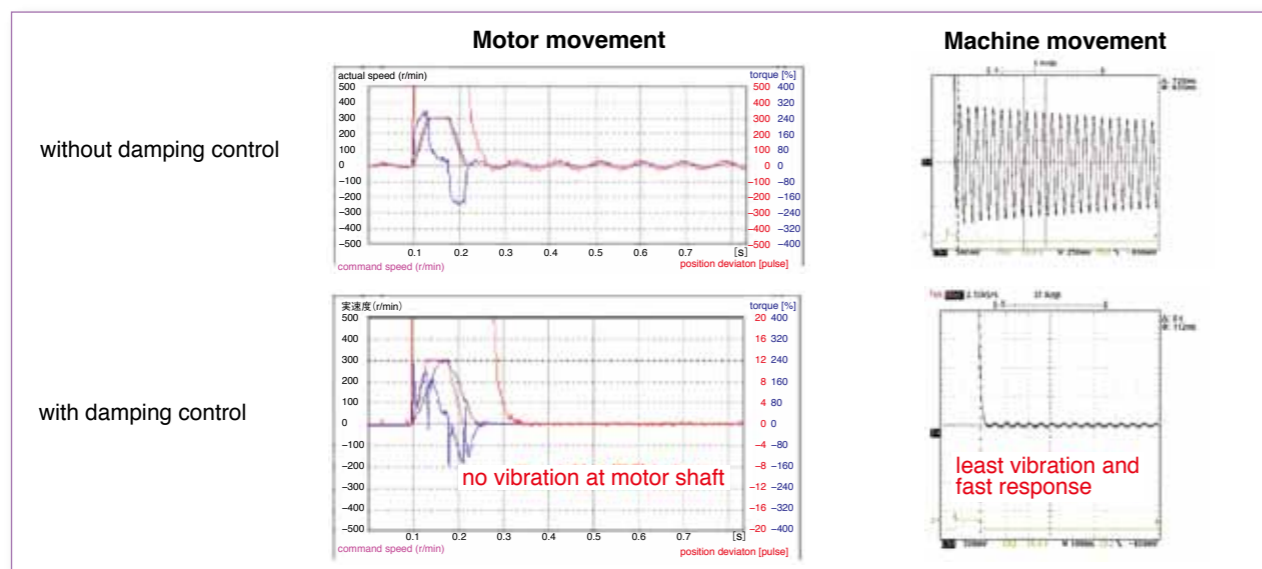
## Notch filter (Note1)

- 1-channel notch filter is equipped in the driver independent from adaptive filter.
- Each of 2 filters can set up frequency and notch width, and frequency in 1Hz unit. Suppression of "Judder" noise of the machine which has multiple resonance points can be expected.



## Damping control (Note1)

- You can suppress vibration occurring at both starting and stopping in low stiffness machine, by manually setting up vibration frequency in 0.1 Hz unit. Note) Only applies to manual adjustment



(Note1) Select at positioning action mode.  
 • At high speed positioning mode (Pr02=0) Select either one of notch filter, damping control or high-functionality real-time auto-gain tuning. Not possible to use them all at the same time. Adaptive filter cannot be used.  
 • At high-functionality positioning mode (Pr02=1) All of notch filter, damping control, high-functionality real-time auto-gain tuning and adaptive filter can be used at the same time.

# 3. Further Flexibility and Multiplicity

## Console (Option)

- You can set up parameters, copy and make a JOG run.
- Convenient for maintenance at site.
- Refer to P.227, Options.

## Command control modes

- Offers 2 command modes, "Position control" and "Internal velocity control".
- You can make a 4-speed running at preset values with parameter at internal velocity control mode.

## Inrush current suppressing function

- Inrush suppressing resistor, which prevent the circuit breaker shutdown of the power supply caused by inrush current at power-on, is equipped in this driver.
- Prevents unintentional shutdown of the power supply circuit breaker in multi axis application and does not give load to the power line.

## Regeneration discharging function

- Discharges the regenerative energy with external resistor, where energy is generated while stopping the load with large moment of inertia, or use in up-down operation, and is returned to the driver from the motor.
- No regenerative resistor is installed in the driver.
- It is highly recommended to install an external regenerative resistor (option).

## Built-in dynamic brake

- You can select the dynamic brake action which short the servo motor windings of U, V and W, at Servo-OFF, CW/CCW over-travel inhibition, power shutdown and trip.
- You can select the action sequence depending on the machine requirement.

## Setup support software (Option)

- With the setup support software, "PANATERM" via RS232 / RS485 communication port, you can monitor the running status of the driver and set up parameters. Note) Refer to P.222 for setup support software.

## Key-way shaft and tapped shaft end

- Easy pulley attachment and easy maintenance
- Attache screw to the tapped shaft to prevent key or pulley from being pulled out.

## Wave-form graphic function

- With the setup support software, "PANATERM", you can monitor the "Command speed", "Actual speed", "Torque", "Position deviation" and "Positioning complete signal".
- Helps you to analyze the machine and shorten the setup time. Note) Refer to P.222 for setup support software.

## Frequency analyzing function

- You can confirm the response frequency characteristics of total machine mechanism including the servo motor with the setup support software, "PANATERM".
- Helps you to analyze the machine and shorten the setup time. Note) Refer to P.222 for setup support software.

## Torque limit switching function

- You can select 2 preset torque limit value from external input.
- Use this function for tension control or press-hold control.

## Conformity to CE and UL Standards



Subject	Standard conformed	
Motor	IEC60034-1 IEC60034-5 UL1004 CSA22.2 No.100	Conforms to Low-Voltage Directives
	EN50178 UL508C CSA22.2 No.14	
Motor and driver	EN55011 Radio Disturbance Characteristics of Industrial, Scientific and Medical (ISM) Radio-Frequency Equipment	Conforms to references by EMC Directives
	EN61000-6-2 Immunity for Industrial Environments	
	EC61000-4-2 Electrostatic Discharge Immunity Test	
	IEC61000-4-3 Radio Frequency Electromagnetic Field Immunity Test	
	IEC61000-4-4 Electric High-Speed Transition Phenomenon/Burst Immunity Test	
	IEC61000-4-5 Lightning Surge Immunity Test	
	IEC61000-4-6 High Frequency Conduction Immunity Test	
IEC61000-4-11 Instantaneous Outage Immunity Test		


IEC : International Electrotechnical Commission  
 EN : Europäischen Normen  
 EMC : Electromagnetic Compatibility  
 UL : Underwriters Laboratories  
 CSA : Canadian Standards Association

Pursuant to at the directive 2004/108/EC, article 9(2)

Panasonic Testing Centre  
 Panasonic Service Europe,  
 a division of Panasonic Marketing Europe GmbH  
 Winsbergring 15,22525 Hamburg,F.R.Germany

\* When exporting this product, follow statutory provisions of the destination country.

Motor Line-up

Motor series	Rated output (kW)	Rated rotational speed (Max. speed) (r/min)	Rotary encoder		Brake		Gear		UL/CSA	Enclosure	Features	Applications
			2500 P/r incremental	17bit absolute/incremental	Holding	High precision						
<b>MUMA</b>  Ultra low inertia	<b>0.05 to 0.4</b>	3000 (5000)	○	—	○	○	○	○	IP65 Except shaft throughhole and connector	Small capacity Ultra low inertia	SMT machines Inserters High repetitive positioning application	
	0.05											
	0.1											
	0.2											
0.4												

Model Designation

■ Servo Motor

**M U M A 5 A Z P 1 S \* \***

Symbol	Type
MUMA	Ultra low inertia (50 W to 400 W)

Motor rated output

Symbol	Rated output
5A	50 W
01	100 W
02	200 W
04	400 W

Voltage specifications

Symbol	Specifications
1	100 V
2	200 V
Z	100 V/200 V common (50 W only)

Special specifications

Motor structure

Symbol	Shaft	Holding brake		Oil seal	
	Key-way, center tap	without	with	without	with*
S	●	●		●	
T	●		●	●	

\* Motor with oil seal is manufactured by order.

Design order

Symbol	Specifications
1	Standard

Rotary encoder specifications

Symbol	Format	Pulse counts	Resolution	Wires
P	Incremental	2500 P/r	10000	5

See P.213 for motor specifications

■ Motor with gear reducer

**M U M A 0 1 1 P 3 1 N**

Symbol	Type
MUMA	Ultra low inertia (100 W to 400 W)

Motor rated output

Symbol	Rated output
01	100 W
02	200 W
04	400 W

Voltage specifications

Symbol	Specifications
1	100 V
2	200 V

Gear reduction ration, gear type

Symbol	Gear reduction ratio	Motor output (W)			Gear type
		100	200	400	
1N	1/5	●	●	●	For high accuracy
2N	1/9	●	●	●	
4N	1/25	●	●	●	

Motor structure

Symbol	Shaft	Holding brake	
	Key-way	without	with
3	●	●	
4	●		●

Rotary encoder specifications

Symbol	Format	Pulse counts	Resolution	Wires
P	Incremental	2500 P/r	10000	5

See P.218 for motor with gear reducer specifications

■ Servo Driver

**M K D E T 1 3 1 0 P \* \***

Frame symbol

Symbol	Frame
MKDE	E series, K-frame
MLDE	E series, L-frame

Power device Max. current rating

Symbol	Current rating
T1	10 A
T2	15 A

Supply voltage specifications

Symbol	Specifications
1	Single phase, 100 V
2	Single phase, 200 V
3	3-phase, 200 V
5	Single/3-phase, 200 V

Special specifications

Control mode

Symbol	Specifications
P	Pulse train

Current detector current rating

Symbol	Current rating
05	5 A
10	10 A

See P.209 for driver specifications



• Wiring of main circuit

**Circuit Breaker (MCCB)**  
Protects the power lines. Shuts off the circuit when overcurrent passes.

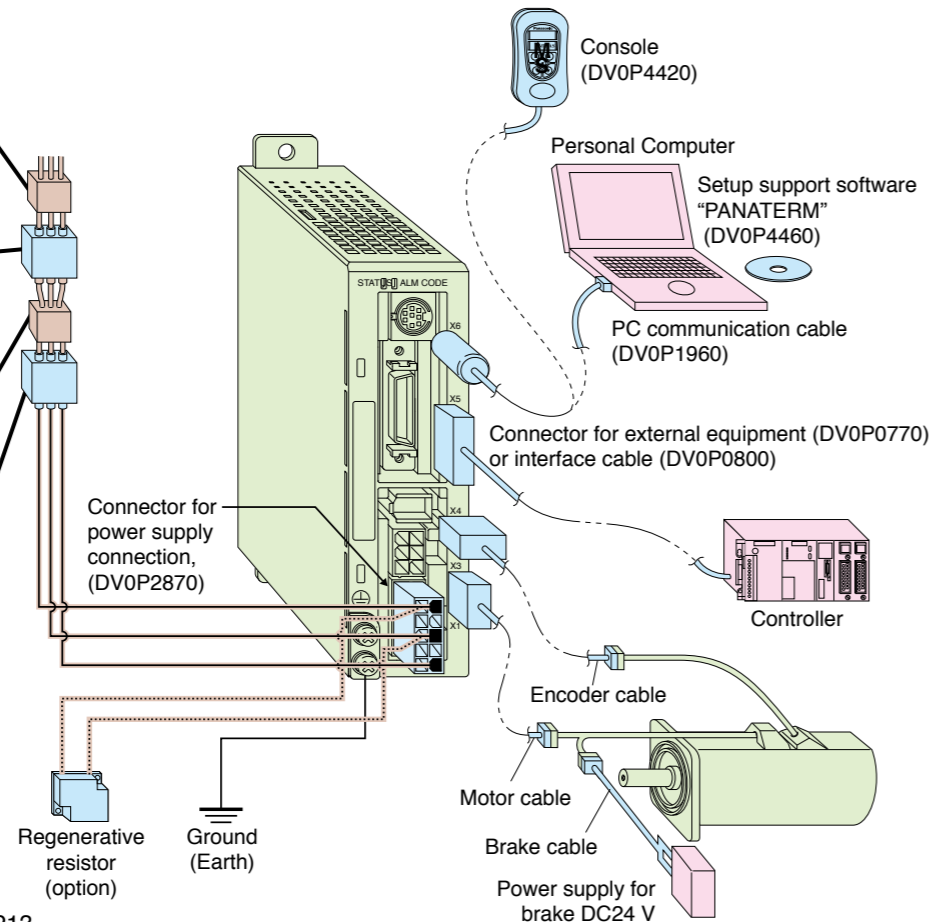
**Noise Filter (NF)**  
Prevents external noise from the power lines. And reduces an effect of the noise generated by the servo driver.

**Magnetic Contactor (MC)**  
Turns on/off the main power of the servo driver. Surge absorber to be used together with this.

**Reactor (L)**  
Reduces harmonic current of the main power.

**Pin-5 and Pin-3 of CN POWER**

• Connect an external regenerative resistor (option) between P(pin-5) and B(pin-3) of connector, CN X1, when regenerative energy is large. (Refer to P.228 for regenerative resistor.)



- Motor to P.213
- Driver to P.209
- Option to P.222
- Recommended equipments
- Parts customer to prepare

List of recommended peripheral equipments

Power supply	Motor		Power capacity (at rated output)	Circuit Breaker (Rated current)	Noise Filter	Magnetic Contactor (Contact Composition)	Wire diameter (L1, L2, L3, U, V and W)
	Series	Output					
Single phase, 100 V	MUMA	50 W	0.3 kVA	(5 A)	DV0P4160	10 A (3P+1a)	0.75 mm <sup>2</sup> to 0.85 mm <sup>2</sup> AWG18
		100 W	0.4 kVA	(10 A)			
		200 W	0.5 kVA	(10 A)			
Single phase, 200 V	MUMA	50 W	0.3 kVA	(5 A)	DV0P4160	15 A (3P+1a)	0.75 mm <sup>2</sup> to 0.85 mm <sup>2</sup> AWG18
		100 W	0.4 kVA	(10 A)			
		200 W	0.5 kVA	(10 A)			
3-phase 200 V	MUMA	50 W	0.3 kVA	(5 A)	DV0P4160	10 A (3P+1a)	0.75 mm <sup>2</sup> to 0.85 mm <sup>2</sup> AWG18
		100 W	0.4 kVA	(10 A)			
		200 W	0.5 kVA	(10 A)			

- \* Select the single and 3-phase common specifications corresponding to the power supplies.
- To conform to EC Directives, install a circuit breaker which conforms to IEC and UL Standards (Listed, marked) between noise filter and power supply.
- For details of the noise filters, refer to P.240.

<Remarks>

- Use a copper conductor cables with temperature rating of 60 °C or higher for main power connector and ground terminal wiring. Use a cable for ground with diameter of 2.0 mm<sup>2</sup> (AWG14) or larger.

Carrying page

Options	Part No.	Carrying page
Console	DV0P4420	227
Setup Support Software, PANATERM	Japanese	DV0P4460
	English	222
RS232 Communication Cable (for Connection with PC)	DV0P1960	227
Interface Cable	DV0P0800	227
Connector Kit for External Equipment	DV0P0770	226
Connector Kit for Motor and Encoder	DV0P3670	225
Connector Kit for Driver Power Supply	DV0P2870	225
Encoder Cable	MFECA0 * * 0EAM	224
Motor Cable	MFMCA0 * * 0AEB	224
Brake Cable	MFMCB0 * * 0GET	224
Cable Set (3 m) (Note 3)	DV0P37300	224
Cable Set (5 m) (Note 3)	DV0P39200	224
DIN Rail Mount Unit	DV0P3811	228
External Regenerative Resistor	100 V 50 Ω 10 W	DV0P2890
	200 V 100 Ω 10 W	DV0P2891
Reactor	100 V	DV0P227
		DV0P228
	200 V	DV0P220
Noise Filter	DV0P4160	240
Surge Absorber	Single phase 100 V, 200 V	DV0P4190
	3-phase 200 V	DV0P1450
Ferite core for Signal lines	DV0P1460	240

- (Note 3) Cable set (3 m) contains,
- 1) Interface cable: DV0P0800
  - 2) Encoder cable (3 m) : MFECA0030EAM
  - 3) Motor cable (3 m) : MFMCA0030AEB
  - 4) Connector kit for driver power supply connection : DV0P2870
- Cable set (5 m) contains,
- 1) Interface cable: DV0P0800
  - 2) Encoder cable (5 m) : MFECA0050EAM
  - 3) Motor cable (5 m) : MFMCA0050AEB
  - 4) Connector kit for driver power supply connection : DV0P2870

Table of Part Numbers and Options

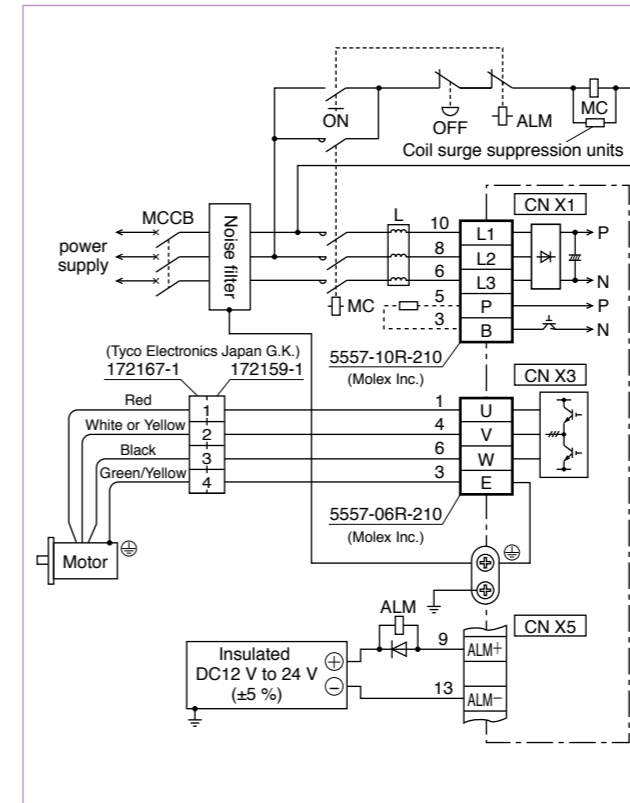
Power supply	Output (W)	2500P/r, Incremental				Option																				
		Motor (Note 1)	Rating/Spec. (page)	Driver	Dimensions (Frame symbol)	Encoder Cable (Note 2)	Motor Cable (Note 2)	Brake Cable (Note 2)	External Regenerative Resistor	Reactor	Noise Filter															
Single phase 100 V	50	MUMA5AZP1 □	213	MKDET1105P	212 (K)	MFECA0 * * 0EAM	MFMCA0 * * 0AEB		DV0P2890	DV0P227	DV0P4160															
	100	MUMA011P1 □	213	MKDET1110P	212 (K)																					
	200	MUMA021P1 □	213	MLDET2110P	212 (L)																					
Single phase 200 V	50	MUMA5AZP1 □	215	MKDET1505P	212 (K)					MFECA0 * * 0EAM		MFMCA0 * * 0AEB		DV0P2891	DV0P220	DV0P4160										
	100	MUMA012P1 □	215	MKDET1505P	212 (K)																					
	200	MUMA022P1 □	215	MLDET2210P	212 (L)																					
3-phase 200 V	400	MUMA042P1 □	215	MLDET2510P	212 (L)										MFECA0 * * 0EAM		MFMCA0 * * 0AEB		DV0P2891	DV0P220	DV0P4160					
	50	MUMA5AZP1 □	215	MKDET1505P	212 (K)																					
	100	MUMA012P1 □	215	MKDET1505P	212 (K)																					
3-phase 200 V	200	MUMA022P1 □	215	MKDET1310P	212 (K)															MFECA0 * * 0EAM		MFMCA0 * * 0AEB		DV0P2891	DV0P220	DV0P4160
	400	MUMA042P1 □	215	MLDET2510P	212 (L)																					
				MLDET2310P	212 (L)																					

- Note) 1 Motor model number suffix: □  
 S : Key way with center tap, without brake  
 T : Key way with center tap, with brake
- Note) 2 \* \* represents cable length. For details, refer to P.223.

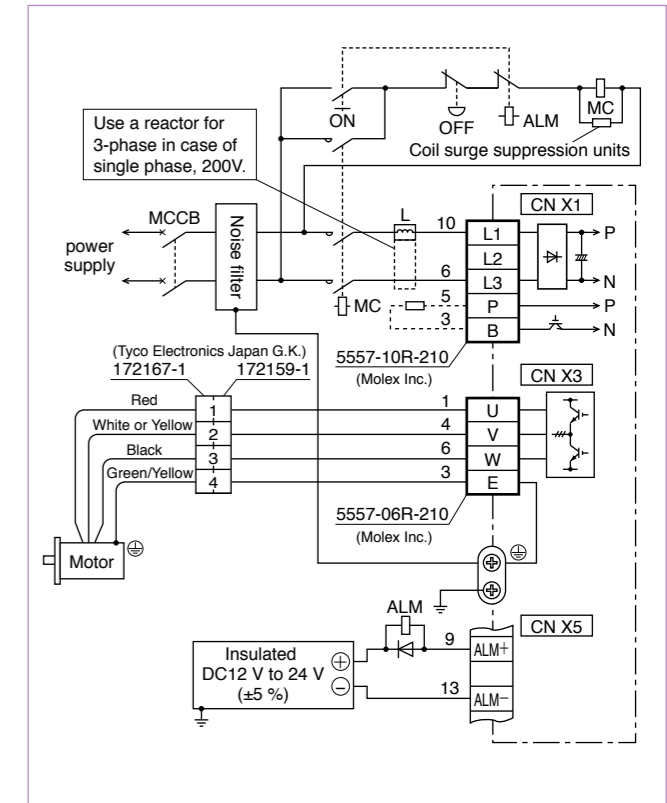
Basic Specifications	Input power	Single phase, 100 V	Single phase, 100 V to 115 V $+10\%$ $-15\%$	50 Hz/60 Hz	
		Single phase, 200 V	Single phase, 200 V to 240 V $+10\%$ $-15\%$	50 Hz/60 Hz	
		3-phase, 200 V	3-phase, 200 V to 240 V $+10\%$ $-15\%$	50 Hz/60 Hz	
	Environment	Temperature	Operating : 0 °C to 55 °C, Storage : -20 °C to 65 °C (Max.temperature guarantee 80 °C for 72 hours <Normal temperature>)		
		Humidity	Both operating and storage : 90 %RH or less (free from condensation)		
		Altitude	1000 m or lower		
		Vibration	5.88 m/s <sup>2</sup> or less, 10 Hz to 60 Hz (No continuous use at resonance frequency)		
	Withstand voltage	Should be 1500 VAC (Sensed current: 20 mA) for 1 minute between Primary and Ground.			
	Control method	IGBT PWM Sinusoidal wave drive			
	Encoder feedback	2500 P/r (10000 resolution) incremental encoder			
Control signal	Input	7 inputs (1) Servo-ON, (2) Alarm clear and other inputs vary depending on the control mode.			
	Output	4 outputs (1) Servo alarm, (2) Alarm, (3) Release signal of external brake and other outputs vary depending on the control mode.			
Pulse signal	Input	2 inputs Supports both line driver I/F and open collector I/F.			
	Output	4 outputs Feed out the encoder pulse (A, B and Z-phase) in line driver. Z-phase pulse is also feed out in open collector.			
Communication function	RS232	1 : 1 communication to a host with RS232 interface is enabled.			
Display LED	(1) Status LED (STATUS), (2) Alarm code LED (ALM-CODE)				
Regeneration	No built-in regenerative resistor (external resistor only)				
Dynamic brake	Built-in				
Control mode	3 modes of (1) High-speed position control, (2) Internal velocity control and (3) High-functionality positioning control are selectable with parameter.				
Position control	Control input	(1) CW over-travel inhibition, (2) CCW over-travel inhibition, (3) Deviation counter clear, (4) Gain switching, (5) Electronic gear switching			
	Control output	(1) Positioning complete (In-position)			
	Pulse input	Max. command pulse frequency	Line driver : 500 kpps, Open collector : 200 kpps		
		Type of input pulse train	Differential input. Selectable with parameter, ((1) CW/CCW, (2) A and B-phase, (3) Command and Direction)		
		Electronic gear (Division/Multiplication of command pulse)	Setup of electronic gear ratio Setup range of $(1-10000) \times 2^{(0-17)} / (1-10000)$		
Smoothing filter	Primary delay filter or FIR type filter is selectable to the command input.				
Internal speed control	Control input	(1) CW over-travel inhibition, (2) CCW over-travel inhibition, (3) Selection 1 of internal command speed, (4) Selection 2 of internal command speed, (5) Speed zero clamp			
	Control output	(1) Speed arrival (at-speed)			
	Internal speed command	Internal 4-speed is selectable with control input.			
	Soft-start/down function	Individual setup of acceleration and deceleration are enabled, with 0 s to 10 s/1000 r/min. Sigmoid acceleration/deceleration is also enabled.			
	Zero-speed clamp	0-clamp of internal speed command with speed zero clamp input is enabled.			
Auto-gain tuning	Real-time	Estimates the load inertia in real-time in actual operation and sets up the gain automatically corresponding to the machine stiffness. Useable at (1) High-response position control, (2) Internal speed control and (3) High-functionality position control.			
	Normal mode	Estimates the load inertia with an action command inside of the driver, and sets up the gain automatically corresponding to setup of the machine stiffness. Useable at (1) High-response position control, (2) Internal speed control and (3) High-functionality position control.			
Common	Masking of unnecessary input	Masking of the following input signal is enabled. (1) Over-travel inhibition, (2) Speed zero clamp, (3) Torque limit switching			
	Division of encoder feedback pulse	1 P/r to 2500 P/r (encoder pulses count is the max.).			
	Protective function	Hardware error	Over-voltage, under-voltage, over-speed over-load, over-heat, over-current and encoder error etc.		
		Software error	Excess position deviation, command pulse division error, EEPROM error etc.		
	Traceability of alarm data	Traceable up to past 14 alarms including the present one.			
Damping control function	Manual setup with parameter				
Setup	Manual	Console			
	Setup support software	PANATERM (Supporting OS : Windows98, Windows ME, Windows2000, and WindowsXP)			

Standard Wiring Example of Main Circuit

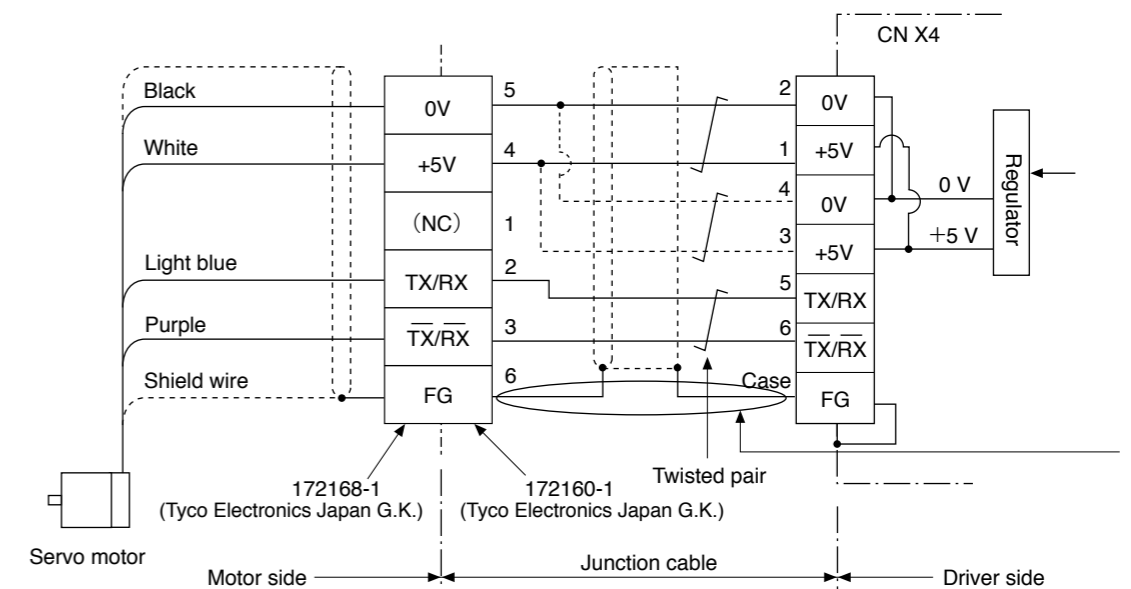
3-Phase, 200 V



Single Phase, 100 V / 200 V



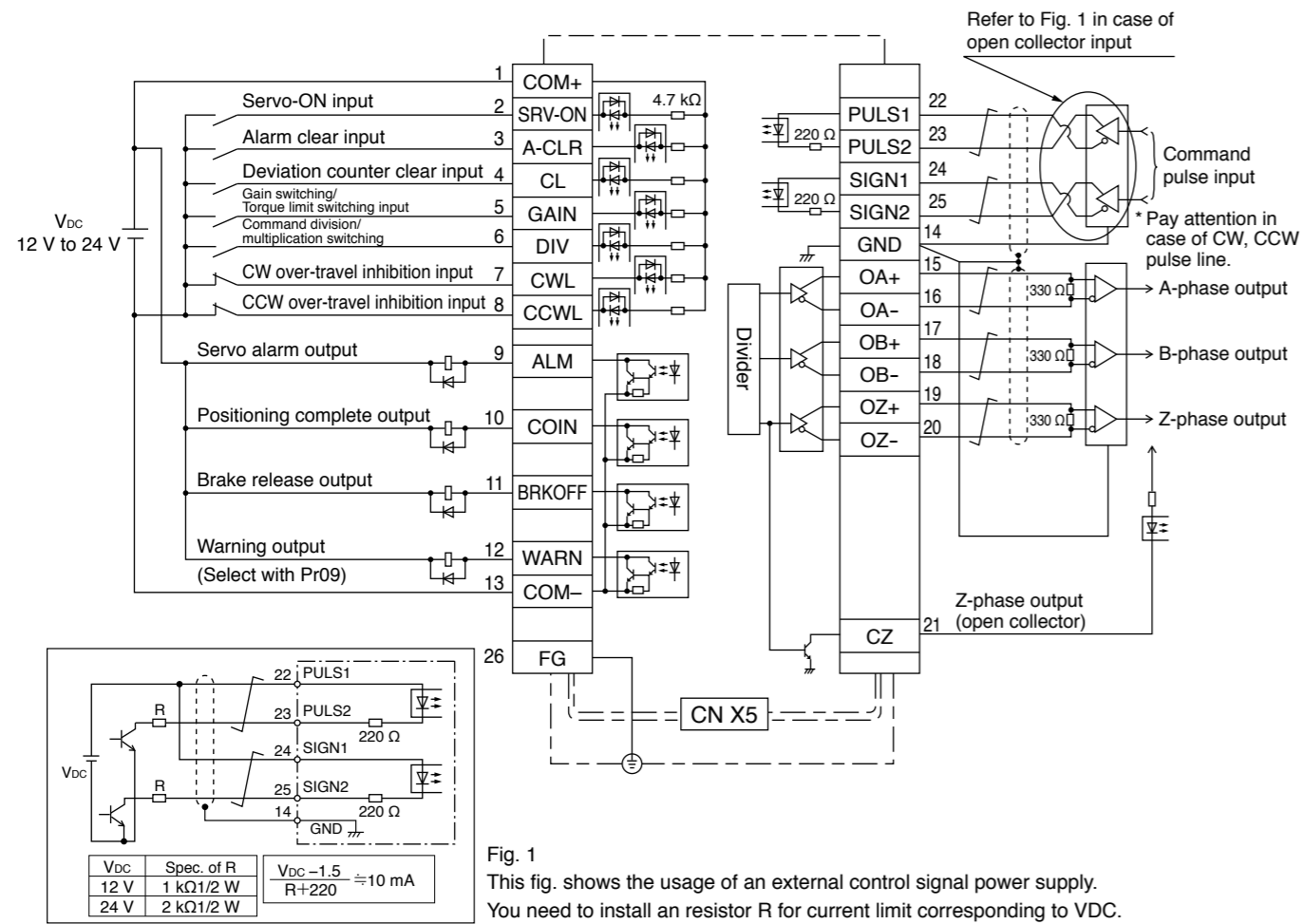
Encoder Wiring Diagram



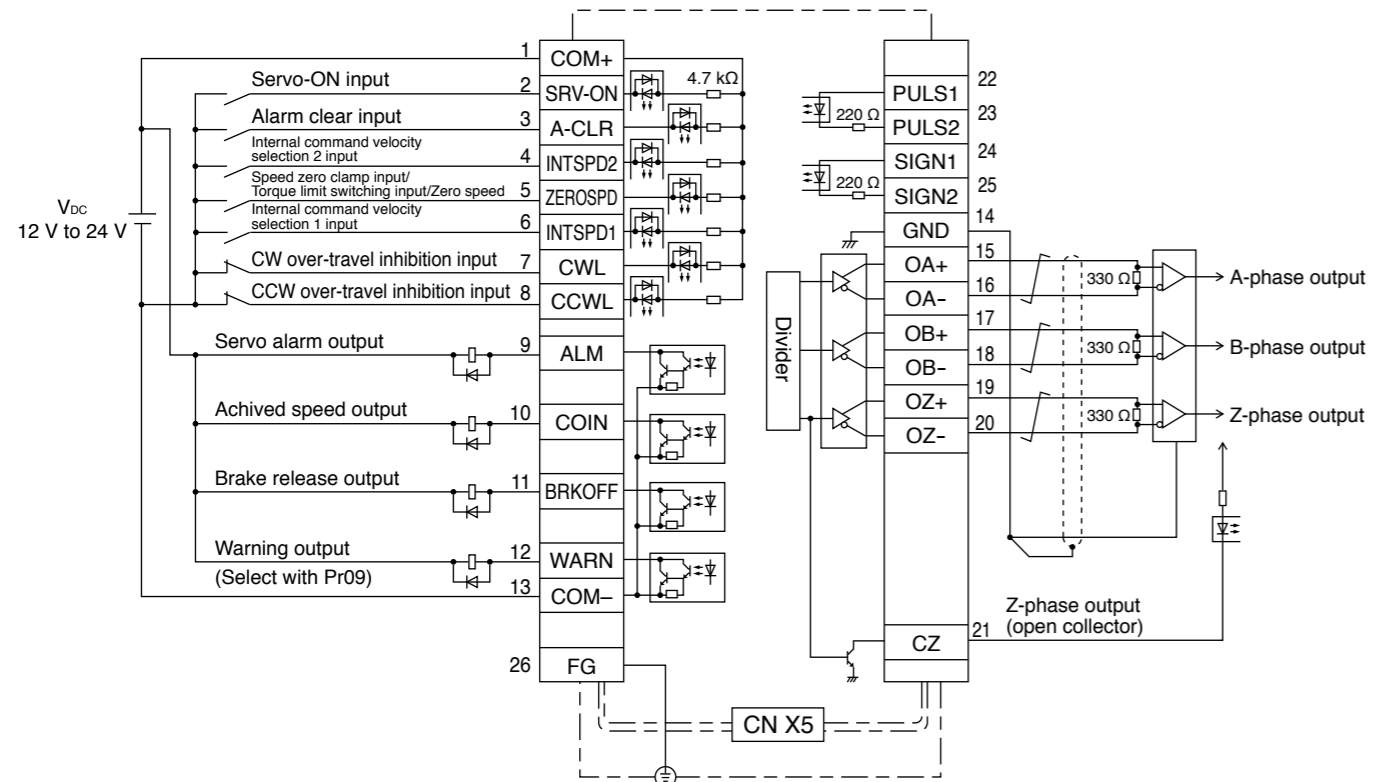
When you make your own junction cable for encoder (Refer to P.225, P.226 "Options" for connector.)

- 1) Refer the wiring diagram.
- 2) Use the twisted pair wire with shield, with core diameter of 0.18 mm<sup>2</sup> (AWG24) or larger, with higher bending resistance.
- 3) Use the twisted pair wire for the corresponding signal and power supply.
- 4) Shielding  
Connect the shield of the driver to the case of CN X4.  
Connect the shield of the motor to Pin-6.

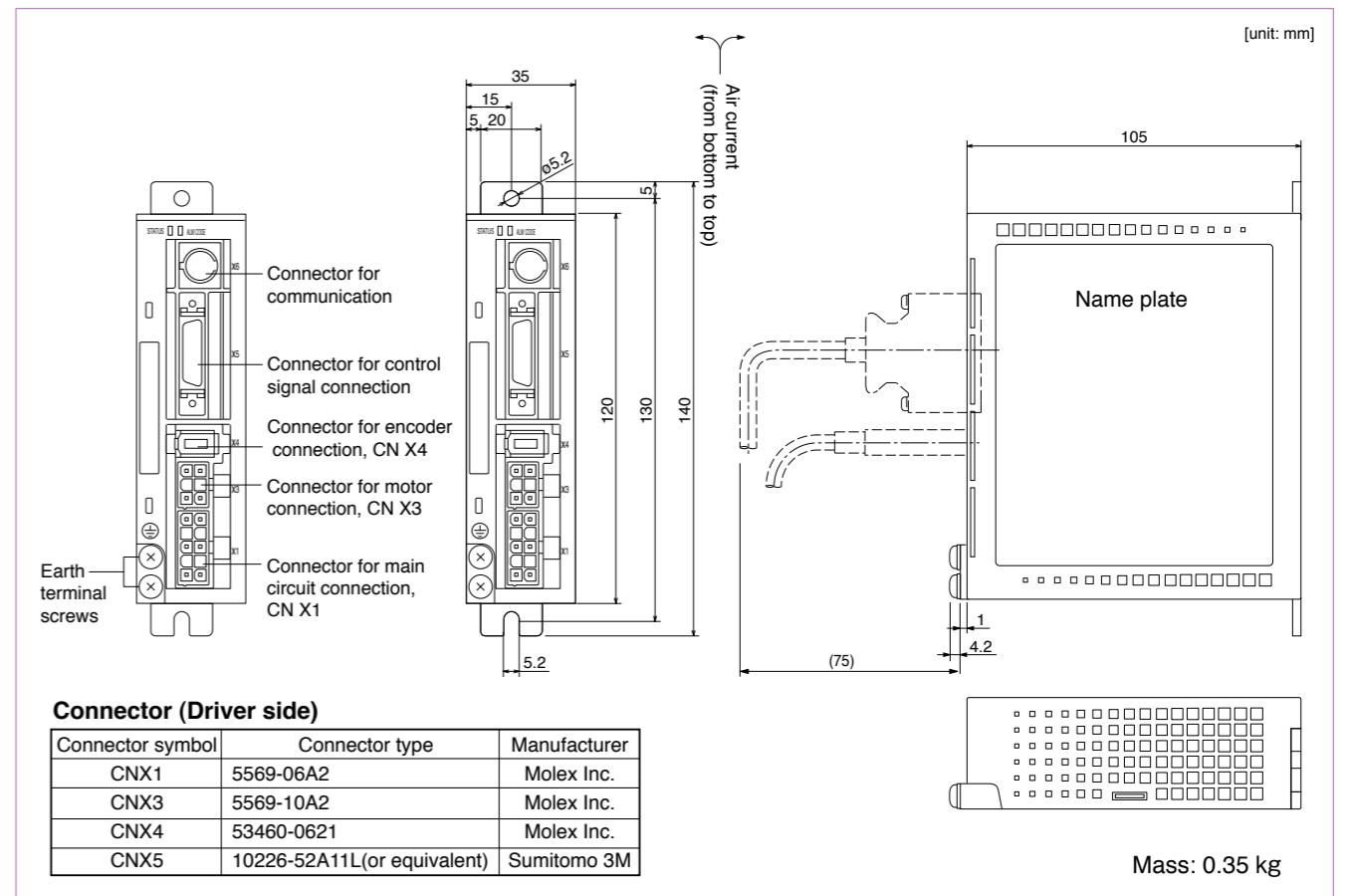
CN X 5 Wiring Example at Position Control Mode



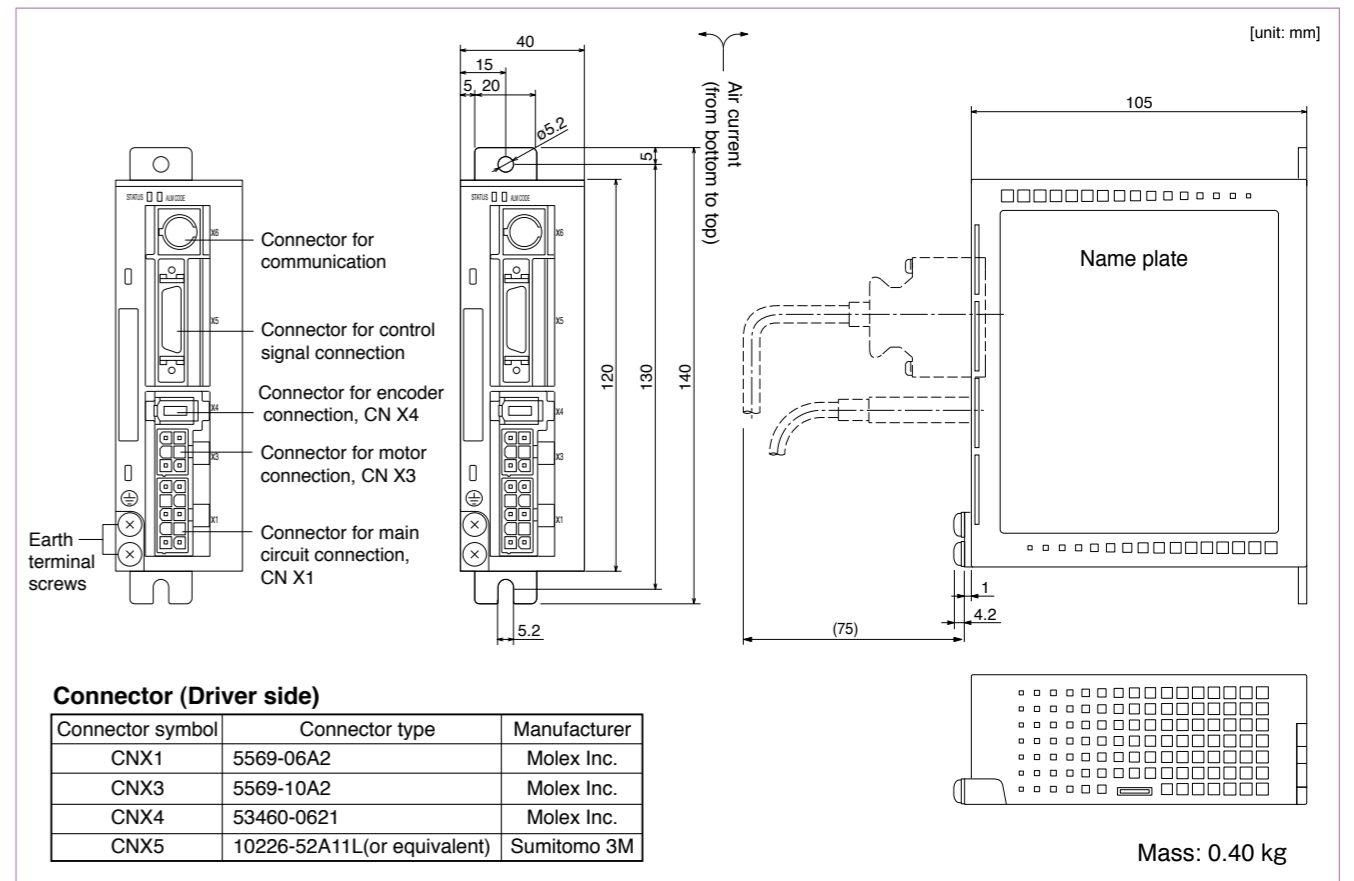
CN X 5 Wiring Example at Internal Velocity Control Mode



Frame K



Frame L



		AC100 V			
Motor model		MUMA	5AZP1□	011P1□	021P1□
Applicable driver	Model No.	MKDET1105P	MKDET1110P	MLDET2110P	
	Frame symbol	Frame K			Frame L
Power supply capacity (kVA)		0.3	0.4	0.5	
Rated output (W)		50	100	200	
Rated torque (N·m)		0.16	0.32	0.64	
Momentary Max. peak torque (N·m)		0.48	0.95	1.91	
Rated current (Arms)		1.0	1.6	2.5	
Max. current (Ao-p)		4.3	6.9	11.7	
Regenerative brake frequency (times/min) Note)1	Without option	No limit Note)2			
	DV0P2890	No limit Note)2			
Rated rotational speed (r/min)		3000			
Max. rotational speed (r/min)		5000			
Moment of inertia of rotor ( $\times 10^{-4}$ kg·m <sup>2</sup> )	Without brake	0.021	0.032	0.10	
	With brake	0.026	0.036	0.13	
Recommended moment of inertia ratio of the load and the rotor Note)3		30 times or less			
Rotary encoder specifications		2500 P/r			
		Incremental			
Resolution per single turn		10000			
Protective enclosure rating		IP65 (except rotating portion of output shaft and lead wire end)			
Environment	Ambient temperature	0 °C to 40 °C (free from freezing), Storage : -20 °C to 65 °C (Max. temperature guarantee 80 °C for 72 hours <nomal humidity>)			
	Ambient humidity	85 %RH or lower (free from condensing)			
	Installation location	Indoors (no direct sunlight), free from corrosive gas, inflammable gas, oil mist and dust			
	Altitude	1000 m or lower			
	Vibration resistance	49 m/s <sup>2</sup> or less			
Mass (kg), ( ) represents holding brake type		0.4 (0.6)	0.5 (0.7)	0.96 (1.36)	

Brake specifications (This brake will be released when it is energized. Do not use this for braking the motor in motion.)		
Static friction torque (N·m)	0.29	1.27
Engaging time (ms)	25	50
Releasing time (ms) Note)4	20 (30)	15 (100)
Exciting current (DC) (A)	0.26	0.36
Releasing voltage	DC 1 V or more	
Exciting voltage	DV 24 V $\pm$ 10 %	

Permissible load			
During assembly	Radial load P-direction (N)	147	392
	Thrust load A-direction (N)	88	147
	Thrust load B-direction (N)	117	196
During operation	Radial load P-direction (N)	68	245
	Thrust load A-direction (N)	58	98
	Thrust load B-direction (N)	58	98

For motor dimensions, refer to P.217, and for the diver, refer to P.212.

Model Designation

e.g.) M U M A 5 A Z P 1 S

Symbol	Type
MUMA	Ultra low inertia (50 W to 200 W)

Motor rated output	
Symbol	Rated output
5A	50 W
01	100 W
02	200 W

Voltage specifications	
Symbol	Specifications
1	100 V
Z	100/200 V (50 W only)

Design order 1 : Standard

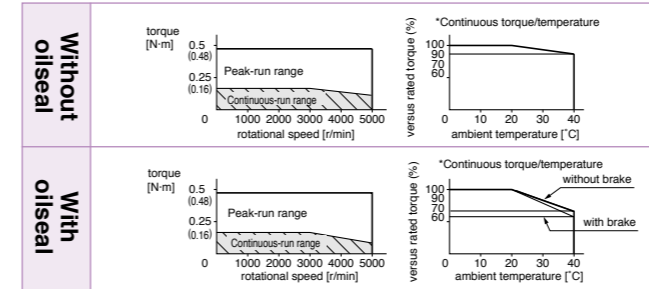
Motor structure					
Symbol	Shaft	Holding brake		Oil seal	
	Key-way, center tap	without	with	without	with
S	●	●		●	
T	●		●	●	

Rotary encoder specifications

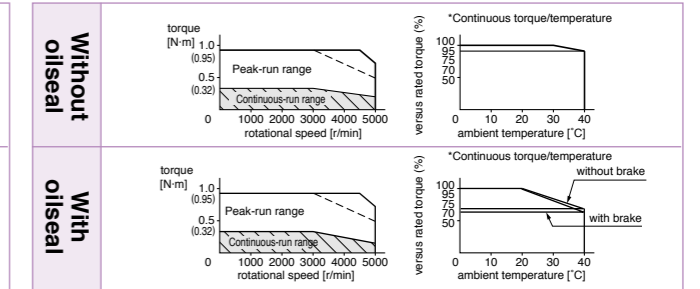
Symbol	Format	Pulse counts	Resolution	Wires
P	Incremental	2500 P/r	10000	5

Torque Characteristics [at AC100 V of power voltage (Dotted line represents the torque at 10 % less supply voltage.)]

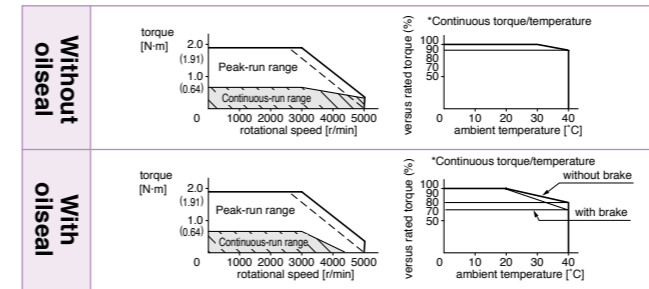
MUMA5AZP1□



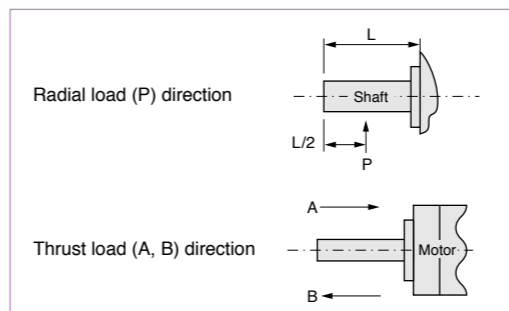
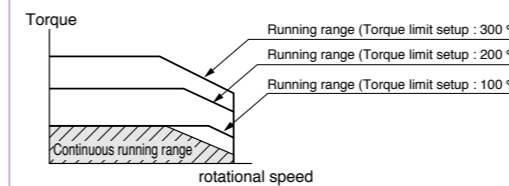
MUMA011P1□



MUMA021P1□



\*When you lower the torque limit setup (Pr5E and 5F), running range at high speed might be lowered as well.



- Note) 1. Regenerative brake frequency represents the frequency of the motor's stops from the rated speed with deceleration without load.
- If the load is connected, frequency will be defined as  $1/(m+1)$ , where  $m = (\text{load moment of inertia}) / (\text{rotor moment of inertia})$ .
  - When the motor speed exceeds the rated speed, regenerative brake frequency is in inverse proportion to the square of (running speed/rated speed).
  - Power supply voltage is AC115 V (at 100 V of the main voltage). If the supply voltage fluctuates, frequency is in inverse proportion to the square of (Running supply voltage/115) relative to the value in the table.
  - When regeneration occurs continuously such cases as running speed frequently changes or vertical feeding, consult us or a dealer.
2. If the effective torque is within the rated torque, there is no limit in regenerative brake.
3. Consult us or a dealer if the load moment of inertia exceeds the specified value.
4. Specified releasing time is obtained with the use of surge absorber for brake (Z15D151 by SEMITEC Corporation or equivalent). ( ) represents the actually measured value using a diode (200 V, 1 A or equivalent)

		AC200 V			
Motor model	MUMA	5AZP1□	012P1□	022P1□	042P1□
Applicable driver	Model No.	MKDET1505P		MKDET1310P	MLDET2310P
	Frame symbol	Frame K		Frame K	Frame L
				Frame L	
Power supply capacity (kVA)		0.3	0.3	0.5	0.9
Rated output (W)		50	100	200	400
Rated torque (N · m)		0.16	0.32	0.64	1.3
Momentary Max. peak torque (N · m)		0.48	0.95	1.91	3.8
Rated current (Arms)		1.0	1.0	1.6	2.5
Max. current (A <sub>o-p</sub> )		4.3	4.3	7.5	11.7
Regenerative brake frequency (times/min)	Without option	No limit		Note)2	
	Note)1 DV0P2891	No limit		Note)2	
Rated rotational speed (r/min)		3000			
Max. rotational speed (r/min)		5000			
Moment of inertia of rotor (×10 <sup>-4</sup> kg·m <sup>2</sup> )	Without brake	0.021	0.032	0.10	0.17
	With brake	0.026	0.036	0.13	0.20
Recommended moment of inertia ratio of the load and the rotor	Note)3	30 times or less			
Rotary encoder specifications		2500 P/r			
	Resolution per single turn	Incremental 10000			
Protective enclosure rating		IP65 (except rotating portion of output shaft and lead wire end)			
Environment	Ambient temperature	0 °C to 40 °C (free from freezing), Storage : -20 °C to 65 °C (Max.temperature guarantee 80 °C for 72 hours <nomal humidity>)			
	Ambient humidity	85 %RH or lower (free from condensing)			
	Installation location	Indoors (no direct sunlight), free from corrosive gas, inflammable gas, oil mist and dust			
	Altitude	1000 m or lower			
Vibration resistance		49 m/s <sup>2</sup> or less			
Mass (kg), ( ) represents holding brake type		0.4 (0.6)	0.5 (0.7)	0.96 (1.36)	1.5 (1.9)

Brake specifications (This brake will be released when it is energized. Do not use this for braking the motor in motion.)			
Static friction torque (N · m)		0.29	1.27
Engaging time (ms)		25	50
Releasing time (ms)	Note)4	20 (30)	15 (100)
Exciting current (DC) (A)		0.26	0.36
Releasing voltage		DC 1 V or more	
Exciting voltage		DV 24 V ±10 %	

Permissible load			
During assembly	Radial load P-direction (N)	147	392
	Thrust load A-direction (N)	88	147
	Thrust load B-direction (N)	117	196
During operation	Radial load P-direction (N)	68	245
	Thrust load A-direction (N)	58	98
	Thrust load B-direction (N)	58	98

For motor dimensions, refer to P.217, and for the driver, refer to P.212.

Note) Driver for 50 W and 100 W has a common power supply of single phase and 3-phase 200 V.

Driver for 200 W, the upper row is the power supply of 3-phase 200 V, and lower is the power supply of single-phase 200 V.

Driver for 400 W, the upper row is the power supply of 3-phase 200 V, and lower is the common power supply of single-phase and 3-phase 200 V.

Model Designation

e.g.) M U M A 5 A Z P 1 S

Symbol	Type
MUMA	Ultra low inertia (50 W to 400 W)

Symbol	Rated output
5A	50 W
01	100 W
02	200 W
04	400 W

Symbol	Specifications
2	200 V
Z	100/200 V (50 W only)

Design order 1 : Standard

Motor structure

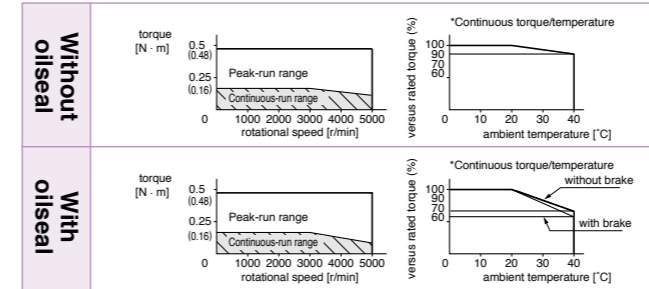
Symbol	Shaft Key-way, center tap	Holding brake		Oil seal	
		without	with	without	with
S	●	●		●	
T	●		●	●	

Rotary encoder specifications

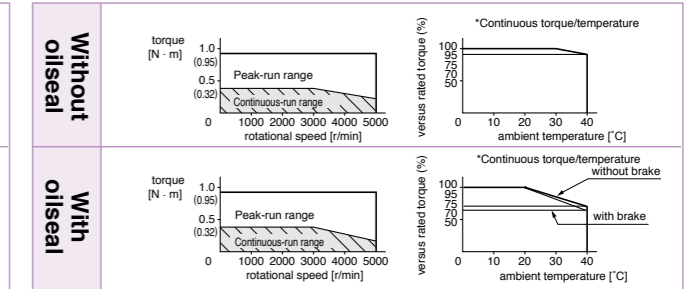
Symbol	Format	Pulse counts	Resolution	Wires
P	Incremental	2500 P/r	10000	5

Torque Characteristics [at AC200 V of power voltage (Dotted line represents the torque at 10 % less supply voltage.)]

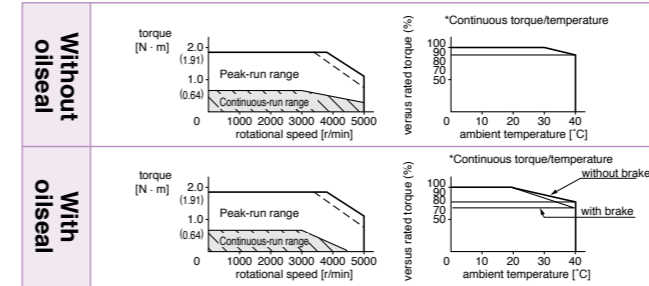
MUMA5AZP1□



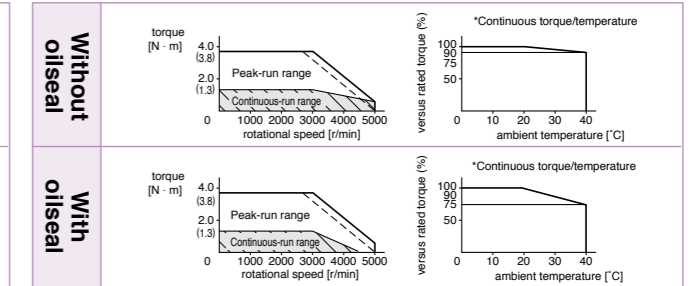
MUMA012P1□



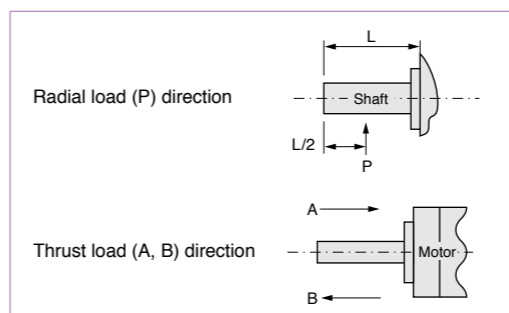
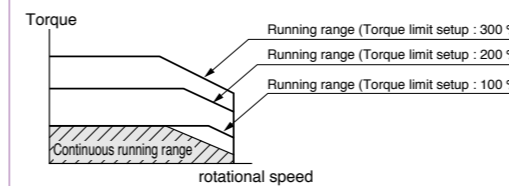
MUMA022P1□



MUMA042P1□

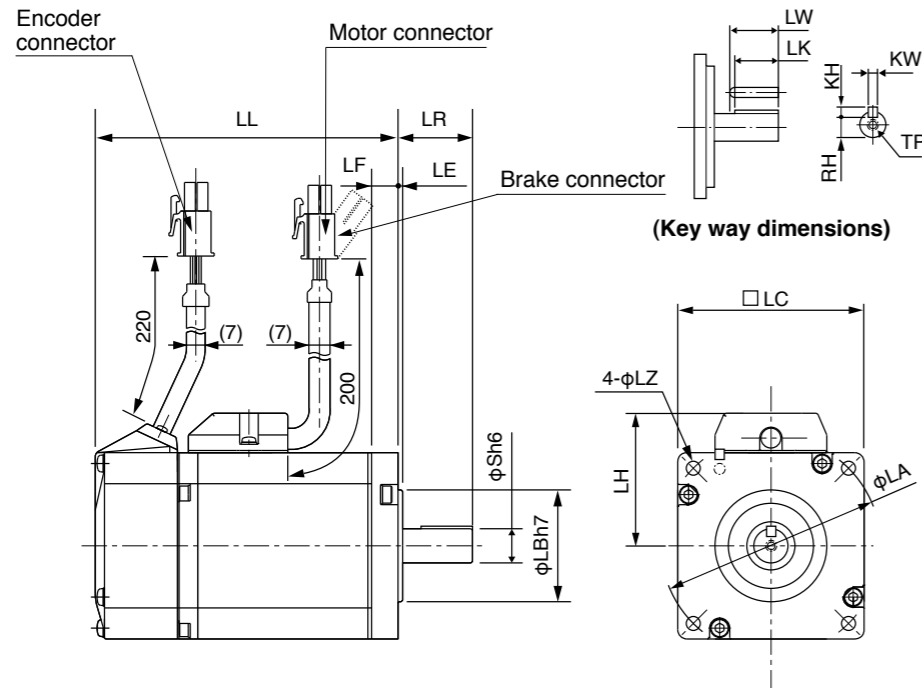


\*When you lower the torque limit setup (Pr5E and 5F), running range at high speed might be lowered as well.



- Note) 1. Regenerative brake frequency represents the frequency of the motor's stops from the rated speed with deceleration without load.
- If the load is connected, frequency will be defined as 1/(m+1), where m = (load moment of inertia) / (rotor moment of inertia).
  - When the motor speed exceeds the rated speed, regenerative brake frequency is in inverse proportion to the square of (running speed/rated speed).
  - Power supply voltage is AC240 V (at 200 V of the main voltage). If the supply voltage fluctuates, frequency is in inverse proportion to the square of (Running supply voltage/240) relative to the value in the table.
  - When regeneration occurs continuously such cases as running speed frequently changes or vertical feeding, consult us or a dealer.
2. If the effective torque is within the rated torque, there is no limit in regenerative brake.
3. Consult us or a dealer if the load moment of inertia exceeds the specified value.
4. Specified releasing time is obtained with the use of surge absorber for brake (Z15D151 by SEMITEC Corporation or equivalent). ( ) represents the actually measured value using a diode (200 V, 1 A or equivalent)

[Unit: mm]



\* Dimensions are subject to change without notice. Contact us or a dealer for the latest information

[Unit: mm]

MUMA series (Ultra low inertia)

Motor output	50 W	100 W	200 W	400 W	
Motor model	<b>MUMA</b> 5A□P1□	01□P1□	02□P1□	04□P1□	
Rotary encoder specifications	2500 P/r Incremental	2500 P/r Incremental	2500 P/r Incremental	2500 P/r Incremental	
LL	Without brake	75.5	92.5	123.5	
	With brake	107	124	156.5	
LR	24	24	30	30	
S	8	8	11	14	
LA	48	48	70	70	
LB	22	22	50	50	
LC	42	42	60	60	
LE	2	2	3	3	
LF	7	7	7	7	
LH	34	34	43	43	
LZ	3.4	3.4	4.5	4.5	
Key way	LW	14	14	20	25
	LK	12.5	12.5	18	22.5
	KW	3h9	3h9	4h9	5h9
	KH	3	3	4	5
	RH	6.2	6.2	8.5	11
	TP	M3 x 6 (depth)	M3 x 6 (depth)	M4 x 8 (depth)	M5 x 10 (depth)
Mass (kg)	Without brake	0.40	0.50	0.96	1.5
	With brake	0.60	0.70	1.36	1.9
Connector/Plug specifications	refer to Options, P.225, P.226.				

<Cautions>

Reduce the moment of inertia ratio if high speed response operation is required.  
Read the Instruction Manual carefully and understand all precautions and remarks before using the products.

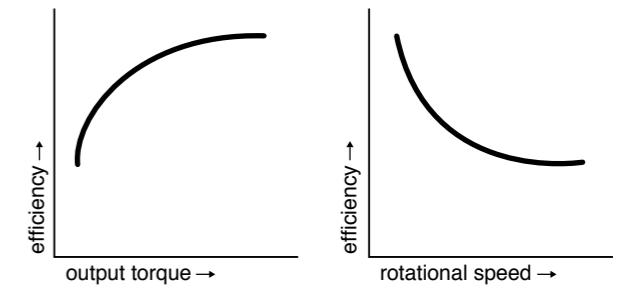
Motor Types/ Model No. Designation Specifications

MINAS E Series Motors with Gear Reducer

Motor Types with Gear Reducer

Reduction ratio	Motor output (W)			Type of reducer
	100	200	400	
1/5	●	●	●	For high precision
1/9	●	●	●	
1/25	●	●	●	

Efficiency of the gear reducer shows the following inclination in relation to output torque and rotational speed.



Model No. Designation

e.g.) M U M A 0 1 1 P 3 1 N

Symbol	Type
MUMA	Low inertia (100 to 400 W)

Motor rated output	
Symbol	Rated output
01	100 W
02	200 W
04	400 W

Voltage specifications	
Symbol	Specifications
1	100 V
2	200 V

Motor types with gear reducer

Symbol	Reduction ratio	Motor output			Type of reducer
		100	200	400	
1N	1/5	●	●	●	For High precision
2N	1/9	●	●	●	
4N	1/25	●	●	●	

Motor structure

Symbol	Shaft Key-way		Holding brake	
	without	with	without	with
3	●	●	●	●
4	●	●	●	●

Rotary encoder specifications

Symbol	Format	Pulse counts	Pulse counts	Wire
P	Incremental	2500 P/r	10000	5

Specifications of Motor with Gear Reducer

Motor type	MUMA	
Gear reducer	Backlash	3 minutes or smaller (initial value) at output shaft of the reducer
	Composition of gear	Planetary gear
	Gear efficiency	65 % to 85 %
	Rotational direction at output shaft (of reducer)	Same direction as the motor output shaft
	Composition of gear	Planetary gear
	Mounting method	Flange mounting
	Permissible moment of inertia of the load (conversion to the motor shaft)	10 times or smaller than rotor moment of inertia of the motor
Environment	Protective structure	IP44 (at gear reducer)
	Ambient temperature	0 °C to 40 °C
	Ambient humidity	85 %RH (free from condensation) or less
	Vibration resistance	49 m/s <sup>2</sup> or less (at motor frame)
	Impact resistance	98 m/s <sup>2</sup> or less

Table of Motor with Gear Reducer Specifications

Model	MUMA with gear reducer												
	Output	Reduction ratio	Output	Rated speed	Max. speed	Rated torque	Peak max. torque	Moment of inertia (motor + reducer/converted to motor shaft)		Mass		Permissible radial load	Permissible thrust load
	(W)		(W)	(r/min)	(r/min)	(N·m)	(N·m)	w/o brake	w/ brake	w/o brake	w/ brake	(N)	(N)
MUMA01□P□1N	100	1/5	75	600	1000	1.18	3.72	0.072	0.076	1.05	1.25	490	245
MUMA01□P□2N		1/9	80	333	555	2.25	6.86	0.0663	0.0703	1.05	1.25	588	294
MUMA01□P□4N		1/25	80	120	200	6.27	19.0	0.0645	0.0685	2.20	2.40	1670	833
MUMA02□P□1N	200	1/5	170	600	1000	2.65	8.04	0.218	0.248	1.68	2.08	490	245
MUMA02□P□2N		1/9	132	333	555	3.72	11.3	0.368	0.398	2.66	3.06	1180	588
MUMA02□P□4N		1/25	140	120	200	11.1	33.3	0.388	0.418	2.66	3.06	1670	833
MUMA042P□1N	400	1/5	340	600	1000	5.39	16.2	0.533	0.563	3.2	3.6	980	490
MUMA042P□2N		1/9	332	333	555	9.51	28.5	0.438	0.468	3.2	3.6	1180	588
MUMA042P□4N		1/25	332	120	200	26.4	79.2	0.470	0.500	4.7	5.1	2060	1030

For dimensions, refer to P.221.

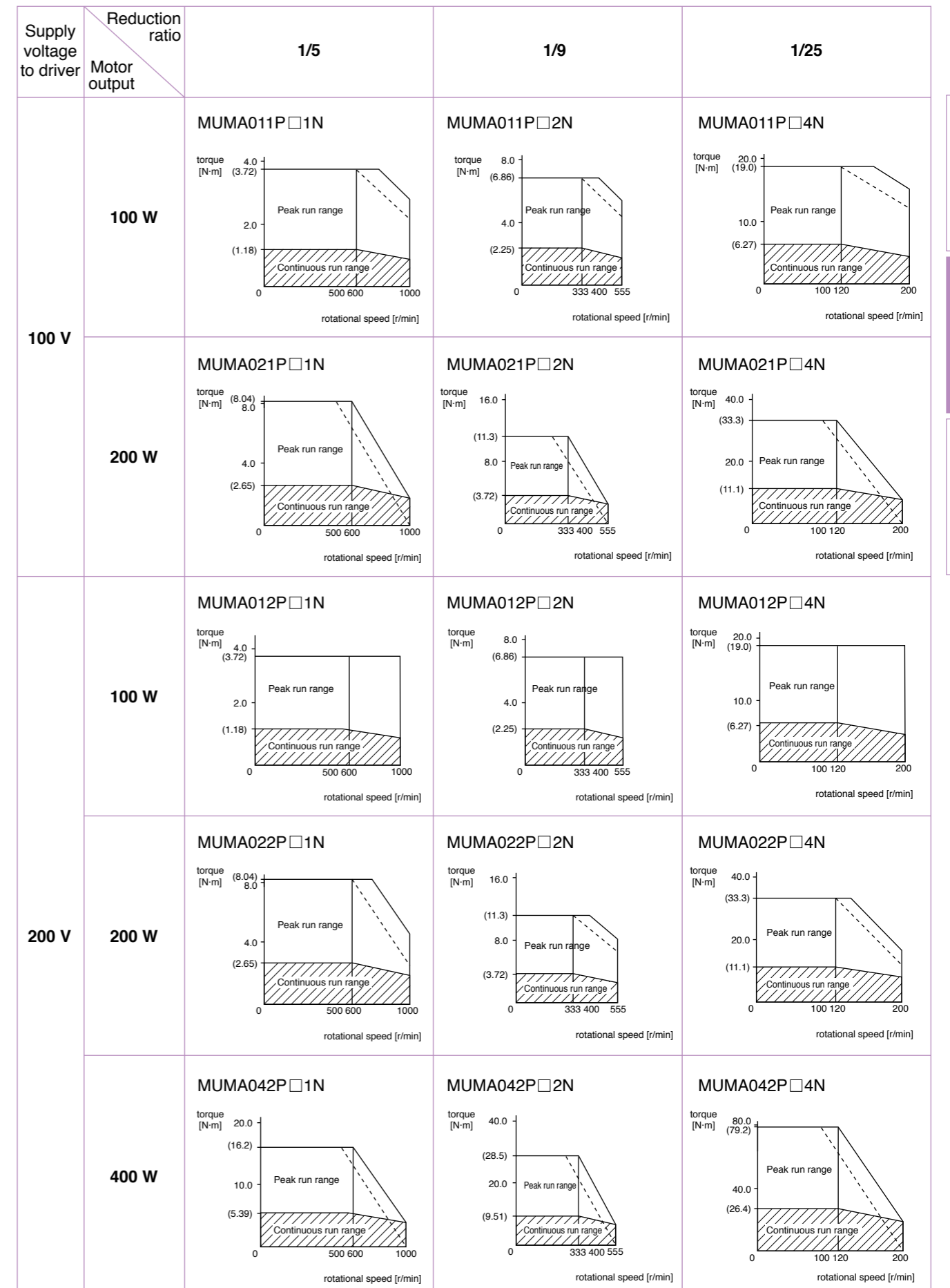
The Combination of the Driver and the Motor with Gear Reducer

Combination with driver		100 V			200 V		
Encoder	Motor output	Part No. of motor with gear reducer	Single phase, 100 V	Part No. of motor with gear reducer	3-phase, 200 V	Single phase, 200 V	
			Part No. of driver		Part No. of driver	Part No. of driver	
2500 P/r Incremental	100 W	MUMA011P□□N	MKDET1110P	MUMA012P□□N	MKDET1505P	MKDET1505P	
	200 W	MUMA021P□□N	MLDET2110P	MUMA022P□□N	MKDET1310P	MLDET2210P	
	400 W	-	-	MUMA042P□□N	MLDET2510P MLDET2310P	MLDET2510P	

For dimensions, refer to P.212.

Torque Characteristics

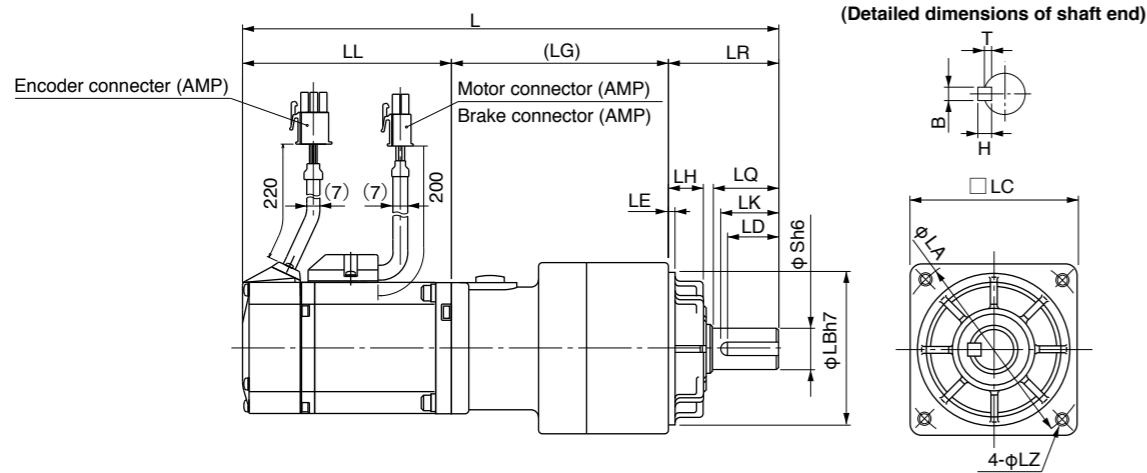
For High Precision (MUMA Series 100 W to 400 W)



Dotted line represents the torque at 10 % less supply voltage.

MUMA series with Gear Reducer

[Unit: mm]



2500 P/r Encoder

[Unit: mm]

Model	Motor output	Reduction ratio	L	LL	LR	LQ	LC	LB	LA	S	LH	LZ	LK	(LG)	LE	Key way BxHxLD	T					
MUMA01□P□1N	100 W	1 / 5	192	92.5	32	20	52	50	60	12	10	M5 (Depth: 12)	18	67.5	3	4x4x16	2.5					
			223.5	124																		
MUMA01□P□2N		1 / 9	192	92.5	50	30	78	70	90	19	17	M6 (Depth: 20)	26	92	6x6x22	3.5						
			223.5	124																		
MUMA01□P□4N		1/25	234.5	92.5	266	124	200 W	1 / 5	200.5	96	32	20	52	50	60	12	10	M5 (Depth: 12)	18	72.5	4x4x16	2.5
MUMA02□P□1N		1 / 9	235.5	96	50	30	78	70	90	19	17	M6 (Depth: 20)	26	100	6x6x22	3.5						
	268.5		129																			
MUMA02□P□2N	1/25	246	96	61	40	98	90	115	24	18	M8 (Depth: 20)	35	104	5	8x7x30	4						
		279	129																			
MUMA02□P□4N	1 / 5	263	123.5	400 W	1 / 9	263	123.5	296	156.5	288.5	123.5	321.5	156.5									
		296	156.5																			
MUMA042P□1N	1 / 5	263	123.5	296	156.5	288.5	123.5	321.5	156.5													
MUMA042P□2N	1 / 9	263	123.5							296	156.5	288.5	123.5	321.5	156.5							
MUMA042P□4N	1/25	288.5	123.5	296	156.5	288.5	123.5	321.5	156.5													

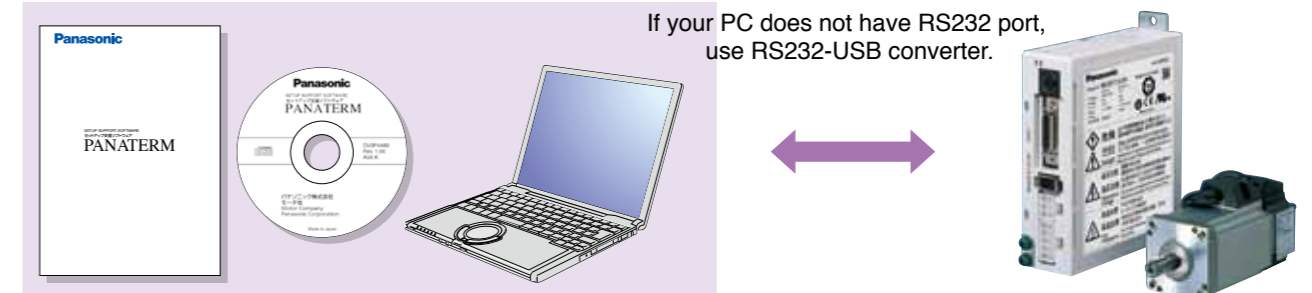
Upper column : without brake  
Lower column : with brake

Setup Support Software

Setup Support Software "PANATERM" for MINAS series AC Servo Motor & Driver

Part No. DV0P4460 (Japanese/English version)

The PANATERM assists users in setting parameters, monitoring control conditions, setup support, and analyzing mechanical operation data on the PC screen, when installed in a commercially available personal computer, and connected to the MINAS A4 series, E series through the RS232 serial interface.



Basic Function

Parameter setup

- After a parameter is defined on the screen, it will be sent to the driver immediately.
- Once you register parameters you frequently use, they can be easily set up on the screen.

Monitoring Control Conditions

Monitor

- Control conditions: Control mode, velocity, torque, error and warning
- Driver input signal
- Load conditions: Total count of command/feedback pulses, Load ratio, Regenerative resistor load ratio

Alarm

- Displays the numbers and contents of the current alarm and up to 14 error events in the past.
- Clears the numbers and contents of the current alarm and up to 14 error events in the past.

Setup

Auto tuning

- Gain adjustment and inertia ratio measurement

Graphic waveform display

- The graphic display shows command velocity, actual velocity, torque, and error waveforms.

Absolute encoder setup

- Clears absolute encoder at the origin.
- Displays single revolution/multi-revolution data.
- Displays absolute encoder status.

Analysis of Mechanical Operation Data

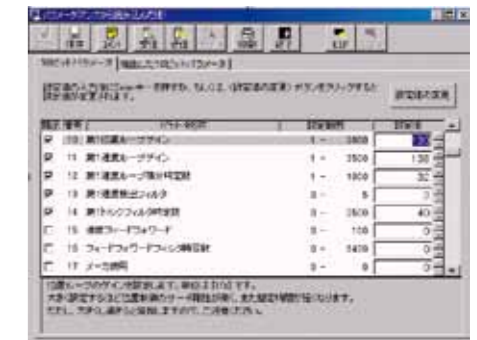
Frequency analysis

- Measures frequency characteristics of the machine, and displays Bode diagram.

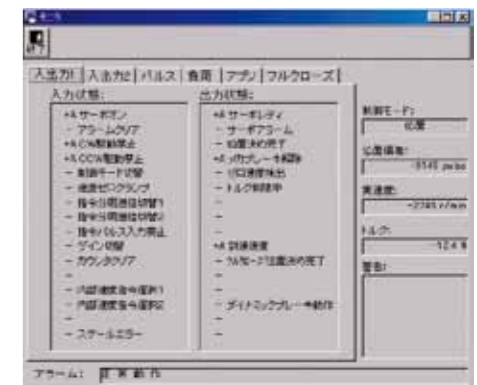
Can not use with A5, A6 family.

Hardware configuration

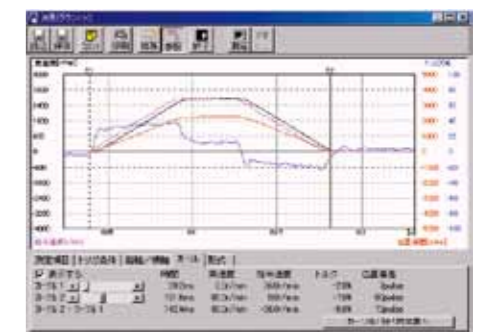
- [Personal computer] • CPU : Pentium 100MHz or more • Memory : 16 MB or more (32 MB recommended)
- Hard disk capacity (vacancy of 25 MB or more recommended) • OS : Windows® 98, Windows® Me, Windows® 2000, Windows® XP (US version)
- Communication speed of serial communication port : 2400 bps or more (The software may not operate normally using USB-to-Serial adapter.)
- [Display] • Resolution : 640\*480 (VGA) or more (desirably 1024\*768) • Number of colors : 256 colors or more
- [CD-ROM drive] • CD-ROM drive operable on the above-mentioned personal computer



Parameter



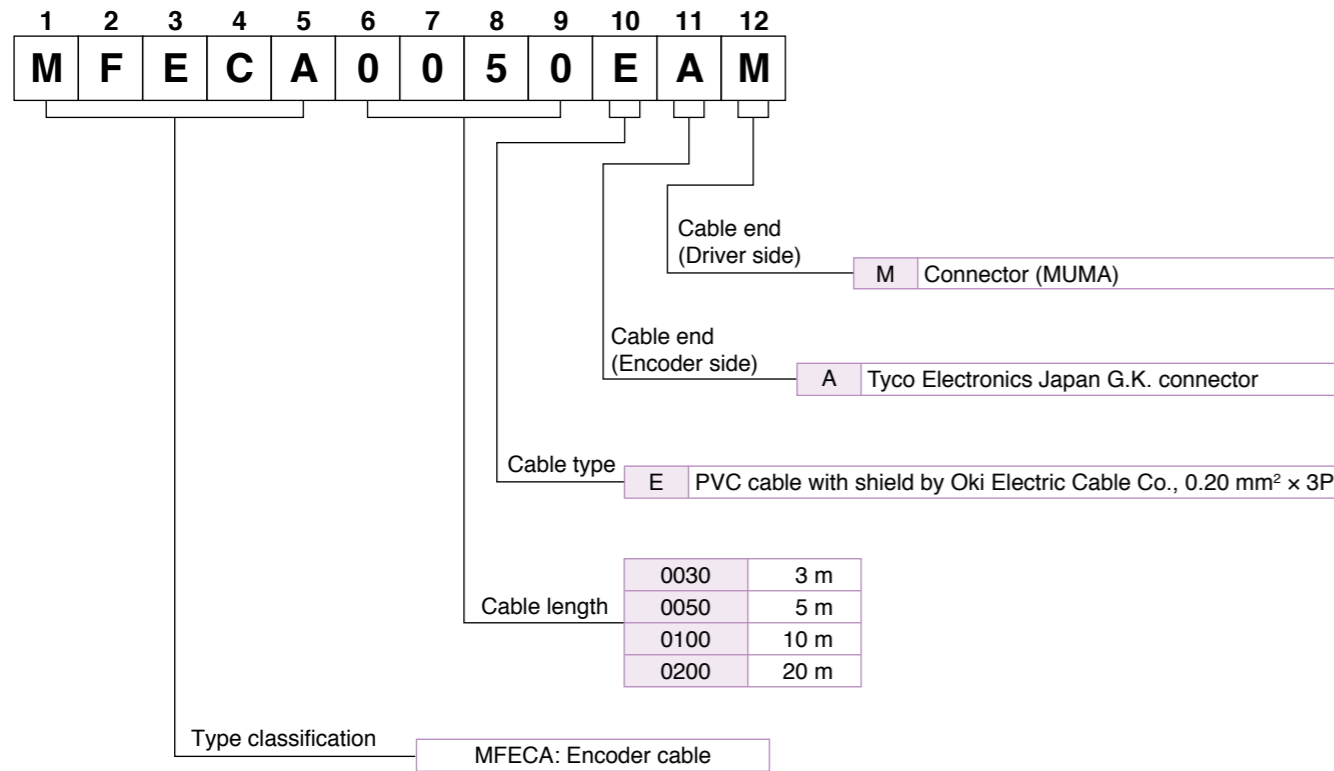
Monitor



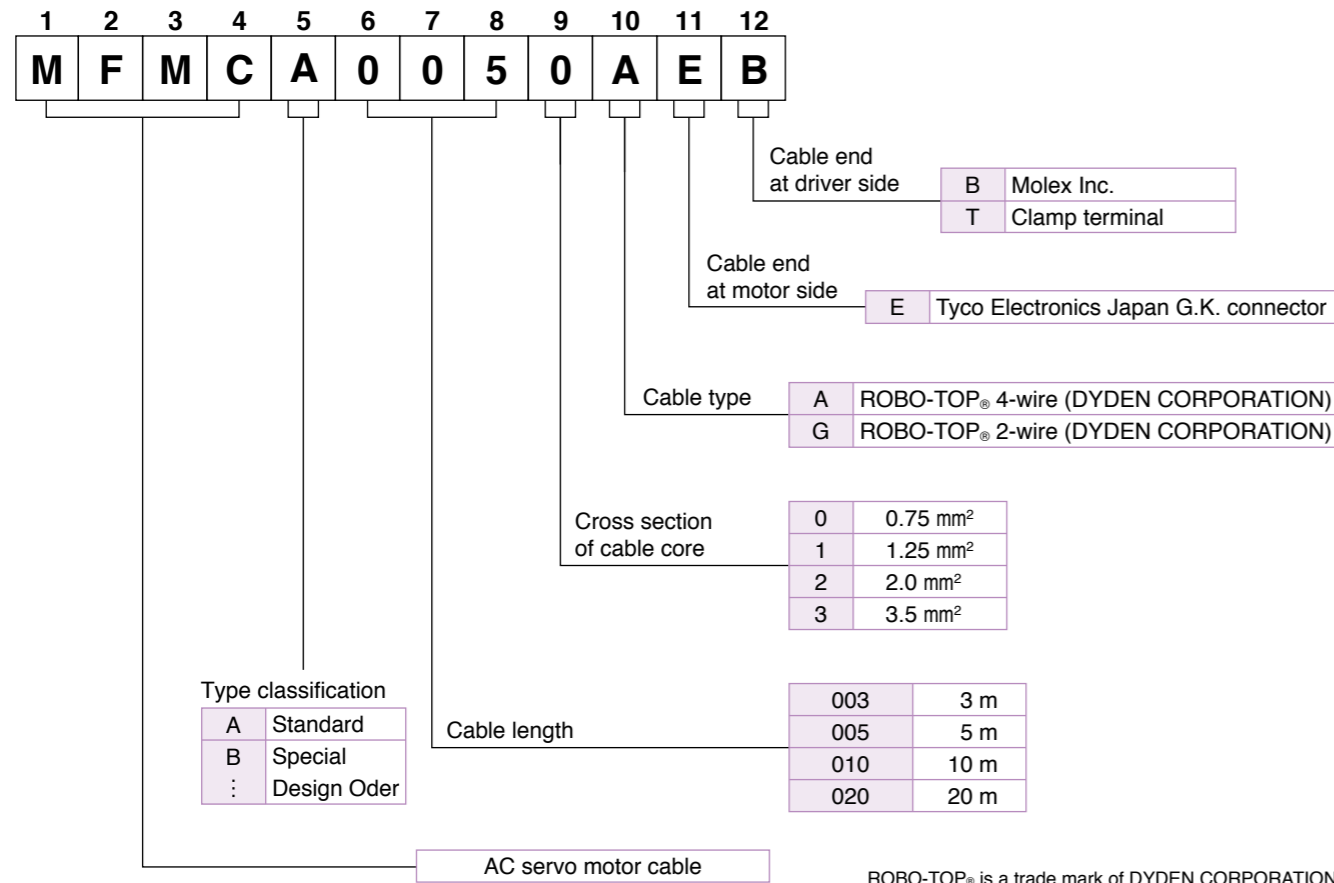
Graphic waveform display



Encoder Cable



Motor Cable, Brake Cable



ROBO-TOP® is a trade mark of DYDEN CORPORATION

Cable

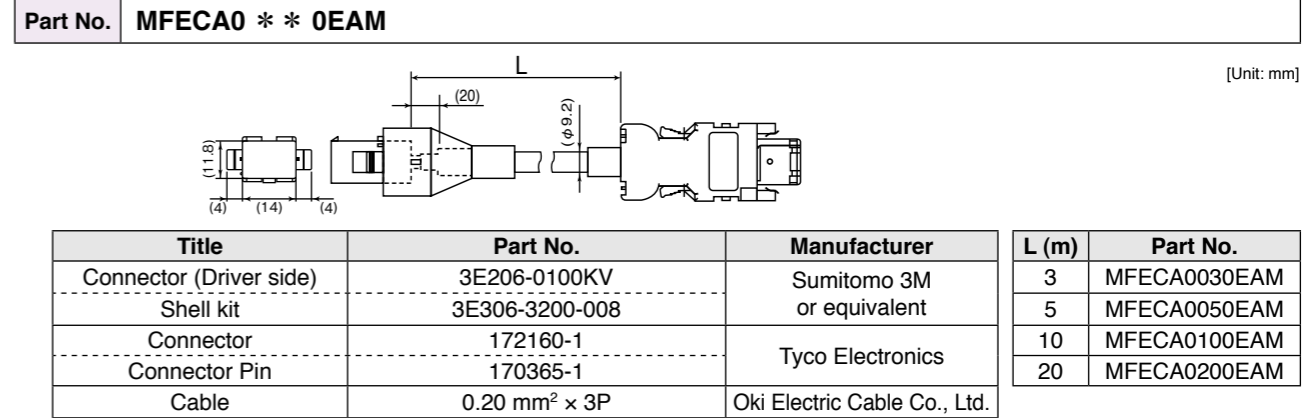
Cable Set (3 m)

- Part No. **DV0P37300**
- 1) Interface cable : DV0P0800
  - 2) Encoder cable (3 m) : MFECA0030EAM
  - 3) Motor cable (3 m) : MFMCA0030AEB
  - 4) Connector kit for driver power supply connection : DV0P2870

Cable Set (5 m)

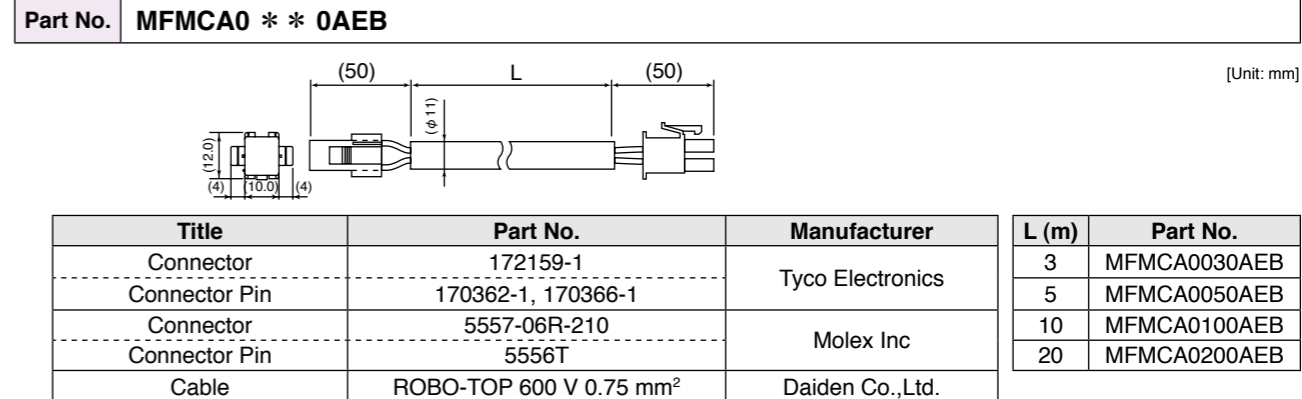
- Part No. **DV0P39200**
- 1) Interface cable : DV0P0800
  - 2) Encoder cable (5 m) : MFECA0050EAM
  - 3) Motor cable (5 m) : MFMCA0050AEB
  - 4) Connector kit for driver power supply connection : DV0P2870

Encoder Cable



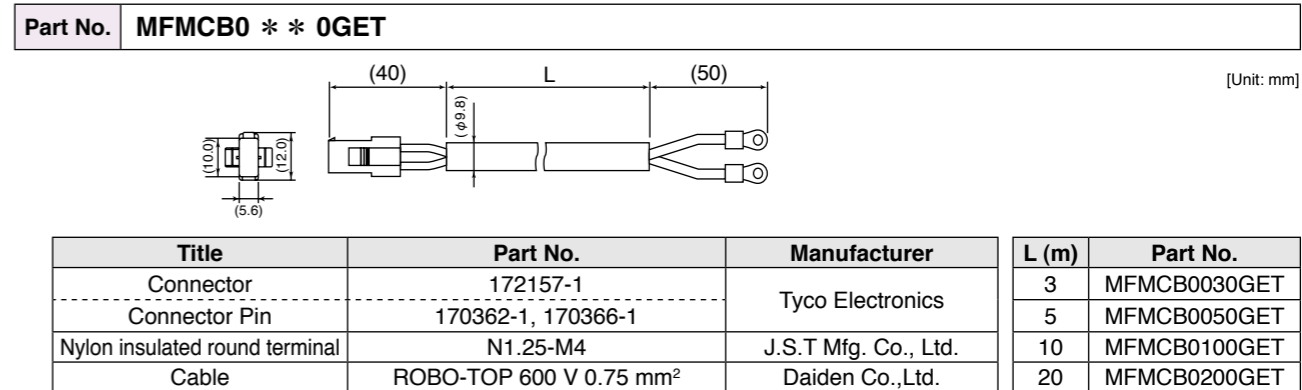
Motor Cable (ROBO-TOP® 105 °C 600 V . DP)

ROBO-TOP® is a trade mark of DYDEN CORPORATION



Brake Cable (ROBO-TOP® 105 °C 600V . DP)

ROBO-TOP® is a trade mark of DYDEN CORPORATION



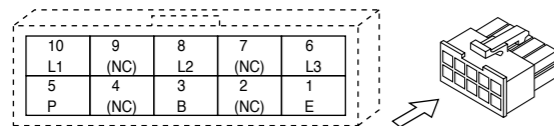
Connector Kit for Power Supply Connection

Part No.	DV0P2870
----------	----------

● Parts composition

Title	Part No.	Number	Manufacturer	Note
Connector (10 pins)	5557-10R-210	1	Molex Inc.	For connector, CN X1 (10 pins)
Connector pin	5556PBTL	6		

● Pin configuration of connector CN X1



● Recommended manual crimping tool (to be prepared by customer)

Part No.	Cable material
57026-5000	UL1007
57027-5000	UL1015

<Cautions>

1. The above pin disposition is shown when viewed from the terminal inserting direction. Make a correct wiring by checking the stamped pin numbers on the connector itself.
2. Refer to P.210 for wiring and connection.
3. Do not connect anything to pins marked "NC".

Connector Kit for Motor/Encoder Connection

Part No.	DV0P3670 (Incremental 2500 pulse, 5-wire)
----------	---

This option is required when you make your own encoder cable and motor cable. (Brake cable is required for brake.)

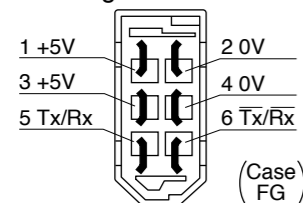
● Parts composition

Title	Part No.	Number	Manufacturer	Note
Connector (Driver side)	3E206-0100 KV	1	Sumitomo 3M or equivalent	For connector, CN X4 (6 pins)
Shell kit	3E306-3200-008	1		
Connector (6 pins)	172160-1	1	Tyco Electronics	For junction to encoder cable (6 pins)
Connector pin	170365-1	6		
Connector (4 pins)	172159-1	1	Tyco Electronics	For junction to motor power cable (4 pins)
Connector pin	170366-1	4		
Connector (6 pins)	5557-06R-210	1	Molex Inc.	For connector, CN X3 (6 pins)
Connector pin	5556PBTL	4		

<Remarks>

We may use parts equivalent to the above for shell and connector cover.

● Pin configuration of connector CN X4 plug



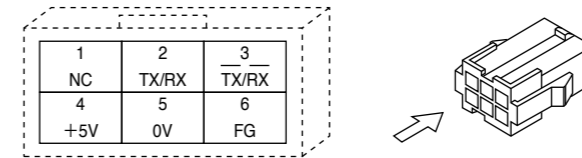
● Recommended manual crimping tool (to be prepared by customer)

Title	Part No.	Manufacturer	Cable material
For encoder cable junction	755330-1	Tyco Electronics	—
For motor power cable junction	755331-1		
For Connector CN X3	57026-5000	Molex Inc.	UL1007
	57027-5000		UL1015

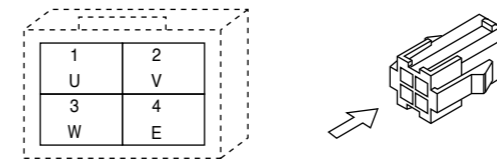
<Remarks>

1. The above pin configuration is shown when viewed from the pin-soldering direction. Make a correct wiring by checking the stamped pin numbers on the connector itself.
2. Connect the shield of the wire to the case (FG) without fail.
3. For wiring and connection, refer to P.210.

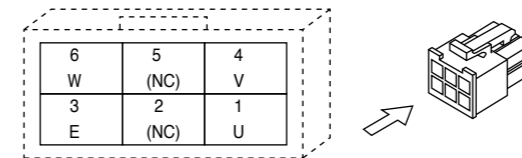
● Pin configuration of encoder cable junction



● Pin configuration of motor power cable junction



● Pin configuration of mating connector to CN X3 connector



<Cautions>

1. The above pin configuration is shown when viewed from the terminal inserting direction. Make a correct wiring by checking the stamped pin numbers on the connector itself.
2. Refer to P.210 for wiring and connection.

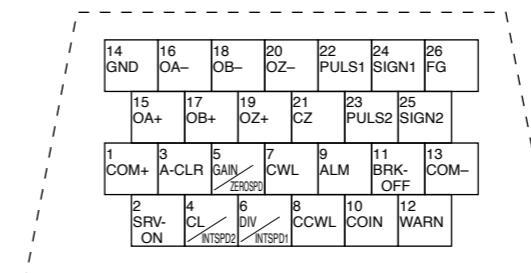
Connector Kit for External Peripheral Equipment

Part No.	DV0P0770
----------	----------

● Parts composition

Title	Part No.	Number	Manufacturer	Note
Connector	10126-3000PE	1	Sumitomo 3M or equivalent	For connector, CN X5 (26 pins)
Connector cover	10326-52A0-008	1		

● Pin configuration of connector CN X5 (26 pins) (viewed from the soldering side)



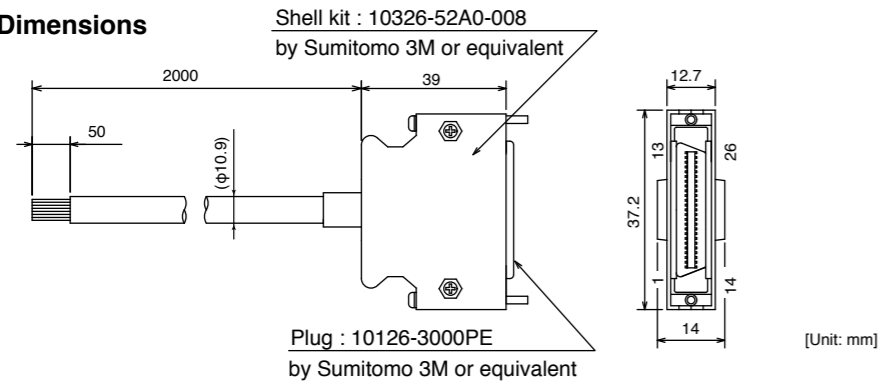
<Cautions>

1. Make a correct wiring by checking the stamped pin numbers on the connector itself.
2. Refer to P.211 for symbols and functions of the above signals.

Interface Cable

Part No.	DV0P0800	Cable of 2 m is connected.
----------	----------	----------------------------

● Dimensions



● Wiring table

Pin No.	Title of signal	Color or cable	Pin No.	Title of signal	Color or cable	Pin No.	Title of signal	Color or cable
1	COM+	Orange (Red 1)	10	COIN	Pink (Black 1)	19	OZ+	Pink (Red 2)
2	SRV-ON	Orange (Black 1)	11	BRK-OFF	Orange (Red 2)	20	OZ-	Pink (Black 2)
3	A-CLR	Gray (Red 1)	12	WARN	Orange (Black 2)	21	CZ	Orange (Red 3)
4	CL/INTSPD2	Gray (Black 1)	13	COM-	Gray (Red 2)	22	PULS1	Gray (Red 3)
5	GAIN/ZEROSPD	White (Red 1)	14	GND	Gray (Black 2)	23	PULS2	Gray (Black 3)
6	DIV/INTSPD1	White (Black 1)	15	OA+	White (Red 2)	24	SIGN1	White (Red 3)
7	CWL	Yellow (Red 1)	16	OA-	White (Black 2)	25	SIGN2	White (Black 3)
8	CCWL	Yellow (Black 1)	17	OB+	Yellow (Red 2)	26	FG	Orange (Black 3)
9	ALM	Pink (Red 1)	18	OB-	Yellow (Black 2)			

<Notes>

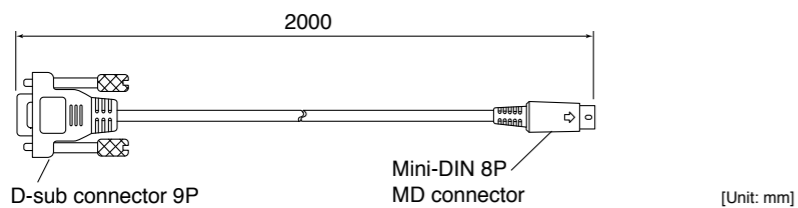
e. g. of Pin No. designation : Pin No. 1 ..... Wire color is orange, and one red dot.  
Pin No. 12 ... Wire color is orange, and two black dot.

<Remarks>

The shield of this cable is not connected to a connector pin. To connect the shield to FG or GND at the driver side, use a connector kit for external device connection.

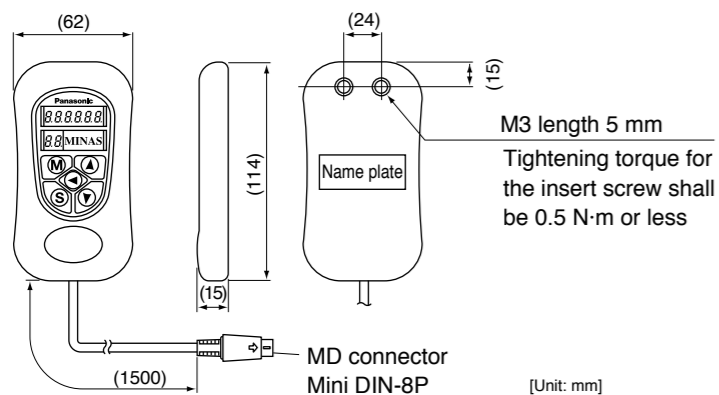
Communication Cable (For Connection with PC)

Part No.	DV0P1960
----------	----------



Console

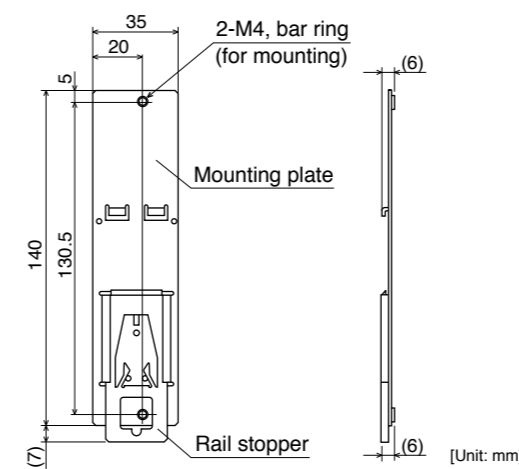
Part No.	DV0P4420
----------	----------



DIN Rail Mounting Unit

Part No.	DV0P3811
----------	----------

● Dimensions



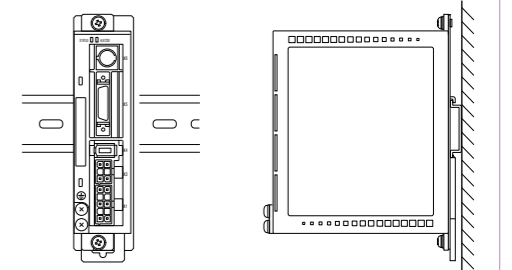
<Notes>

2 mounting screws (M4 X L8, Pan head) are attached.  
Rail stopper can be extended to max. 10 mm.

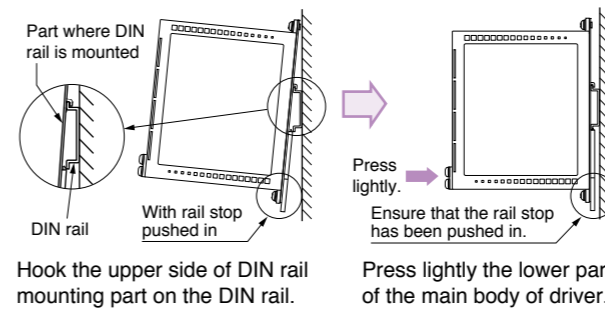
<Cautions>

Please read carefully operation manual before using this product.  
In addition, please do not apply excessive stress to the product.

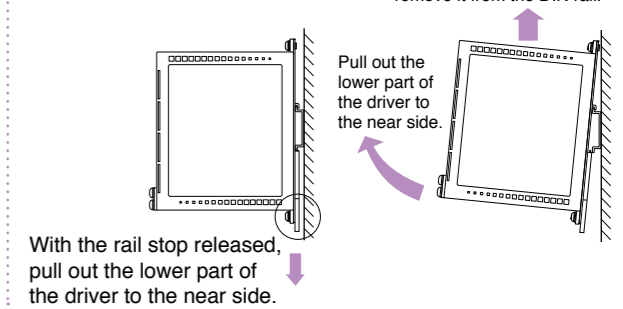
- Driver mounted to DIN rail



• How to Install



• Removing from DIN Rail

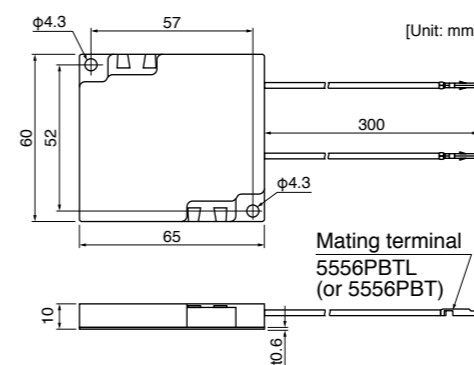


External Regenerative Resistor

Part No.	Manufacturer's Part No.	Specifications			Note (Input Power of drive)
		Resistance Ω	Rated power W	Activation temperature of built-in fuse °C	
DV0P2890	45M03	50	10	137 <sup>+0.3</sup> <sub>-0.3</sub>	Single phase, 100 V
DV0P2891	45M03	100	10	137 <sup>+0.3</sup> <sub>-0.3</sub>	Single/3-phase, 200 V

Manufactured by Iwaki Musen Kenkyusho Co., Ltd.

● Dimensions



<Caution of when using external regeneration resistor>

Since it becomes high temperature, external regeneration resistor must be installed according to the contents shown below.

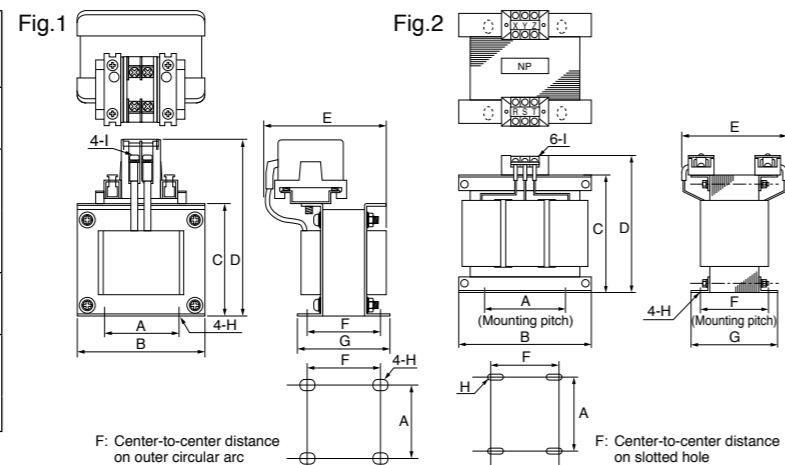
- Attach to incombustibles, such as metal.
  - Install in the place which cannot touch directly by covering with incombustibles etc.
  - Do not install near the combustibles.
- Although the thermal cutoff is built in external regeneration resistor, the skin temperature of regeneration resistor may become high exceeding the operating temperature of thermal cutoff by the time the thermal cutoff operates in driver failure. The thermal cutoff is for preventing ignition of the regeneration resistor in driver failure, and is not for controlling the skin temperature of resistor.

<Remarks>

Thermal fuse is installed for safety.  
The thermal fuse may blow due to heat dissipating condition, working temperature, supply voltage or load fluctuation. Make it sure that the surface temperature of the resistor may not exceed 100 °C at the worst running conditions with the machine, which brings large regeneration (such case as high supply voltage, load inertia is large or deceleration time is short) Please carry out air cooling if needed.

Reactor

Frame symbol of driver	Power supply specifications	Rated output	Part No.	Fig.
MKDE	Single phase, 100 V	50 W to 100 W	DV0P227	1
	Single phase, 200 V	50 W to 100 W	DV0P220	2
	3-phase, 200 V	50 W to 200 W		
MLDE	Single phase, 100 V	200 W	DV0P228	1
	Single phase, 200 V	200 W to 400 W	DV0P220	2
	3-phase, 200 V	400 W		



[Unit: mm]

	Part No.	A	B	C	D	E (Max)	F	G	H	I	Inductance (mH)	Rated current (A)
Fig.1	DV0P227	55±0.7	80±1	66.5±1	110 Max	90	41±2	55±2	4-5φ×10	M4	4.02	5
	DV0P228	55±0.7	80±1	66.5±1	110 Max	95	46±2	60±2	4-5φ×10	M4	2	8
Fig.2	DV0P220	65±1	125±1	(93)	136 Max	155	70 +3/-0	85±2	4-7φ×12	M4	6.81	3

**Harmonic restraint**

Harmonic restraint measures are not common to all countries. Therefore, prepare the measures that meet the requirements of the destination country.

When installing a product for Japan, refer to the instruction manual available on our website.

[Panasonic Corporation, Motor Business Unit web site]

<http://industrial.panasonic.com/ww/products/motors-compressors/fa-motors>

**<Remarks>**

When using a reactor, be sure to install one reactor to one servo driver.

■ Recommended components

Surge Absorber for Motor Brake

Motor	Surge absorber for motor brake	
	Part No. (Manufacturer's)	Manufacturer
MUMA 50 W to 400 W	Z15D151	SEMITEC Corporation

List of Peripheral Components

List of Peripheral Components

Manufacturer	Tel No. / Home Page	Peripheral components
Panasonic Corporation Eco Solutions Company	<a href="http://panasonic.net/es/">http://panasonic.net/es/</a>	Circuit breaker
Panasonic Corporation Automotive & Industrial Systems Company	<a href="http://panasonic.net/id/">http://panasonic.net/id/</a>	Surge absorber Switch, Relay
Iwaki Musen Kenkyusho Co., Ltd.	+81-44-833-4311 <a href="http://www.iwakimusen.co.jp/">http://www.iwakimusen.co.jp/</a>	Regenerative resistor
SEMITEC Corporation	+81-3-3621-2703 <a href="http://www.semitec.co.jp/english2/">http://www.semitec.co.jp/english2/</a>	Surge absorber for motor brake
TDK Corporation	+81-3-5201-7229 <a href="http://www.global.tdk.com/">http://www.global.tdk.com/</a>	Ferite core for signal lines
Okaya Electric Industries Co. Ltd.	+81-3-4544-7040 <a href="http://www.okayaelec.co.jp/english/index.html">http://www.okayaelec.co.jp/english/index.html</a>	Surge absorber Noise filter
Sumitomo 3M	+81-3-5716-7290 <a href="http://solutions.3m.com/wps/portal/3M/ja_JP/WW2/Country/">http://solutions.3m.com/wps/portal/3M/ja_JP/WW2/Country/</a>	Connector
Tyco Electronics Japan G.K.	+81-44-844-8052 <a href="http://www.te.com/ja/home.html">http://www.te.com/ja/home.html</a>	
Japan Molex Inc.	+81-462-65-2313 <a href="http://www.molex.co.jp">http://www.molex.co.jp</a>	
DYDEN CORPORATION	+81-3-5805-5880 <a href="http://www.dyden.co.jp/english/index.htm">http://www.dyden.co.jp/english/index.htm</a>	Cable

\* The above list is for reference only. We may change the manufacturer without notice.



## Contents

<b>A6 Family</b> .....	<b>233</b>
EU Directives / Conformity to UL Standards / KC .....	233
Composition of Peripheral Equipments .....	235
<b>E Series</b> .....	<b>239</b>
Compliance to EU and EMC Directives .....	239
Composition of Peripheral Components .....	240
Conformity to UL Standards.....	240
<b>Motor capacity selection software</b> .....	<b>241</b>
AC Servo Motor Capacity Selection Software .....	241
Option Selection Software for AC Servo Motor.....	241
<b>Guide to the International System of Units (SI)</b> .....	<b>242</b>
<b>Selecting Motor Capacity</b> .....	<b>244</b>
<b>Request Sheet for Motor Selection</b> .....	<b>250</b>
<b>Connection Between Driver and Controller</b> .....	<b>258</b>
Connection Between A6 Family Driver and Controller.....	258
Replacing Old Model Servo Driver with MINAS A6 Series .....	263
Connection Between E Series Driver and Controller.....	267
Index.....	272
Sales Office .....	284

EU Directives

The EU Directives apply to all such electronic products as those having specific functions and have been exported to EU and directly sold to general consumers. Those products are required to conform to the EU unified standards and to furnish the CE marking on the products. However, our AC servos meet the relevant EU Directives for Low Voltage Equipment so that the machine or equipment comprising our AC servos can meet EU Directives.

EMC Directives

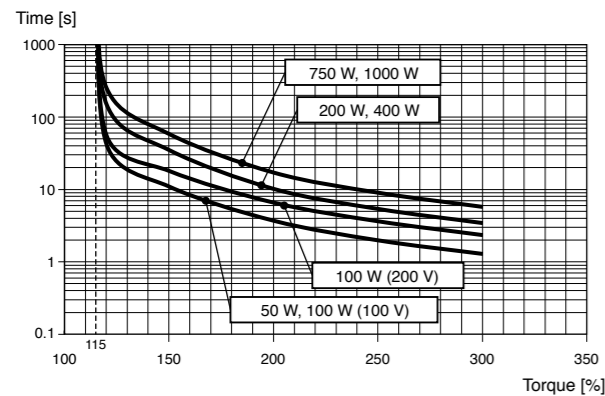
MINAS Servo System conforms to relevant standard under EMC Directives setting up certain model (condition) with certain locating distance and wiring of the servo motor and the driver. And actual working condition often differs from this model condition especially in wiring and grounding. Therefore, in order for the machine to conform to the EMC Directives, especially for noise emission and noise terminal voltage, it is necessary to examine the machine incorporating our servos.

Conformity to UL Standards

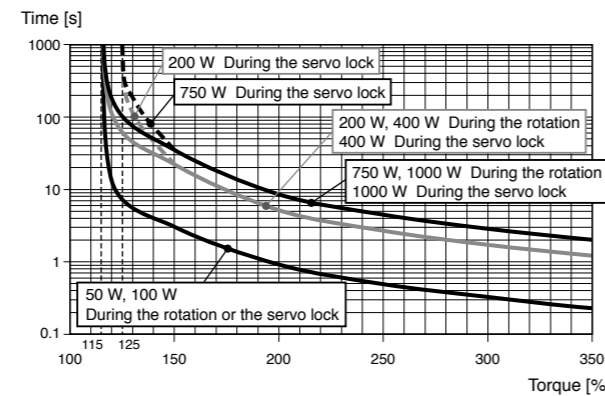
Observe the following conditions of (1) and (2) to make the system conform to UL508C (E164620).  
 (1) Use the driver in an environment of Pollution Degree 2 or 1 prescribed in IEC60664-1. (e.g. Install in the control box with IP54 enclosure.)  
 (2) Make sure to install a circuit breaker or fuse which are UL recognized (Listed  $\text{UL}$  marked) between the power supply and the noise filter. For rated current of circuit breaker and fuse, refer to P.21 "Driver and List of Applicable Peripheral Equipments".  
 Use a copper cable with temperature rating of 75 °C or higher.  
 (3) Over-load protection level  
 Over-load protective function will be activated when the effective current exceeds 115 % or more than the rated current based on the time characteristics (see the graph). Confirm that the effective current of the driver does not exceed the rated current.  
 Set up the peak permissible current with Pr0.13 (Setup of 1st torque limit) and Pr5.22 (Setup 2nd torque limit).

Overload protection time characteristics

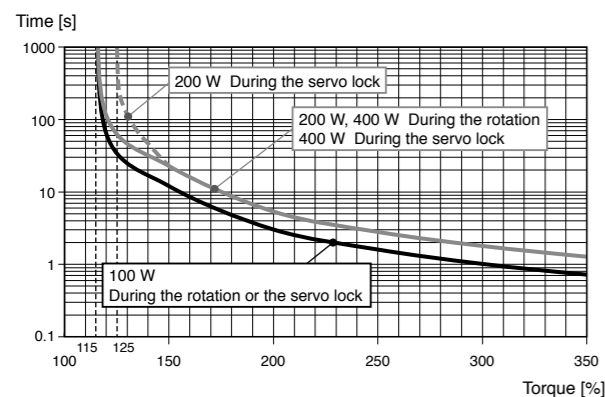
Motor type: 80 mm sq. or less MSMF



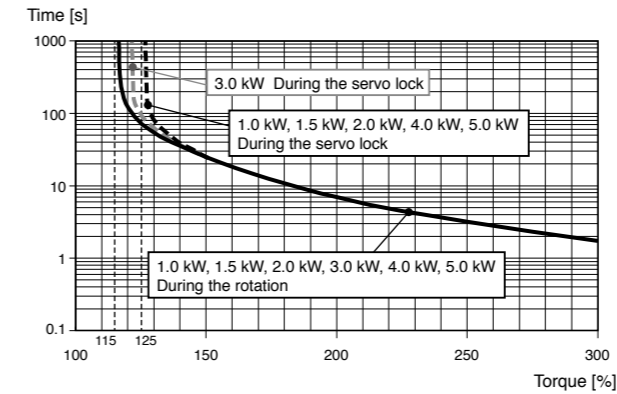
Motor type: 80 mm sq. or less MHMF



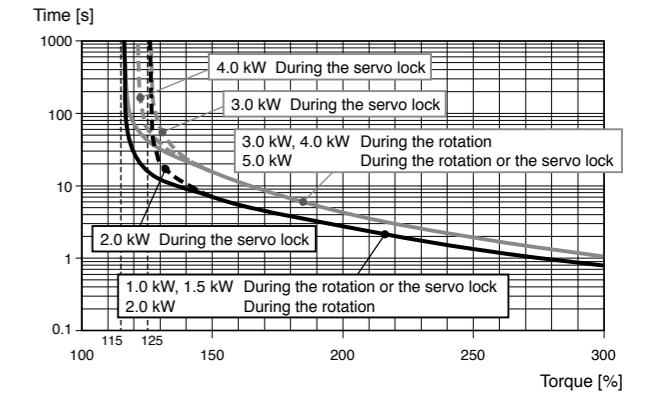
Motor type: 80 mm sq. or less MQMF



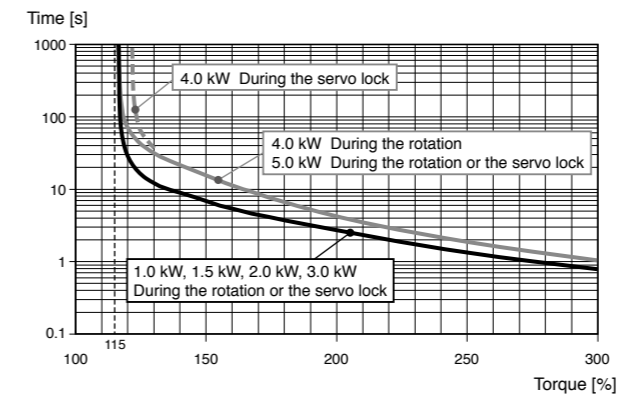
Motor type: 100 mm sq. or more MSMF



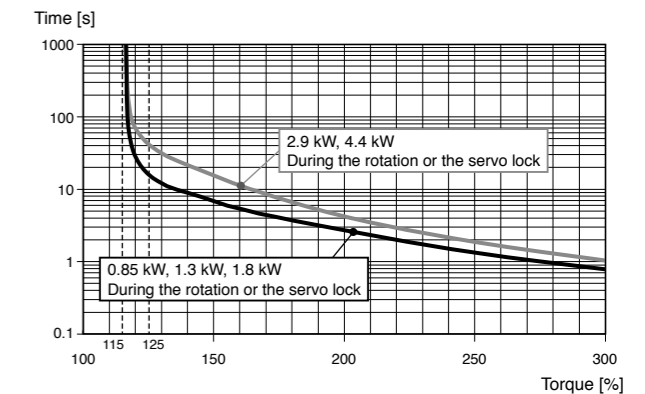
Motor type: 100 mm sq. or more MHMF



Motor type: 100 mm sq. or more MDMF



Motor type: 100 mm sq. or more MGMF



Conformed Standards

		Driver	Motor
EU Directives	EMC Directives	EN55011 EN61000-6-2 EN61000-6-4 EN61800-3	—
	Low-Voltage Directives	EN61800-5-1 EN50178	EN60034-1 EN60034-5
	Machinery Directives Functional safety <sup>*1</sup>	ISO13849-1(PL e, Cat.3) EN61508(SIL3) EN62061(SILCL 3) EN61800-5-2(SIL3, STO) IEC61326-3-1 IEC60240-1	—
UL Standards		UL508C (E164620)	UL1004-1, UL1004-6 (E327868)
CSA Standards		C22.2 No.14	C22.2 No.100-4
Radio Waves Act (South Korea) (KC) <sup>*2</sup>		KN11 KN61000-4-2,3,4,5,6,8,11	—

IEC : International Electrotechnical Commission  
 EN : Europaischen Normen  
 EMC : Electromagnetic Compatibility  
 UL : Underwriters Laboratories  
 CSA : Canadian Standards Association

Pursuant to the directive 2004/108/EC, article 9(2)  
 Panasonic Testing Centre  
 Panasonic Service Europe, a division of  
 Panasonic Marketing Europe GmbH  
 Winsbergring 15, 22525 Hamburg, F.R. Germany

● When export this product, follow statutory provisions of the destination country.

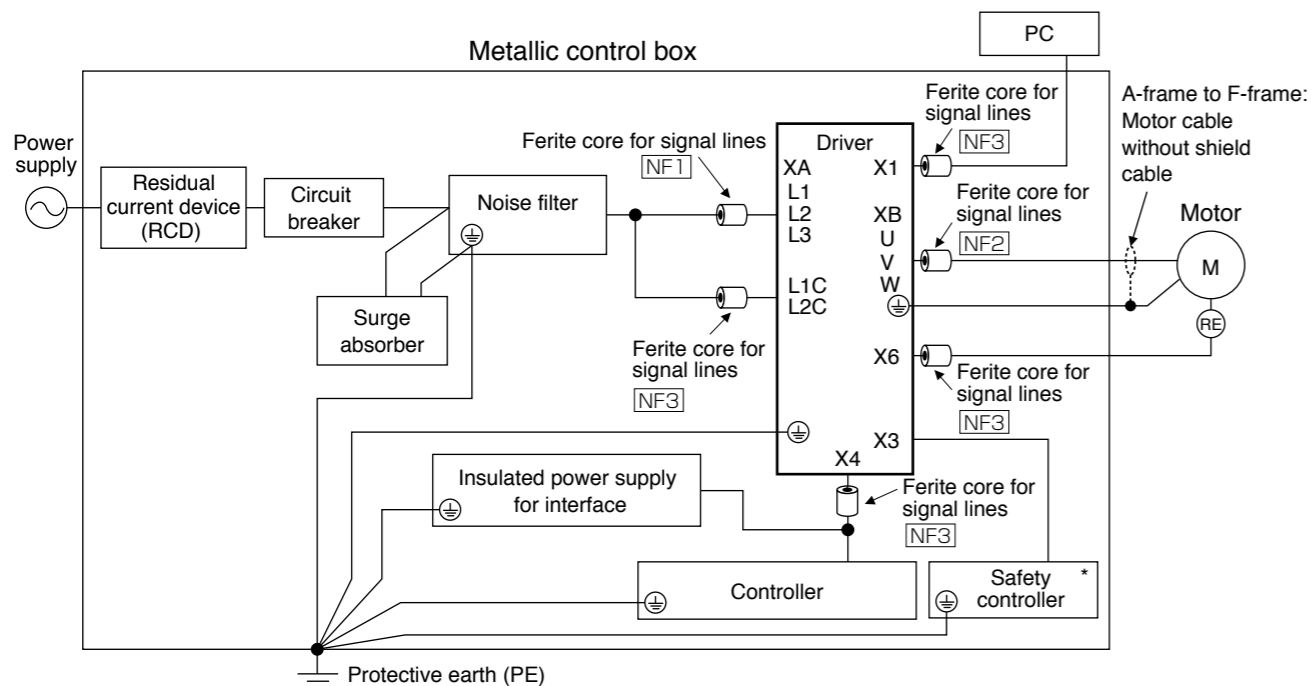
\*1 A6 SE, A6 SG series doesn't correspond to the functional safety standard.

\*2 Information related to the Korea Radio Law  
 This servo driver is a Class A commercial broadcasting radio wave generator not designed for home use. The user and dealer should be aware of this fact.

A 급 기기 (업무용 방송통신기자재)  
 이 기기는 업무용(A 급) 전자파적합기기로서 판매자 또는 사용자는 이 점을 주의하시기 바라며, 가정외의 지역에서 사용하는 것을 목적으로 합니다.  
 ( 대상기종 : Servo Driver )

Installation Environment

Use the servo driver in the environment of Pollution Degree 1 or 2 prescribed in IEC-60664-1 (e.g. Install the driver in control panel with IP54 protection structure.)



For [NF1] to [NF3], refer to the Table "Ferite core for Signal Line" (P.238).  
 \* A6 SE, A6 SG is not provided with X3 terminal.

<Caution>

Use options correctly after reading Operating Instructions of the options to better understand the precautions. Take care not to apply excessive stress to each optional part.

Power Supply

100 V type (A-frame to C-frame)	Single phase, 100 V $+10\%$ to $-15\%$	120 V $+10\%$ to $-15\%$	50 Hz/60 Hz
200 V type (A-frame to D-frame)	Single/3-phase, 200 V $+10\%$ to $-15\%$	240 V $+10\%$ to $-15\%$	50 Hz/60 Hz
200 V type (E-frame, F-frame)	3-phase, 200 V $+10\%$ to $-15\%$	240 V $+10\%$ to $-15\%$	50 Hz/60 Hz

- (1) This product is designed to be used in over-voltage category (installation category) III of EN 61800-5-1:2007.
- (2) Use an insulated power supply of DC12 V to 24 V which has CE marking or complies with EN60950.

Circuit Breaker

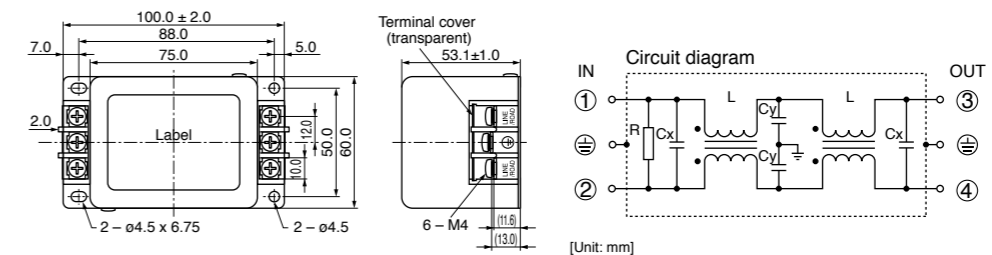
Install a circuit breaker which complies with IEC Standards and UL recognized (Listed and marked) between power supply and noise filter. The short-circuit protection circuit on the product is not for protection of branch circuit. The branch circuit should be protected in accordance with NEC and the applicable local regulations in your area.

Noise Filter

When you install one noise filter at the power supply for multi-axes application, contact the manufacturer of the noise filter. If noise margin is required, connect 2 filters in series to emphasize effectiveness.

• Options

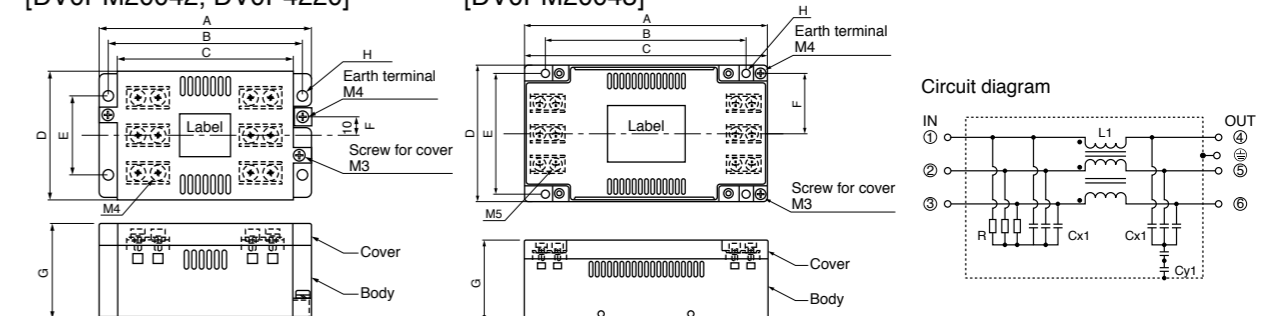
Option part No.	Voltage specifications for driver	Manufacturer's part No.	Applicable driver (frame)	Manufacturer
DV0P4170	Single phase 100 V, 200 V	SUP-EK5-ER-6	A-frame and B-frame	Okaya Electric Ind.



Option part No.	Voltage specifications for driver	Manufacturer's part No.	Applicable driver (frame)	Manufacturer
DV0PM20042	3-phase 200 V Single phase 100 V, 200 V 3-phase 200 V	3SUP-HU10-ER-6	A-frame and B-frame C-frame	Okaya Electric Ind.
DV0P4220	Single/3-phase 200 V	3SUP-HU30-ER-6	D-frame	
DV0PM20043	3-phase 200 V	3SUP-HU50-ER-6	E-frame	

[DV0PM20042, DV0P4220]

[DV0PM20043]

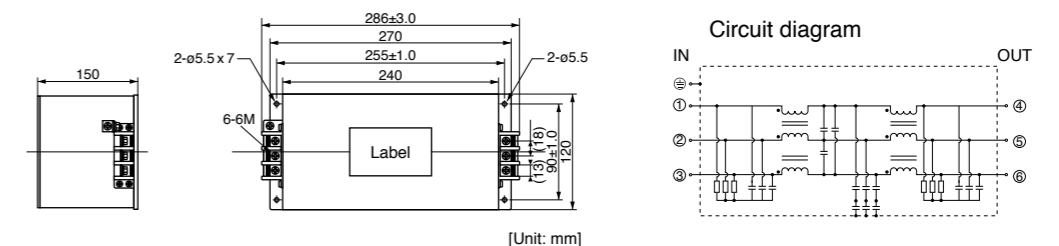


[Size] [Unit: mm]

	A	B	C	D	E	F	G	H
DV0PM20042	115	105	95	70	43	10	52	5.5
DV0P4220	145	135	125	70	50	10	52	5.5
DV0PM20043	165	136	165	90	80	40	54	5.5

For single phase application, use 2 terminals among 3 terminals, leaving the remaining terminal unconnected.

Option part No.	Voltage specifications for driver	Manufacturer's part No.	Applicable driver (frame)	Manufacturer
DV0P3410	3-phase 200 V	3SUP-HL50-ER-6B	F-frame	Okaya Electric Ind.



<Remarks>

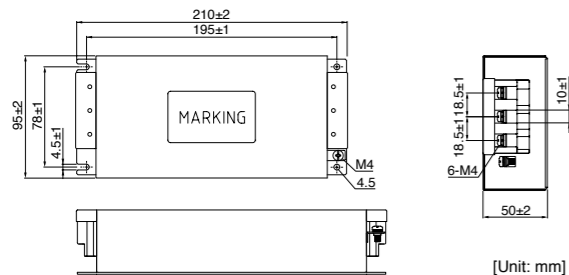
- Select a noise filter of capacity that exceeds the capacity of the power source (also check for load condition).
- For detailed specification of the filter, contact the manufacturer.



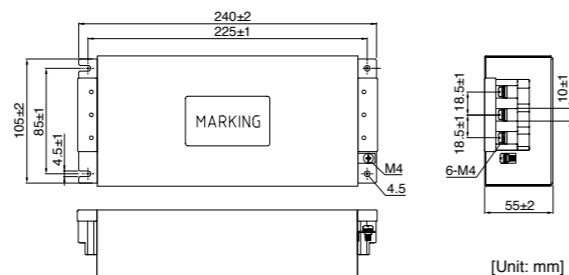
Recommended components

Part No.	Voltage specifications for driver	Current rating (A)	Applicable driver (frame)	Manufacturer
RTHN-5010	Single phase 100 V, 200 V 3-phase 200 V	10	A-frame to C-frame	TDK-Lambda Corp.
RTHN-5030		30	D-frame	
RTHN-5050		50	E-frame and F-frame	

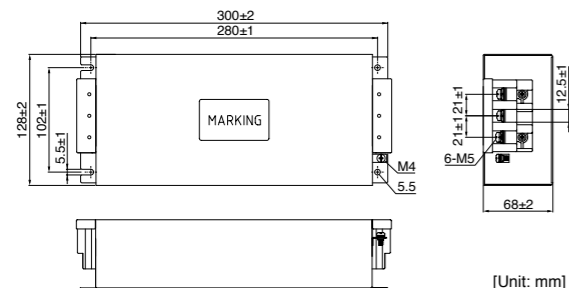
[RTHN-5010]



[RTHN-5030]



[RTHN-5050]



<Remarks>

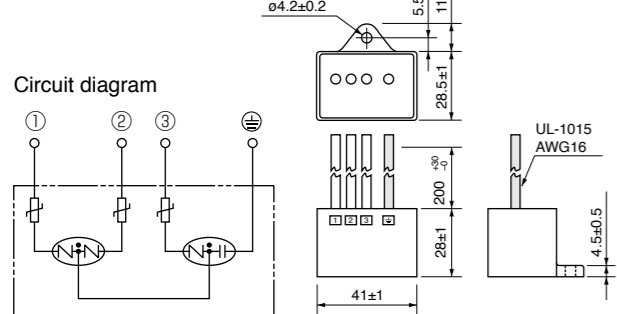
- Select a noise filter of capacity that exceeds the capacity of the power source (also check for load condition).
- For detailed specification of the filter, contact the manufacturer.
- When two or more servo drivers are used with a single noise filter at the common power source, consult with the noise filter manufacturer.

Surge Absorber

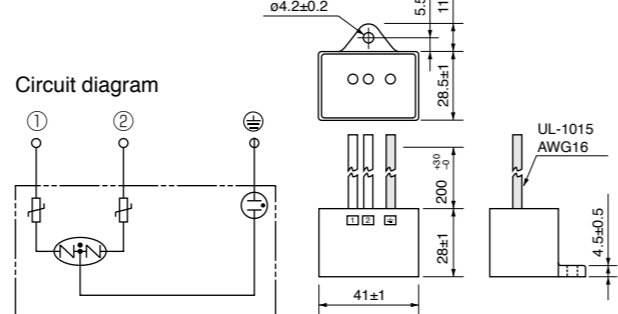
Provide a surge absorber for the primary side of noise filter.

Option part No.	Voltage specifications for driver	Manufacturer's part No.	Manufacturer
DV0P1450	3-phase 200 V	R · A · V-781BXZ-4	Okaya Electric Ind.
DV0P4190	Single phase 100 V, 200 V	R · A · V-781BWZ-4	

[DV0P1450]



[DV0P4190]



<Remarks>

Remove this surge absorber when you perform dielectric test on the machine, or surge absorber might be damaged.

Ferite core for Signal Lines

Install ferite core for signal lines to all cables (power cable, motor cable, encoder cable and interface cable)

Symbol <sup>*1</sup>	Cable Name	100 V/200 V Driver frame symbol	Option part No.	Manufacturer's part No.	Manufacturer	Qty.
NF1	Power cable	A, B, C, D	DV0P1460	ZCAT3035-1330	TDK Corp.	4
		E, F	Recommended components	RJ8035	KK-CORP.CO.JP	1
NF2	Motor cable	A, B, C, D, E, F	DV0P1460	ZCAT3035-1330	TDK Corp.	4
NF3	• 24 V Power cable • Encoder cable • Interface cable • USB cable • Control power cable	Common (to all frames)	DV0P1460	ZCAT3035-1330	TDK Corp.	4

\*1 For symbols, refer to the Block Diagram "Installation Environment" (P.235).

<Remarks>

To connect the ferite core to the connector XB connection cable, adjust the sheath length at the tip of the cable, as required.

<Caution>

Fix the signal line ferite core in order to prevent excessive stress to the cables.

Fig.1: DV0P1460 (Option)

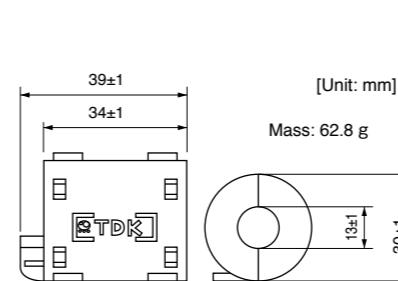


Fig.2: RJ8035, RJ8095 (Recommended components)

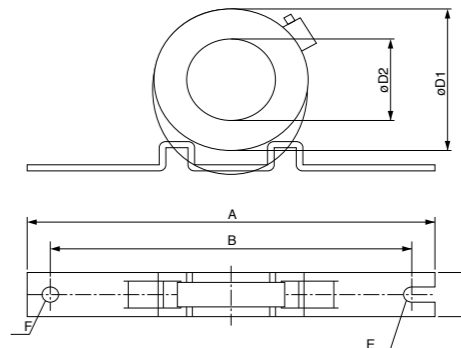
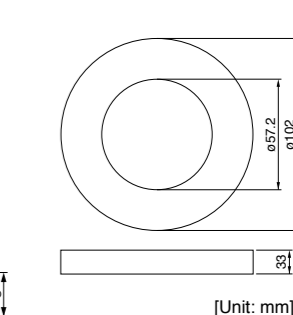


Fig.3: T400-61D (Recommended components)



<Fig.2: Dimensions>

Part No.	Current	100 kHz (μH)	Size [Unit: mm]							
			A	B	C	D1	D2	Core thickness	E	F
RJ8035	35 A	9.9±3	170	150	23	80	53	24	R3.5	7
RJ8095	95 A	7.9±3	200	180	34	130	107	35	R3.5	7

Residual Current Device

Install a type B Residual current device (RCD) at primary side of the power supply.  
Type B: Residual current device which detects a direct-current ingredient.

Grounding

- (1) Connect the protective earth terminal (⊕) of the driver and the protective earth terminal (PE) of the control box without fail to prevent electrical shocks.
- (2) Do not make a joint connection to the protective earth terminals (⊕). 2 terminals are provided for protective earth.

<Note>

For driver and applicable peripheral equipments, refer to P.21 "Driver and List of Applicable Peripheral Equipments".

## Compliance to EU and EMC Directives

### EU Directives

The EU Directives apply to all such electronic products as those having specific functions and have been exported to EU and directly sold to general consumers. Those products are required to conform to the EU unified standards and to furnish the CE marking on the products. MINAS AC Servos conforms to the EU Directives for Low Voltage Equipment so that the machine incorporating our servos has an easy access to the conformity to relevant EU Directives for the machine.

### EMC Directives

MINAS Servo System conform to relevant standard under EMC Directives setting up certain model (condition) with certain locating distance and wiring of the servo motor and the driver. And actual working condition often differs from this model condition especially in wiring and grounding. Therefore, in order for the machine to conform to the EMC Directives, especially for noise emission and noise terminal voltage, it is necessary to examine the machine incorporating our servos.

### Conformed Standards

Subject	Conformed Standard		
Motor	IEC60034-1	IEC60034-5 UL1004 CSA22.2 No.100	Conforms to Low-Voltage Directives
Motor and driver	EN50178	UL508C CSA22.2 No.14	Conforms to references by EMC Directives
	EN55011	Radio Disturbance Characteristics of Industrial, Scientific and Medical (ISM) Radio-Frequency Equipment	
	EN61000-6-2	Immunity for Industrial Environments	
	IEC61000-4-2	Electrostatic Discharge Immunity Test	
	IEC61000-4-3	Radio Frequency Electromagnetic Field Immunity Test	
	IEC61000-4-4	Electric High-Speed Transition Phenomenon/Burst Immunity Test	
	IEC61000-4-5	Lightening Surge Immunity Test	
	IEC61000-4-6	High Frequency Conduction Immunity Test	
IEC61000-4-11	Instantaneous Outage Immunity Test		

IEC : International Electrotechnical Commission  
EN : Europaischen Normen  
EMC: Electromagnetic Compatibility  
UL : Underwriters Laboratories  
CSA : Canadian Standards Association

Pursuant to at the directive 2004/108/EC, article 9(2)  
Panasonic Testing Centre  
Panasonic Service Europe,  
a division of Panasonic Marketing Europe GmbH  
Winsbergring 15,22525 Hamburg,F.R.Germany

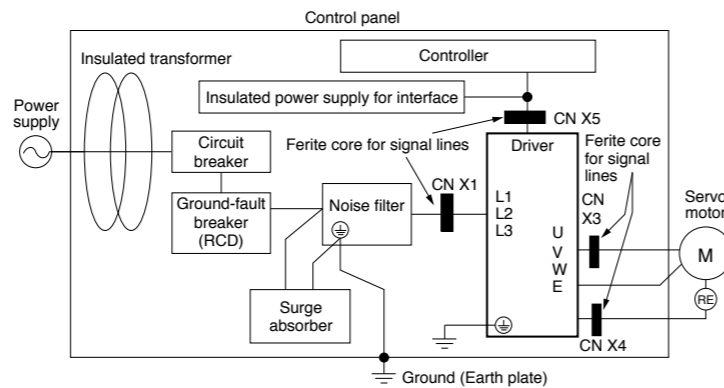
## Composition of Peripheral Components

### <Precautions in using options>

Use options correctly after reading operation manuals of the options to better understand the precautions. Take care not to apply excessive stress to each optional part.

### Installation Environment

Use Minas driver in environment of Pollution Degree 1 or 2 prescribed in IEC-60664-1 (e.g. Install the driver in control panel with IP54 protection structure.)




### Power Supply

100 V system	Single phase, 100 V	+10 % -15 %	to	115 V	+10 % -15 %	50 Hz/60 Hz
200 V system	Single phase, 200 V	+10 % -15 %	to	240 V	+10 % -15 %	50 Hz/60 Hz
200 V system	3-phase, 200 V	+10 % -15 %	to	240 V	+10 % -15 %	50 Hz/60 Hz

- (1) Use the power supply under an environment of Overvoltage Category II specified in IEC60664-1.
- (2) For a interface power supply, use the insulated one with 12 VDC to 24 VDC which conforms to CE Marking or EN Standards (EN60950).

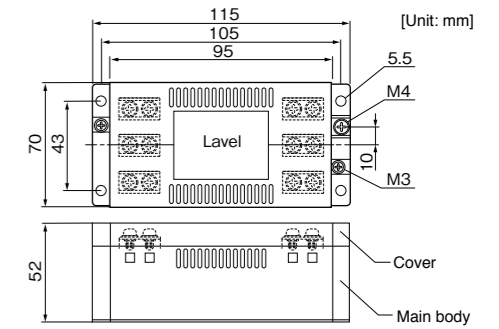
### Circuit Breaker

Connect a circuit breaker which conforms to IEC standards and is UL recognized (UL Listed, ) marked, between the power supply and the noise filter.

### Noise Filter

When you install one noise filter in the power supply for multi axis application, consult with the manufacture of the filter.

Option part No.	Part No.	Manufacturer
DV0P4160	3SUP-HU10-ER-6	Okaya Electric Industries Co.

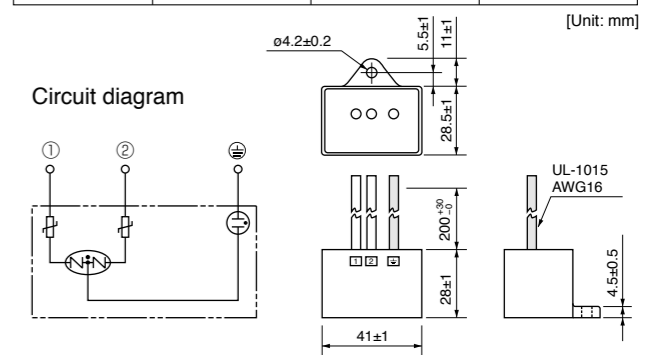
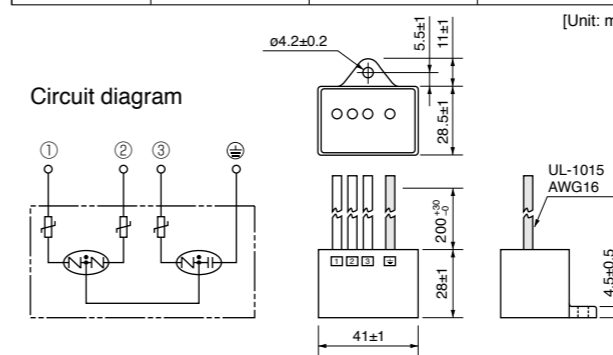


### Surge Absorber

Install a surge absorber at primary side of the noise filter.

Option part No.	Driver voltage spec	Part No.	Manufacturer
DV0P1450	3-phase, 200 V	R·A·V-781BXZ-4	Okaya Electric

Option part No.	Driver voltage spec	Part No.	Manufacturer
DV0P4190	Single phase, 100 V, 200 V	R·A·V-781BWZ-4	Okaya Electric



### <Remarks>

Remove this surge absorber when you perform dielectric test on the machine, or surge absorber might be damaged.

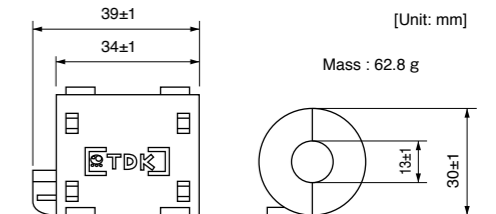
### Ferite core for Signal Lines

Install ferite core for signal lines to all cables (Power line, motor cable, encoder cable, interface cable)


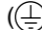
### <Caution>

- Please fix a line ferite core to avoid excessive stress to the cable.
  - When using multiple axes, noise generated from each driver might influence driver and peripheral equipment and result to malfunction.
- Please insert line ferite core between driver and motor wires (U, V, W but grounding).  
(Please refer to P.239 "Composition of Peripheral Components".)

Option part No.	Part No.	Qty.	Manufacturer
DV0P1460	ZCAT3035-1330	4	TDK Corp.



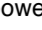
### Grounding

- (1) Connect the protective earth terminal of the driver () and protective earth terminal of the control panel (PE) without fail to prevent electrical shocks.
- (2) Do not co-clamp to the ground terminals (). Two ground terminals are provided.

### Ground-Fault Breaker

Install a ground fault circuit breaker (RCD) to the primary side of the power supply.  
Please use B-type (DC sensitive) ground fault circuit breakers defined in IEC60947-2, JISC8201-2-2.

## Conformity to UL Standards

- Observe the following conditions of (1) and (2) to make the system conform to UL508C (File No. E164620).
- (1) Use the driver in an environment of Pollution Degree 2 or 1 prescribed in IEC60664-1. (e.g. Install in the control box with IP54 enclosure.)
  - (2) Install a circuit breaker or fuse which are UL recognized (LISTED ) marked between the power supply and the noise filter without fail.

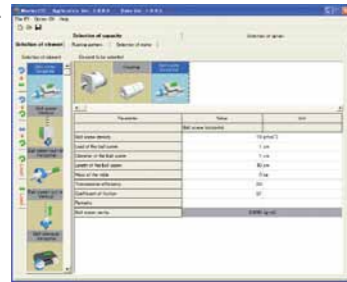
AC Servo Motor Capacity Selection Software

We have prepared PC software "M-SELECT" for AC servo motor capacity selection. Consult our sales representative or authorized distributor.

• Three-step selection

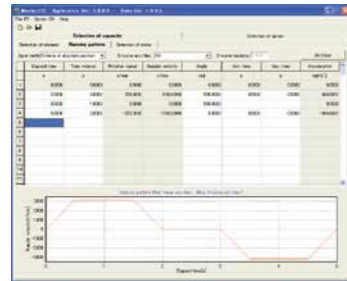
1. Select components and specified values

Select appropriate mechanical parameter items and fill them with parameter values derived from the real machine. To simulate the target machine as practical as possible, use maximum number of parameters available.



2. Enter operation pattern

Input the planned operation pattern that will contain [speed and rotation standard] or [absolute position standard] with optional settings such as S-acceleration/deceleration.



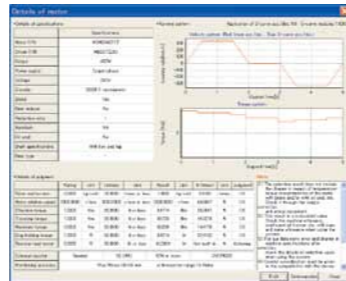
3. Select the motor

When the data required in step 1 and 2 above have been input, the software lists the motors, which will be appropriate to use with your machine. Select the motor that is best suitable for your machine application.



▶ Details of motor

Once the motor is selected, specifications of the motor and driver, and details of reason for determination are displayed and may be printed out.



Option Selection Software for AC Servo Motor

We have prepared PC software to enable fast, easy, and correct option selection, a complicated job without the software.

• Two procedures for option selection

1. Selection according to driver series and motor type

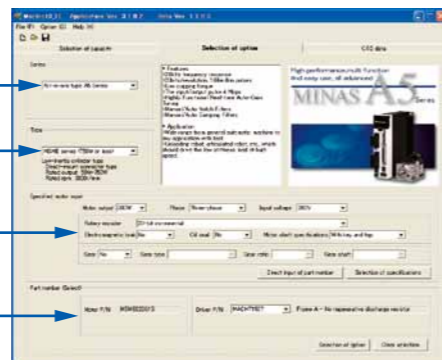
Suitable option can be selected by selecting driver series, motor type and motor specification through pulldown menu.

Driver series

Motor type

Motor specification

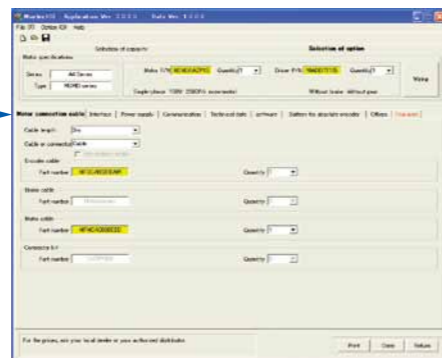
Model number input area



2. Entry of model number

If you know the model number based on the servo motor and driver currently used, enter the model number.

Tab



▶ Result of selection

Tab sheet specific to each of option model numbers is used for easier identification of the desired option.

\* When you are using the motor capacity selection software, simply press [Option Selection] tab and the screen as shown right will appear.

Please download from our web site and use after install to the PC. <http://industrial.panasonic.com/ww/products/motors-compressors/fa-motors>

Organization of the System of Units

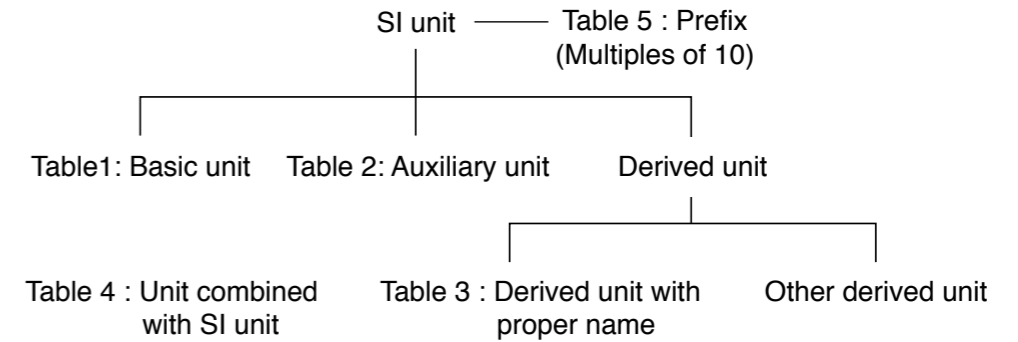


Table 1: Basic unit

Quantity	Name of unit	Symbol of unit
Length	meter	m
Weight	kilogram	kg
Time	second	s
Current	ampere	A
Thermodynamic temperature	kelvin	K
Amount of substance	mol	mol
Luminous intensity	candela	cd

Table 2: Auxiliary unit

Quantity	Name of unit	Symbol of unit
Plane angle	radian	rad
Solid angle	steradian	sr

Table 3: Major derived unit with proper name

Quantity	Name	Symbol of unit	Derivation from basic unit, auxiliary unit or other derived unit
Frequency	hertz	Hz	1 Hz = 1 s <sup>-1</sup>
Force	newton	N	1 N = 1 kg·m/s <sup>2</sup>
Pressure, Stress	pascal	Pa	1 Pa = 1 N/m <sup>2</sup>
Energy, Work, Amount of heat	joule	J	1 J = 1 N·m
Amount of work, Work efficiency, Power, Electric power	watt	W	1 W = 1 J/s
Electric charge, Amount of electricity	coulomb	C	1 C = 1 A·s
Electric potential, Potential difference, Voltage, Electromotive force	volt	V	1 V = 1 J/C
Electrostatic capacity, Capacitance	farad	F	1 F = 1 C/V
Electric resistance	ohm	Ω	1 Ω = 1 V/A
Electric conductance	siemens	S	1 S = 1 Ω <sup>-1</sup>
Magnetic flux	weber	Wb	1 Wb = 1 V·s
Magnetic flux density, Magnetic induction	tesla	T	1 T = 1 Wb/m <sup>2</sup>
Inductance	henry	H	1 H = 1 Wb/A
Degree centigrade (Celsius)	degree centigrade (Celsius) / degree	°C	t °C = (t+273.15) K
Luminous flux	lumen	lm	1 lm = 1 cd·sr
Illuminance	lux	lx	1 lx = 1 lm/m <sup>2</sup>

Table 4: Unit combined with SI unit

Quantity	Name	Symbol of unit
Time	minute	min
	hour	h
	day	d
Plane angle	degree	°
	minute	'
	second	"
Volume	liter	l, L
Weight	ton	t

Table 5: Prefix

Multiples powered to unit	Prefix	
	Name	Symbol
10 <sup>18</sup>	exa	E
10 <sup>15</sup>	peta	P
10 <sup>12</sup>	tera	T
10 <sup>9</sup>	giga	G
10 <sup>6</sup>	mega	M
10 <sup>3</sup>	kilo	k
10 <sup>2</sup>	hecto	h
10	deca	da
10 <sup>-1</sup>	deci	d
10 <sup>-2</sup>	centi	c
10 <sup>-3</sup>	milli	m
10 <sup>-6</sup>	micro	μ
10 <sup>-9</sup>	nano	n
10 <sup>-12</sup>	pico	p
10 <sup>-15</sup>	femto	f
10 <sup>-18</sup>	atto	a

Quantity	Symbol of conventional unit	Symbol of SI unit and compatible unit	Conversion value
Length	μ (micron)	μm	1 μ = 1 μm (micrometer)
Acceleration	Gal	m/s <sup>2</sup>	1 Gal = 10 <sup>-2</sup> m/s <sup>2</sup>
	G	m/s <sup>2</sup>	1 G = 9.80665 m/s <sup>2</sup>
Frequency	c/s, c	Hz	1 c/s = Hz
Revolving speed, Number of revolutions	rpm	s <sup>-1</sup> or min <sup>-1</sup> , r/min	1 rpm = 1 min <sup>-1</sup>
Weight	kgf	-	} Same value
Mass	-	kg	
Weight flow rate	kgf/s	-	} Same value
Mass flow rate	-	kg/s	
Specific weight	kgf/m <sup>3</sup>	-	} Same value
Density	-	kg/m <sup>3</sup>	
Specific volume	m <sup>3</sup> /kgf	m <sup>3</sup> /kg	Same value
Load	kgf	N	1 kgf = 9.80665 N
Force	kgf	N	1 kgf = 9.80665 N
	dyn	N	1 dyn = 10 <sup>-5</sup> N
Moment of force	kgf·m	N·m	1 kgf·m = 9.806 N·m
Pressure	kgf/cm <sup>2</sup>	Pa, bar <sup>(1)</sup> or kgf/cm <sup>2</sup>	1 kgf/cm <sup>2</sup> = 9.80665 × 10 <sup>4</sup> Pa = 0.980665 bar
	at (Engineering atmospheric pressure)	Pa	1 at = 9.80665 × 10 <sup>4</sup> Pa
	atm (Atmospheric pressure)	Pa	1 atm = 1.01325 × 10 <sup>5</sup> Pa
	mH <sub>2</sub> O, mAq	Pa	1 mH <sub>2</sub> O = 9.80665 × 10 <sup>3</sup> Pa
	mmHg	Pa or mmHg <sup>(2)</sup>	1 mmHg = 133.322 Pa
	Torr	Pa	
Stress	kgf/mm <sup>2</sup>	Pa or N/m <sup>2</sup>	1 kgf/mm <sup>2</sup> = 9.80665 × 10 <sup>6</sup> Pa = 9.80665 × 10 <sup>6</sup> N/m <sup>2</sup>
	kgf/cm <sup>2</sup>	Pa or N/m <sup>2</sup>	1 kgf/cm <sup>2</sup> = 9.80665 × 10 <sup>4</sup> Pa = 9.80665 × 10 <sup>4</sup> N/m <sup>2</sup>
Elastic modulus	kgf/m <sup>2</sup>	Pa or N/m <sup>2</sup>	1 kgf/m <sup>2</sup> = 9.80665 Pa = 9.80665 N/m <sup>2</sup> 1 kgf/cm <sup>2</sup> = 9.80665 × 10 <sup>4</sup> N/m <sup>2</sup>
Energy, Work	kgf·m	J (joule)	1 kgf·m = 9.80665 J
	erg	J	1 erg = 10 <sup>-7</sup> J
Work efficiency, Power	kgf·m/s	W (watt)	1 kgf·m/s = 9.80665 W
	PS	W	1 PS = 0.7355 kW
Viscosity	PP	Pa·s	1 P = 0.1 Pa·s
Kinetic viscosity	St	mm <sup>2</sup> /s	10 <sup>-2</sup> St = 1 mm <sup>2</sup> /s
Thermodynamic temperature	K	K (kelvin)	1 K = 1 K
Temperature interval	deg	K <sup>(3)</sup>	1 deg = 1 K
Amount of heat	cal	J	1 cal = 4.18605 J
Heat capacity	cal/°C	J/K <sup>(3)</sup>	1 cal/°C = 4.18605 J/K
Specific heat, Specific heat capacity	cal/(kgf·°C)	cal/(kgf·K) <sup>(3)</sup>	1 cal/(kgf·°C) = 4.18605 J/(kg·K)
Entropy	cal/K	J/K	1 cal/K = 4.18605 J/K
Specific entropy	cal/(kgf·K)	J/(kg·K)	1 cal/(kgf·K) = 4.18605 J/(kg·K)
Internal energy (Enthalpy)	cal	J	1 cal = 4.18605 J
Specific internal energy (Specific enthalpy)	cal/kgf	J/kg	1 cal/kgf = 4.18605 J/kg
Heat flux	cal/h	W	1 kcal/h = 1.16279 W
Heat flux density	cal/(h·m <sup>2</sup> )	W/m <sup>2</sup>	1 kcal/(h·m <sup>2</sup> ) = 1.16279 W/m <sup>2</sup>
Thermal conductivity	cal/(h·m·°C)	W/(m·K) <sup>(3)</sup>	1 kcal/(h·m·°C) = 1.16279 W/(m·K)
Coefficient of thermal conductivity	cal/(h·m <sup>2</sup> ·°C)	W/(m <sup>2</sup> ·K) <sup>(3)</sup>	1 kcal/(h·m <sup>2</sup> ·°C) = 1.16279 W/(m <sup>2</sup> ·K)
Intensity of magnetic field	Oe	A/m	1 Oe = 10 <sup>3</sup> / (4π) A/m
Magnetic flux	Mx	Wb (weber)	1 Mx = 10 <sup>-8</sup> Wb
Magnetic flux density	Gs, G	T (tesla)	1 Gs = 10 <sup>-4</sup> T

**Note**  
 (1) Applicable to liquid pressure. Also applicable to atmospheric pressure of meteorological data, when "bar" is used in international standard.  
 (2) Applicable to scale or indication of blood pressure manometers.  
 (3) "C" can be substituted for "K".

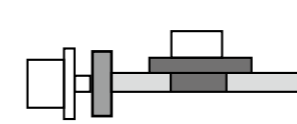
Flow of Motor Selection

1. Definition of mechanism to be driven by motor.

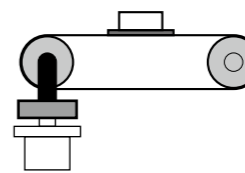
Define details of individual mechanical components (ball screw length, lead and pulley diameters, etc.)

<Typical mechanism>

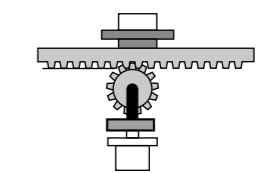
Ball screw mechanism



Belt mechanism

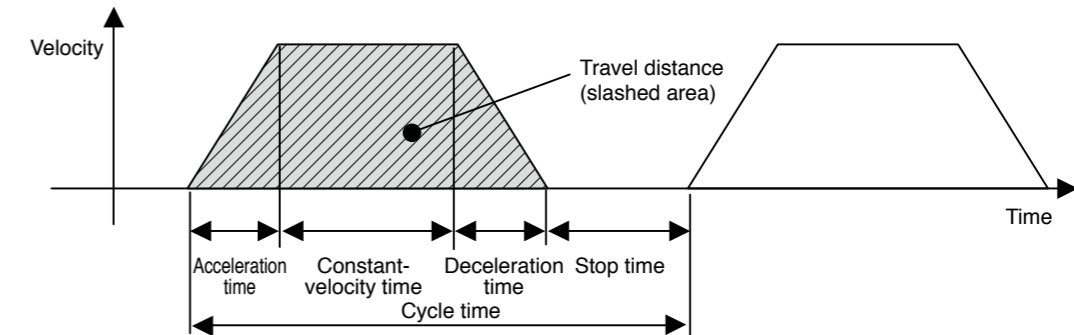


Rack & pinion, etc.



2. Definition of operating pattern.

Acceleration/deceleration time, Constant-velocity time, Stop time, Cycle time, Travel distance



Note) Selection of motor capacity significantly varies depending on the operating pattern. The motor capacity can be reduced if the acceleration/deceleration time and stop time are set as long as possible.

3. Calculation of load inertia and inertia ratio.

Calculate load inertia for each mechanical component. (Refer to "General inertia calculation method" described later.)

Divide the calculated load inertia by the inertia of the selected motor to check the inertia ratio. For calculation of the inertia ratio, note that the catalog value of the motor inertia is expressed as "x 10<sup>-4</sup> kg·m<sup>2</sup>".

4. Calculation of motor velocity

Calculate the motor velocity from the moving distance, acceleration / deceleration time and constant-velocity time.

5. Calculation of torque

Calculate the required motor torque from the load inertia, acceleration/deceleration time and constant-velocity time.

6. Calculation of motor

Select a motor that meets the above 3 to 5 requirements.

Description on the Items Related to Motor Selection

1. Torque

(1) Peak torque

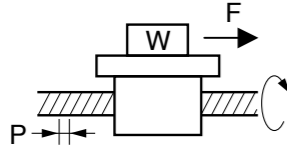
Indicate the maximum torque that the motor requires during operation (mainly in acceleration and deceleration steps). The reference value is 80% or less of the maximum motor torque. If the torque is a negative value, a regenerative discharge resistor may be required.

(2) Traveling torque, Stop holding torque

Indicates the torque that the motor requires for a long time. The reference value is 80% or less of the rated motor torque. If the torque is a negative value, a regenerative discharge resistor may be required.

Traveling torque calculation formula for each mechanism

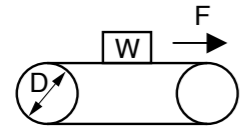
**Ball screw mechanism**



Traveling torque  $T_f = \frac{P}{2\pi\eta} (\mu gW + F)$

W : Weight [kg]       $\eta$  : Mechanical efficiency  
 P : Lead [m]       $\mu$  : Coefficient of friction  
 F : External force [N]      g : Acceleration of gravity 9.8[m/s<sup>2</sup>]

**Belt mechanism**



Traveling torque  $T_f = \frac{D}{2\pi\eta} (\mu gW + F)$

W : Weight [kg]       $\eta$  : Mechanical efficiency  
 P : Pulley diameter [m]       $\mu$  : Coefficient of friction  
 F : External force [N]      g : Acceleration of gravity 9.8[m/s<sup>2</sup>]

(3) Effective torque

Indicates a root-mean-square value of the total torque required for running and stopping the motor per unit time. The reference value is approx. 80% or less of the rated motor torque.

$$T_{rms} = \sqrt{\frac{T_a^2 \times t_a + T_f^2 \times t_b + T_d^2 \times t_d}{t_c}}$$

- T<sub>a</sub> : Acceleration torque [N·m]      t<sub>a</sub> : Acceleration time [s]      t<sub>c</sub> : Cycle time [s]
- T<sub>f</sub> : Traveling torque [N·m]      t<sub>b</sub> : Constant-velocity time [s]      (Run time + Stop time)
- T<sub>d</sub> : Deceleration torque [N·m]      t<sub>d</sub> : Deceleration time [s]

2. Motor velocity

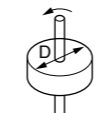
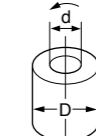
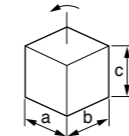
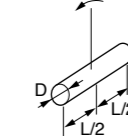
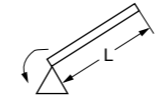
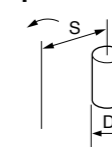
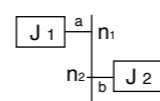
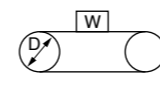
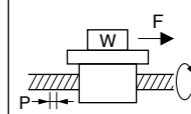
Maximum velocity

Maximum velocity of motor in operation: The reference value is the rated velocity or lower value. When the motor runs at the maximum velocity, you must pay attention to the motor torque and temperature rise. For actual calculation of motor velocity, see "Example of motor selection" described later.

3. Inertia and inertia ratio

Inertia is like the force to retain the current moving condition. Inertia ratio is calculated by dividing load inertia by rotor inertia. Generally, for motors with 750 W or lower capacity, the inertia ratio should be "20" or less. For motors with 1000 W or higher capacity, the inertia ratio should be "10" or less. If you need quicker response, a lower inertia ratio is required. (For example, when the motor takes several seconds in acceleration step, the inertia ratio can be further increased.)

General inertia calculation method

Shape	J calculation formula	Shape	J calculation formula
<b>Disk</b> 	$J = \frac{1}{8} WD^2$ [kg·m <sup>2</sup> ] W : Weight [kg] D : Outer diameter [m]	<b>Hollow cylinder</b> 	$J = \frac{1}{8} W(D^2 + d^2)$ [kg·m <sup>2</sup> ] W : Weight [kg] D : Outer diameter [m] d : Inner diameter [m]
<b>Prism</b> 	$J = \frac{1}{12} W(a^2 + b^2)$ [kg·m <sup>2</sup> ] W : Weight [kg] a, b, c : Side length [m]	<b>Uniform rod</b> 	$J = \frac{1}{48} W(3D^2 + 4L^2)$ [kg·m <sup>2</sup> ] W : Weight [kg] D : Outer diameter [m] L : Length [m]
<b>Straight rod</b> 	$J = \frac{1}{3} WL^2$ [kg·m <sup>2</sup> ] W : Weight [kg] L : Length [m]	<b>Separated rod</b> 	$J = \frac{1}{8} WD^2 + WS^2$ [kg·m <sup>2</sup> ] W : Weight [kg] D : Outer diameter [m] S : Distance [m]
<b>Reduction gear</b> 	Inertia on shaft "a" $J = J_1 + \left(\frac{n_2}{n_1}\right)^2 J_2$ [kg·m <sup>2</sup> ] n <sub>1</sub> : A rotational speed of a shaft [r/min] n <sub>2</sub> : A rotational speed of b shaft [r/min]		
<b>Conveyor</b> 	$J = \frac{1}{4} WD^2$ [kg·m <sup>2</sup> ] W : Workpiece weight on conveyor [kg] D : Drum diameter [m] * Excluding drum J	<b>Ball screw</b> 	$J = J_B + \frac{W \cdot P^2}{4\pi^2}$ [kg·m <sup>2</sup> ] W : Weight [kg] P : Lead J <sub>B</sub> : J of ball screw

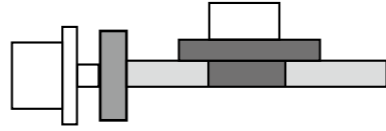
If weight (W [kg]) is unknown, calculate it with the following formula:

Weight W[kg]=Density ρ [kg/m<sup>3</sup>] x Volume V[m<sup>3</sup>]  
 Density of each material  
 Iron ρ =7.9 x 10<sup>3</sup> [kg/m<sup>3</sup>]      Aluminum ρ =2.8 x 10<sup>3</sup> [kg/m<sup>3</sup>]  
 Brass ρ =8.5 x 10<sup>3</sup> [kg/m<sup>3</sup>]

To Drive Ball Screw Mechanism

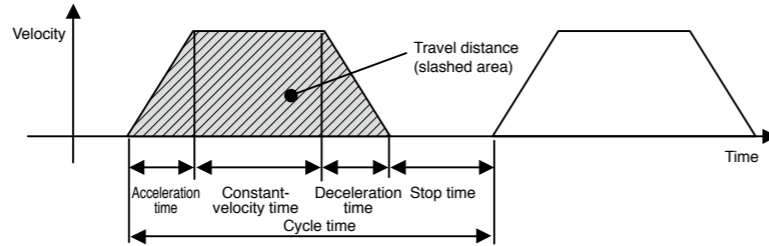
1. Example of motor selection for driving ball screw mechanism

- Workpiece weight WA = 10 [kg]
- Ball screw length BL = 0.5 [m]
- Ball screw diameter BD = 0.02 [m]
- Ball screw lead BP = 0.02 [m]
- Ball screw efficiency Bη = 0.9
- Travel distance 0.3[m]
- Coupling inertia Jc = 10 × 10<sup>-6</sup> [kg·m<sup>2</sup>] (Use manufacturer-specified catalog value, or calculation value.)



2. Running pattern :

- Acceleration time ta = 0.1 [s]
- Constant-velocity time tb = 0.8 [s]
- Deceleration time td = 0.1 [s]
- Cycle time tc = 2 [s]
- Travel distance 0.3[m]



3. Ball screw weight

$$BW = \rho \times \pi \times \left(\frac{BD}{2}\right)^2 \times BL = 7.9 \times 10^3 \times \pi \times \left(\frac{0.02}{2}\right)^2 \times 0.5 = 1.24 \text{ [kg]}$$

4. Load inertia

$$JL = Jc + JB = Jc + \frac{1}{8}BW \times BD^2 + \frac{WA \cdot BP^2}{4\pi^2} = 0.00001 + (1.24 \times 0.02^2) / 8 + 10 \times 0.02^2 / 4\pi^2 = 1.73 \times 10^{-4} \text{ [kg}\cdot\text{m}^2\text{]}$$

5. Provisional motor selection

In case of MSMF 200 W motor : JM = 0.14 × 10<sup>-4</sup> [kg·m<sup>2</sup>]

6. Calculation of inertia ratio

JL / JM = 1.73 × 10<sup>-4</sup> / 0.14 × 10<sup>-4</sup> Therefore, the inertia ratio is "12.3" (less than "30")  
(In case of MSMF 100 W motor: JM = 0.048 × 10<sup>-4</sup> Therefore, the inertia ratio is "36.0".)

7. Calculation of maximum velocity (Vmax)

$$\frac{1}{2} \times \text{Acceleration time} \times V_{\text{max}} + \text{Constant-velocity time} \times V_{\text{max}} + \frac{1}{2} \times \text{Deceleration time} \times V_{\text{max}} = \text{Travel distance}$$

$$\frac{1}{2} \times 0.1 \times V_{\text{max}} + 0.8 \times V_{\text{max}} + \frac{1}{2} \times 0.1 \times V_{\text{max}} = 0.3$$

$$0.9 \times V_{\text{max}} = 0.3$$

$$V_{\text{max}} = 0.3 / 0.9 = 0.334 \text{ [m/s]}$$

8. Calculation of motor velocity (N [r/min]) Ball screw lead per resolution: BP = 0.02 [m]

$$N = 0.334 / 0.02 = 16.7 \text{ [r/s]}$$

$$= 16.7 \times 60 = 1002 \text{ [r/min]} < 3000 \text{ [r/min]} \text{ (Rated velocity of MSMF 200 W motor)}$$

9. Calculation of torque

$$\text{Traveling torque } T_f = \frac{BP}{2\pi B\eta} (\mu g WA + F) = \frac{0.02}{2\pi \times 0.9} (0.1 \times 9.8 \times 10 + 0) = 0.035 \text{ [N}\cdot\text{m]}$$

$$\text{Acceleration torque } T_a = \frac{(JL + JM) \times 2\pi N \text{ [r/s]}}{\text{Acceleration time [s]}} + \text{Traveling torque}$$

$$= \frac{(1.73 \times 10^{-4} + 0.14 \times 10^{-4}) \times 2\pi \times 16.7}{0.1} + 0.035 = 0.196 + 0.035 = 0.231 \text{ [N}\cdot\text{m]}$$

$$\text{Deceleration torque } T_d = \frac{(JL + JM) \times 2\pi N \text{ [r/s]}}{\text{Deceleration time [s]}} - \text{Traveling torque}$$

$$= \frac{(1.73 \times 10^{-4} + 0.14 \times 10^{-4}) \times 2\pi \times 16.7}{0.1} - 0.035 = 0.196 - 0.035 = 0.161 \text{ [N}\cdot\text{m]}$$

10. Verification of maximum torque

Acceleration torque = Ta = 0.231 [N·m] < 1.91 [N·m] (Maximum torque of MSMF 200 W motor)

11. Verification of effective torque

$$T_{\text{rms}} = \sqrt{\frac{T_a^2 \times t_a + T_f^2 \times t_b + T_d^2 \times t_d}{t_c}}$$

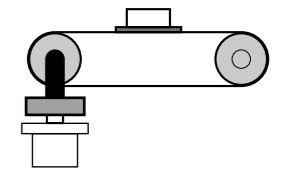
$$= \sqrt{\frac{0.231^2 \times 0.1 + 0.035^2 \times 0.8 + 0.161^2 \times 0.1}{2}} = 0.067 \text{ [N}\cdot\text{m]} < 0.64 \text{ [N}\cdot\text{m]} \text{ (Rated torque of MSMF 200 W motor)}$$

12. Judging from the inertia ratio calculated above, selection of 200 W motor is preferable, although the torque margin is significantly large.

Example of Motor Selection

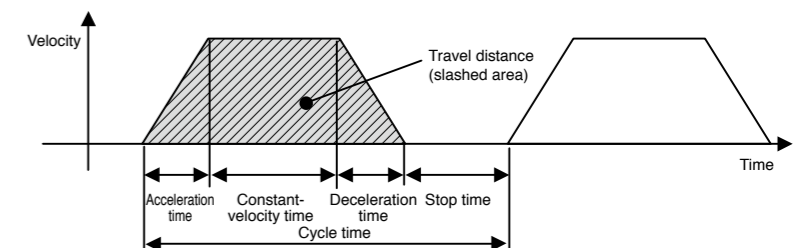
Example of motor selection for timing belt mechanism

- 1. Mechanism Workpiece weight WA = 2[kg] (including belt)
- Pulley diameter PD = 0.05[m]
- Pulley weight WP = 0.5[kg] (Use manufacturer-specified catalog value, or calculation value.)
- Mechanical efficiency Bη = 0.8
- Coupling inertia Jc = 0 (Direct connection to motor shaft)
- Belt mechanism inertia JB
- Pulley inertia JP



2. Running pattern

- Acceleration time ta = 0.1[s]
- Constant-velocity time tb = 0.8[s]
- Deceleration time td = 0.1[s]
- Cycle time tc = 2[s]
- Travel distance 1[m]



3. Load inertia JL = Jc + JB + JP

$$= Jc + \frac{1}{4}WA \times PD^2 + \frac{1}{8}WP \times PD^2 \times 2$$

$$= 0 + \frac{1}{4} \times 2 \times 0.05^2 + \frac{1}{8} \times 0.5 \times 0.05^2 \times 2 = 0.00156 = 15.6 \times 10^{-4} \text{ [kg}\cdot\text{m}^2\text{]}$$

4. Provisional motor selection

In case of MSMF 750 W motor : JM = 0.96 × 10<sup>-4</sup> [kg·m<sup>2</sup>]

5. Calculation of inertia ratio

JL / JM = 15.6 × 10<sup>-4</sup> / 0.96 × 10<sup>-4</sup> Therefore, the inertia ratio is "16.3" (less than "20")

**6. Calculation of maximum velocity (Vmax)**

$$\frac{1}{2} \times \text{Acceleration time} \times V_{\max} + \text{Constant-velocity time} \times V_{\max} + \frac{1}{2} \times \text{Deceleration time} \times V_{\max} = \text{Travel distance}$$

$$\frac{1}{2} \times 0.1 \times V_{\max} + 0.8 \times V_{\max} + \frac{1}{2} \times 0.1 \times V_{\max} = 1$$

$$0.9 \times V_{\max} = 1$$

$$V_{\max} = 1 / 0.9 = 1.111 [\text{m/s}]$$

**7. Calculation of motor velocity (N [r/min])**

A single rotation of pulley :  $\pi \times PD = 0.157 [\text{m}]$

$$N = 1.111 / 0.157 = 7.08 [\text{r/s}]$$

$$= 7.08 \times 60 = 424.8 [\text{r/min}] < 3000 [\text{r/min}] \text{ (Rated velocity of MSMF 750 W motor)}$$

**8. Calculation of torque**

Traveling torque  $T_f = \frac{PD}{2\eta} (\mu g W_A + F) = \frac{0.05}{2 \times 0.8} (0.1 \times 9.8 \times 3 + 0) = 0.061 [\text{N}\cdot\text{m}]$

Acceleration torque  $T_a = \frac{(J_L + J_M) \times 2\pi N [\text{r/s}]}{\text{Acceleration time} [\text{s}]} + \text{Traveling torque}$   
 $= \frac{(15.6 \times 10^{-4} + 0.87 \times 10^{-4}) \times 2\pi \times 7.08}{0.1} + 0.061 = 0.751 + 0.061 = 0.812 [\text{N}\cdot\text{m}]$

Deceleration torque  $T_d = \frac{(J_L + J_M) \times 2\pi N [\text{r/s}]}{\text{Deceleration time} [\text{s}]} - \text{Traveling torque}$   
 $= \frac{(15.6 \times 10^{-4} + 0.87 \times 10^{-4}) \times 2\pi \times 7.08}{0.1} - 0.061 = 0.751 - 0.061 = 0.69 [\text{N}\cdot\text{m}]$

**9. Verification of maximum torque**

Acceleration torque  $T_a = 0.812 [\text{N}\cdot\text{m}] < 7.1 [\text{N}\cdot\text{m}]$  (Maximum torque of MSMF 750 W motor)

**10. Verification of effective torque**

$$T_{\text{rms}} = \sqrt{\frac{T_a^2 \times t_a + T_f^2 \times t_b + T_d^2 \times t_d}{t_c}}$$

$$= \sqrt{\frac{0.812^2 \times 0.1 + 0.061^2 \times 0.8 + 0.69^2 \times 0.1}{2}}$$

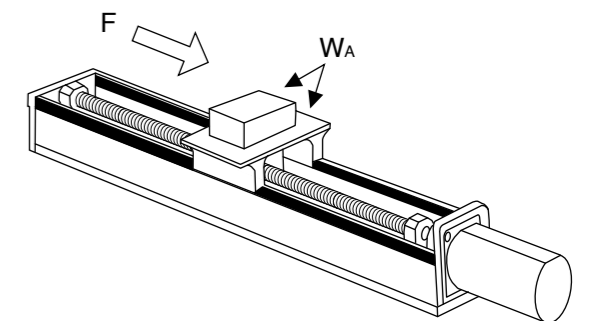
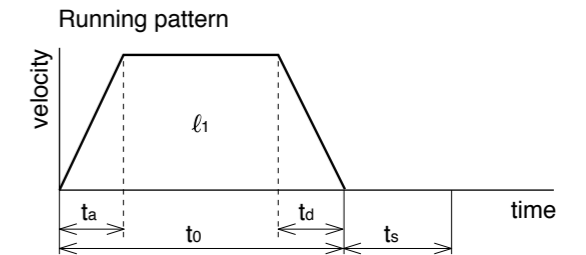
$$= 0.241 [\text{N}\cdot\text{m}] < 2.4 [\text{N}\cdot\text{m}] \text{ (Rated torque of MSMF 750 W motor)}$$

**11. Judging from the above calculation result, selection of MSMF 750W motor is acceptable.**

Request for motor selection I : Ball screw drive

**1. Driven mechanism and running data**

- 1) Travel distance of the work load per one cycle  mm
- 2) Cycle time  s  
(Fill in items 3) and 4) if required.)
- 3) Acceleration time  s
- 4) Deceleration time  s
- 5) Stopping time  s
- 6) Max. velocity  mm/s
- 7) External force  N
- 8) Positioning accuracy of the work load  mm
- 9) Total weight of the work load and the table  kg
- 10) Power supply voltage
- 11) Diameter of the ball screw
- 12) Total length of the ball
- 13) Lead of the ball screw



14) Traveling direction (horizontal, vertical etc.)

**2. Other data** (Fill the details on specific mechanism and its configurations in the following blank.)

Company name : \_\_\_\_\_

Department/Section : \_\_\_\_\_

Name : \_\_\_\_\_

Address : \_\_\_\_\_

Tel : \_\_\_\_\_

Fax : \_\_\_\_\_

E-mail address: \_\_\_\_\_

# Request Sheet for Motor Selection

## Request for motor selection II : Timing pulley + Ball screw drive

### 1. Driven mechanism and running data

1) Travel distance of the work load per one cycle	$l_1$ : mm	15) Diameter of the pulley	Motor side $D_1$ : mm	Ball screw side $D_2$ : mm
2) Cycle time	$t_o$ : s	16) Weight of the pulley	$W_1$ : kg	$W_2$ : kg
(Fill in items 3) and 4) if required.)		(or item 17) and 18))		
3) Acceleration time	$t_a$ : s	17) Width of the pulley	$L_1$ : mm	
4) Deceleration time	$t_d$ : s	18) Material of the pulley		
5) Stopping time	$t_s$ : s	19) Weight of the belt	$W_M$ : kg	
6) Max. velocity	$V$ : mm/s			
7) External force	$F$ : N			
8) Positioning accuracy of the work load	$\pm$ mm			
9) Total weight of the work load and the table	$W_A$ : kg			
10) Power supply voltage	V			
11) Diameter of the ball screw	mm			
12) Total length of the ball screw	mm			
13) Lead of the ball screw	mm			
14) Traveling direction (horizontal, vertical etc.)				

### 2. Other data (Fill the details on specific mechanism and its configurations in the following blank.)

Company name :
Department/Section :
Name :
Address :
Tel :
Fax :
E-mail address:

# Request Sheet for Motor Selection

## Request for motor selection III : Belt drive

### 1. Driven mechanism and running data

1) Travel distance of the work load per one cycle	$l_1$ : mm		
2) Cycle time	$t_o$ : s		
(Fill in items 3) and 4) if required.)			
3) Acceleration time	$t_a$ : s		
4) Deceleration time	$t_d$ : s		
5) Stopping time	$t_s$ : s		
6) Max. velocity	$V$ : mm/s		
7) External force	$F$ : N		
8) Positioning accuracy of the work load	$\pm$ mm	(or item 14) and 15))	
9) Total weight of the work load	$W_A$ : kg		
10) Power supply voltage	V		
11) Weight of the belt	$W_M$ : kg		
12) Diameter of the driving pulley	$D_1$ : mm	14) Width of the pulley	$L_1$ : mm
13) Total weight of the pulley	$W_1$ : kg	15) Material of the pulley	
		16) Traveling direction (horizontal, vertical etc.)	

### 2. Other data (Fill the details on specific mechanism and its configurations in the following blank.)

Company name :
Department/Section :
Name :
Address :
Tel :
Fax :
E-mail address:



# Request Sheet for Motor Selection

## Request for motor selection IV : Timing pulley + Belt drive

### 1. Driven mechanism and running data

1) Travel distance of the work load per one cycle

2) Cycle time

(Fill in items 3) and 4) if required.)

3) Acceleration time

4) Deceleration time

5) Stopping time

6) Max. velocity

7) External force

8) Positioning accuracy of the work load

9) Total weight of the work load

10) Power supply voltage

11) Weight of motor side belt

	Motor side	Belt side
12) Diameter of the pulley	<input type="text" value="D&lt;sub&gt;1&lt;/sub&gt;:"/> mm	<input type="text" value="D&lt;sub&gt;2&lt;/sub&gt;:"/> mm
13) Weight of the pulley	<input type="text" value="W&lt;sub&gt;1&lt;/sub&gt;:"/> kg	<input type="text" value="W&lt;sub&gt;2&lt;/sub&gt;:"/> kg

	Motor side	Belt side
12) Diameter of the pulley	<input type="text" value="D&lt;sub&gt;3&lt;/sub&gt;:"/> mm	<input type="text" value="D&lt;sub&gt;4&lt;/sub&gt;:"/> mm
13) Weight of the pulley	<input type="text" value="W&lt;sub&gt;3&lt;/sub&gt;:"/> kg	<input type="text" value="W&lt;sub&gt;4&lt;/sub&gt;:"/> kg

(or item 14) and 15))

14) Width of the belt

15) Material of the pulley

	Motor side	Belt side
16) Diameter of the pulley	<input type="text" value="D&lt;sub&gt;3&lt;/sub&gt;:"/> mm	<input type="text" value="D&lt;sub&gt;4&lt;/sub&gt;:"/> mm
17) Weight of the pulley	<input type="text" value="W&lt;sub&gt;3&lt;/sub&gt;:"/> kg	<input type="text" value="W&lt;sub&gt;4&lt;/sub&gt;:"/> kg

(or item 18) and 19))

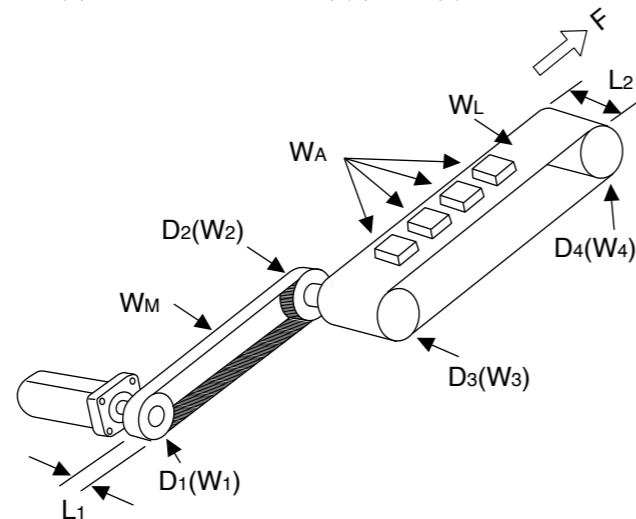
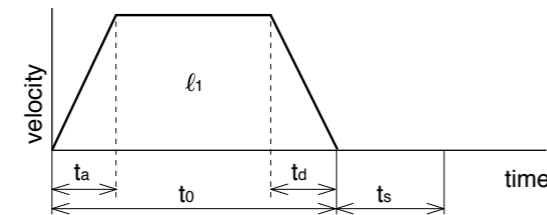
18) Width of the pulley

19) Material of the pulley

20) Weight of the belt

21) Traveling direction (horizontal, vertical etc.)

Running pattern



### 2. Other data (Fill the details on specific mechanism and its configurations in the following blank.)

Company name : \_\_\_\_\_

Department/Section : \_\_\_\_\_

Name : \_\_\_\_\_

Address : \_\_\_\_\_

Tel : \_\_\_\_\_

Fax : \_\_\_\_\_

E-mail address: \_\_\_\_\_

# Request Sheet for Motor Selection

## Request for motor selection V : Turntable drive

### 1. Driven mechanism and running data

1) Travel distance of the work load per one cycle

2) Cycle time

(Fill in items 3) and 4) if required.)

3) Acceleration time

4) Deceleration time

5) Stopping time

6) Max. rotational speed of the table

(or)

7) Positioning accuracy of the work load

8) Weight of one work load

9) Driving radius of the center of gravity of the work

10) Diameter of the table

11) Mass of the table

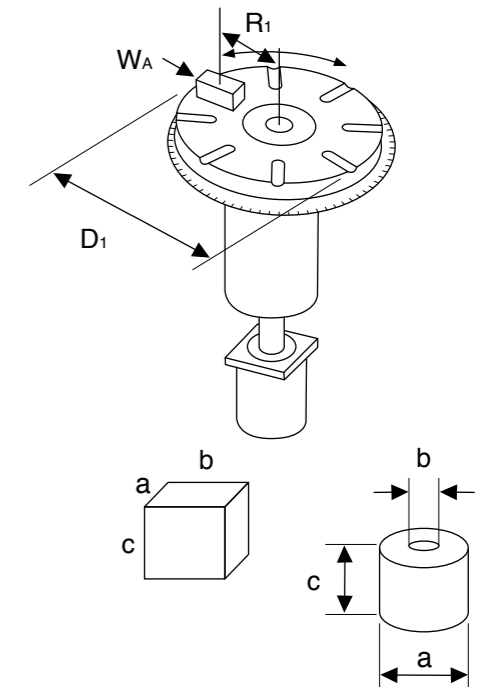
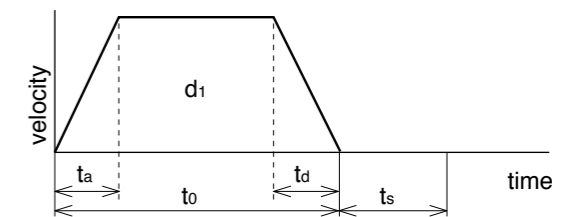
12) Diameter of the table support

13) Power supply voltage

	Prism	Cylinder
14) Dimensions of the work load	<input type="text" value="a:"/> mm	<input type="text" value="a:"/> mm
	<input type="text" value="b:"/> mm	<input type="text" value="b:"/> mm
	<input type="text" value="c:"/> mm	<input type="text" value="c:"/> mm

15) Number of work loads

Running pattern



### 2. Other data (Fill the details on specific mechanism and its configurations in the following blank.)

Company name : \_\_\_\_\_

Department/Section : \_\_\_\_\_

Name : \_\_\_\_\_

Address : \_\_\_\_\_

Tel : \_\_\_\_\_

Fax : \_\_\_\_\_

E-mail address: \_\_\_\_\_

# Request Sheet for Motor Selection

## Request for motor selection VI : Timing pulley + Turntable drive

### 1. Driven mechanism and running data

1) Travel distance of the work load per one cycle	$d_1$ : <input type="text"/> deg	16) Diameter of the pulley	Motor side $D_2$ : <input type="text"/> mm	Turntable side $D_3$ : <input type="text"/> mm			
2) Cycle time	$t_0$ : <input type="text"/> s	17) Weight of the pulley	$W_2$ : <input type="text"/> kg	$W_3$ : <input type="text"/> kg			
(Fill in items 3) and 4) if required.)		(or item 18) and 19))					
3) Acceleration time	$t_a$ : <input type="text"/> s	18) Width of the pulley	$L_1$ : <input type="text"/> mm				
4) Deceleration time	$t_d$ : <input type="text"/> s	19) Material of the pulley	<input type="text"/>				
5) Stopping time	$t_s$ : <input type="text"/> s	20) Weight of the belt	$W_M$ : <input type="text"/> kg				
6) Max. rotational speed of the table	$v$ : <input type="text"/> deg/s						
(or)	$V$ : <input type="text"/> r/s						
7) Positioning accuracy of the work load	$\pm$ <input type="text"/> deg						
8) Weight of one work load	$W_A$ : <input type="text"/> kg						
9) Driving radius of the center of gravity of the work	$R_1$ : <input type="text"/> mm						
10) Diameter of the table	$D_1$ : <input type="text"/> mm						
11) Mass of the table	$W_1$ : <input type="text"/> kg						
12) Diameter of the table support	$T_1$ : <input type="text"/> mm						
13) Power supply voltage	<input type="text"/> V						
14) Dimension of the work load	(Prism) a: <input type="text"/> mm				(Cylinder) a: <input type="text"/> mm		
	b: <input type="text"/> mm				b: <input type="text"/> mm		
	c: <input type="text"/> mm				c: <input type="text"/> mm		
15) Number of work loads	<input type="text"/> pcs						

### 2. Other data (Fill the details on specific mechanism and its configurations in the following blank.)

	Company name :
	Department/Section :
	Name :
	Address :
	Tel :
	Fax :
E-mail address:	

# Request Sheet for Motor Selection

## Request for motor selection VII : Roller feed drive

### 1. Driven mechanism and running data

1) Travel distance of the work load per one cycle	$l_1$ : <input type="text"/> mm	
2) Cycle time	$t_0$ : <input type="text"/> s	
(Fill in items 3) and 4) if required.)		
3) Acceleration time	$t_a$ : <input type="text"/> s	
4) Deceleration time	$t_d$ : <input type="text"/> s	
5) Stopping time	$t_s$ : <input type="text"/> s	
6) Max. velocity	$v$ : <input type="text"/> mm/s	
7) External pulling force	$F$ : <input type="text"/> N	
8) Positioning accuracy of the work load	$\pm$ <input type="text"/> mm	
9) Number of rollers	<input type="text"/> pcs	
10) Power supply voltage	<input type="text"/> V	
11) Diameter of the roller	$D_1$ : <input type="text"/> mm	
12) Mass of the roller	$W_1$ : <input type="text"/> kg	
13) Width of the roller	$L_1$ : <input type="text"/> mm	
14) Material of the roller	<input type="text"/>	

### 2. Other data (Fill the details on specific mechanism and its configurations in the following blank.)

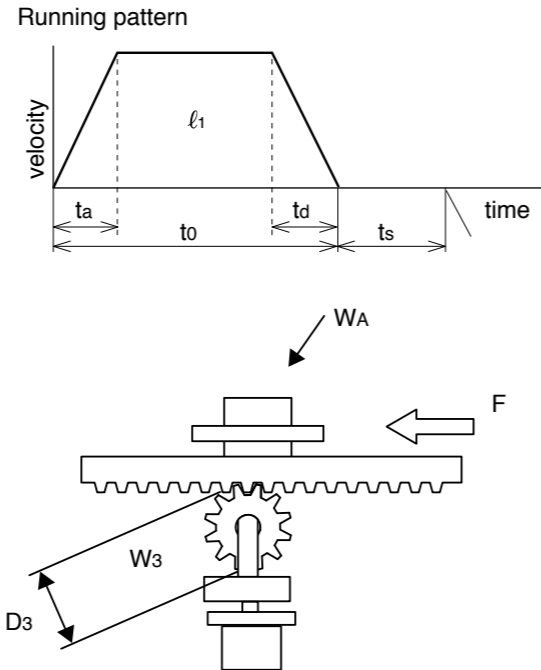
	Company name :
	Department/Section :
	Name :
	Address :
	Tel :
	Fax :
E-mail address:	

# Request Sheet for Motor Selection

## Request for motor selection VIII : Driving with Rack & Pinion

### 1. Driven mechanism and running data

- 1) Travel distance of the work load per one cycle  mm
- 2) Cycle time  s  
(Fill in items 3) and 4) if required.)
- 3) Acceleration time  s
- 4) Deceleration time  s
- 5) Stopping time  s
- 6) Max. velocity  mm/s
- 7) External force  N
- 8) Positioning accuracy of the work load  mm
- 9) Total weight of the work load  kg
- 10) Power supply voltage  V
- 11) Diameter of the pinion  mm
- 12) Mass of the pinion  kg
- 13) Traveling direction (horizontal, vertical, etc.)



### 2. Other data (Fill the details on specific mechanism and its configurations in the following blank.)

Company name : \_\_\_\_\_

Department/Section : \_\_\_\_\_

Name : \_\_\_\_\_

Address : \_\_\_\_\_

Tel : \_\_\_\_\_

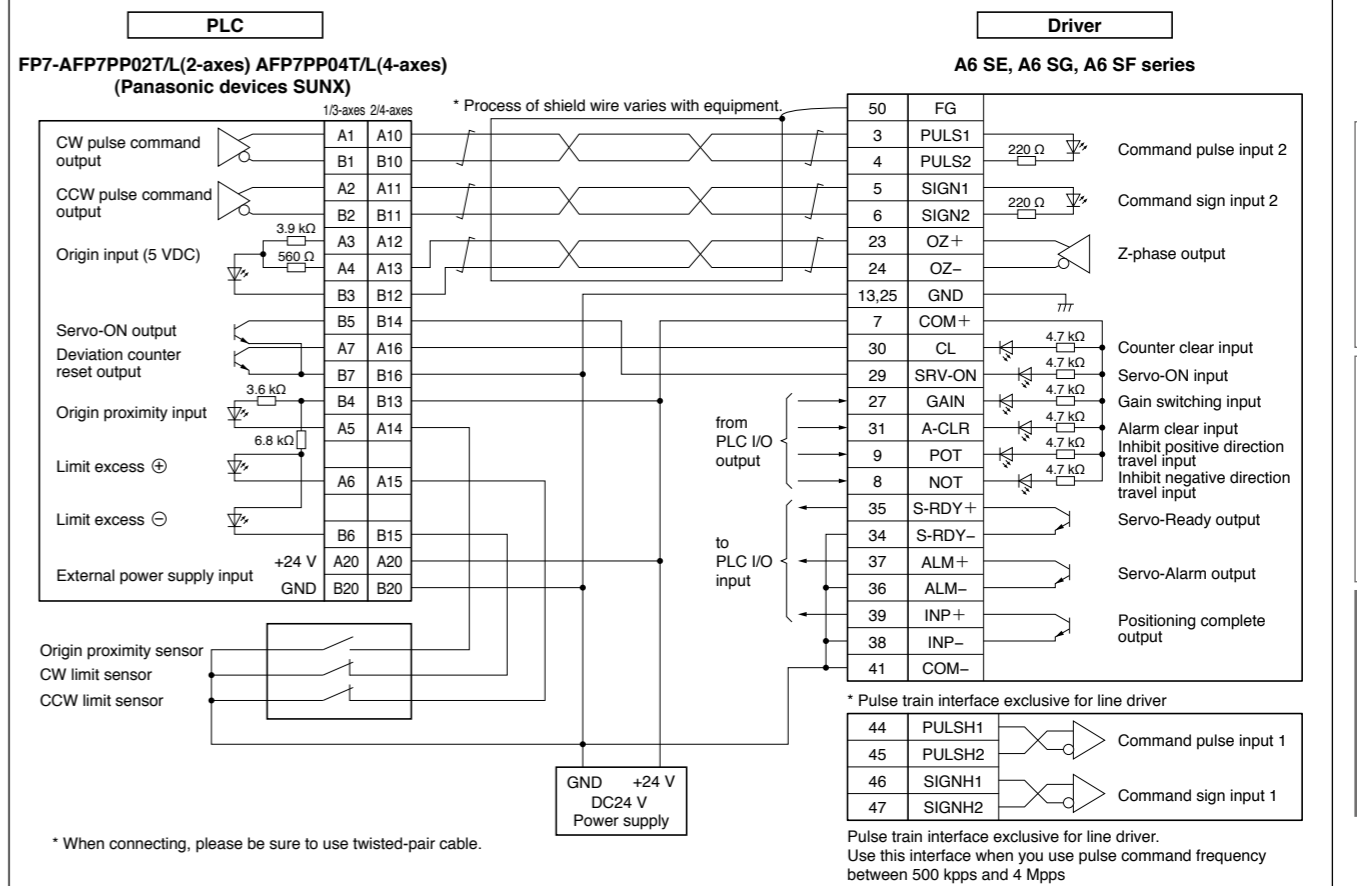
Fax : \_\_\_\_\_

E-mail address: \_\_\_\_\_

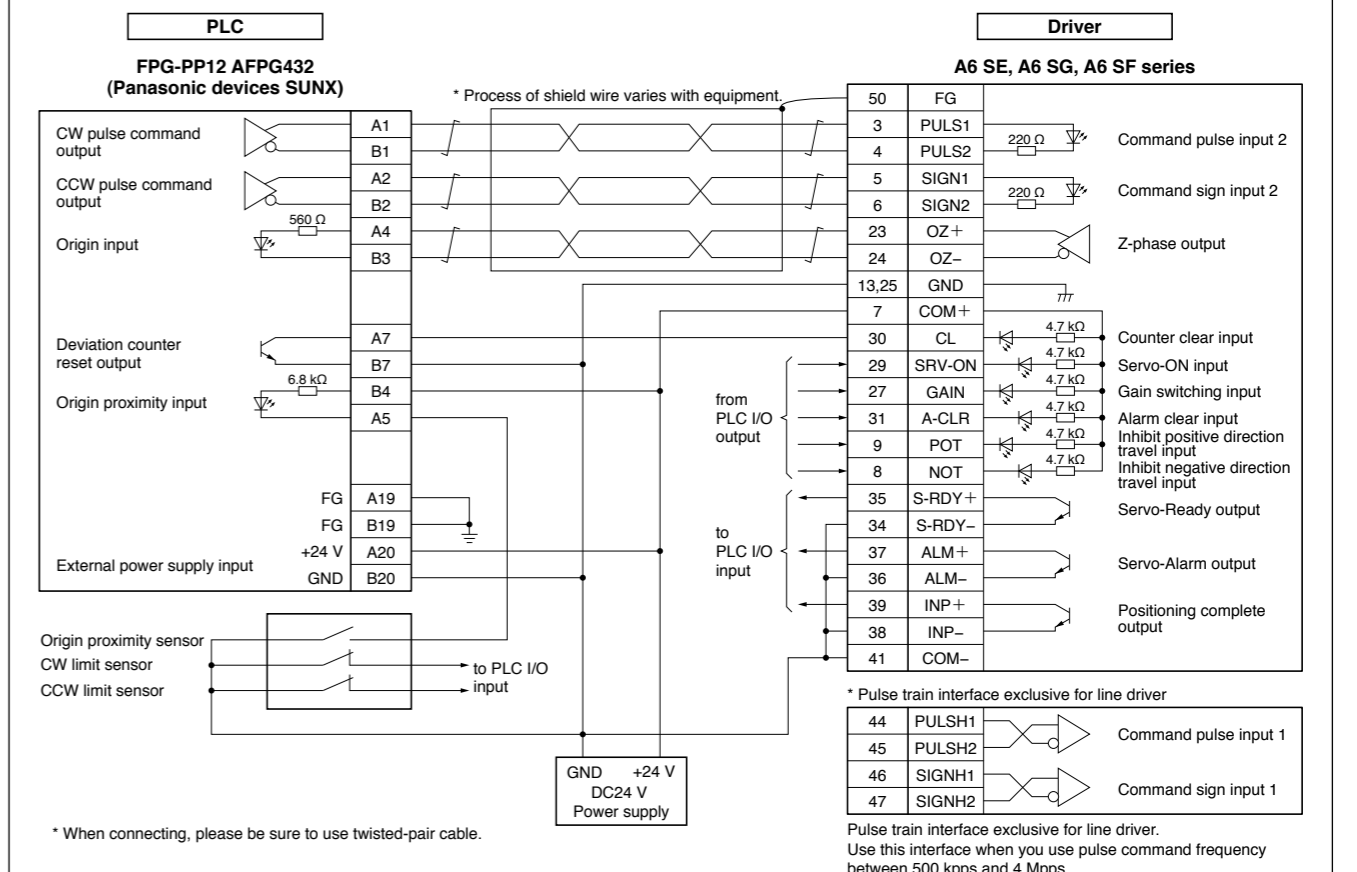
# Connection Between Driver and Controller

# A6 Family Connection Between Driver and Controller

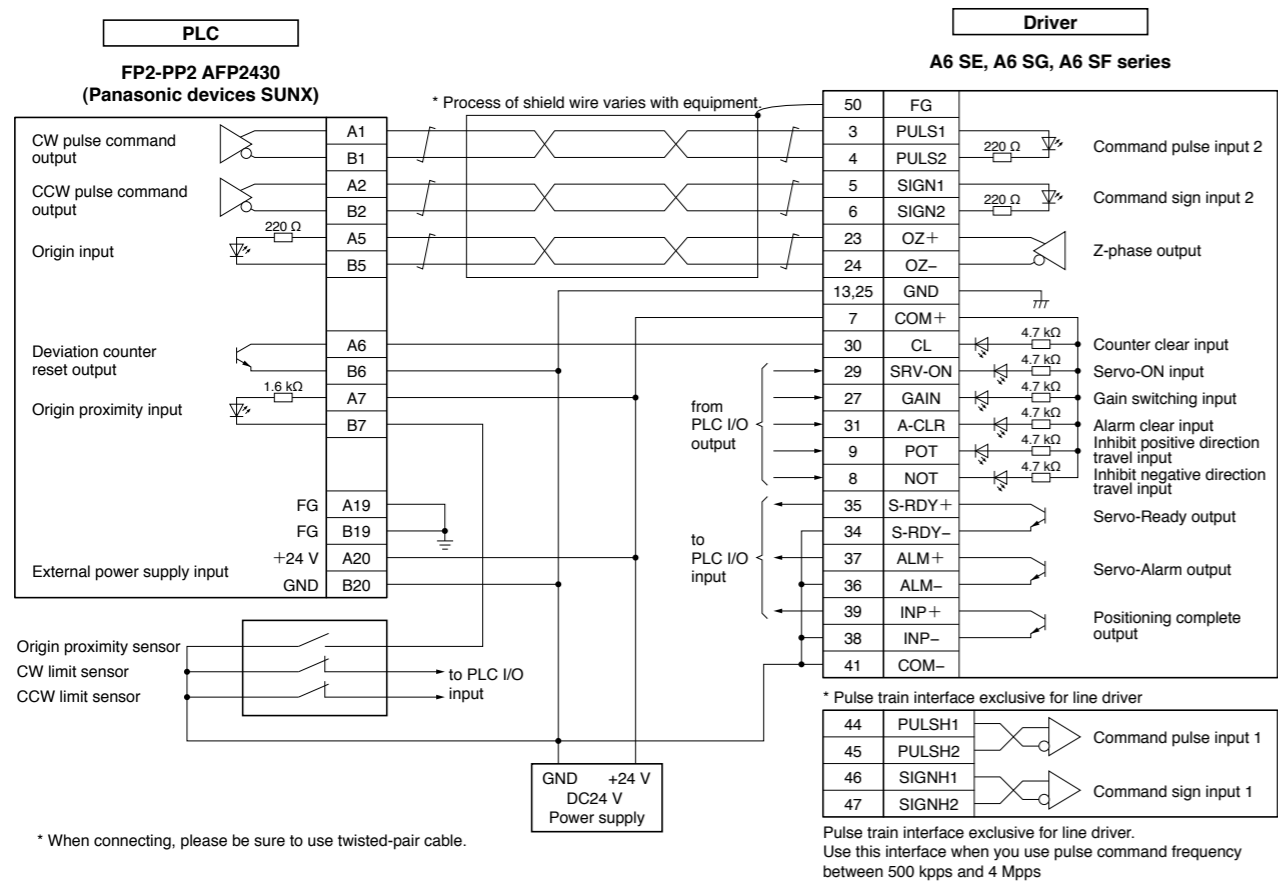
## FP7-AFP7PP02T/L(2-axes) AFP7PP04T/L(4-axes) Connection with the Panasonic devices SUNX.



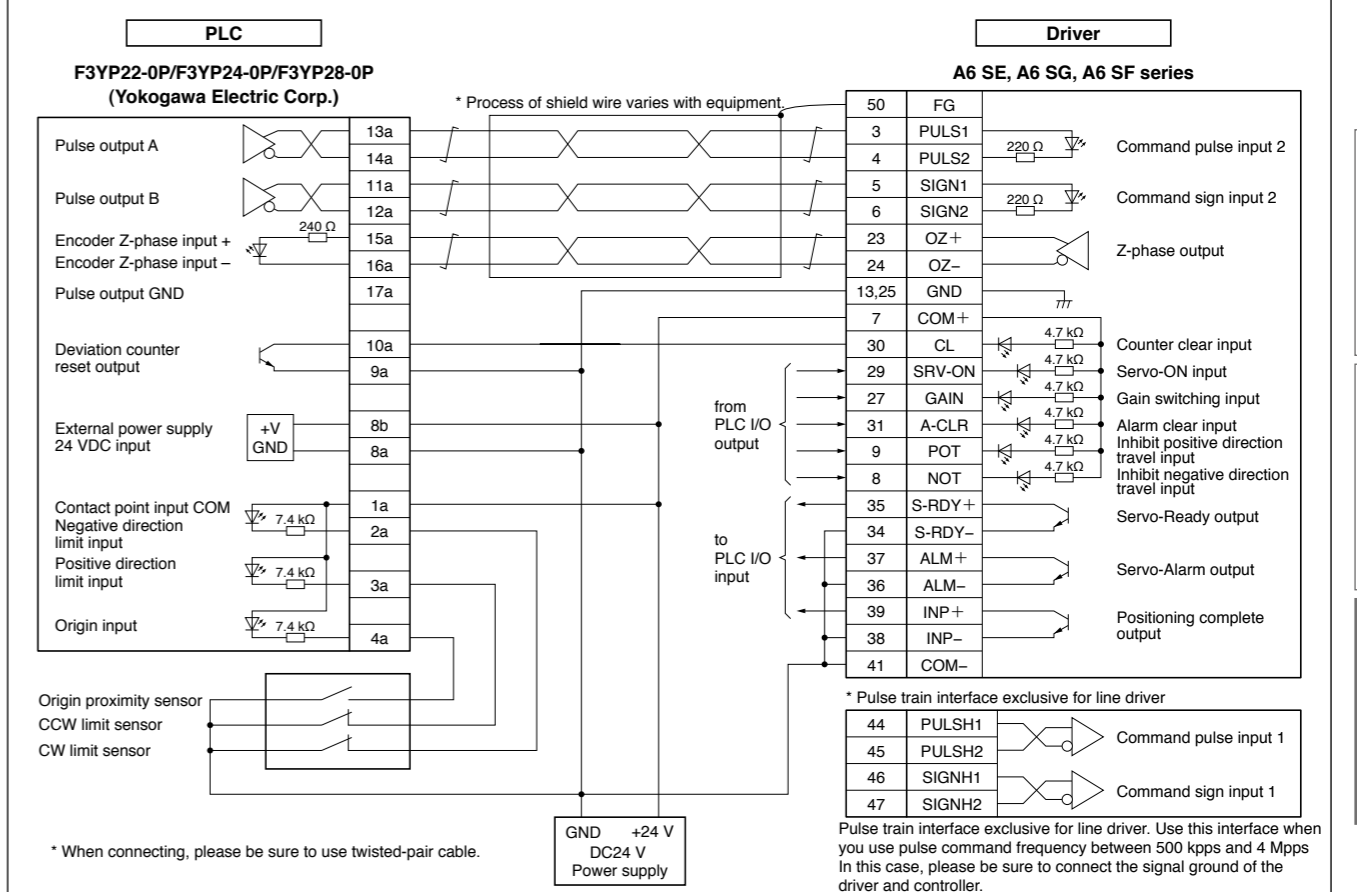
## FPG-PP12 AFP432 Connection with the Panasonic devices SUNX.



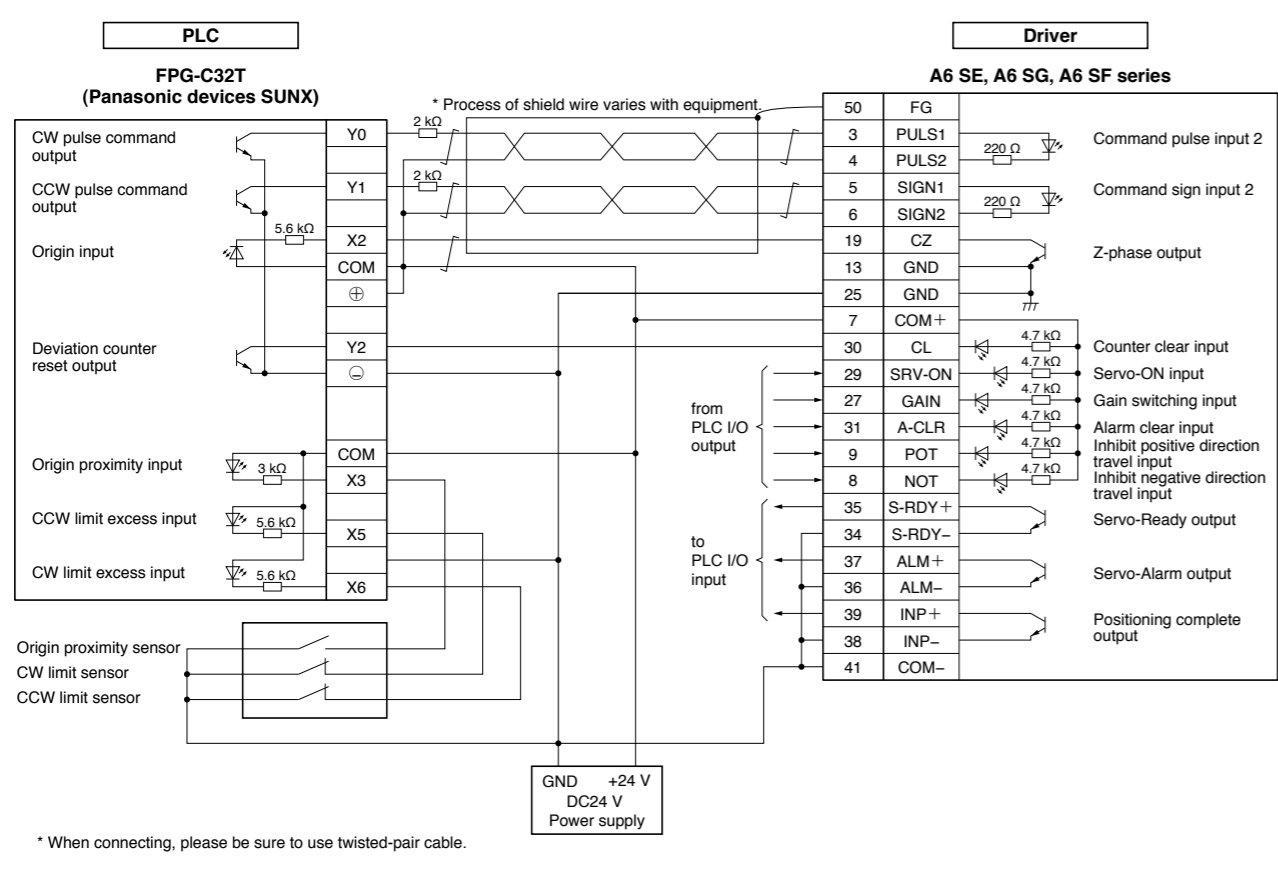
FP2-PP2 AFP2430 Connection with the Panasonic devices SUNX.



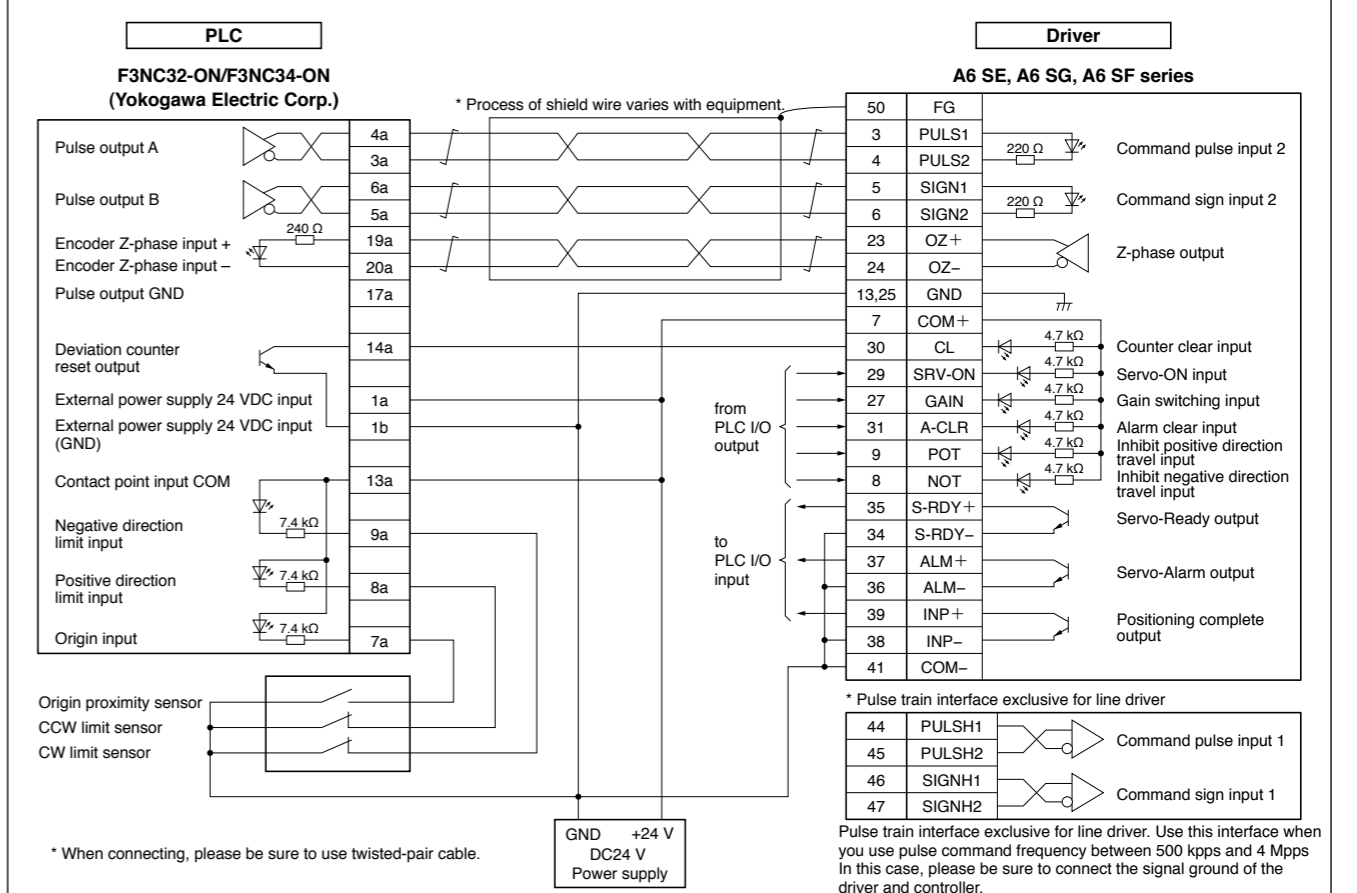
F3YP22-0P/F3YP24-0P/F3YP28-0P Connection with the Yokogawa Electric Corp.



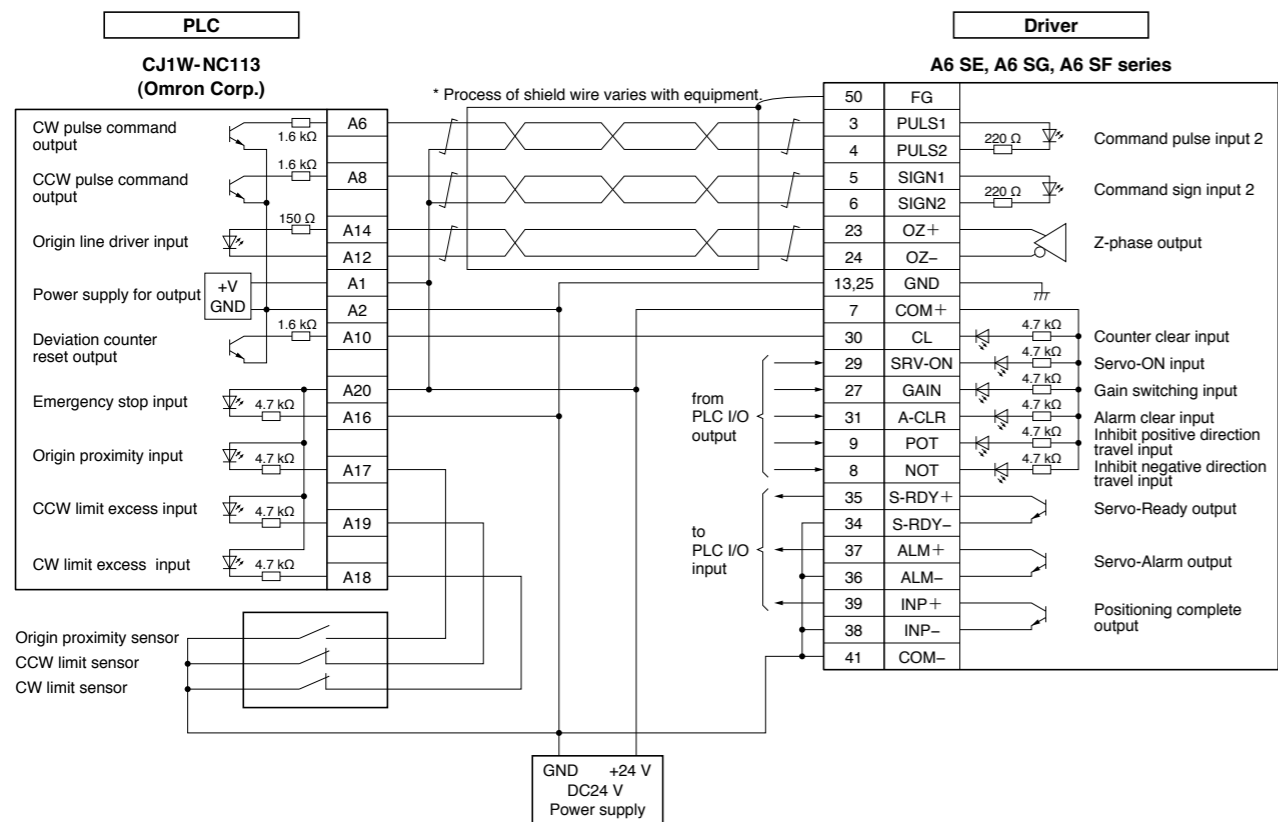
FPG-C32T Connection with the Panasonic devices SUNX.



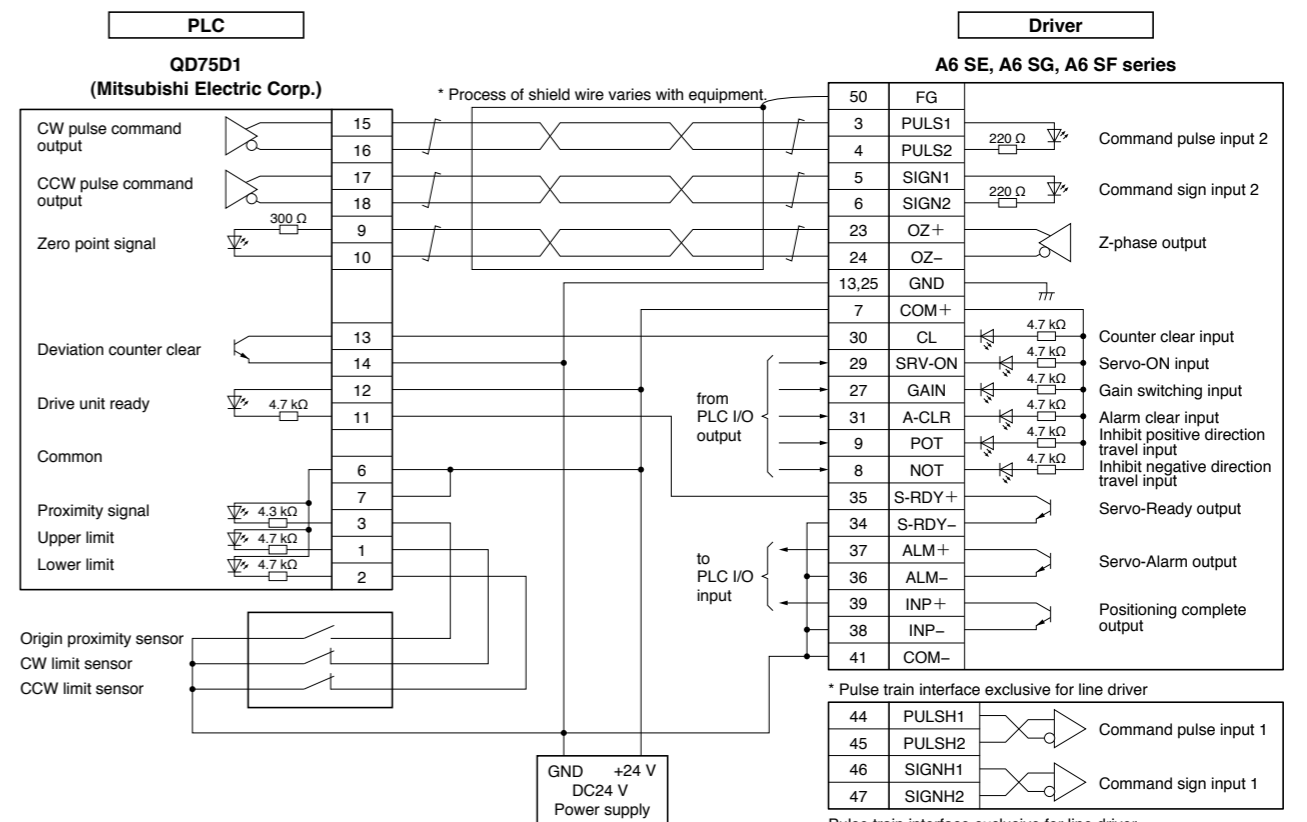
F3NC32-ON/F3NC34-ON Connection with the Yokogawa Electric Corp.



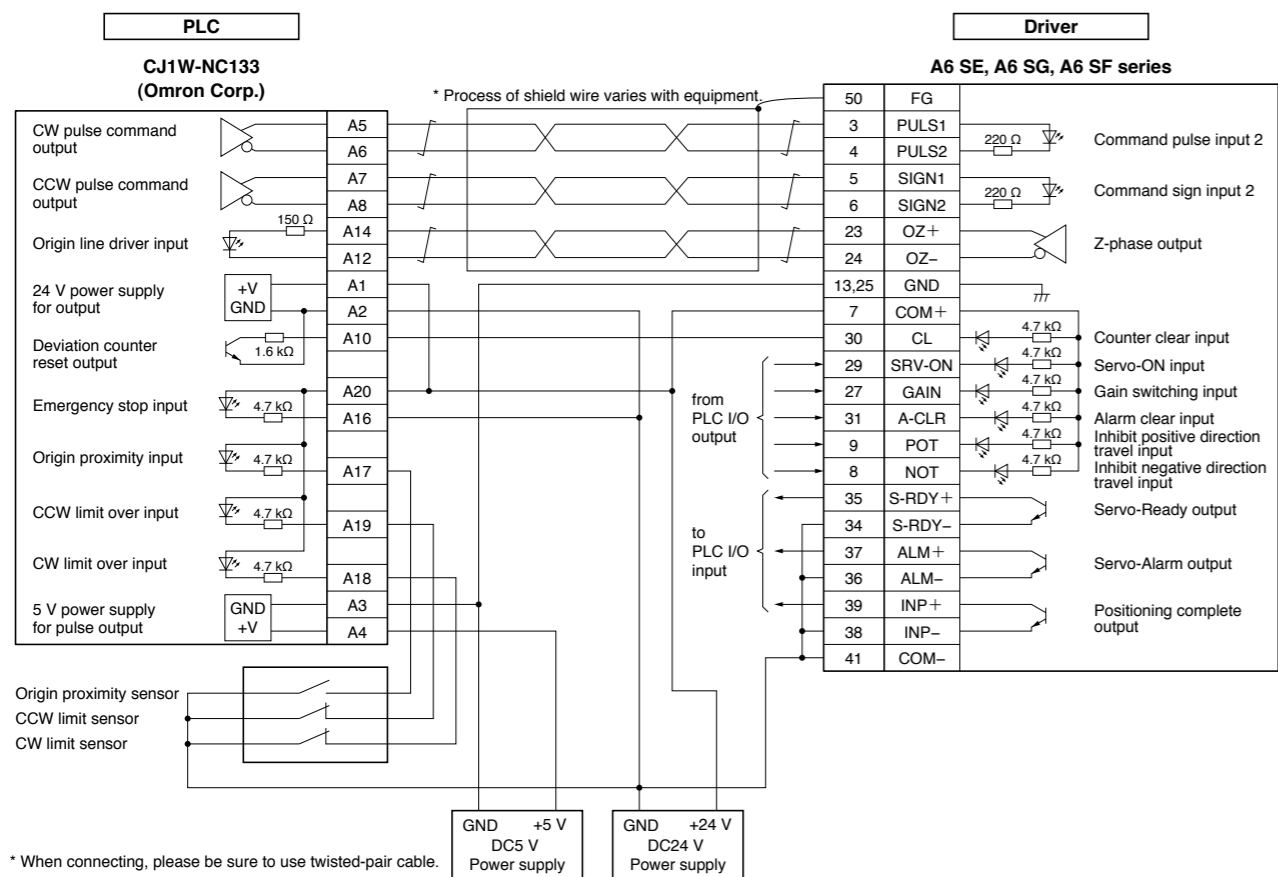
CJ1W-NC113 Connection with the Omron Corp.



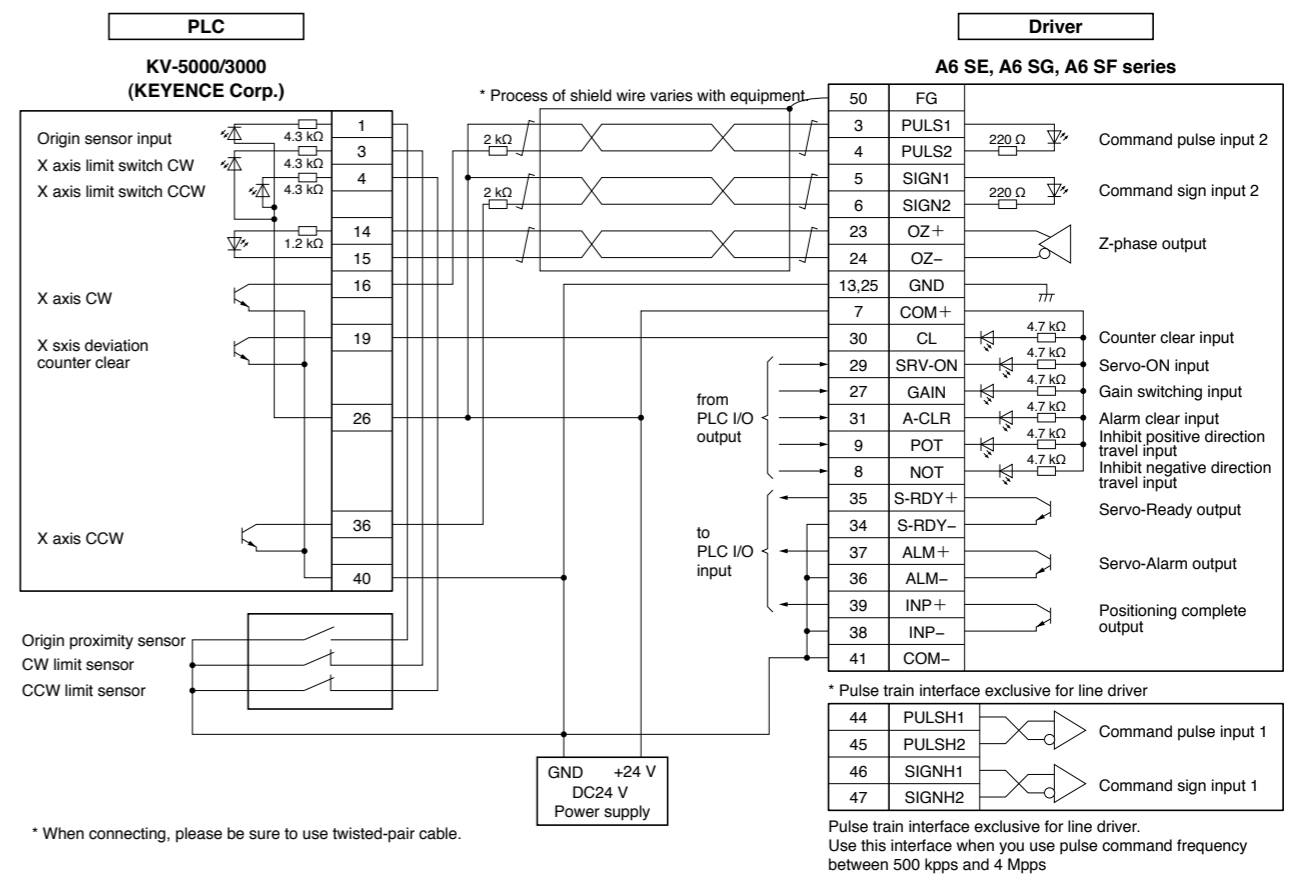
QD75D1 Connection with the Mitsubishi Electric Corp.



CJ1W-NC133 Connection with the Omron Corp.



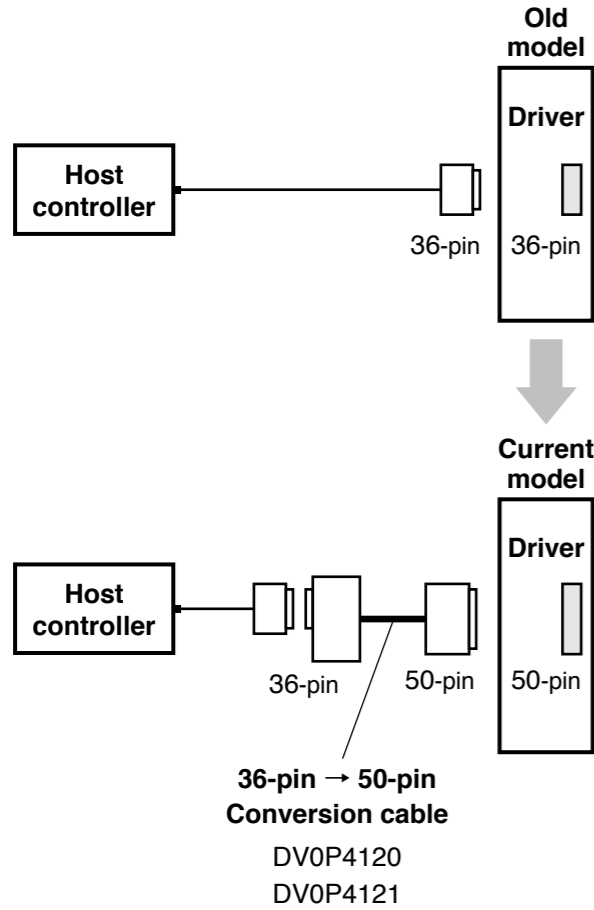
KV-5000/3000 Connection with the KEYENCE Corp.



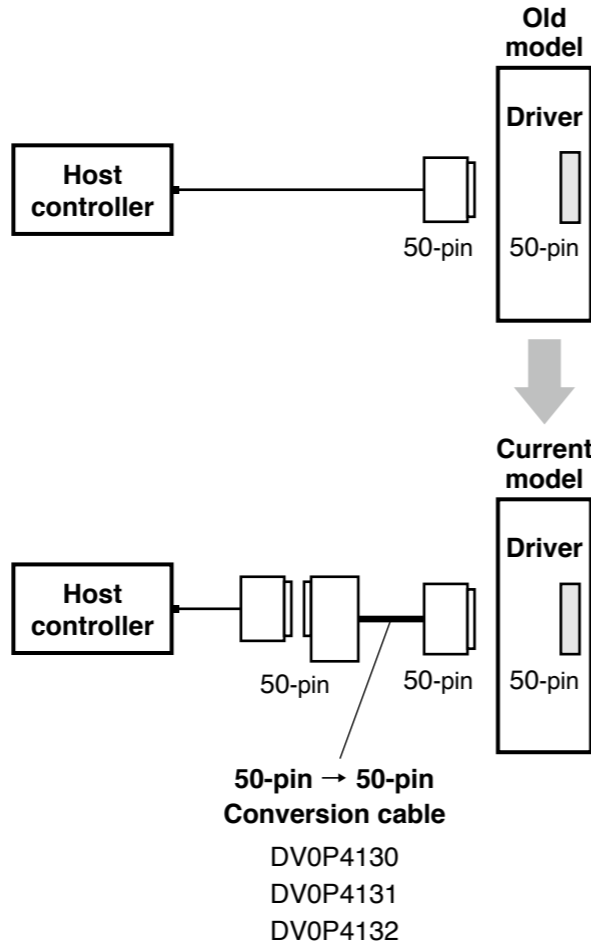
# Replacing Old Model Servo Driver with MINAS A6 series

For easier replacement of old driver (MINAS X/XX/V series) with A6 series, use the interface conversion connector.

### <36-pin → 50-pin>



### <50-pin → 50-pin>



When selecting the cable, refer to the table below because the part number of the cable is specific to the control mode of the old model.

Old model	Control mode	Conversion cable part No.	Conversion wiring table
X series XX series (36-pin)	Position/velocity control	DV0P4120	P.264
	Torque control	DV0P4121	
V series (50-pin)	Position control	DV0P4130	P.265
	Velocity control	DV0P4131	
	Torque control	DV0P4132	P.266

\* For external dimensions, refer to P.182.

## Conversion Wiring Table

Pin No. on Old Model	DV0P4120			DV0P4121		
	Pin No. on Current Model	Signal Name	Symbol	Pin No. on Current Model	Signal Name	Symbol
1	23	Z-phase output	OZ+	23	Z-phase output	OZ+
2	24	Z-phase output	OZ-	24	Z-phase output	OZ-
3	13	Signal ground	GND	13	Signal ground	GND
4	19	Z-phase output	CZ	19	Z-phase output	CZ
5	4	Command pulse input 2	PULS2	4	Command pulse input 2	PULS2
6	3	Command pulse input 2	PULS1	3	Command pulse input 2	PULS1
7	6	Command pulse sign input 2	SIGN2	6	Command pulse sign input 2	SIGN2
8	5	Command pulse sign input 2	SIGN1	5	Command pulse sign input 2	SIGN1
9	33	Command pulse inhibition input	INH	33	Command pulse inhibition input	INH
10	26	Speed zero clamp input	ZEROSPD	26	Speed zero clamp input	ZEROSPD
11	7	Power supply for control signal (+)	COM+	7	Power supply for control signal (+)	COM+
12	29	Servo-ON input	SRV-ON	29	Servo-ON input	SRV-ON
13	30	Deviation counter clear input	CL	30	Deviation counter clear input	CL
14	14	Speed command input	SPR	NC		
15	15	Signal ground	GND	15	Signal ground	GND
16	43	Speed monitor output	SP	43	Speed monitor output	SP
17	25	Signal ground	GND	25	Signal ground	GND
18	50	Frame ground	FG	50	Frame ground	FG
19	21	A-phase output	OA+	21	A-phase output	OA+
20	22	A-phase output	OA-	22	A-phase output	OA-
21	48	B-phase output	OB+	48	B-phase output	OB+
22	49	B-phase output	OB-	49	B-phase output	OB-
23	NC			NC		
24	NC			NC		
25	39	Positioning complete output Speed arrival output	COIN+ AT-SPEED+	39	Positioning complete output Speed arrival output	COIN+ AT-SPEED+
26	37	Servo-Alarm output	ALM+	37	Servo-Alarm output	ALM+
27	35	Servo-Ready output	S-RDY+	35	Servo-Ready output	S-RDY+
28	34	Positioning complete output (-) Speed arrival output (-)	COIN- AT-SPEED-	34	Positioning complete output (-) Speed arrival output (-)	COIN- AT-SPEED-
	36	Servo-Alarm output (-)	ALM-	36	Servo-Alarm output (-)	ALM-
	38	Servo-Ready output (-)	S-RDY-	38	Servo-Ready output (-)	S-RDY-
	41	Power supply for control signal (-)	COM-	41	Power supply for control signal (-)	COM-
29	8	CW over-travel inhibit input	CWL	8	CW over-travel inhibit input	CWL
30	9	CCW over-travel inhibit input	CCWL	9	CCW over-travel inhibit input	CCWL
31	31	Alarm clear input	A-CLR	31	Alarm clear input	A-CLR
32	32	Control mode switching input	C-MODE	32	Control mode switching input	C-MODE
33	18	CW direction torque limit input	CWTL	18	CW direction torque limit input	CWTL
34	16	CCW direction torque limit input	CCWTL	14	Torque command input	TRQR
35	17	Signal ground	GND	17	Signal ground	GND
36	42	Torque monitor output	IM	42	Torque monitor output	IM

\* "NC" is no connect.

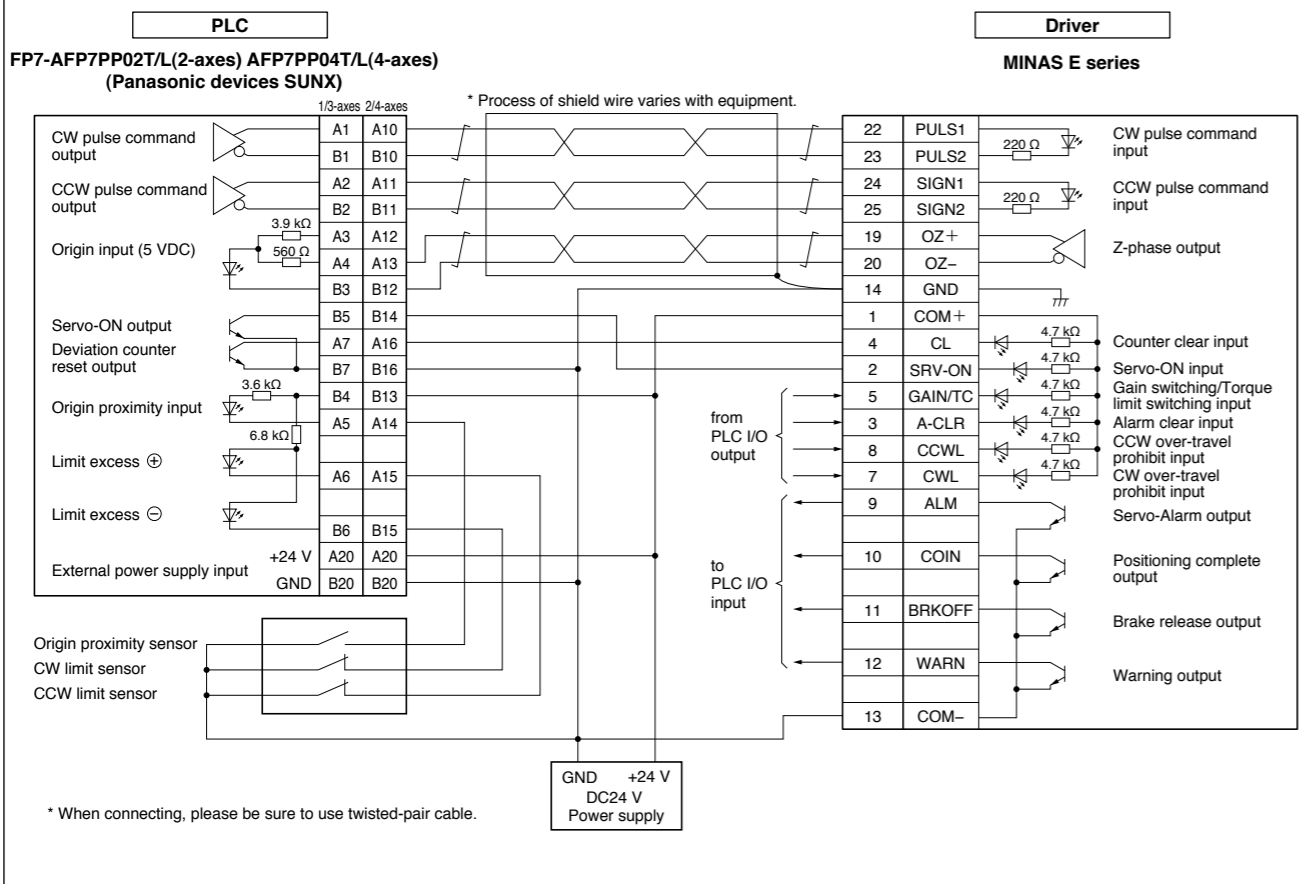
Pin No. on Old Model	DV0P4130			DV0P4131		
	Pin No. on Current Model	Signal Name	Symbol	Pin No. on Current Model	Signal Name	Symbol
1	8	CW over-travel inhibit input	CWL	8	CW over-travel inhibit input	CWL
2	9	CCW over-travel inhibit input	CCWL	9	CCW over-travel inhibit input	CCWL
3	3	Command pulse input 2	PULS1	NC		
4	4	Command pulse input 2	PULS2	NC		
5	5	Command pulse sign input 2	SIGN1	NC		
6	6	Command pulse sign input 2	SIGN2	NC		
7	7	Power supply for control signal (+)	COM+	7	Power supply for control signal (+)	COM+
8	NC			NC		
9	NC			NC		
10	NC			NC		
11	11	External brake release signal	BRK-OFF+	11	External brake release signal	BRK-OFF+
12	12	Zero-speed detection output signal	ZSP	12	Zero-speed detection output signal	ZSP
13	13	Torque in-limit signal output	TLC	13	Torque in-limit signal output	TLC
14	NC			14	Speed command input	SPR
15	15	Signal ground	GND	15	Signal ground	GND
16	16	CCW direction torque limit input	CCWTL	16	CCW direction torque limit input	CCWTL
17	17	Signal ground	GND	17	Signal ground	GND
18	18	CW direction torque limit input	CWTL	18	CW direction torque limit input	CWTL
19	19	Z-phase output	CZ	19	Z-phase output	CZ
20	NC			NC		
21	21	A-phase output	OA+	21	A-phase output	OA+
22	22	A-phase output	OA-	22	A-phase output	OA-
23	23	Z-phase output	OZ+	23	Z-phase output	OZ+
24	24	Z-phase output	OZ-	24	Z-phase output	OZ-
25	50	Frame ground	FG	50	Frame ground	FG
26	26	Speed zero clamp input	ZEROSPD	26	Speed zero clamp input	ZEROSPD
27	27	Gain switching input	GAIN	27	Gain switching input	GAIN
28	NC			33	Selection 1 input of internal command speed	INTSPD1
29	29	Servo-ON input	SRV-ON	29	Servo-ON input	SRV-ON
30	30	Deviation counter clear input	CL	NC		
31	31	Alarm clear input	A-CLR	31	Alarm clear input	A-CLR
32	32	Control mode switching input	C-MODE	32	Control mode switching input	C-MODE
33	33	Command pulse inhibition input	INH	NC		
34	NC			NC		
35	35	Servo-Ready output	S-RDY+	35	Servo-Ready output	S-RDY+
36	NC			NC		
37	37	Servo-Alarm output	ALM+	37	Servo-Alarm output	ALM+
38	NC			NC		
39	39	Positioning complete output	COIN+	39	Speed arrival output	AT-SPEED+
40	40	Torque in-limit signal output	TLC	40	Torque in-limit signal output	TLC
41	10	External brake release signal (-)	BRK-OFF-	10	External brake release signal (-)	BRK-OFF-
	34	Positioning complete output (-)	COIN-	34	Speed arrival output (-)	AT-SPEED-
	36	Servo-Alarm output (-)	ALM-	36	Servo-Alarm output (-)	ALM-
	38	Servo-Ready output (-)	S-RDY-	38	Servo-Ready output (-)	S-RDY-
	41	Power supply for control signal (-)	COM-	41	Power supply for control signal (-)	COM-
42	42	Torque monitor output	IM	42	Torque monitor output	IM
43	43	Speed monitor output	SP	43	Speed monitor output	SP
44	25	Signal ground	GND	25	Signal ground	GND
45	25	Signal ground	GND	25	Signal ground	GND
46	25	Signal ground	GND	25	Signal ground	GND
47	NC			NC		
48	48	B-phase output	OB+	48	B-phase output	OB+
49	49	B-phase output	OB-	49	B-phase output	OB-
50	50	Frame ground	FG	50	Frame ground	FG

\* "NC" is no connect.

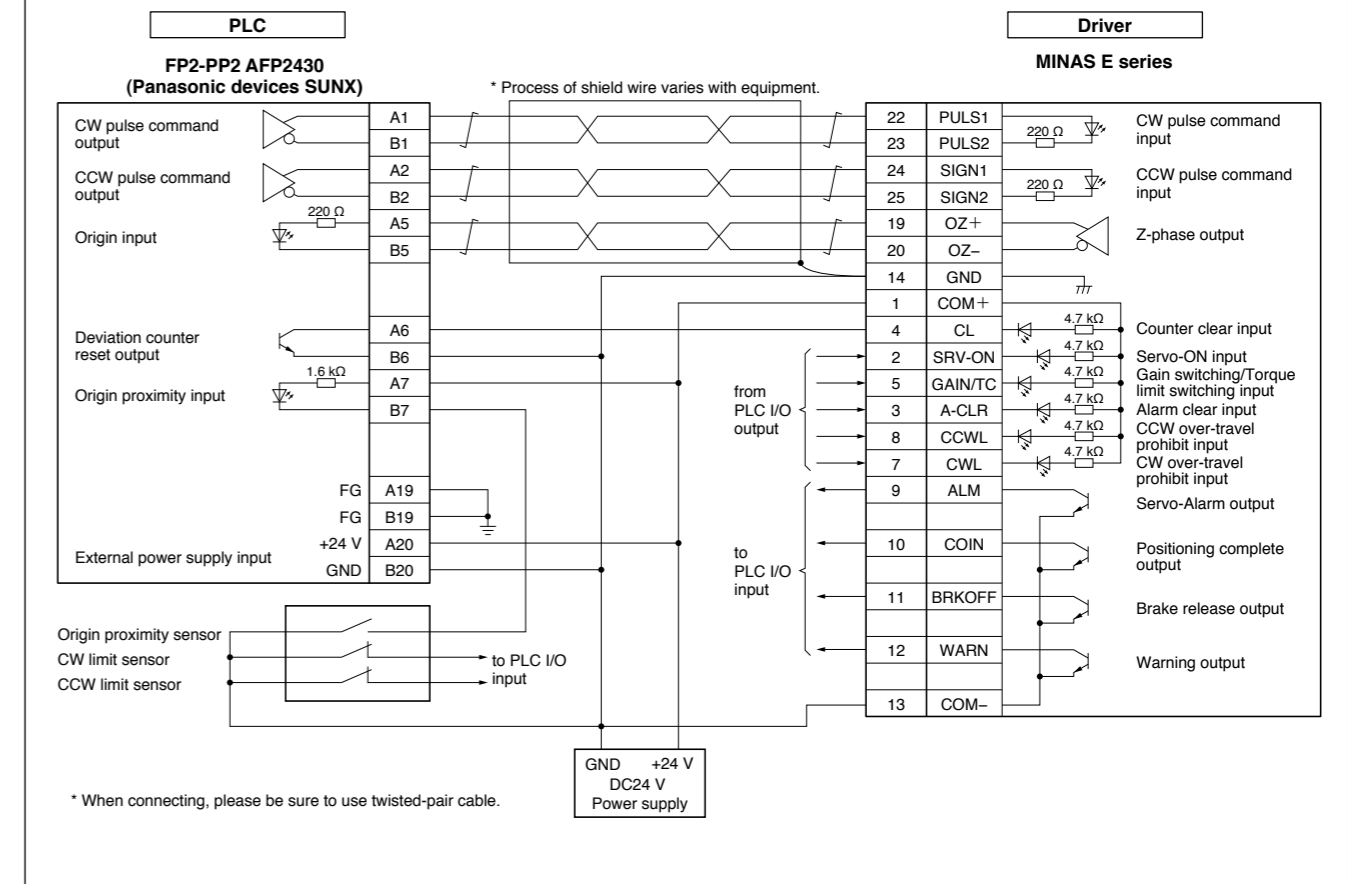
Pin No. on Old Model	DV0P4132		
	Pin No. on Current Model	Signal Name	Symbol
1	8	CW over-travel inhibit input	CWL
2	9	CCW over-travel inhibit input	CCWL
3	NC		
4	NC		
5	NC		
6	NC		
7	7	Power supply for control signal (+)	COM+
8	NC		
9	NC		
10	NC		
11	11	External brake release signal	BRK-OFF+
12	12	Zero-speed detection output signal	ZSP
13	13	Torque in-limit signal output	TLC
14	NC		
15	15	Signal ground	GND
16	16	Torque command input	TRQR
17	17	Signal ground	GND
18	18	CW direction torque limit input	CWTL
19	19	Z-phase output	CZ
20	NC		
21	21	A-phase output	OA+
22	22	A-phase output	OA-
23	23	Z-phase output	OZ+
24	24	Z-phase output	OZ-
25	50	Frame ground	FG
26	26	Speed zero clamp input	ZEROSPD
27	27	Gain switching input	GAIN
28	NC		
29	29	Servo-ON input	SRV-ON
30	NC		
31	31	Alarm clear input	A-CLR
32	32	Control mode switching input	C-MODE
33	NC		
34	NC		
35	35	Servo-Ready output	S-RDY+
36	NC		
37	37	Servo-Alarm output	ALM+
38	NC		
39	39	Speed arrival output	AT-SPEED+
40	40	Torque in-limit signal output	TLC
41	10	External brake release signal (-)	BRK-OFF-
	34	Speed arrival output (-)	AT-SPEED-
	36	Servo-Alarm output (-)	ALM-
	38	Servo-Ready output (-)	S-RDY-
	41	Power supply for control signal (-)	COM-
42	42	Torque monitor output	IM
43	43	Speed monitor output	SP
44	25	Signal ground	GND
45	25	Signal ground	GND
46	25	Signal ground	GND
47	NC		
48	48	B-phase output	OB+
49	49	B-phase output	OB-
50	50	Frame ground	FG

\* "NC" is no connect.

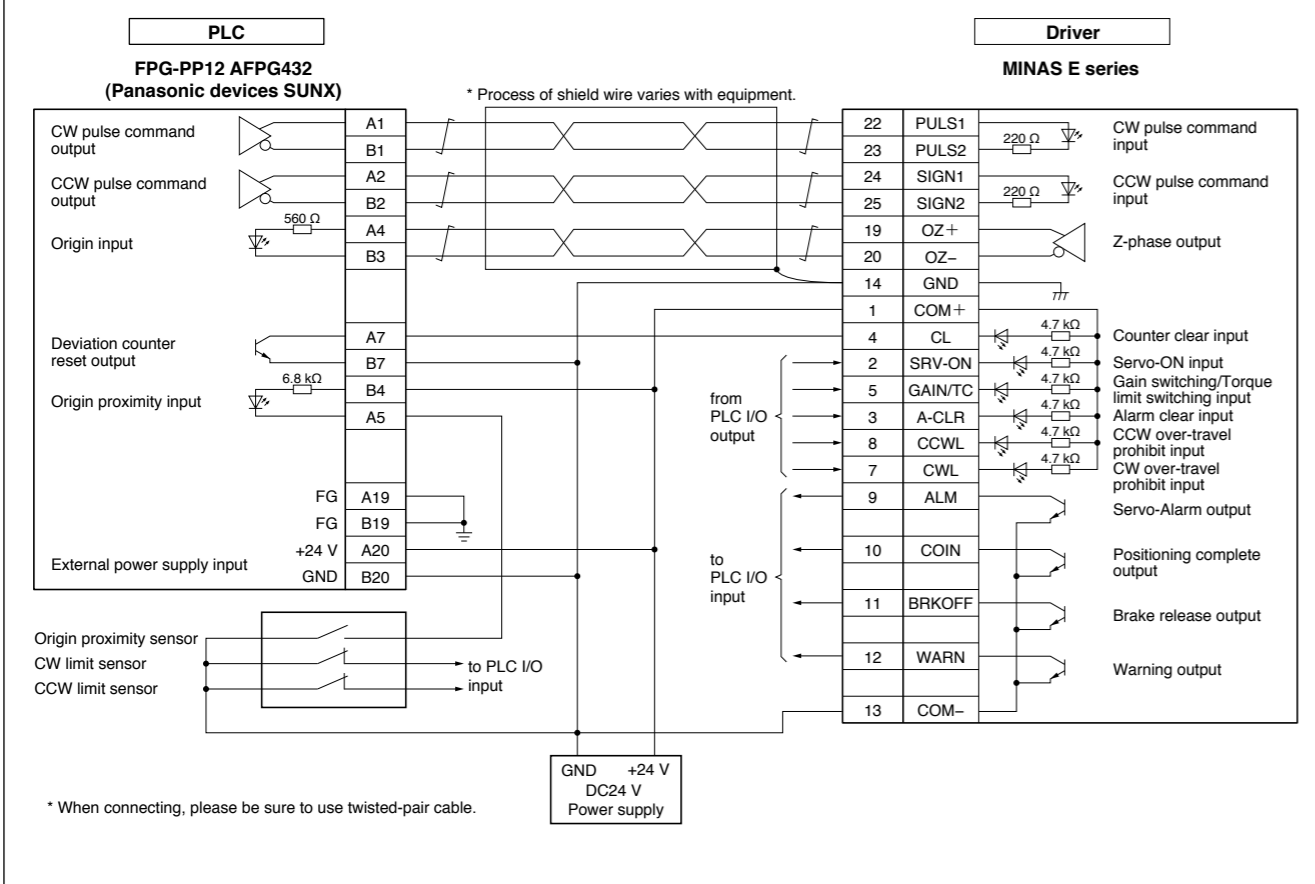
**FP7-AFP7PP02T/L(2-axes) AFP7PP04T/L(4-axes) Connection with the Panasonic devices SUNX.**



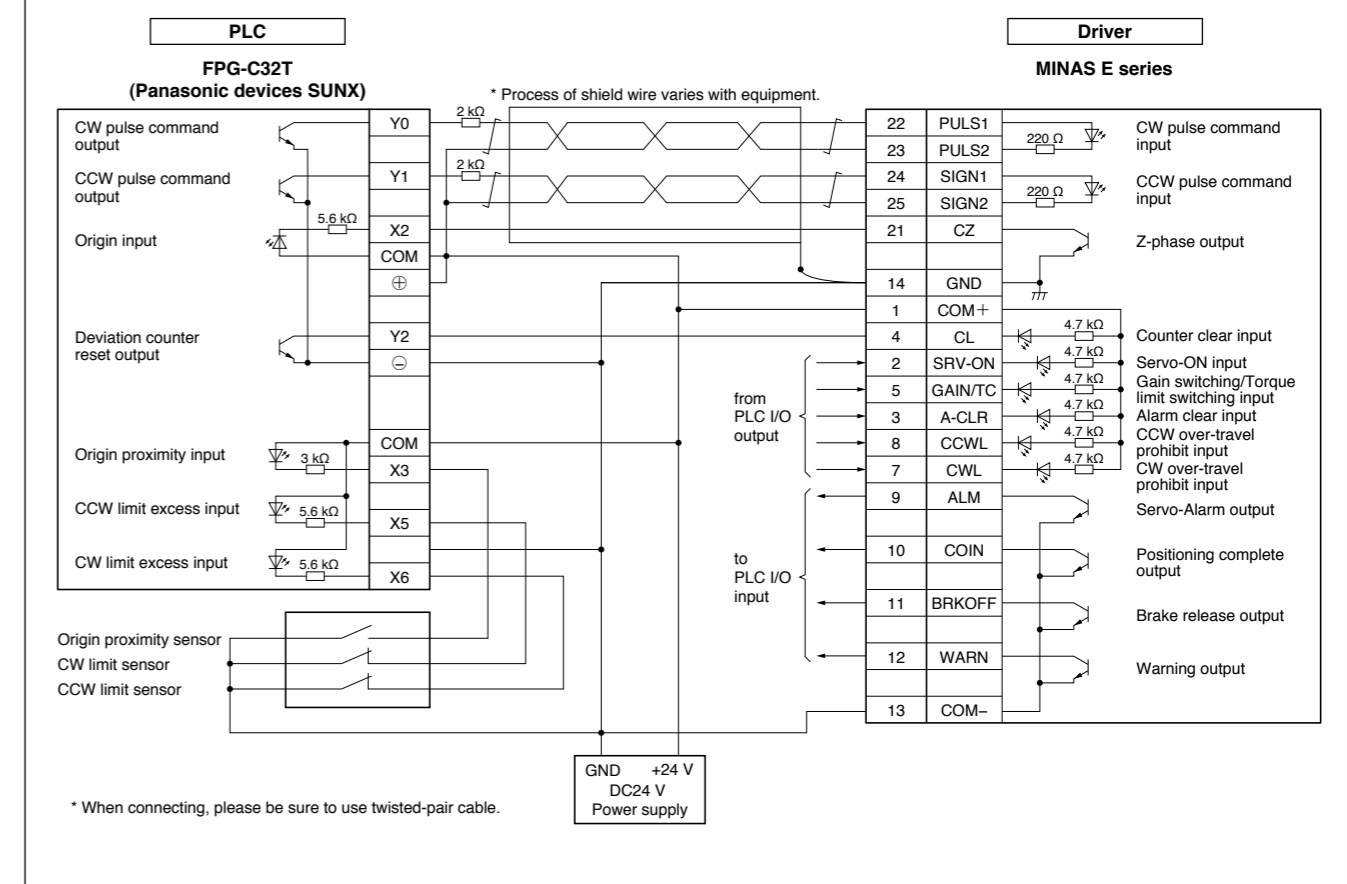
**FP2-PP2 AFP2430 Connection with the Panasonic devices SUNX.**



**FPG-PP12 AFPG432 Connection with the Panasonic devices SUNX.**

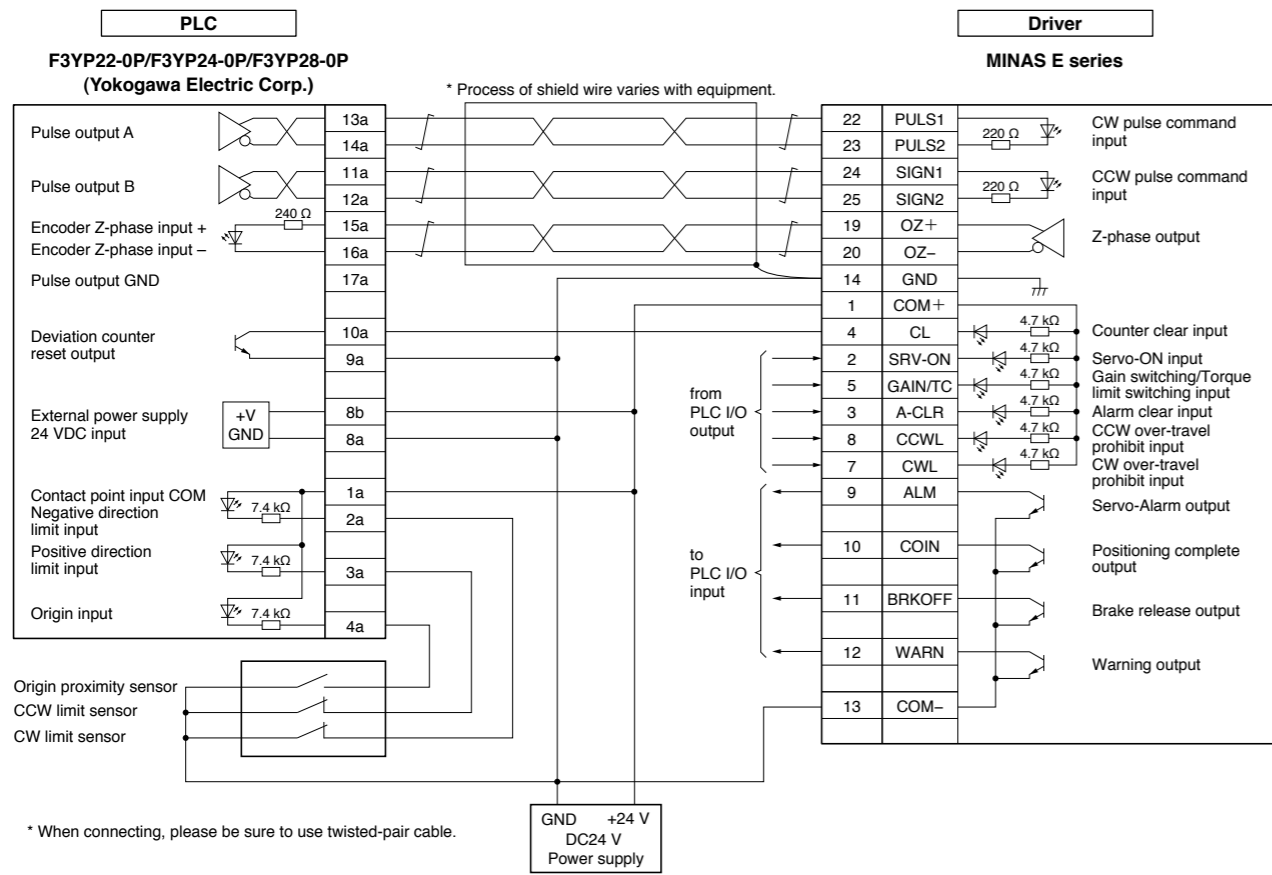


**FPG-C32T Connection with the Panasonic devices SUNX.**

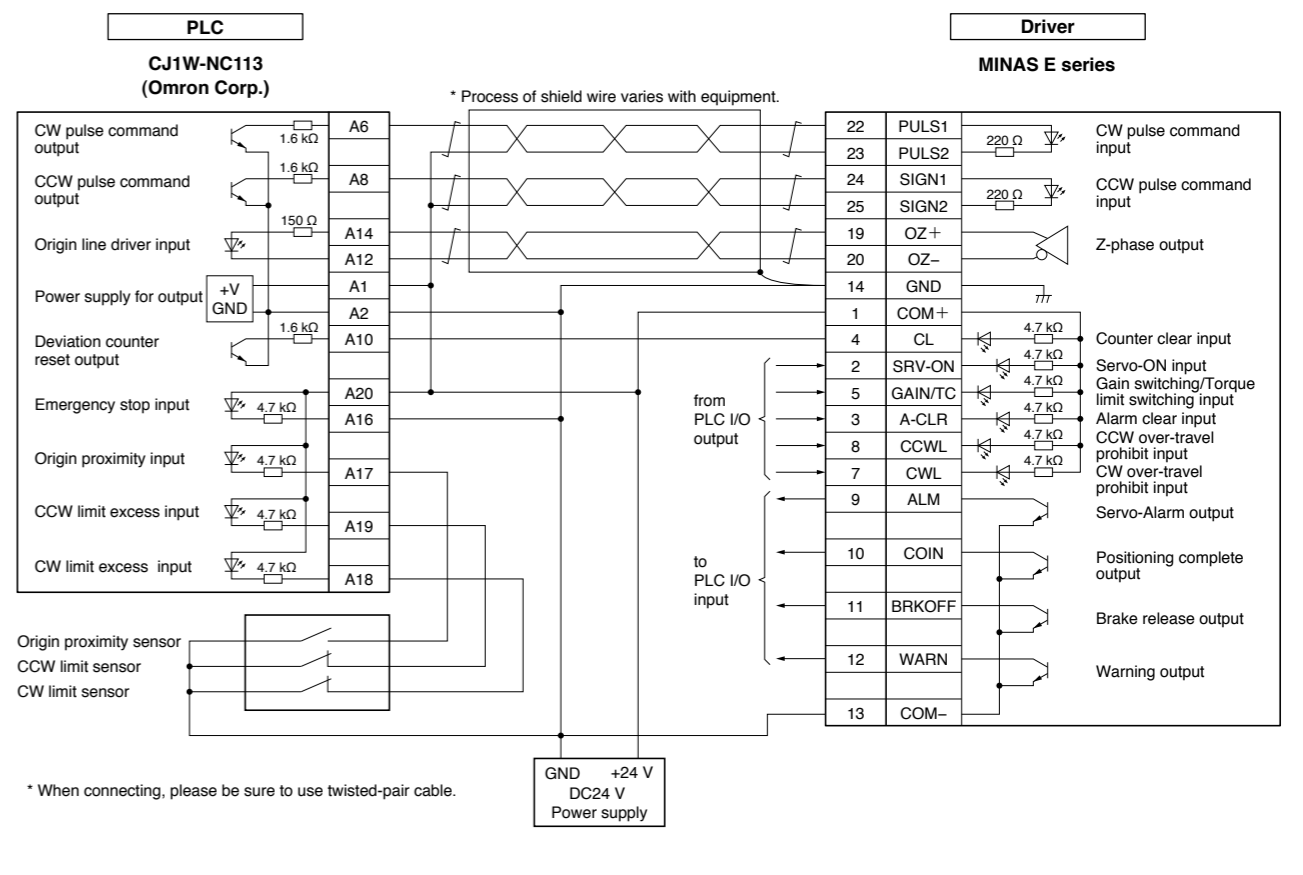




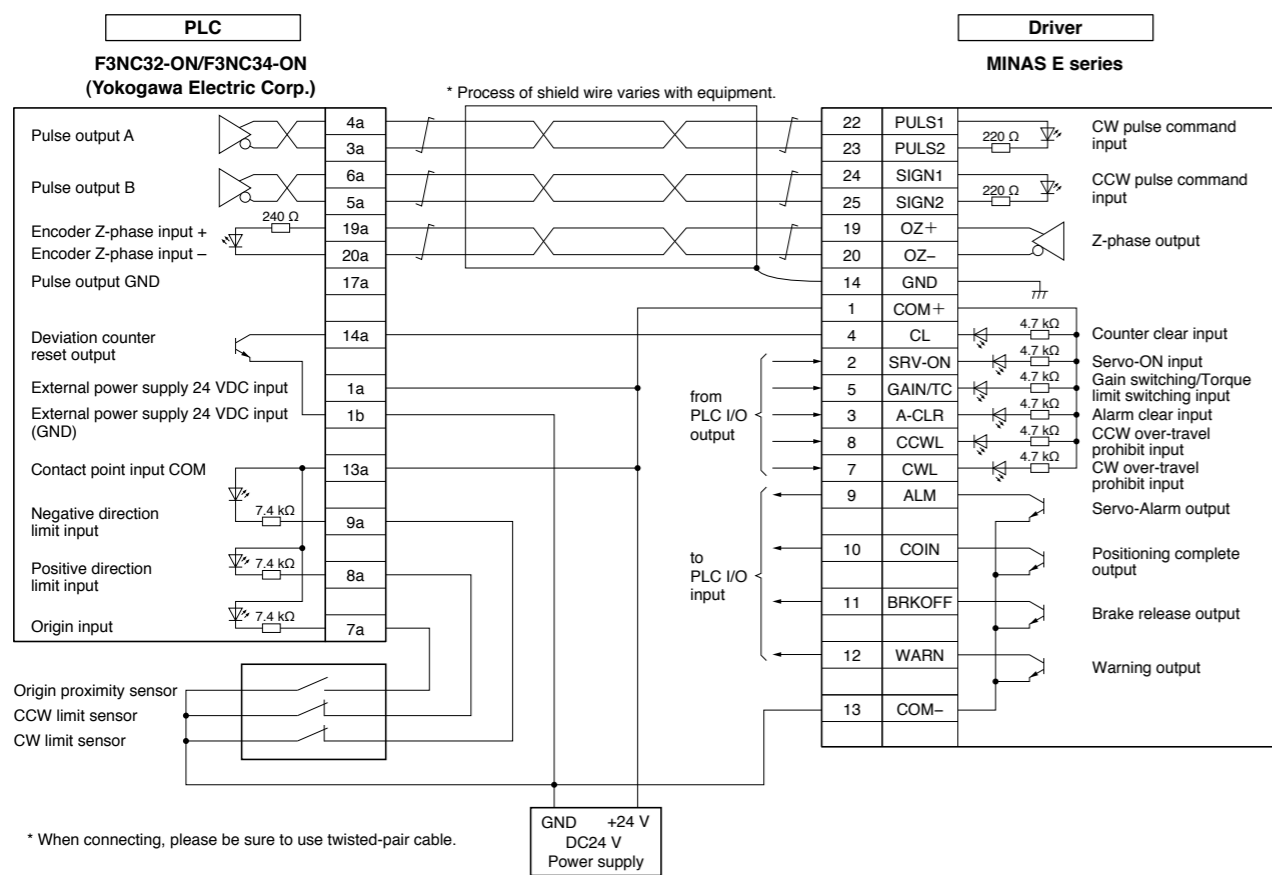
F3YP22-0P/F3YP24-0P/F3YP28-0P Connection with the Yokogawa Electric Corp.



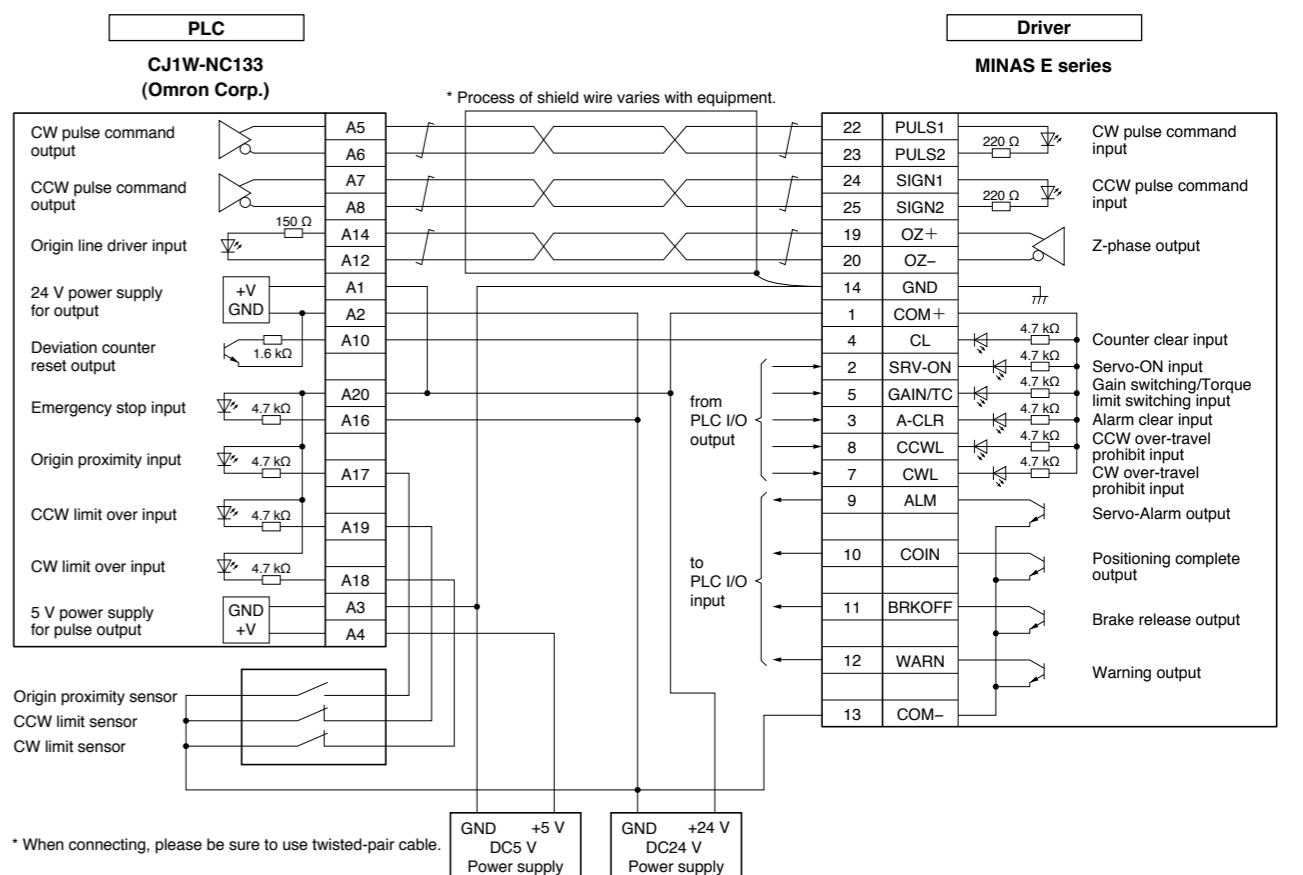
CJ1W-NC113 Connection with the Omron Corp.



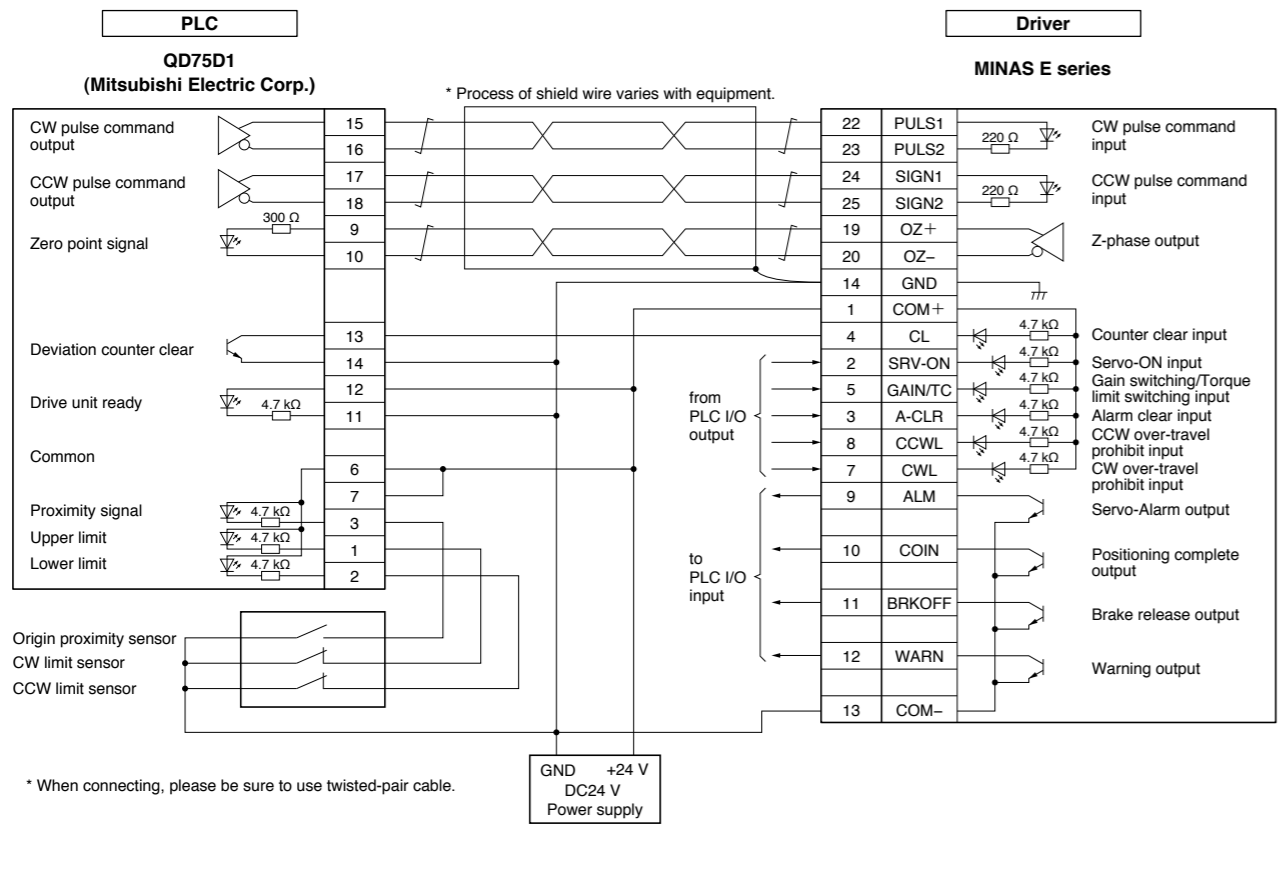
F3NC32-ON/F3NC34-ON Connection with the Yokogawa Electric Corp.



CJ1W-NC113 Connection with the Omron Corp.



QD75D1 Connection with the Mitsubishi Electric Corp.



DV0P		
Part No.	Title	Page
DV0P0770	Connector kit for external peripheral equipment	226
DV0P0800	Interface cable	227
DV0P1450	Surge absorber (3-phase)	240
DV0P1460	Ferite core for signal lines	240
DV0P1960	Communication cable	227
DV0P220	Reactor	196,229
DV0P221	Reactor	196
DV0P222	Reactor	196
DV0P223	Reactor	196
DV0P224	Reactor	196
DV0P225	Reactor	196
DV0P227	Reactor	196,229
DV0P228	Reactor	196,229
DV0P2870	Connector kit for power supply connection	225
DV0P2890	External regenerative resistor	228
DV0P2891	External regenerative resistor	228
DV0P2990	Battery for absolute encoder	194
DV0P3410	Noise filter	236
DV0P3670	Connector kit for motor/encoder connection	225
DV0P37300	Cable set (3 m)	224
DV0P3811	DIN rail mounting unit	228
DV0P39200	Cable set (5 m)	224
DV0P4120	Interface conversion cable	263
DV0P4121	Interface conversion cable	263
DV0P4130	Interface conversion cable	263
DV0P4131	Interface conversion cable	263
DV0P4132	Interface conversion cable	263
DV0P4160	Noise filter	240
DV0P4170	Noise filter	236
DV0P4190	Surge absorber (Single phase)	240
DV0P4220	Noise Filter	236
DV0P4280	External regenerative resistor: 50 Ω 25 W	197
DV0P4281	External regenerative resistor: 100 Ω 25 W	197
DV0P4282	External regenerative resistor: 25 Ω 50 W	197
DV0P4283	External regenerative resistor: 50 Ω 50 W	197
DV0P4284	External regenerative resistor: 30 Ω 100 W	197
DV0P4285	External regenerative resistor: 20 Ω 130 W	197
DV0P4290	Connector kit for motor/encoder connection	186
DV0P4310	Connector kit for motor/encoder connection	191
DV0P4320	Connector kit for motor/encoder connection	192
DV0P4330	Connector kit for motor/encoder connection	191
DV0P4340	Connector kit for motor/encoder connection	192
DV0P4350	Interface connector	184
DV0P4360	Interface cable	182
DV0P4420	Console	227
DV0P4430	Battery box	194
DV0P4460	Setup support software "PANATERM" for MINAS series AC servo motor & driver	222
DV0PM20010	Connector Kit: Encoder	184
DV0PM20024	Connector kit: RS485, 232	183
DV0PM20025	Connector kit: Safety	183
DV0PM20026	Connector kit: External scale	184
DV0PM20032	Connector for power supply input connection (A-frame to D-frame (Single row type))	185
DV0PM20033	Connector for power supply input connection (A-frame to D-frame (Double row type))	185
DV0PM20034	Connector for motor connection (A-frame to D-frame)	186
DV0PM20035	Connector kit for motor/encoder connection	187
DV0PM20036	Connector kit for motor/encoder connection	191
DV0PM20037	Connector kit for motor/encoder connection	192
DV0PM20038	Connector kit for motor/encoder connection	191
DV0PM20039	Connector kit for motor/encoder connection	192
DV0PM20040	Connector kit for motor/brake connection	193
DV0PM20042	Noise filter	236
DV0PM20043	Noise filter	236
DV0PM20044	Connector for power supply input connection (E-frame)	185
DV0PM20045	Connector for regenerative resistor (E-frame 200 V/400 V common)	185
DV0PM20046	Connector for motor connection (E-frame 200 V/400 V common)	186
DV0PM20047	Reactor	196
DV0PM20094	Safety by-pass plug	183

DV0P		
Part No.	Title	Page
DV0PM20100	Mounting bracket for A-frame and B-frame	195
DV0PM20101	Mounting bracket for C-frame and D-frame	195
DV0PM24581	Connector kit for motor/encoder connection	188
DV0PM24582	Connector kit for motor/encoder connection	188
DV0PM24583	Connector kit for motor/encoder connection	189
DV0PM24584	Connector kit for motor/encoder connection	190
DV0PM24585	Connector kit for motor/encoder connection	189
DV0PM24586	Connector kit for motor/encoder connection	190
DV0PM24587	Connector kit for motor/encoder connection	189
DV0PM24588	Connector kit for motor/encoder connection	190
DV0PM24589	Connector kit for motor/encoder connection	189
DV0PM24590	Connector kit for motor/encoder connection	190

MADL		
Part No.	Title	Page
MADLN01SE	A6SE series driver: A-frame	35,36
MADLN05SE	A6SE series driver: A-frame	35,36
MADLN11SE	A6SE series driver: A-frame	35,36
MADLN15SE	A6SE series driver: A-frame	35,36
MADLN01SF	A6SF series driver: A-frame	33,34
MADLN05SF	A6SF series driver: A-frame	33,34
MADLN11SF	A6SF series driver: A-frame	33,34
MADLN15SF	A6SF series driver: A-frame	33,34
MADLN01SG	A6SG series driver: A-frame	35,36
MADLN05SG	A6SG series driver: A-frame	35,36
MADLN11SG	A6SG series driver: A-frame	35,36
MADLN15SG	A6SG series driver: A-frame	35,36

MBDL		
Part No.	Title	Page
MBDLN21SE	A6SE series driver: B-frame	35,36
MBDLN25SE	A6SE series driver: B-frame	35,36
MBDLT21SF	A6SF series driver: B-frame	33,34
MBDLT25SF	A6SF series driver: B-frame	33,34
MBDLT21SG	A6SG series driver: B-frame	35,36
MBDLT25SG	A6SG series driver: B-frame	35,36

MCDL		
Part No.	Title	Page
MCDLN31SE	A6SE series driver: C-frame	35,36
MCDLN35SE	A6SE series driver: C-frame	35,36
MCDLT31SF	A6SF series driver: C-frame	33,34
MCDLT35SF	A6SF series driver: C-frame	33,34
MCDLT31SG	A6SG series driver: C-frame	35,36
MCDLT35SG	A6SG series driver: C-frame	35,36

MDDL		
Part No.	Title	Page
MDDLN45SE	A6SE series driver: D-frame	35,36
MDDLN55SE	A6SE series driver: D-frame	35,36
MDDLT45SF	A6SF series driver: D-frame	33,34
MDDLT55SF	A6SF series driver: D-frame	33,34
MDDLT45SG	A6SG series driver: D-frame	35,36
MDDLT55SG	A6SG series driver: D-frame	35,36

MDMF		
Part No.	Title	Page
MDMF102L1C5	MDMF 1.0 kW Absolute encoder	89
MDMF102L1C6	MDMF 1.0 kW Absolute encoder	89
MDMF102L1C6M	MDMF 1.0 kW Absolute encoder	148
MDMF102L1C7	MDMF 1.0 kW Absolute encoder	89
MDMF102L1C8	MDMF 1.0 kW Absolute encoder	89
MDMF102L1C8M	MDMF 1.0 kW Absolute encoder	148
MDMF102L1D5	MDMF 1.0 kW Absolute encoder	89
MDMF102L1D6	MDMF 1.0 kW Absolute encoder	89
MDMF102L1D6M	MDMF 1.0 kW Absolute encoder	148
MDMF102L1D7	MDMF 1.0 kW Absolute encoder	89
MDMF102L1D8	MDMF 1.0 kW Absolute encoder	89
MDMF102L1D8M	MDMF 1.0 kW Absolute encoder	148
MDMF102L1G5	MDMF 1.0 kW Absolute encoder	89
MDMF102L1G6	MDMF 1.0 kW Absolute encoder	89
MDMF102L1G6M	MDMF 1.0 kW Absolute encoder	148











# Index

(Alphabetical Order)

MSMF (Low inertia)		
Part No.	Title	Page
MSMF5AZL1A2M	MSMF 50 W 100 V/200 V common Absolute encoder	121
MSMF5AZL1B1	MSMF 50 W 100 V/200 V common Absolute encoder	51,52
MSMF5AZL1B2	MSMF 50 W 100 V/200 V common Absolute encoder	51,52
MSMF5AZL1B2M	MSMF 50 W 100 V/200 V common Absolute encoder	121
MSMF5AZL1C1	MSMF 50 W 100 V/200 V common Absolute encoder	51,52
MSMF5AZL1C2	MSMF 50 W 100 V/200 V common Absolute encoder	51,52
MSMF5AZL1C2M	MSMF 50 W 100 V/200 V common Absolute encoder	121
MSMF5AZL1D1	MSMF 50 W 100 V/200 V common Absolute encoder	51,52
MSMF5AZL1D2	MSMF 50 W 100 V/200 V common Absolute encoder	51,52
MSMF5AZL1D2M	MSMF 50 W 100 V/200 V common Absolute encoder	121
MSMF5AZL1S1	MSMF 50 W 100 V/200 V common Absolute encoder	51,52
MSMF5AZL1S2	MSMF 50 W 100 V/200 V common Absolute encoder	51,52
MSMF5AZL1S2M	MSMF 50 W 100 V/200 V common Absolute encoder	121
MSMF5AZL1T1	MSMF 50 W 100 V/200 V common Absolute encoder	51,52
MSMF5AZL1T2	MSMF 50 W 100 V/200 V common Absolute encoder	51,52
MSMF5AZL1T2M	MSMF 50 W 100 V/200 V common Absolute encoder	121
MSMF5AZL1U1	MSMF 50 W 100 V/200 V common Absolute encoder	51,52
MSMF5AZL1U2	MSMF 50 W 100 V/200 V common Absolute encoder	51,52
MSMF5AZL1U2M	MSMF 50 W 100 V/200 V common Absolute encoder	121
MSMF5AZL1V1	MSMF 50 W 100 V/200 V common Absolute encoder	51,52
MSMF5AZL1V2	MSMF 50 W 100 V/200 V common Absolute encoder	51,52
MSMF5AZL1V2M	MSMF 50 W 100 V/200 V common Absolute encoder	121

MUMA (Low inertia MINAS E series Motor)		
Part No.	Title	Page
MUMA011P1S	MUMA 100 W 100 V Incremental encoder	213,217
MUMA011P1T	MUMA 100 W 100 V Incremental encoder	213,217
MUMA012P1S	MUMA 100 W 200 V Incremental encoder	215,217
MUMA012P1T	MUMA 100 W 200 V Incremental encoder	215,217
MUMA021P1S	MUMA 200 W 100 V Incremental encoder	213,217
MUMA021P1T	MUMA 200 W 100 V Incremental encoder	213,217
MUMA022P1S	MUMA 200 W 200 V Incremental encoder	215,217
MUMA022P1T	MUMA 200 W 200 V Incremental encoder	215,217
MUMA042P1S	MUMA 400 W 200 V Incremental encoder	215,217
MUMA042P1T	MUMA 400 W 200 V Incremental encoder	215,217
MUMA5AZP1S	MUMA 50 W 100 V/200 V common Incremental encoder	213,215 217
MUMA5AZP1T	MUMA 50 W 100 V/200 V common Incremental encoder	213,215 217

MUMA (MINAS E series Motor with gear reducer)		
Part No.	Title	Page
MUMA011P31N		218,221
MUMA011P32N		218,221
MUMA011P34N	MUMA with reduction gear 100 W 100 V Incremental encoder	218,221
MUMA011P41N		218,221
MUMA011P42N		218,221
MUMA011P44N		218,221
MUMA012P31N		218,221
MUMA012P32N		218,221
MUMA012P34N	MUMA with reduction gear 100 W 200 V Incremental encoder	218,221
MUMA012P41N		218,221
MUMA012P42N		218,221
MUMA012P44N		218,221
MUMA021P31N		218,221
MUMA021P32N		218,221
MUMA021P34N	MUMA with reduction gear 200 W 100 V Incremental encoder	218,221
MUMA021P41N		218,221
MUMA021P42N		218,221
MUMA021P44N		218,221
MUMA022P31N		218,221
MUMA022P32N		218,221
MUMA022P34N	MUMA with reduction gear 200 W 200 V Incremental encoder	218,221
MUMA022P41N		218,221
MUMA022P42N		218,221
MUMA022P44N		218,221
MUMA042P31N		218,221
MUMA042P32N		218,221
MUMA042P34N	MUMA with reduction gear 400 W 200 V Incremental encoder	218,221
MUMA042P41N		218,221
MUMA042P42N		218,221
MUMA042P44N		218,221

# Sales Office

## [Panasonic Sales Office of Motors]

(December.01.2015)

Country	Company Name [Category]	City	Address	TEL	
				FAX	
U.S.A	Panasonic Industrial Devices Sales Company of America [Sales office]	New Jersey	Two Riverfront Plaza, 7th Floor Newark, NJ 07102-5490 U.S.A	+1-800-228-2350	
				—	
Brazil	Panasonic do Brazil [Sales office]	Sao Paulo	Avenida do Cafe, 277 Torre A-8 Andar Jabaquara ZIP Code: 04311-900 Sao Paulo SP Brazil	+55-11-3889-4022	
				+55-11-3889-4103	
Germany	Panasonic Industrial Devices Sales Europe GmbH [Sales office] [European Headquarter]	Munich	Hans-Pinsel-Strasse 2 · D · 85540 Haar · Germany	+49-89-46-159-0	
				e-mail	<a href="http://eu.industrial.panasonic.com/about-us/contact-us">http://eu.industrial.panasonic.com/about-us/contact-us</a>
				Web site	<a href="http://eu.industrial.panasonic.com/products/motors-compressors-pumps">http://eu.industrial.panasonic.com/products/motors-compressors-pumps</a>
	ghv Vertriebs-GmbH [Distributors]	Munich	Am Schammacher Feld 47 D-85567 Grafing b. Munich	+49(0)-80-92/81-89-0	
				e-mail	<a href="http://www.ghv.de/kontakt.html">http://www.ghv.de/kontakt.html</a>
				+49(0)-80-92/81-89-99	
Panasonic Electric Works Europe AG [Sales office] [European Headquarter]	Holzkirchen	Rudolf-Diesel-Ring 2, 83607 Holzkirchen, Deutschland	+49 (0) 8024 648-0		
			e-mail	<a href="https://www.panasonic-electric-works.com/eu/93.htm">https://www.panasonic-electric-works.com/eu/93.htm</a>	
			Web site	<a href="https://www.panasonic-electric-works.com/eu/index.htm">https://www.panasonic-electric-works.com/eu/index.htm</a>	
Panasonic Electric Works Europe AG [Subsidiary]	Holzkirchen	Rudolf-Diesel-Ring 2, 83607 Holzkirchen, Deutschland	+49 (0) 8024 648-0		
			e-mail	<a href="https://www.panasonic-electric-works.com/eu/93.htm">https://www.panasonic-electric-works.com/eu/93.htm</a>	
			Web site	<a href="https://www.panasonic-electric-works.com/eu/index.htm">https://www.panasonic-electric-works.com/eu/index.htm</a>	
France	Panasonic Electric Works Sales Western Europe B.V. [Sales office]	Verrières-Le-Buisson	10, rue des petits ruisseaux, 91370 Verrières-Le-Buisson, France	+33(0)160135757	
				e-mail	<a href="https://www.panasonic-electric-works.com/eu/93.htm">https://www.panasonic-electric-works.com/eu/93.htm</a>
				Web site	<a href="https://www.panasonic-electric-works.com/eu/index.htm">https://www.panasonic-electric-works.com/eu/index.htm</a>
Italy	Panasonic Electric Works Italia srl [Subsidiary]	Verona	Via del Commercio 3-5 (Z.I.Ferlina), 37012 Bussolengo (VR), Italy	+39-045-6752711	
				e-mail	<a href="https://www.panasonic-electric-works.com/eu/93.htm">https://www.panasonic-electric-works.com/eu/93.htm</a>
				Web site	<a href="https://www.panasonic-electric-works.com/eu/322.htm">https://www.panasonic-electric-works.com/eu/322.htm</a>
	Lenze Italia S.r.l. [Distributors]	Milano	Viale Monza 338 20128 Milano	+39-02-270-98-1	
				e-mail	<a href="mailto:mail@lenzeitalia.it">mail@lenzeitalia.it</a>
				Web site	<a href="http://www.lenze.com/it-it/azienda/lenze-in-italia/">http://www.lenze.com/it-it/azienda/lenze-in-italia/</a>
United Kingdom	Panasonic Electric Works UK Ltd. [Sales office]	Milton Keynes	Sunrise Parkway, Linford Wood Milton Keynes, MK14 6LF United Kingdom	+44(0)1908231599	
				e-mail	<a href="https://www.panasonic-electric-works.com/eu/93.htm">https://www.panasonic-electric-works.com/eu/93.htm</a>
				Web site	<a href="https://www.panasonic-electric-works.com/eu/index.htm">https://www.panasonic-electric-works.com/eu/index.htm</a>
	Lenze Limited [Distributors]	Bedford	Priory Business Park, Bedford, MK44 3WH.	+44-1234-7532-00	
				e-mail	<a href="mailto:uk.sales@lenze.com">uk.sales@lenze.com</a>
				Web site	<a href="http://www.lenze.com/en-gb/about-lenze/lenze-in-united-kingdom/">http://www.lenze.com/en-gb/about-lenze/lenze-in-united-kingdom/</a>
Austria	Panasonic Electric Works Austria GmbH [Sales office]	Biedermansdorf	Josef Madersperger Strasse 2, 2362 Biedermansdorf (Vienna), Austria	+43(0)2236-26846	
				e-mail	<a href="https://www.panasonic-electric-works.com/eu/93.htm">https://www.panasonic-electric-works.com/eu/93.htm</a>
				Web site	<a href="https://www.panasonic-electric-works.com/eu/index.htm">https://www.panasonic-electric-works.com/eu/index.htm</a>
Polska	Panasonic Electric Works Polska sp. z.o.o. [Sales office]	Warszawa	ul. Woloska 9a, 02-583 Warszawa	+48(0)22338-11-33	
				e-mail	<a href="https://www.panasonic-electric-works.com/eu/93.htm">https://www.panasonic-electric-works.com/eu/93.htm</a>
				Web site	<a href="https://www.panasonic-electric-works.com/eu/index.htm">https://www.panasonic-electric-works.com/eu/index.htm</a>
Nederland	Panasonic Electric Works Sales Western Europe B.V. [Sales office]	PJ Best	De Rijn 4 (Postbus 211), 5684 PJ Best, Nederland	+31(0)499372727	
				e-mail	<a href="https://www.panasonic-electric-works.com/eu/93.htm">https://www.panasonic-electric-works.com/eu/93.htm</a>
				Web site	<a href="https://www.panasonic-electric-works.com/eu/index.htm">https://www.panasonic-electric-works.com/eu/index.htm</a>

A6 Family

E Series

Information



# Sales Office

Country	Company Name [Category]	City	Address	TEL	
				FAX	
Czech Republic	Panasonic Electric Works Czech s.r.o. [Sales office]	Brno	Veveří 3163/111, 616 00 Brno, Czech	+420(0)541217001	
				+420(0)541217101	
				e-mail <a href="https://www.panasonic-electric-works.com/eu/93.htm">https://www.panasonic-electric-works.com/eu/93.htm</a>	
			Web site <a href="https://www.panasonic-electric-works.com/eu/index.htm">https://www.panasonic-electric-works.com/eu/index.htm</a>		
Spain	Panasonic Electric Works Espana S.A. [Subsidiary]	Madrid	Barajas Park, San Severo 20, 28042 Madrid, Spain	+34-91-329-3875	
				+34-91-329-2976	
				e-mail <a href="https://www.panasonic-electric-works.com/eu/93.htm">https://www.panasonic-electric-works.com/eu/93.htm</a>	
			Web site <a href="https://www.panasonic-electric-works.com/eu/322.htm">https://www.panasonic-electric-works.com/eu/322.htm</a>		
Romania	C.I.T. Automatizari SRL [Distributors]	Bucuresti	sos. Bucuresti, nr.63, Ciorogirla, Ilfov, RO-077055, ROMANIA	+40-21-255-0543	
				+40-21-255-0544	
				e-mail <a href="mailto:office@citautomatizari.ro">office@citautomatizari.ro</a>	
			Web site <a href="http://www.citautomatizari.ro">http://www.citautomatizari.ro</a>		
Hungary	Panasonic Electric Works Hungary [Sales office]	Budapest	Neumann J. u. 1., 1117 Budapest, Hungary	+36(0)19998926	
				+36(0)19998927	
				e-mail <a href="https://www.panasonic-electric-works.com/eu/93.htm">https://www.panasonic-electric-works.com/eu/93.htm</a>	
			Web site <a href="https://www.panasonic-electric-works.com/eu/index.htm">https://www.panasonic-electric-works.com/eu/index.htm</a>		
Switzerland	Panasonic Electric Works Schweiz AG [Sales office]	Rotkreuz	Grundstrasse 8, 6343 Rotkreuz, Switzerland	+33(0)417997050	
				+31(0)417997055	
				e-mail <a href="https://www.panasonic-electric-works.com/eu/93.htm">https://www.panasonic-electric-works.com/eu/93.htm</a>	
			Web site <a href="https://www.panasonic-electric-works.com/eu/index.htm">https://www.panasonic-electric-works.com/eu/index.htm</a>		
Russia	Electroprivod Ltd. [Distributors]	St.Petersburg	Office 417, litera 43, Polustrovskiy avenue, Saint-Petersburg, Russia	+7-812-703-09-81	
				+7-812-493-27-26	
				Web site <a href="http://www.electroprivod.ru">http://www.electroprivod.ru</a>	
Turkey	BOSTEK TEKNOLOJI GELISTIRME VE ROBOT SIST.SAN.TIC.A.S [Distributors]	Izmir	10042 SOK.NO:10 A.O.S.B CIGLI-IZMIR, TURKEY	+90 232 433 8515	
				+90 232 433 8881	
				e-mail <a href="mailto:sales@bostek.com.tr">sales@bostek.com.tr</a>	
				Web site <a href="http://www.bostek.com.tr/">http://www.bostek.com.tr/</a>	
	Savior Kontrol Otomasyon [Distributors]	Istanbul	Des Sanayi Sitesi 104 Sokak A07 Blok No:02 Yukari Dudullu Ümraniye İstanbul Turkey	+90-216-466-3683	
				+90-216-466-3685	
e-mail <a href="mailto:info@savior.com.tr">info@savior.com.tr</a>					
			Web site <a href="http://www.savior.com.tr/">http://www.savior.com.tr/</a>		
China	Panasonic Industrial Devices Sales (Hong Kong) Co.,Ltd. (PIDSHK) [Sales office]	Hong kong	Top Floor, South Wing, ChinaChem Gloden Plaza, 77 Mody Road, S.T.S. East, Kowloon, HongKong	+852-2529-7322	
				+852-2598-9743	
				Panasonic Industrial Devices Sales (China) Co.,Ltd. (PIDSCN) [Sales office]	Shanghai
+86-21-3855-2375					
				+86-755-8255-8791	
India	Industrial Division, Panasonic India Pvt Ltd. [Sales office]	Gurgaon, Haryana	12th Floor, Ambience Commercial, Behind Ambience Mall, Gurgaon - 122002, Haryana, India	+91-124-6670400	
				+91-124-6670338	
				Web site <a href="http://industrial.panasonic.com/sa/products/motors-compressors/fa-motors">http://industrial.panasonic.com/sa/products/motors-compressors/fa-motors</a>	
	Lubi Electronics [Distributors]	Gandhinaga, Gujarat	Sardar Patel Ring Road, Near Bright School, Nana Chiloda, Dist.: Gandhinagar - 382330, Gujarat, India	+91-79-39845300	
				+91-79-39845599	
				Web site <a href="http://www.lubielelectronics.com">http://www.lubielelectronics.com</a>	
	Luna Bearings [Distributors]	Mumbai, Maharashtra	59, Bibijan Street, 2nd Floor, Moiz Manzil, Mumbai - 400003, Maharashtra, India	+91-22-23455052	
				+91-22-23427773	
			Web site <a href="http://www.lunabearings.com">http://www.lunabearings.com</a>		
Vashi Electricals Pvt. Ltd. [Distributors]	Mumbai, Maharashtra	A/6, Plot No.74, Shree Ganesh Complex, Behind Gupta Compound, Dapole Road, Mankoli Naka, Bhiwandi - 421305, Maharashtra, India	+91-2522-661600		
			+91-2522-661620		
			Web site <a href="http://www.vashielelectricals.com">http://www.vashielelectricals.com</a>		

Country	Company Name [Category]	City	Address	TEL
				FAX
Korea	Panasonic Industrial Devices Sales Korea Co., Ltd. (PIDSKR) [Sales office]	Seoul	6F DONG-IL Tower 38, Teheran-ro 114-gil, Gangnam-gu, Seoul, 135-851, Korea	+82-2-795-9600
				+82-2-2052-1053
Taiwan	Panasonic Industrial Devices Sales Taiwan Co.,Ltd. [Sales office]	Taipei	12F, No.9, SongGao Rd., Taipei 110, Taiwan, R.O.C.	+886-2-2757-1900
				+886-2-2757-1977
Singapore	Panasonic Industrial Devices Sales Asia Pte.Ltd. [Sales office]	Singapore	No.3 Bedok South Road Singapore 469269	+65-6390-3718
				+65-9435-6844
Singapore	Intermech Machinery Pte.Ltd. [Distributors]	Singapore	2 Woodlands Sector 1 #03-25, Woodlands Spectrum 1 Singapore 738068	+65-6751-5088
				+65-6759-2122
			Web site <a href="http://www.intermech.com.sg">http://www.intermech.com.sg</a>	
Malaysia	Panamech Machinery Sdn Bhd [Distributors]	Kuala Lumpur	No.14, Lorong Sanggul 1C, Bandar Puteri, 41200 Klang, Selangor Darul Ehsan	+60-3-5161-7876
				+60-3-5161-7136
			Web site <a href="http://panamech.com.my/">http://panamech.com.my/</a>	
Malaysia	Panamech (PG) Sdn Bhd [Distributors]	Penang	Sri Relau Komplex, Unit 1-3-11, Persiaran Bukit Jambul 1, 11900 Penang	+60-4-643-8266
				+60-4-645-1639
			Web site <a href="http://panamech.com.my/">http://panamech.com.my/</a>	
Thailand	Premier Automation Center Co.,Ltd. [Distributors]	Bangkok	73 Soi Ladkrabang 30 Ladkrabang Ladkrabang Bangkok 10520	+66-2181-2299
				+66-2181-2288
			Web site <a href="http://www.premier-ac.co.th">http://www.premier-ac.co.th</a>	
Thailand	Plenty Island (Thai) Co.,Ltd. [Distributors]	Bangkok	3 Soi Charoenrat 10, Charoenrat Road., Bangkoklo, Bangkoklaem, Bangkok 10120	+66-2291-9933
				+66-2291-2065
			Web site <a href="http://www.plenty.co.th">http://www.plenty.co.th</a>	
Indonesia	PT. Handal Yesindo Sejahtera [Distributors]	Surabaya	Jl. Raya Kutasari 8A, Surabaya, Indonesia	+62-31-843-8844
				+62-31-841-4333
			Web site <a href="http://www.handalyesindo.com">http://www.handalyesindo.com</a>	
Indonesia	PT.Riasarana Electrindo [Distributors]	Jakarta	Jl. Prof. Dr. Latumenten Grogol Permai blok D No. 8-15 Jakarta 11460, Indonesia	+62-21-564-9178
				+62-21-566-7405
			Web site <a href="http://www.risacorps.com">http://www.risacorps.com</a>	
Philippines	Movaflex Designs Unlimited, Inc. [Distributors]	Manila	136 Cabayog Street, Mandaluyong City, Metro Manila, Philippines.	+63-2-881-3636
				+63-2-998-3881
			Web site <a href="http://www.movaflex.com/">http://www.movaflex.com/</a>	

A6 Family

E Series

Information

South-eastern Asia