



**Terminal block, 1 pole, 80A, 6 output terminals**

**Part no. BPZ-KB-4/80**

**Catalog No. 289969**

**EL-Nummer (Norway) 2456093**

### Delivery program

Mounting type			Floor standing distribution board Surface mounted Flush mounted
Degree of Protection			IP20
Mounting position			universal
Number of poles			1 pole
Width		mm	27
Depth		mm	46
Height		mm	65
Number of clamping units per pole			7
Rated device current		A	80

### Technical data

#### General

Standards			IEC 60 947 -7 -1 UL 1059
RoHS (in accordance with Directive 2002/95/EC of the European Parliament and Council)			conform
Heat deflection temperature		°C	100
UL 94 flame classification			V-0
Comparative tracking index		V	600
Degree of Protection			IP20
Assembly details			Clicks on DIN-rail or on base plate. Save time on wiring. Save 80% on space used. Modular construction, 1-4 pole Systems can be built with several blocks.

#### Electrical

IEC			
Max. electrical load / Cu		A	80
Max. operating voltage / Cu		V AC	1000
Max. operating voltage / Cu		V DC	1500
UL			
Max. electrical load / Cu		A	80
Max. operating voltage / Cu		V AC	600
CSA			
Max. electrical load / Cu		A	80
Max. operating voltage / Cu		V AC	600
Rated peak withstand current	$I_{pk}$	kA	2.7
Rated short-time withstand current (t=1s)	$I_{cw}$	kA	1.9

#### Material characteristics

Material			
Clamping body			Brass
Housing			PA66
Hexagon socket set screw			Steel
Surface finish			
Clamping body			Plain
Hexagon socket set screw			Zn-Plated
Colour			
Housing			grey, RAL 7035

## Terminal capacity

Incomer		
single wire/multi wire	mm <sup>2</sup>	2,5 - 16
single wire/multi wire	AWG	14 - 4
fine wire (with sleeve)	mm <sup>2</sup>	2.5 - 16
fine wire (with sleeve)	AWG	14 - 4
Torque	N/m	1.5 - 3
Torque	lbf	13.2 - 26.5
Outgoings		
single wire/multi wire	mm <sup>2</sup>	2.5 - 6 2.5 - 16
single wire/multi wire	AWG	14 - 10 14 - 6
fine wire (with sleeve)	mm <sup>2</sup>	2.5 - 6 2.5 - 16
fine wire (with sleeve)	AWG	14 - 10 14 - 6
Torque	N/m	0.8 - 1.5 1.5 - 3
Torque	lbf	7 - 13.2 13.2 - 26.5

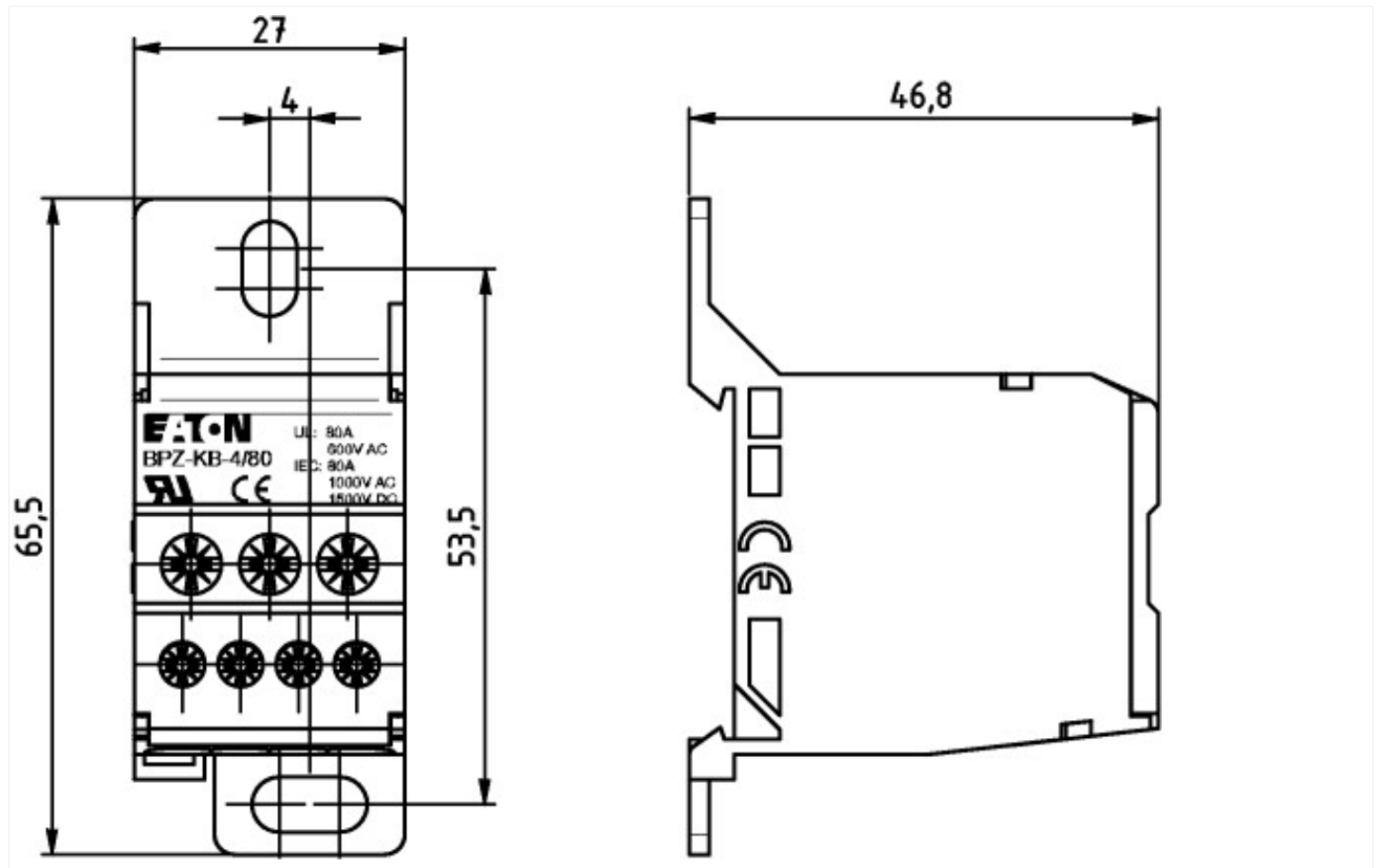
## Technical data ETIM 7.0

Energy distribution systems (EG000015) / Distributor assembly terminal blocks (EC001894)

Electric engineering, automation, process control engineering / Electrical insulation and connecting material / Energy distribution system / Distributor assembly terminal blocks  
(ecl@ss10.0.1-27-40-06-09 [AC0381011])

Height	mm	65.5
Width	mm	27
Depth	mm	46.8
Max. rated current	A	80
Number of poles		1
Conductor cross section flexible (fine-strand) with cable end sleeve	mm <sup>2</sup>	2.5 - 16
Conductor cross section solid (solid, stranded)	mm <sup>2</sup>	2.5 - 16
Number of clamp positions per pole		7
With PE-rail		No
With N-rail		No

## Dimensions



## Additional product information (links)

Product overview (Web)

<http://www.eaton.eu/Europe/Electrical/ProductsServices>