




Base module;250-mm aluminum tube and foot

Part no. **SL4-PIB-250**  
 Catalog No. **171298**  
 Alternate Catalog No. **SL4-PIB-250**  
 EL-Nummer (Norway) **4137534**

### Delivery program

Product range		SL signal towers
Basic function		Base module
Connection technique		Push in terminals
Mounting type		for horizontal mounting
Fitted with		Base with aluminium tube and plastic foot including cover
Tube length		250 mm
Number of modules		max. 5 modules
<b>Colour</b>		
		black Aluminum color tube
		
For use with		SL4-L-... SL4-BL-... SL4-FL-... SL4-AP-...
Connection to SmartWire-DT		no

### Technical data

#### General

Standards		IEC/EN 60947-5-1
Climatic proofing		Damp heat, cyclic, to IEC 60068-2-30
Mounting position		As required
Mechanical shock resistance	g	> 15 according to IEC 60068-2-27 Shock duration 11 ms Sinusoidal
IEC degree of protection		IP66 IEC/EN 60529
Protection type UL		Type 4, 4X, 13
Cap colour		black Aluminum color tube
Ambient temperature	°C	-30 - +60
Number of signal elements		Max. 5 with standard base

Terminal capacity			Max. 10 with base for mounting on both sides
Solid or flexible conductor		mm <sup>2</sup>	0.2 - 1.5
Solid or flexible conductor, with ferrule		mm <sup>2</sup>	0,25 - 1,5
Flexible with ferrule with plastic collar		mm <sup>2</sup>	0.25 - 0.75
			AWG 24 - AWG 16

## Contacts

Rated impulse withstand voltage	U <sub>imp</sub>	V AC	4000
Rated insulation voltage	U <sub>i</sub>	V	250
Overvoltage category/pollution degree			III/3

## modules

Voltage range			24 V AC/DC ± 10 % 110/120 V AC ± 10 % 230/240 V AC ± 10 %
---------------	--	--	---

## Design verification as per IEC/EN 61439

Technical data for design verification			
Operating ambient temperature min.		°C	-30
Operating ambient temperature max.		°C	60

## Technical data ETIM 7.0

Low-voltage industrial components (EG000017) / Connection module for signal tower (EC001152)

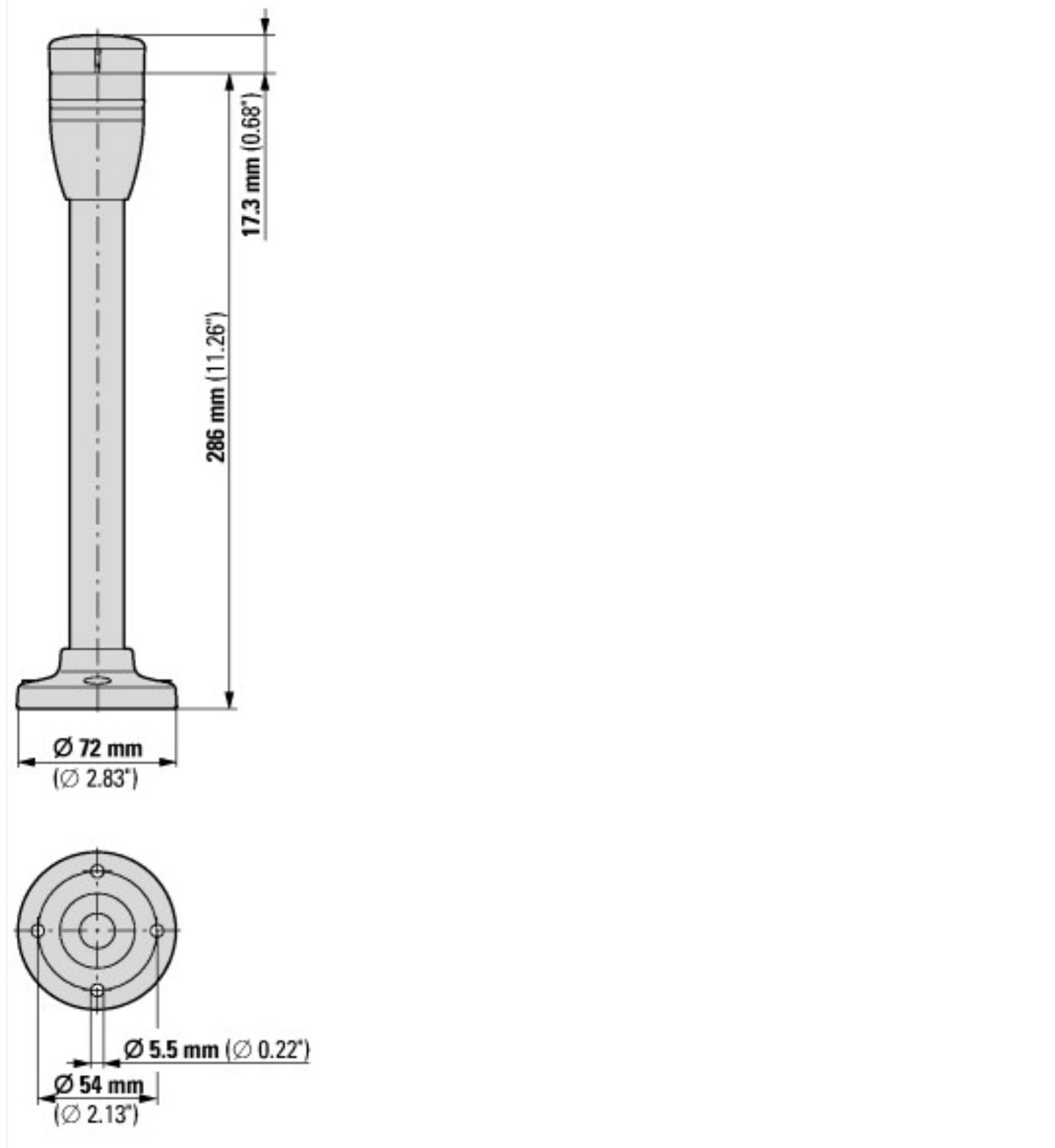
Electric engineering, automation, process control engineering / Low-voltage switch technology / Command and alarm device / Signal column element, connection module  
(ecI@ss10.0.1-27-37-12-32 [AKF050014])

Connection type auxiliary circuit			Spring clamp connection
Tube mounting possible			No
Bracket mounting possible			Yes
Floor mounting possible			Yes
Colour			Other
Suitable for AS interface			No

## Approvals

Product Standards			IEC/EN 60947-5-1; UL 508; CSA-C22.2 No. 14-10; CSA-C22.2 No. 94-91; CE marking
UL File No.			E29184
UL Category Control No.			NKCR
CSA File No.			UL report applies to both US and Canada
CSA Class No.			NKCR7
North America Certification			UL listed, certified by UL for use in Canada
Degree of Protection			UL Type 4, 4X, 13

## Dimensions



## Assets (links)

### Declaration of CE Conformity

00002899

### Instruction Leaflets

IL047001ZU2018\_05

## Additional product information (links)

### IL047001ZU Signal Towers SL4: Main instruction

IL047001ZU Signal Towers SL4: Main instruction

[ftp://ftp.moeller.net/DOCUMENTATION/AWA\\_INSTRUCTIONS/IL047001ZU2018\\_05.pdf](ftp://ftp.moeller.net/DOCUMENTATION/AWA_INSTRUCTIONS/IL047001ZU2018_05.pdf)

### IL047002ZU Signal Towers SL4: Drill pattern

IL047002ZU Signal Towers SL4: Drill pattern

[ftp://ftp.moeller.net/DOCUMENTATION/AWA\\_INSTRUCTIONS/IL047002ZU2018\\_05.pdf](ftp://ftp.moeller.net/DOCUMENTATION/AWA_INSTRUCTIONS/IL047002ZU2018_05.pdf)

