
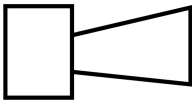
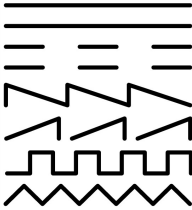




Acoustic module;120 V;multi-tone

Part no. SL7-AP120-M
Catalog No. 171288
Alternate Catalog No. SL7-AP120-M
EL-Nummer (Norway) 4137636

Delivery program

| | | | |
|----------------------------|-------|----|--|
| Product range | | | SL signal towers |
| Basic function | | | Acoustic module |
| Degree of Protection | | | IP66 |
| Rated operational voltage | U_e | V | 110/120 V AC |
| Rated operational current | I_e | mA | 45 |
| Description | | | Multi-tone; 8 tones, adjustable with internal dip switch. Sound pressure 100 db, adjustable with internal potentiometer. $f = 500 - 2700$ Hz Place only at the highest position on a pole |
| Colour | | |  |
| Function | | |   |
| Connection to SmartWire-DT | | | no |

Technical data

General

| | | | |
|-----------------------------|--|----|---|
| Standards | | | IEC/EN 60947-5-1 |
| Climatic proofing | | | Damp heat, cyclic, to IEC 60068-2-30 |
| Mounting position | | | As required |
| Mechanical shock resistance | | g | > 15 according to IEC 60068-2-27 Shock duration 11 ms Sinusoidal |
| IEC degree of protection | | | IP66 IEC/EN 60529 |
| Protection type UL | | | Type 4, 4X, 13 |
| Material | | | Enclosure: Polycarbonate (PC), black Cap: Polycarbonate (PC) |
| Ambient temperature | | °C | -30 - +60 |
| Weight | | g | 102 |

Contacts

| | | | |
|---------------------------------------|-----------|------|-------|
| Rated impulse withstand voltage | U_{imp} | V AC | 4000 |
| Rated insulation voltage | U_i | V | 250 |
| Overvoltage category/pollution degree | | | III/3 |

modules

| | | | |
|-----------------|--|---|---|
| Leakage current | | A | < 0.003 |
| Type of tone | | | Continuous or pulsed tone 8 types of sound |

| Types of sound | | | 8 versions, table of sound types | | | | | | | | | | | | | | | | | | | | | | | | | | | | | | | | | | | | | | | | | | | | | | | | | | | | | | | | | | | | | | | |
|---|---------------------|--------------|---|-----------------------|-------------------------------|----------------|---------|-------------|---------------------|----------------|-----------------|----|------|--|---|---|-----|-----------------|----|------|--|---|---|-----|-------------|----|------|--|-----------------------|---|-----|-------------|----|------|--|-----------------------|---|-----|---------|----|------------|--|------|-------------------------------|----|--------|----|------------|--|-----------------------|-----------------------|----|-------------|----|------------|--|------|---|----|----------------|----|------------|--|-------|---|----|
| Sound setting | | | Internal; 3 pole DIP | | | | | | | | | | | | | | | | | | | | | | | | | | | | | | | | | | | | | | | | | | | | | | | | | | | | | | | | | | | | | | | |
| Table of sound types | | | <p>Table of sound types</p> <table border="1"> <thead> <tr> <th>Sound type</th> <th>DIP switch settings</th> <th>Frequency Hz</th> <th>Diagram</th> <th>Repeat rate</th> <th>Special application</th> <th>Max. volume dB</th> </tr> </thead> <tbody> <tr> <td>Continuous tone</td> <td>ON</td> <td>2700</td> <td></td> <td>-</td> <td>-</td> <td>100</td> </tr> <tr> <td>Continuous tone</td> <td>ON</td> <td>1350</td> <td></td> <td>-</td> <td>-</td> <td>100</td> </tr> <tr> <td>Pulsed tone</td> <td>ON</td> <td>2700</td> <td></td> <td>250 ms on, 250 ms off</td> <td>-</td> <td>100</td> </tr> <tr> <td>Pulsed tone</td> <td>ON</td> <td>1350</td> <td></td> <td>250 ms on, 250 ms off</td> <td>-</td> <td>100</td> </tr> <tr> <td>falling</td> <td>ON</td> <td>1200 - 500</td> <td></td> <td>1 Hz</td> <td>Evacuation Germany, DIN3304-3</td> <td>98</td> </tr> <tr> <td>Rising</td> <td>ON</td> <td>500 - 1200</td> <td></td> <td>Rising 3 s, 0.5 s off</td> <td>Netherlands 2575:2000</td> <td>98</td> </tr> <tr> <td>Alternating</td> <td>ON</td> <td>800 - 1000</td> <td></td> <td>2 Hz</td> <td>-</td> <td>94</td> </tr> <tr> <td>rising/falling</td> <td>ON</td> <td>500 - 1500</td> <td></td> <td>10 Hz</td> <td>-</td> <td>94</td> </tr> </tbody> </table> | Sound type | DIP switch settings | Frequency Hz | Diagram | Repeat rate | Special application | Max. volume dB | Continuous tone | ON | 2700 | | - | - | 100 | Continuous tone | ON | 1350 | | - | - | 100 | Pulsed tone | ON | 2700 | | 250 ms on, 250 ms off | - | 100 | Pulsed tone | ON | 1350 | | 250 ms on, 250 ms off | - | 100 | falling | ON | 1200 - 500 | | 1 Hz | Evacuation Germany, DIN3304-3 | 98 | Rising | ON | 500 - 1200 | | Rising 3 s, 0.5 s off | Netherlands 2575:2000 | 98 | Alternating | ON | 800 - 1000 | | 2 Hz | - | 94 | rising/falling | ON | 500 - 1500 | | 10 Hz | - | 94 |
| Sound type | DIP switch settings | Frequency Hz | Diagram | Repeat rate | Special application | Max. volume dB | | | | | | | | | | | | | | | | | | | | | | | | | | | | | | | | | | | | | | | | | | | | | | | | | | | | | | | | | | | | |
| Continuous tone | ON | 2700 | | - | - | 100 | | | | | | | | | | | | | | | | | | | | | | | | | | | | | | | | | | | | | | | | | | | | | | | | | | | | | | | | | | | | |
| Continuous tone | ON | 1350 | | - | - | 100 | | | | | | | | | | | | | | | | | | | | | | | | | | | | | | | | | | | | | | | | | | | | | | | | | | | | | | | | | | | | |
| Pulsed tone | ON | 2700 | | 250 ms on, 250 ms off | - | 100 | | | | | | | | | | | | | | | | | | | | | | | | | | | | | | | | | | | | | | | | | | | | | | | | | | | | | | | | | | | | |
| Pulsed tone | ON | 1350 | | 250 ms on, 250 ms off | - | 100 | | | | | | | | | | | | | | | | | | | | | | | | | | | | | | | | | | | | | | | | | | | | | | | | | | | | | | | | | | | | |
| falling | ON | 1200 - 500 | | 1 Hz | Evacuation Germany, DIN3304-3 | 98 | | | | | | | | | | | | | | | | | | | | | | | | | | | | | | | | | | | | | | | | | | | | | | | | | | | | | | | | | | | | |
| Rising | ON | 500 - 1200 | | Rising 3 s, 0.5 s off | Netherlands 2575:2000 | 98 | | | | | | | | | | | | | | | | | | | | | | | | | | | | | | | | | | | | | | | | | | | | | | | | | | | | | | | | | | | | |
| Alternating | ON | 800 - 1000 | | 2 Hz | - | 94 | | | | | | | | | | | | | | | | | | | | | | | | | | | | | | | | | | | | | | | | | | | | | | | | | | | | | | | | | | | | |
| rising/falling | ON | 500 - 1500 | | 10 Hz | - | 94 | | | | | | | | | | | | | | | | | | | | | | | | | | | | | | | | | | | | | | | | | | | | | | | | | | | | | | | | | | | | |
| Sound pressure | | dB | 100 | | | | | | | | | | | | | | | | | | | | | | | | | | | | | | | | | | | | | | | | | | | | | | | | | | | | | | | | | | | | | | | |
| Sound pressure level adjustment | | | Built-in, potentiometer | | | | | | | | | | | | | | | | | | | | | | | | | | | | | | | | | | | | | | | | | | | | | | | | | | | | | | | | | | | | | | | |
| Sound_pressure_can_be_lowered_to_a_minimum_of | | | 88 dB | | | | | | | | | | | | | | | | | | | | | | | | | | | | | | | | | | | | | | | | | | | | | | | | | | | | | | | | | | | | | | | |
| Transmission angle | | | 360° | | | | | | | | | | | | | | | | | | | | | | | | | | | | | | | | | | | | | | | | | | | | | | | | | | | | | | | | | | | | | | | |
| Current-/power consumption | | | | | | | | | | | | | | | | | | | | | | | | | | | | | | | | | | | | | | | | | | | | | | | | | | | | | | | | | | | | | | | | | | |
| at 110/120 V AC | | A | 0.045 | | | | | | | | | | | | | | | | | | | | | | | | | | | | | | | | | | | | | | | | | | | | | | | | | | | | | | | | | | | | | | | |
| Voltage range | | | 110/120 V AC ± 10 % | | | | | | | | | | | | | | | | | | | | | | | | | | | | | | | | | | | | | | | | | | | | | | | | | | | | | | | | | | | | | | | |

Design verification as per IEC/EN 61439

| | | | |
|--|--|----|-----|
| Technical data for design verification | | | |
| Operating ambient temperature min. | | °C | -30 |
| Operating ambient temperature max. | | °C | 60 |

Technical data ETIM 7.0

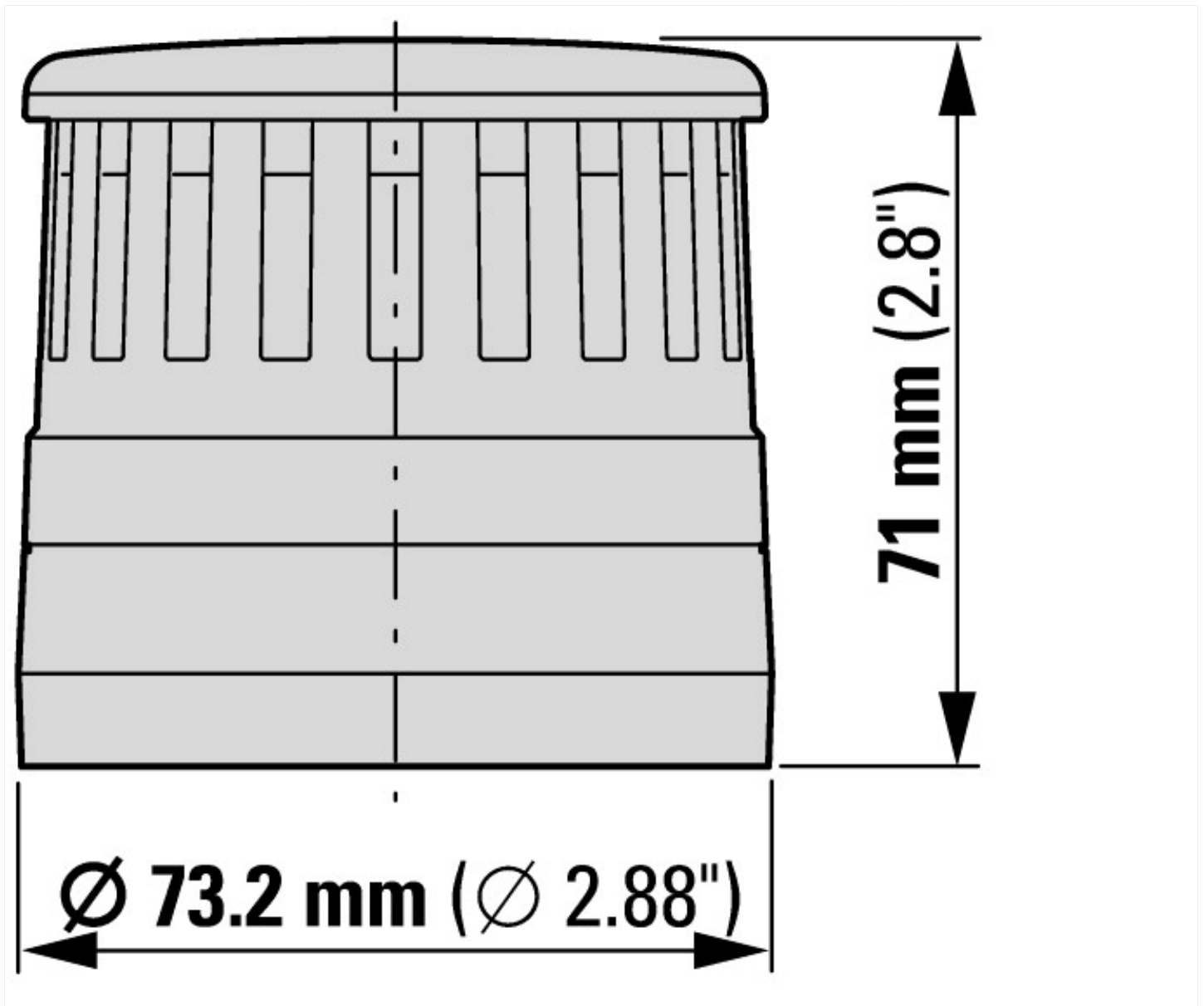
| | | | |
|---|--|----|-----------|
| Low-voltage industrial components (EG000017) / Acoustic module for signal tower (EC001261) | | | |
| Electric engineering, automation, process control engineering / Low-voltage switch technology / Command and alarm device / Signal column element, acoustic (ecl@ss10.0.1-27-37-12-37 [AKF055014]) | | | |
| Function | | | Other |
| Outer diameter | | mm | 73 |
| Colour | | | Black |
| Operating voltage at AC 50 Hz | | V | 110 - 120 |
| Operating voltage at AC 60 Hz | | V | 110 - 120 |
| Operating voltage at DC | | V | 0 - 0 |
| Voltage type | | | AC |

| | | |
|-----------------------------|----|------|
| Tone adjustable | | Yes |
| Degree of protection (IP) | | IP66 |
| Degree of protection (NEMA) | | 4X |
| Loudness | dB | 100 |

Approvals

| | | |
|-----------------------------|--|--|
| Product Standards | | IEC/EN 60947-5-1; UL 508; CSA-C22.2 No. 14-10; CSA-C22.2 No. 94-91; CE marking |
| UL File No. | | E29184 |
| UL Category Control No. | | NKCR |
| CSA File No. | | UL report applies to both US and Canada |
| CSA Class No. | | NKCR7 |
| North America Certification | | UL listed, certified by UL for use in Canada |
| Degree of Protection | | UL Type 4, 4X, 13 |

Dimensions



Assets (links)

Declaration of CE Conformity

00002899

Instruction Leaflets

IL047004ZU2018_05

Additional product information (links)

IL047004ZU SL7 Light Modules, Tone Modules

