



Door coupling handle, red yellow, MCC, 90 degree, for PKE

Part no. PKE-XRH-MCC
Catalog No. 142419
Alternate Catalog No. XTPEXRHM90RY
EL-Nummer (Norway) 4315137

Delivery program

Product range		Accessories
Accessories		Door coupling handle
		For use as a main switch with Emergency-Stop function to EN 60204 in MCC power distribution systems and with PKE installed when rotated by 90°
		Red-yellow
For use with		PKE
For use with		Door coupling handle PKE
Degree of Protection		IP65

Notes Plug-in extension shaft PKZ0-XAH can be cut to desired length for mounting depths of 100-240 mm.
 Carrier with extension shaft included as standard.
 With ON/OFF switch position and "+" (tripped), lockable.
 With 3 padlocks, 4 - 8 mm hasp thickness.
 Cannot be used in combination with VHI20-PKZ0.
 ZFS... (except for ZFS-(L)TS-NZM) add-on front plates can be used.

Design verification as per IEC/EN 61439

Technical data for design verification			
Rated operational current for specified heat dissipation	I_n	A	0
Heat dissipation per pole, current-dependent	P_{vid}	W	0
Equipment heat dissipation, current-dependent	P_{vid}	W	0
Static heat dissipation, non-current-dependent	P_{vs}	W	0
Heat dissipation capacity	P_{diss}	W	0
Operating ambient temperature min.		°C	-25
Operating ambient temperature max.		°C	55
IEC/EN 61439 design verification			
10.2 Strength of materials and parts			
10.2.2 Corrosion resistance			Meets the product standard's requirements.
10.2.3 Verification of thermal stability of enclosures			
10.2.3.2 Verification of resistance of insulating materials to normal heat			Meets the product standard's requirements.
10.2.3.3 Verification of resistance of insulating materials to abnormal heat and fire due to internal electric effects			Meets the product standard's requirements.
10.2.4 Resistance to ultra-violet (UV) radiation			Please enquire
10.2.5 Lifting			Does not apply, since the entire switchgear needs to be evaluated.
10.2.6 Mechanical impact			Does not apply, since the entire switchgear needs to be evaluated.
10.2.7 Inscriptions			Meets the product standard's requirements.
10.3 Degree of protection of ASSEMBLIES			Does not apply, since the entire switchgear needs to be evaluated.
10.4 Clearances and creepage distances			Meets the product standard's requirements.
10.5 Protection against electric shock			Does not apply, since the entire switchgear needs to be evaluated.
10.6 Incorporation of switching devices and components			Does not apply, since the entire switchgear needs to be evaluated.
10.7 Internal electrical circuits and connections			Is the panel builder's responsibility.
10.8 Connections for external conductors			Is the panel builder's responsibility.
10.9 Insulation properties			
10.9.2 Power-frequency electric strength			Is the panel builder's responsibility.
10.9.3 Impulse withstand voltage			Is the panel builder's responsibility.
10.9.4 Testing of enclosures made of insulating material			Is the panel builder's responsibility.
10.10 Temperature rise			Not applicable.
10.11 Short-circuit rating			Is the panel builder's responsibility. The specifications for the switchgear must be observed.

10.12 Electromagnetic compatibility		Is the panel builder's responsibility. The specifications for the switchgear must be observed.
10.13 Mechanical function		The device meets the requirements, provided the information in the instruction leaflet (IL) is observed.

Technical data ETIM 7.0

Low-voltage industrial components (EG000017) / Door coupling handle for switchgear (EC000230)

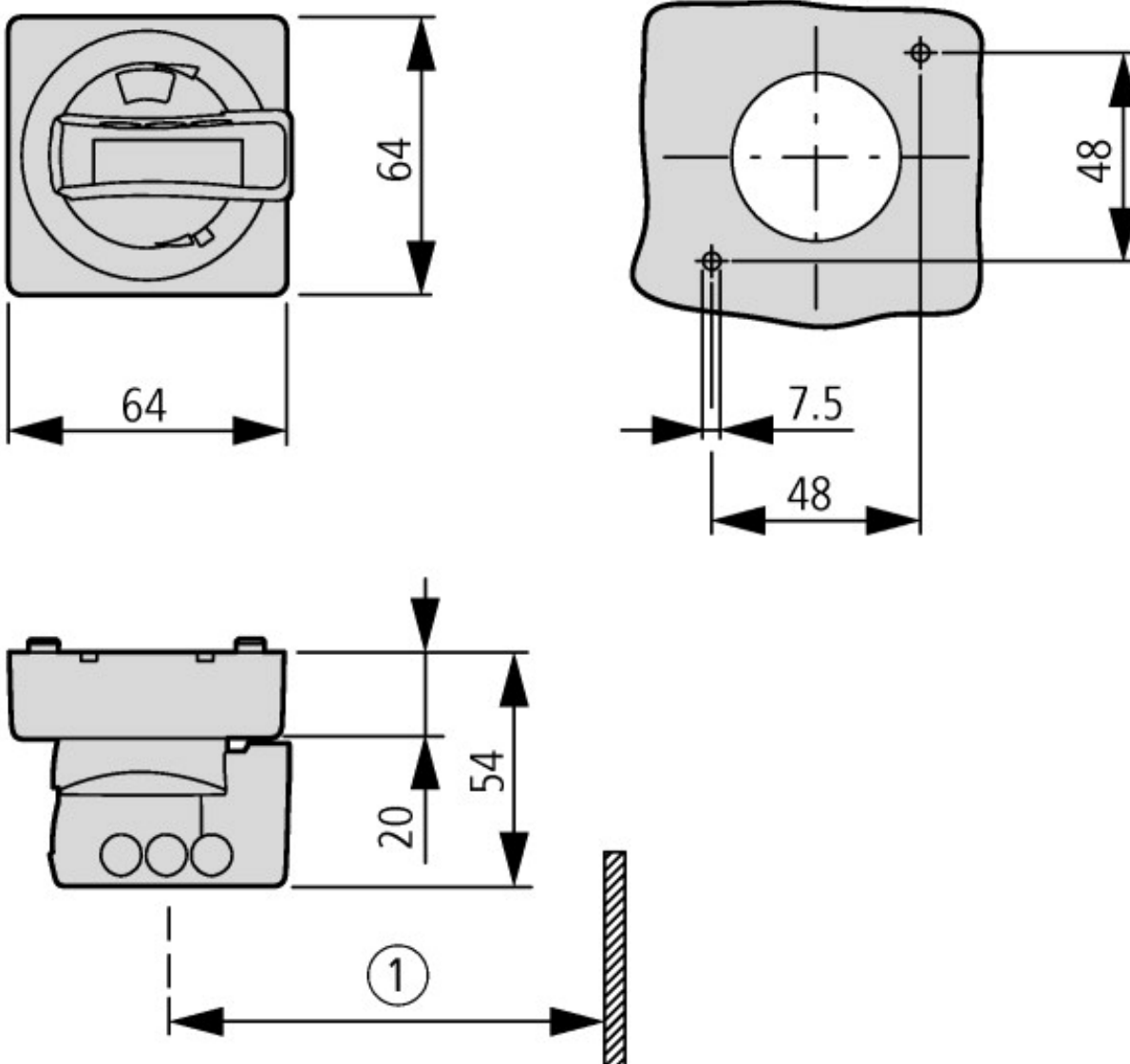
Electric engineering, automation, process control engineering / Low-voltage switch technology / Circuit breaker (LV < 1 kV) / Hand drive for switch devices (ecl@ss10.0.1-27-37-04-15 [AKF013014])

With axis extension		Yes
With door interlock		Yes
Lockable		Yes
With handle red/yellow		Yes

Approvals

Product Standards		UL 508; CSA-C22.2 No. 14; IEC60947-4-1; CE marking
UL File No.		E36332
UL Category Control No.		NLRV
CSA File No.		165628
CSA Class No.		3211-05
North America Certification		UL listed, CSA certified
Specially designed for North America		No
Degree of Protection		IEC: IP65, UL/CSA Type: 4X, 12

Dimensions



Mounting depth: 152 to 267 mm from the top edge of the top-hat rail to the front edge of the cabinet door/cover

① At least 100 mm from cover hinge

Assets (links)

Declaration of CE Conformity

00002850

Instruction Leaflets

IL03402018Z2013_11

Additional product information (links)

IL03402018Z (AWA1210-2348) door coupling rotary handle	
IL03402018Z (AWA1210-2348) door coupling rotary handle	ftp://ftp.moeller.net/DOCUMENTATION/AWA_INSTRUCTIONS/IL03402018Z2013_11.pdf
Motor starters and "Special Purpose Ratings" for the North American market	http://www.eaton.eu/ecm/groups/public/@pub/@europe/@electrical/documents/content/pct_3258146.pdf
Busbar Component Adapters for modern Industrial control panels	http://www.moeller.net/binary/ver_techpapers/ver960en.pdf