



Sensor fixing, M8 sensors, inductive

**Part no.** E57KNZ8  
**Catalog No.** 136201  
**Alternate Catalog No.** E57KNZ8

**Delivery program**

Basic function			Accessories
Accessories			Sensor fixing
<b>For use with</b>			
For use with			M8 sensors, inductive

**Design verification as per IEC/EN 61439**

Technical data for design verification			
Operating ambient temperature min.		°C	-25
Operating ambient temperature max.		°C	70

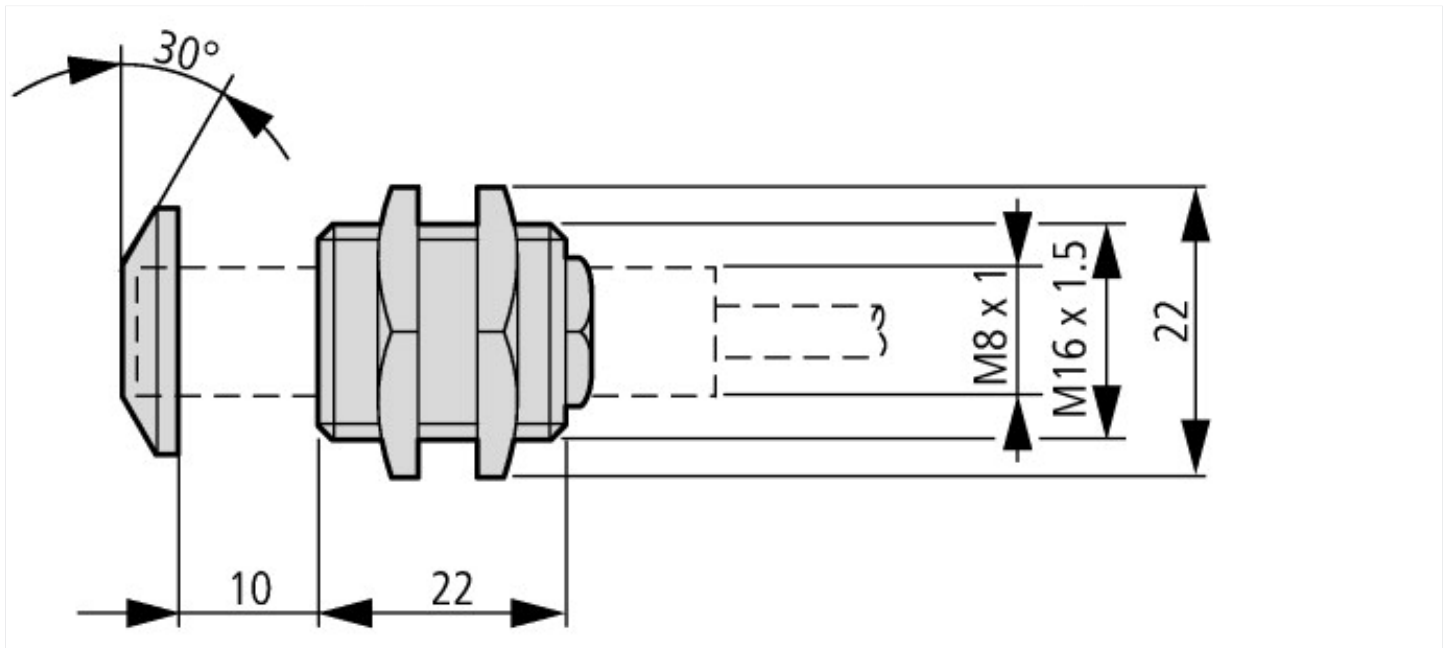
**Technical data ETIM 7.0**

Sensors (EG000026) / Accessories for position switches (EC002594)			
Electric engineering, automation, process control engineering / Binary sensor technology, safety-related sensor technology / Position switch / Position switch (accessories) (ecI@ss10.0.1-27-27-06-92 [AFR520003])			
Type of accessory			Other

**Approvals**

Product Standards			none
-------------------	--	--	------

**Dimensions**



**Assets (links)**

**Declaration of CE Conformity**

00003158