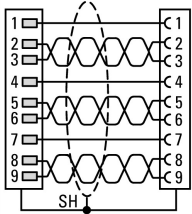




**Bulkhead interface, 0.6 m, Prefabricated cable with permanently connected USB 3.0 Type A plug, Bezel: titanium**

**Part no.** M22-USB-SA  
**Catalog No.** 107412  
**Alternate Catalog No.** M22-USB-SAQ  
**EL-Nummer (Norway)** 4355600

## Delivery program

Accessories		General accessories
Basic function accessories		Bulkhead interface, RJ45 socket
		Prefabricated cable with permanently connected USB 3.0 Type A plug
Cable length	m	0.6
Degree of Protection		IP65 (with closed cover) IP20 (with plug connected)
Front ring		Bezel: titanium
Connection to SmartWire-DT		no
For use with		Front mounting
Terminal diagram / contact assignment		

## Technical data

### Technical data

Nominal voltage	$U_L$	AC/DC 5V
Voltage range		Max. 30 V
Rated current	mA	900
Number of poles		9
Baud rate	kBd	Max. 5 Gbit/s
Class / category		3.0
Contact type art		1 : 1
Screen earth kit		yes

### General

Design		USB 3.0 A
Insulation resistance	$R_{ISO}$	MΩ
Volume resistance		> ≥ 100
Contact material		CuSn, gold-plated
Mounting		Front panel cutout d = 22.5 mm
Mounting depth:		mm
Cable sheath		ca. 70 (incl. Krümmung)
Outer cable diameter		PVC
Bending radius		mm
Ambient temperature		6.1
Storage		15 x Cable diameter
Lifespan, mechanical	Operations	-20 - +70
Weight		°C
		-25 - +80
		> 100 insertion cycles
		kg/piece
		0.044

## Design verification as per IEC/EN 61439

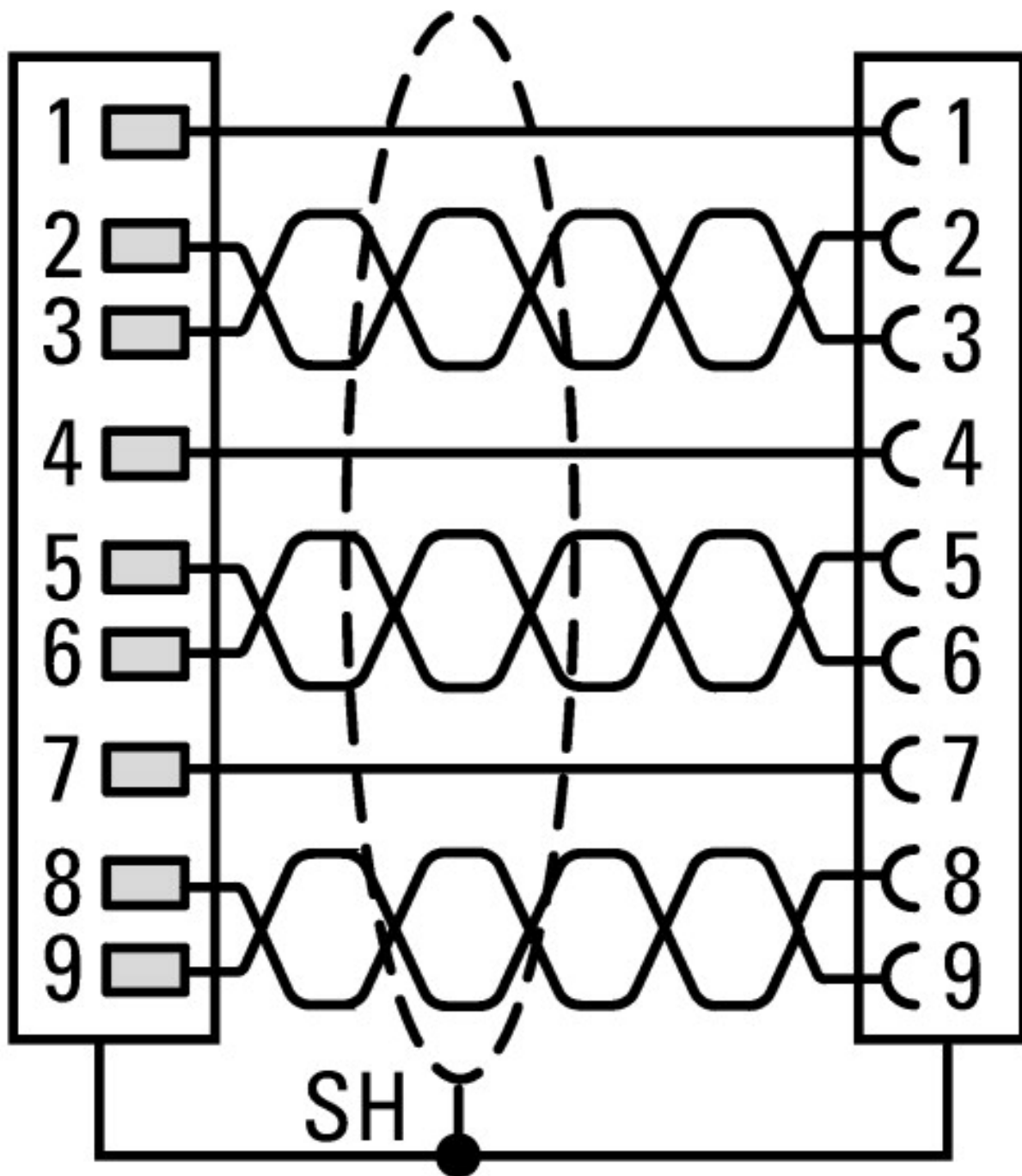
Technical data for design verification			
Heat dissipation capacity	P <sub>diss</sub>	W	0
Operating ambient temperature min.		°C	-20
Operating ambient temperature max.		°C	70
IEC/EN 61439 design verification			
10.2 Strength of materials and parts			
10.2.2 Corrosion resistance			Meets the product standard's requirements.
10.2.3.1 Verification of thermal stability of enclosures			Meets the product standard's requirements.
10.2.3.2 Verification of resistance of insulating materials to normal heat			Meets the product standard's requirements.
10.2.3.3 Verification of resistance of insulating materials to abnormal heat and fire due to internal electric effects			Meets the product standard's requirements.
10.2.4 Resistance to ultra-violet (UV) radiation			Please enquire
10.2.5 Lifting			Does not apply, since the entire switchgear needs to be evaluated.
10.2.6 Mechanical impact			Does not apply, since the entire switchgear needs to be evaluated.
10.2.7 Inscriptions			Meets the product standard's requirements.
10.3 Degree of protection of ASSEMBLIES			Does not apply, since the entire switchgear needs to be evaluated.
10.4 Clearances and creepage distances			Meets the product standard's requirements.
10.5 Protection against electric shock			Does not apply, since the entire switchgear needs to be evaluated.
10.6 Incorporation of switching devices and components			Does not apply, since the entire switchgear needs to be evaluated.
10.7 Internal electrical circuits and connections			Is the panel builder's responsibility.
10.8 Connections for external conductors			Is the panel builder's responsibility.
10.9 Insulation properties			
10.9.2 Power-frequency electric strength			Is the panel builder's responsibility.
10.9.3 Impulse withstand voltage			Is the panel builder's responsibility.
10.9.4 Testing of enclosures made of insulating material			Is the panel builder's responsibility.
10.10 Temperature rise			The panel builder is responsible for the temperature rise calculation. Eaton will provide heat dissipation data for the devices.
10.11 Short-circuit rating			Is the panel builder's responsibility. The specifications for the switchgear must be observed.
10.12 Electromagnetic compatibility			Is the panel builder's responsibility. The specifications for the switchgear must be observed.
10.13 Mechanical function			The device meets the requirements, provided the information in the instruction leaflet (IL) is observed.

## Technical data ETIM 7.0

Low-voltage industrial components (EG000017) / Accessories for control circuit devices (EC002024)			
Type of electrical accessory			Other
Type of mechanical accessory			Other

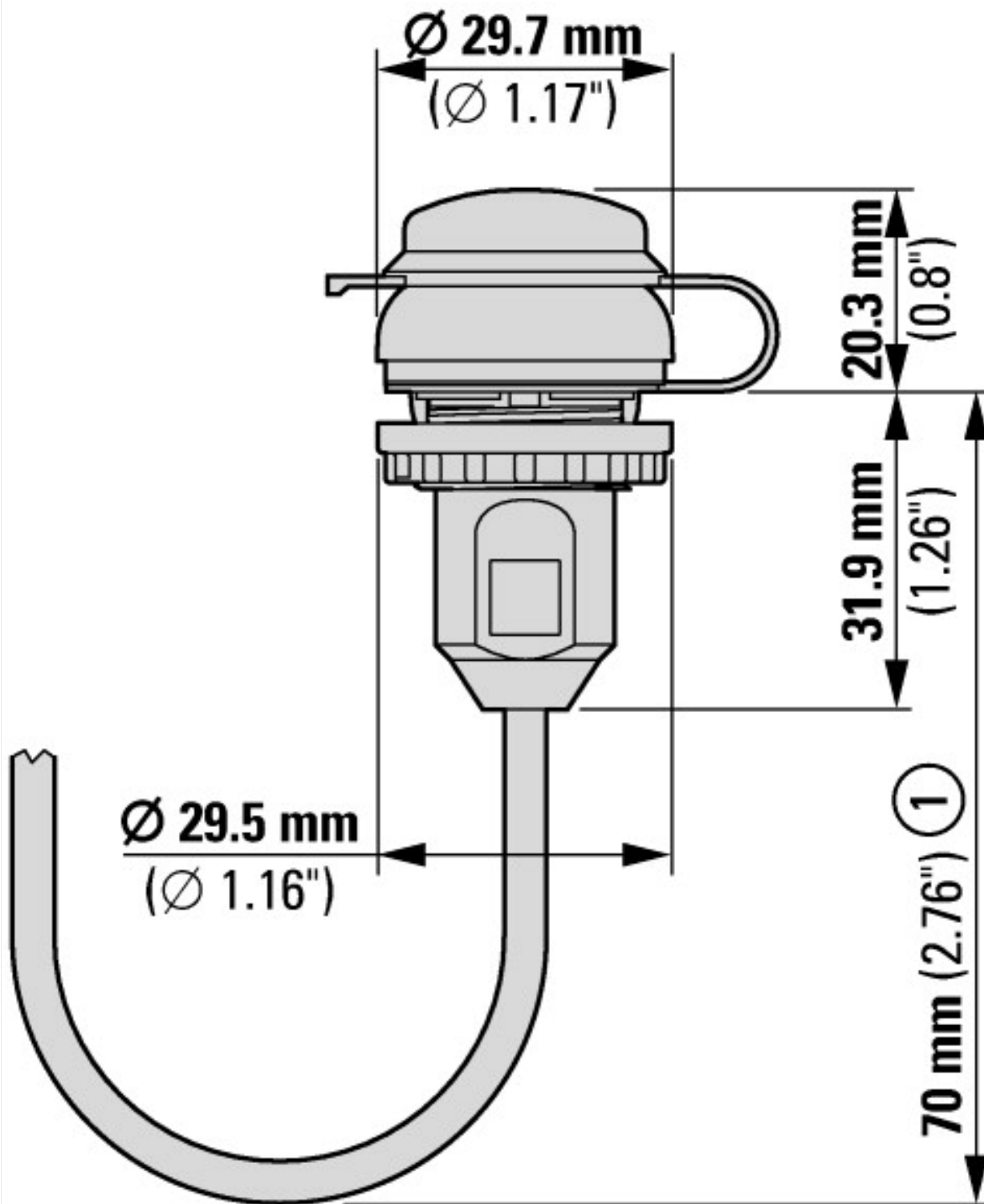
## Approvals

Product Standards			UL 508; CSA-C22.2 No. 142; IEC/EN 6113-2; CE marking
UL File No.			E330994
UL Category Control No.			DUXR, DUXR7
CSA File No.			UL report applies to both US and Canada
CSA Class No.			-
North America Certification			UL listed, certified by UL for use in Canada
Degree of Protection			IEC: IP65 and UL/CSA NEMA Type 2, 3R, 4, 4X, 12, 13 when closed, IP20 when connected



SH: Schirmung

## Dimensions



① Installation depth