



Safety position switch, LS(4)...ZB, Safety position switches, Complete unit, 1 N/O, 1 NC, wide, Insulated material, Screw terminal, -25 - +70 °C

Part no. LS4/S11-1/IA/ZB
Catalog No. 106858
Alternate Catalog No. LS4/S11-1/IA/ZB
EL-Nummer (Norway) 4315221

Delivery program

Basic function		Position switches Safety position switches
Part group reference		LS(4)...ZB
Product range		Safety position switches
Degree of Protection		IP65
Features		Complete unit
Ambient temperature	°C	-25 - +70
Design		wide
Description		With the actuator inserted, the N/O contact is open and the NC contact is closed.
Approval		
Contacts		
N/O = Normally open		1 N/O
N/C = Normally closed		1 NC
Notes		= safety function, by positive opening to IEC/EN 60947-5-1
Contact sequence		
Contact travel <input checked="" type="checkbox"/> = Contact closed <input type="checkbox"/> = Contact open		
Housing		Insulated material
Connection type		Screw terminal
<p>Notes Do not, under any circumstance, use the switch as a mechanical stop or transportation restraint or brace! Connect operating elements permanently with the protective device, e.g., with non-reusable screws or rivets. Operating head can be rotated 90°.</p>		

Technical data

General		
Standards		IEC/EN 60947
Climatic proofing		Damp heat, constant, to IEC 60068-2-78; damp heat, cyclical, to IEC 60068-2-30
Ambient temperature	°C	-25 - +70
Mounting position		As required
Degree of Protection		IP65
Terminal capacities		
Solid	mm ²	1 x (0.75 - 2.5) 2 x (0.75 - 1.5)
Flexible with ferrule	mm ²	1 x (0.5 - 1.5) 2 x (0.5 - 1.5)

Terminal screw			PH1
Tightening torque for terminal screw		Nm	0.9
Repetition accuracy		mm	0.02

Contacts/switching capacity

Rated impulse withstand voltage	U_{imp}	V AC	6000
Rated insulation voltage	U_i	V	500
Overvoltage category/pollution degree			III/3
Rated operational current	I_e	A	
AC-15			
24 V	I_e	A	6
220 V 230 V 240 V	I_e	A	6
380 V 400 V 415 V	I_e	A	4
DC-13			
24 V	I_e	A	3
110 V	I_e	A	0.8
220 V	I_e	A	0.3
Supply frequency		Hz	max. 400
Short-circuit rating to IEC/EN 60947-5-1			
max. fuse		A gG/gL	10
Rated conditional short-circuit current		kA	1

Mechanical variables

Lifespan, mechanical	Operations	$\times 10^6$	1.5
Mechanical shock resistance (half-sinusoidal shock, 20 ms)			
Standard-action contact		g	5
Operating frequency	Operations/h		≤ 1800

Actuation

Mechanical			
Actuating force at beginning/end of stroke		N	15/20 (plug-in/pull-out)

Design verification as per IEC/EN 61439

Technical data for design verification			
Rated operational current for specified heat dissipation	I_n	A	6
Heat dissipation per pole, current-dependent	P_{vid}	W	0.1
Equipment heat dissipation, current-dependent	P_{vid}	W	0
Static heat dissipation, non-current-dependent	P_{vs}	W	0
Heat dissipation capacity	P_{diss}	W	0
Operating ambient temperature min.		°C	-25
Operating ambient temperature max.		°C	70
IEC/EN 61439 design verification			
10.2 Strength of materials and parts			
10.2.2 Corrosion resistance			Meets the product standard's requirements.
10.2.3.1 Verification of thermal stability of enclosures			Meets the product standard's requirements.
10.2.3.2 Verification of resistance of insulating materials to normal heat			Meets the product standard's requirements.
10.2.3.3 Verification of resistance of insulating materials to abnormal heat and fire due to internal electric effects			Meets the product standard's requirements.
10.2.4 Resistance to ultra-violet (UV) radiation			Meets the product standard's requirements.
10.2.5 Lifting			Does not apply, since the entire switchgear needs to be evaluated.
10.2.6 Mechanical impact			Does not apply, since the entire switchgear needs to be evaluated.
10.2.7 Inscriptions			Meets the product standard's requirements.
10.3 Degree of protection of ASSEMBLIES			Does not apply, since the entire switchgear needs to be evaluated.
10.4 Clearances and creepage distances			Meets the product standard's requirements.
10.5 Protection against electric shock			Does not apply, since the entire switchgear needs to be evaluated.
10.6 Incorporation of switching devices and components			Does not apply, since the entire switchgear needs to be evaluated.
10.7 Internal electrical circuits and connections			Is the panel builder's responsibility.
10.8 Connections for external conductors			Is the panel builder's responsibility.

10.9 Insulation properties			
10.9.2 Power-frequency electric strength			Is the panel builder's responsibility.
10.9.3 Impulse withstand voltage			Is the panel builder's responsibility.
10.9.4 Testing of enclosures made of insulating material			Is the panel builder's responsibility.
10.10 Temperature rise			The panel builder is responsible for the temperature rise calculation. Eaton will provide heat dissipation data for the devices.
10.11 Short-circuit rating			Is the panel builder's responsibility. The specifications for the switchgear must be observed.
10.12 Electromagnetic compatibility			Is the panel builder's responsibility. The specifications for the switchgear must be observed.
10.13 Mechanical function			The device meets the requirements, provided the information in the instruction leaflet (IL) is observed.

Technical data ETIM 7.0

Sensors (EG000026) / End switch (EC000030)

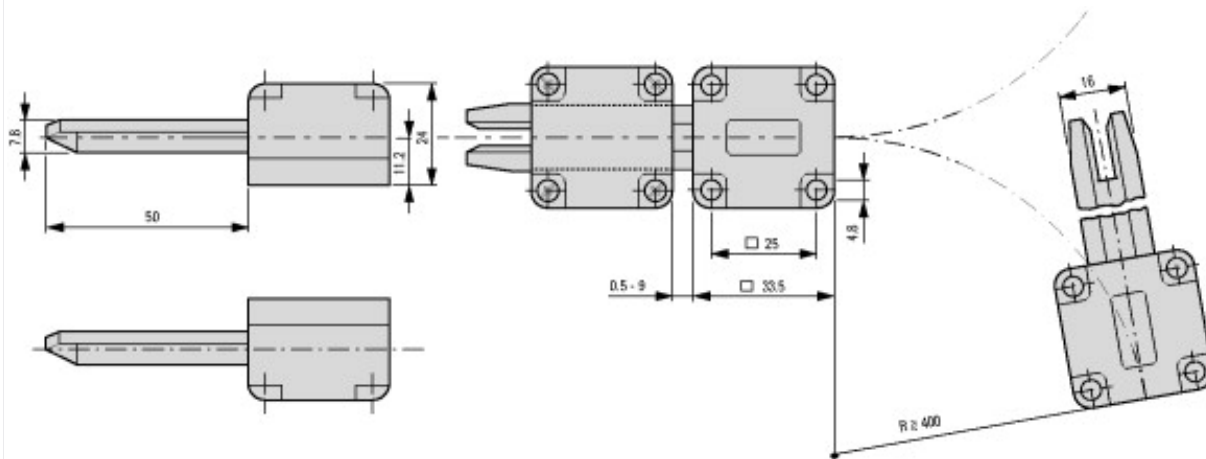
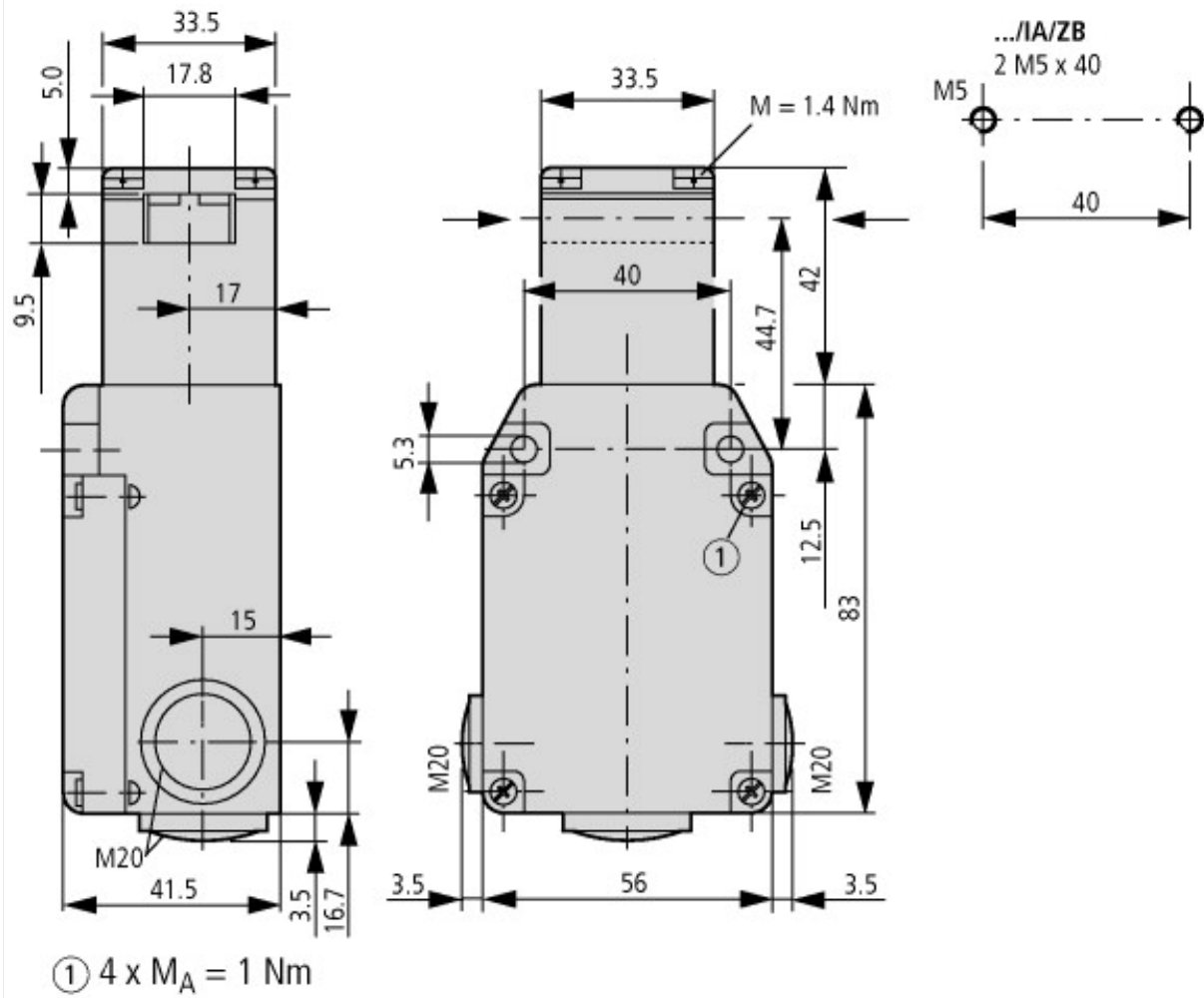
Electric engineering, automation, process control engineering / Binary sensor technology, safety-related sensor technology / Position switch / Position switch (Type 1)
(ec|ss10.0.1-27-27-06-01 [AGZ382015])

Width sensor	mm	40
Diameter sensor	mm	0
Height of sensor	mm	125
Length of sensor	mm	40
Rated operation current I _e at AC-15, 24 V	A	10
Rated operation current I _e at AC-15, 125 V	A	6
Rated operation current I _e at AC-15, 230 V	A	6
Rated operation current I _e at DC-13, 24 V	A	3
Rated operation current I _e at DC-13, 125 V	A	0.8
Rated operation current I _e at DC-13, 230 V	A	0.3
Switching function		Slow-action switch
Switching function latching		No
Output electronic		No
Forced opening		Yes
Number of safety auxiliary contacts		0
Number of contacts as normally closed contact		0
Number of contacts as normally open contact		0
Number of contacts as change-over contact		0
Type of interface		None
Type of interface for safety communication		None
Construction type housing		Cuboid
Material housing		Plastic
Coating housing		Other
Type of control element		Other
Alignment of the control element		Other
Type of electric connection		Cable entry metrical
With status indication		No
Suitable for safety functions		Yes
Explosion safety category for gas		None
Explosion safety category for dust		None
Ambient temperature during operating	°C	25 - 70
Degree of protection (IP)		IP65
Degree of protection (NEMA)		13

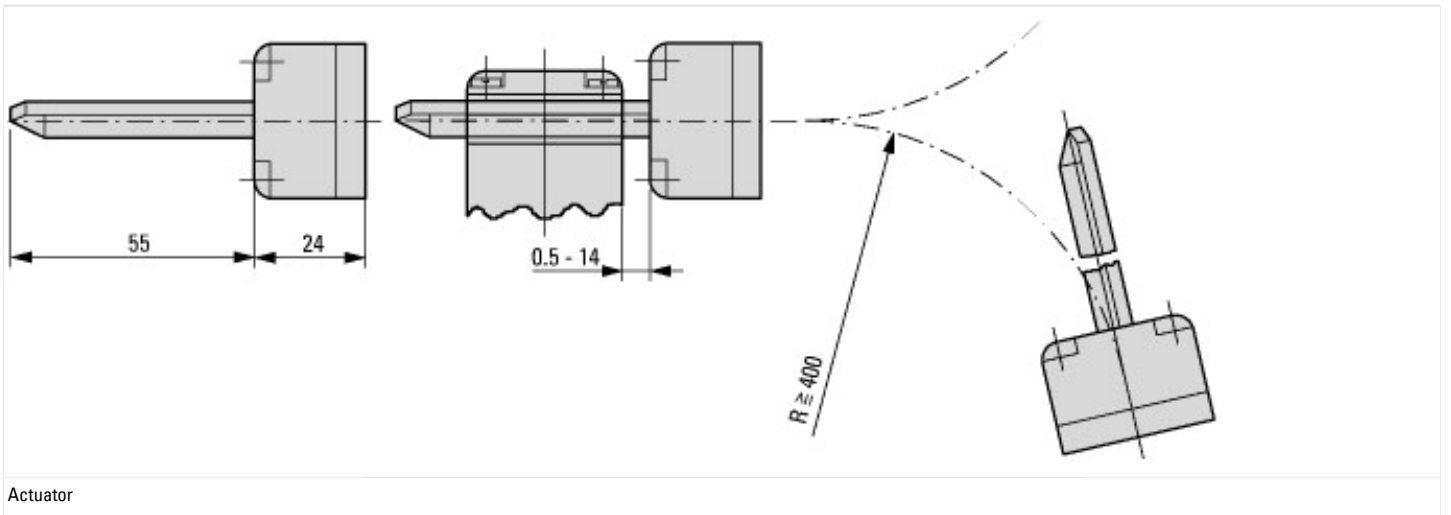
Approvals

Product Standards		IEC/EN 60947-5; UL 508; CSA-C22.2 No. 14; CE marking
UL File No.		E29184
UL Category Control No.		NKCR
CSA File No.		12528
CSA Class No.		3211-03

Dimensions



Switch must not be used as a mechanical stop



Actuator

Assets (links)

Declaration of CE Conformity

00003114

Additional product information (links)

IL05208004Z (AWA1310-2367) Safety position switch

IL05208004Z (AWA1310-2367) Safety position switch ftp://ftp.moeller.net/DOCUMENTATION/AWA_INSTRUCTIONS/IL05208004Z2018_09.pdf