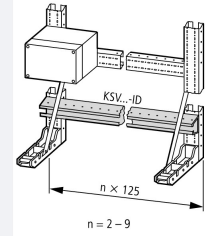


Cable anchoring rail, HxWxD=15x30x375mm CI distribution board

Part no. KSV3-ID
Catalog No. 063000
EL-Nummer (Norway) 2502262

Delivery program

Product range			xEnergy Safety Ci
Basic function			Distribution board assembly
Product function			Accessories
Accessories			Cable anchoring rails
For use with			For T-slot cleats
For use with			
125 mm grid spacing		Number	3 x 125
Length		mm	375

Technical data ETIM 7.0

Energy distribution systems (EG000015) / Cable guide for enclosures/cabinets (EC000322)			
Electric engineering, automation, process control engineering / Electrical insulation and connecting material / Energy distribution system / Cable guide for cabinets (ecl@ss10.0.1-27-40-06-04 [ACO371011])			
Model			Cable guard rail
Material			Metal
Suitable for 19 inch mounting			No
Width		mm	30
Number of height units			0

Additional product information (links)

allowInterrupt=1&RevisionSelectionMethod=LatestReleased&noSaveAs=0&Render=1 http://www.eaton.eu/DE/ecm/idcplg?IdcService=GET_FILE&model certification xEnergy Safety Ci	
allowInterrupt=1&RevisionSelectionMethod=LatestReleased&noSaveAs=0&Render=1 http://www.eaton.eu/DE/ecm/idcplg?IdcService=GET_FILE&Save time – we assist you with expert pre-assembly	
allowInterrupt=1&RevisionSelectionMethod=LatestReleased&noSaveAs=0&Render=1 http://www.eaton.eu/DE/ecm/idcplg?IdcService=GET_FILE&product information xEnergy Safety Ci	
tool for calculating the power loss for switching device combinations	http://www.eaton.eu/DE/Europe/Electrical/Customersupport/ConfigurationTools/TCtool/index.htm
configurator - xEnergy family	http://www.eaton.eu/DE/Europe/Electrical/Customersupport/ConfigurationTools/xEnergyMainSupport/index.htm