



Fuse base, 25A, 500 V, DII/E27, gauge ring

Part no. **S27-1**
 Catalog No. **045865**

Delivery program

Product range			Fuse Bases
Basic function			Fuse bases 1 pole For gauge ring (gauge screw;/FORMP) Screw fixing (holes for M4 screws)
Number of poles			1 pole
Rated operational current	I_e	A	25
Rated operational voltage	U_e	V AC	500
Fuse cartridge		Size	E27, DII
Information about equipment supplied Gauge rings/gauge screws, fuse-links and fuse caps not included as standard not included			

Technical data

General

Standards			Load carrying capacity of fuse enclosures taking into account the derating factors to IEC/EN 60439 and VDE 0660 Part 500 and Part 504, and the cross-sections of the incoming cable.
Fuse bases: S27(-1), S33(-1)			VDE 0636 CEE 16
Protective covers			VDE 0636
Gauge ring system			DIN 49326 DIN 49327 DIN 49524
RS27 (33)-3/FORMP gauge screw system			DIN 49510
Ambient temperature		°C	-5 - +25 (+40, where annual and 24-hour mean value ≤ 35)
Mounting position			As required
Rated uninterrupted current	I_u	A	25

Contacts

Rated operational voltage	U_e	V AC	500
Creepage and clearance distances			VDE 0636 Part 31
Current heat loss per contact at rated uninterrupted current I_u		W	3.9
Terminal capacities		mm ²	
Solid		mm ²	1 - 10
Flexible with ferrule		mm ²	0.75 - 10

Design verification as per IEC/EN 61439

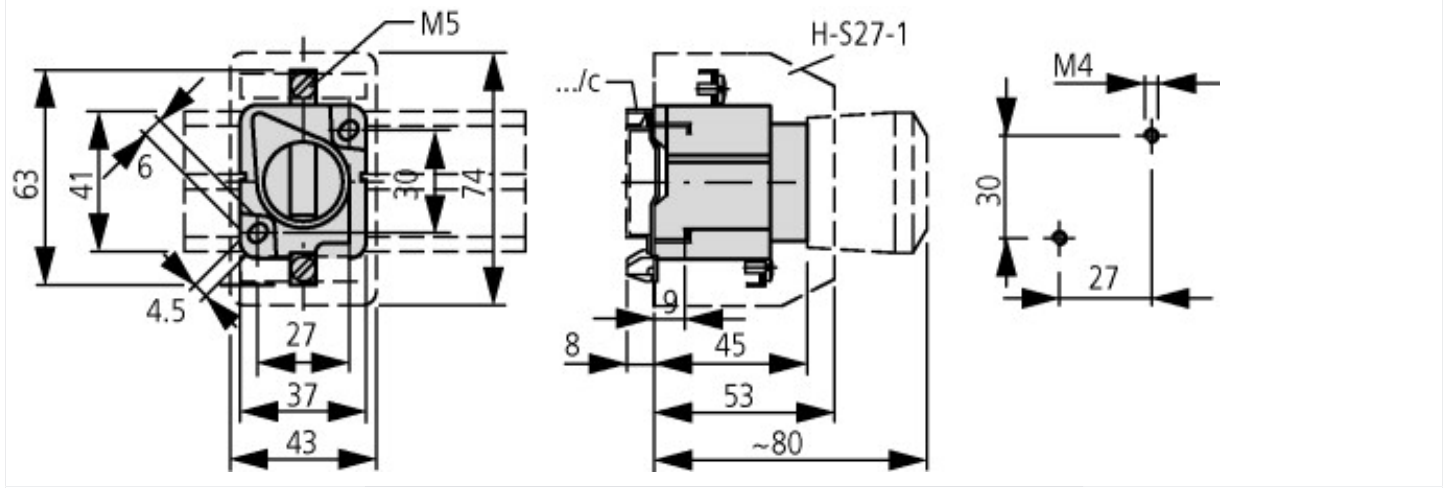
Technical data for design verification			
Operating ambient temperature min.		°C	-25
Operating ambient temperature max.		°C	55

Technical data ETIM 7.0

Circuit breakers and fuses (EG000020) / D-system fuse base (EC000094)			
Electric engineering, automation, process control engineering / Electrical installation, device / Safety fuse systems / Diazed fuse base (ecl@ss10.0.1-27-14-21-03 [AFZ802014])			
Number of poles			1
Construction size			DII
Material			Plastic
Model			Fitted ring
Version with cover			No
Mounting method			Screw mounting

Rated voltage	V	500
Rated current	A	25

Dimensions



(...) = S33