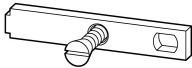




Wall fixing strap, stainless steel, with screw, (1 set = 4 units)

Part no. BL-CI-VA
Catalog No. 038541

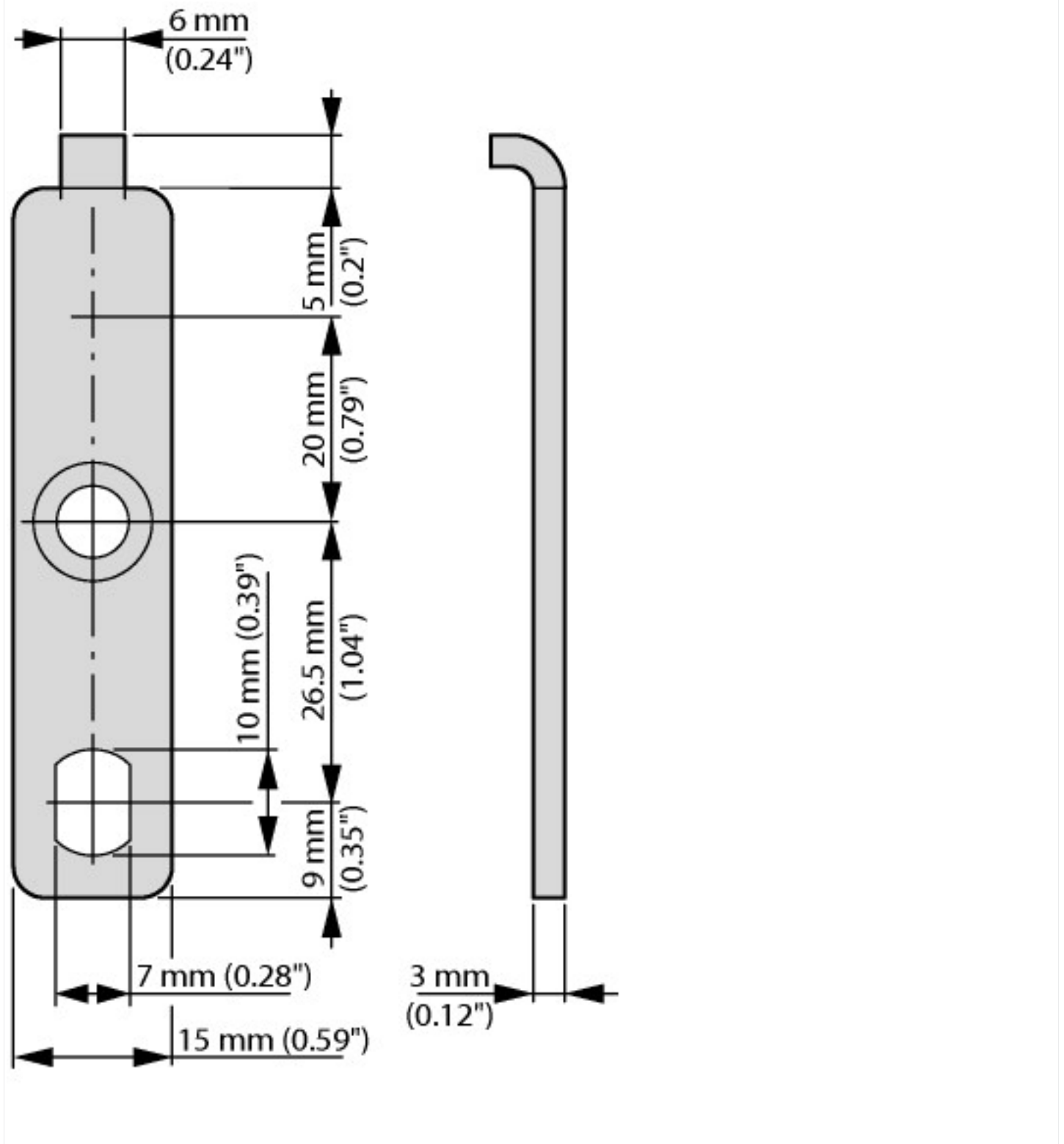
Delivery program

			
Product range			Ci insulated enclosures
Product range			Ci insulated enclosures
Basic function			Basic enclosures
Product function			Accessories for enclosure assembly
Accessories			Fixing strap kits
Single unit/Complete unit			Modular system
Function			For securing Ci enclosures directly to the wall
Information about equipment supplied			Each set contains 4 straps.
For use with			Max. 4 CI43... enclosures
Material			Steel V2A

Technical data ETIM 7.0

Cabinet enclosures (EG000011) / Component for arrangement / baying system (switchgear cabinet) (EC002622)			
Electric engineering, automation, process control engineering / Electrical cabinet, housing, rack / Elements for switching cabinet, housing, rack / Component for arrangement/baying system (electrical cabinet) (ecl@ss10.0.1-27-18-28-13 [ACN631012])			
Model			Mounting bracket
Width		mm	15
Height		mm	72
Depth		mm	7
Material			Steel
Colour			Other
RAL-number			0

Dimensions



Additional product information (links)

allowInterrupt=1&RevisionSelectionMethod=LatestReleased&noSaveAs=0&Renderit	http://www.eaton.eu/DE/ecm/idcplg?IdcService=GET_FILE&model certification xEnergy Safety Ci
allowInterrupt=1&RevisionSelectionMethod=LatestReleased&noSaveAs=0&Renderit	http://www.eaton.eu/DE/ecm/idcplg?IdcService=GET_FILE&Save time – we assist you with expert pre-assembly
allowInterrupt=1&RevisionSelectionMethod=LatestReleased&noSaveAs=0&Renderit	http://www.eaton.eu/DE/ecm/idcplg?IdcService=GET_FILE&product information xEnergy Safety Ci
tool for calculating the power loss for switching device combinations	http://www.eaton.eu/DE/Europe/Electrical/CustomersSupport/ConfigurationTools/TCTool/index.htm
configurator - xEnergy family	http://www.eaton.eu/DE/Europe/Electrical/CustomersSupport/ConfigurationTools/xEnergyMainSupport/index.htm