

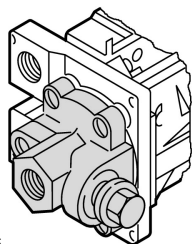


Pressure pipe flange, +pressure gauge connection

Part no. +M-MCS
 Catalog No. 001625
 Alternate Catalog No. -

Delivery program

Product range		Accessories
Basic function		Pressure pipe flange with pressure gauge connection
		Article no. for ordering with basic unit
For use with		MCS, MCSN(-V)



Notes

Manometer connection R ¼",
 Pressure pipe flange always R ½" also with MCS
Notes Article no. for ordering with basic unit

Design verification as per IEC/EN 61439

Technical data for design verification		
Operating ambient temperature min.	°C	-25
Operating ambient temperature max.	°C	70

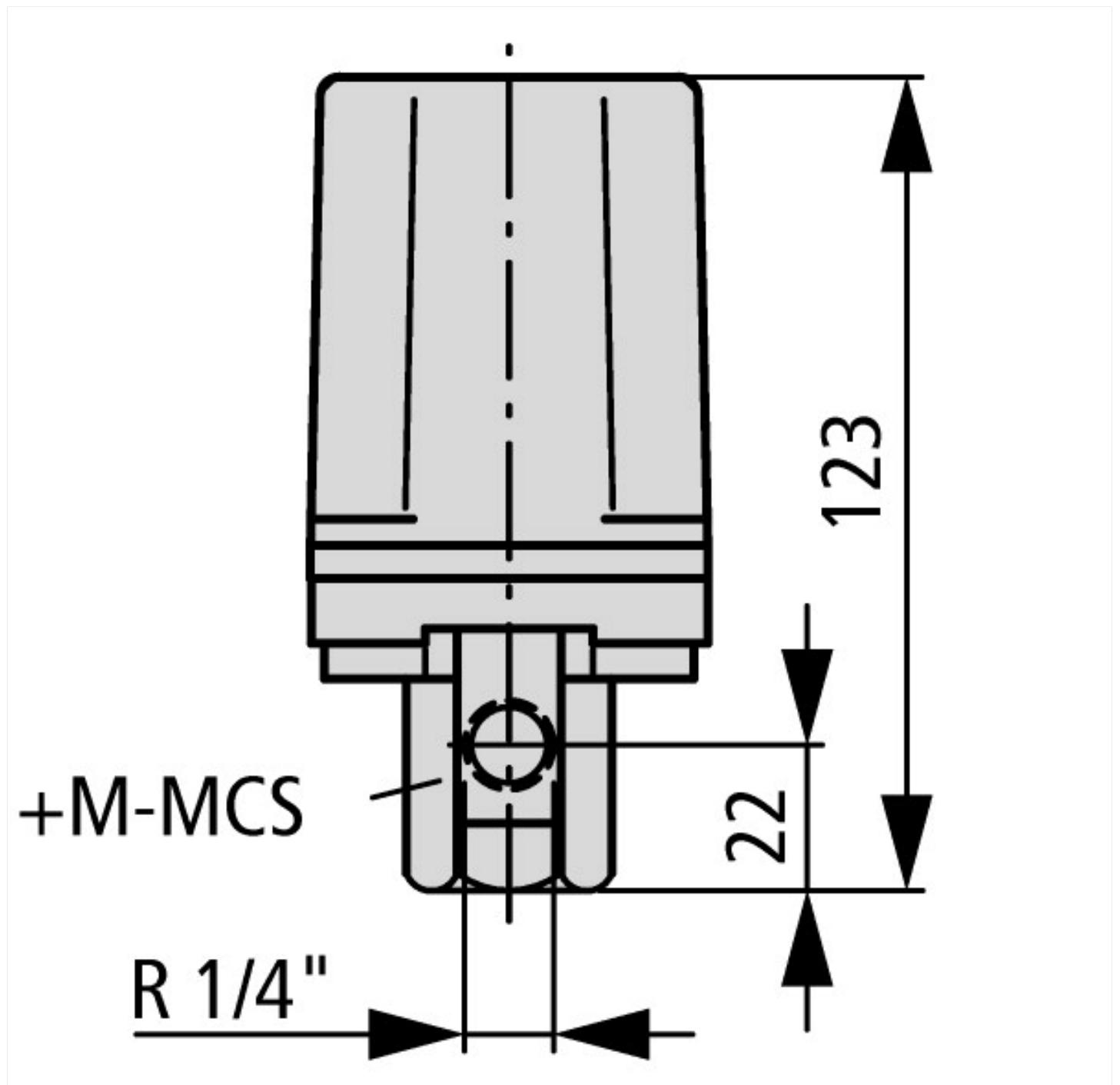
Technical data ETIM 7.0

Low-voltage industrial components (EG000017) / Accessories for low-voltage switch technology (EC002498)	
Electric engineering, automation, process control engineering / Low-voltage switch technology / Component for low-voltage switching technology / Component for low-voltage switch technology (accessories) (ecl@ss10.0.1-27-37-13-92 [AKN570013])	
Type of accessory	Connection technique

Approvals

Product Standards	CSA-CC22.2 No. 14
CSA File No.	12528
CSA Class No.	3211-06
North America Certification	CSA certified

Dimensions



Assets (links)

Declaration of CE Conformity

00002838

Instruction Leaflets

IL05212001Z2018_05

Additional product information (links)

IL05212001Z (AWA1320-0132) Pressure switch

IL05212001Z (AWA1320-0132) Pressure switch ftp://ftp.moeller.net/DOCUMENTATION/AWA_INSTRUCTIONS/IL05212001Z2018_05.pdf