



Flat cable incoming, outgoing, 7p

Part no. RA-C1-AM-7  
 Catalog No. 290214  
 Alternate Catalog No. RA-C1-AM-7

### Delivery program

Product range			Power supply at flat cable RA-C1
Subrange			Distributor module
Basic function			for feeding the 400-V-AC/24-V-DC of the ribbon cable with a round cable
Description			Termination with piercing screws, 2 x V-M25 and 2 x V-M20 knockout plates, connection module with spring-loaded terminals, connection of round cables up to 4 mm <sup>2</sup> .
Information about equipment supplied			Order cable gland V-M25 or V-M20 separately.
<b>For use with</b>			
For use with			RA-C1-7X4HF

### Technical data

#### General

Standards			EN 60998-2-2
Degree of Protection			IP65 IEC/EN 60529
Ambient temperature			
Operation	θ	°C	-30 - +50
Storage	θ	°C	-40 - +70
Mounting position			As required
Outer dimensions L x W x H		mm	160 x 60 x 60
Termination			Springloaded terminals 1.5 to 4 mm <sup>2</sup>

#### Main circuit

Rated operational voltage	U <sub>e</sub>		500 V AC
Rated operational current	I <sub>e</sub>	A	20
Line protection		Type	PKE32/XTU-32 PKZM0-25 FAZ-C25/3

#### Control circuit

Rated operational voltage	U <sub>e</sub>	V	24 V DC
Rated operational current	I <sub>e</sub>	A	20

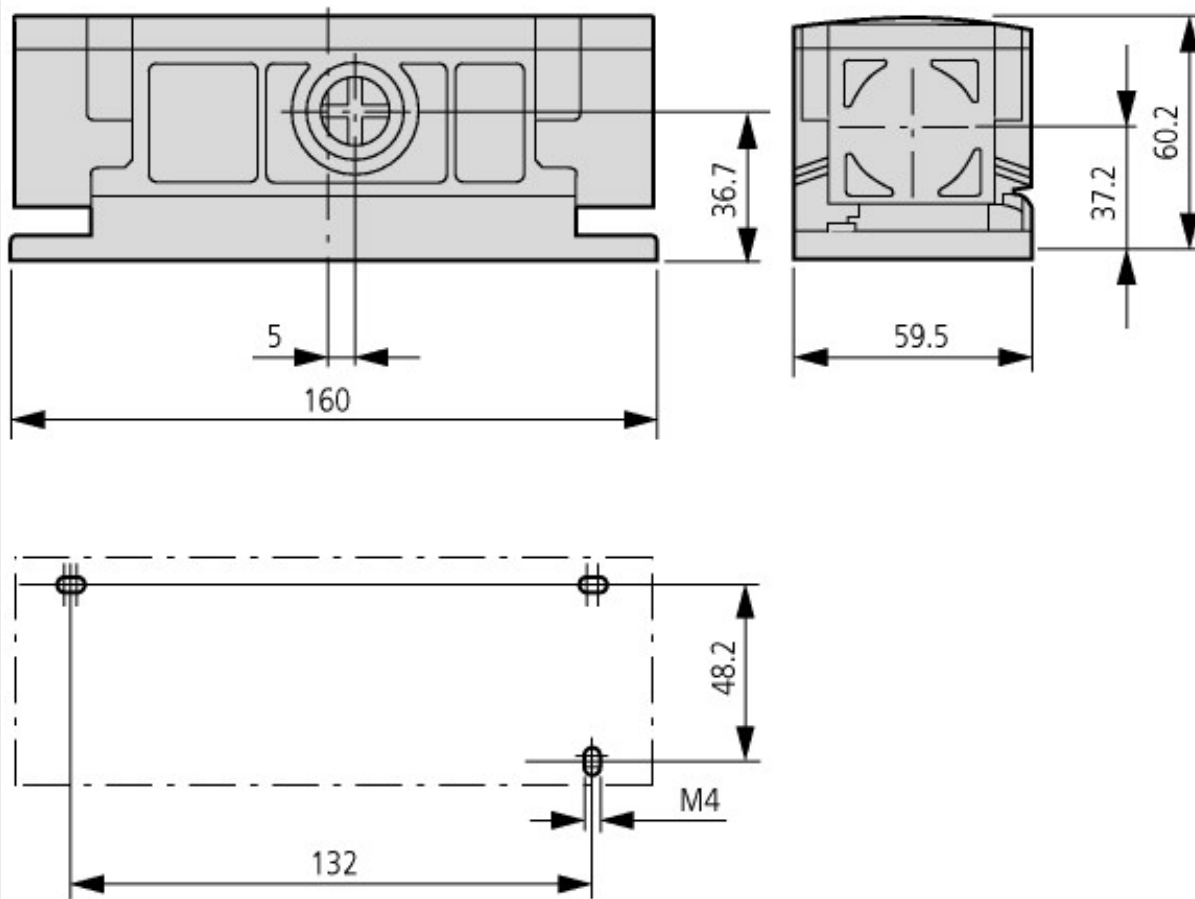
### Design verification as per IEC/EN 61439

Technical data for design verification			
Operating ambient temperature min.		°C	-30
Operating ambient temperature max.		°C	50

### Technical data ETIM 7.0

Low-voltage industrial components (EG000017) / Accessories for low-voltage switch technology (EC002498)			
Electric engineering, automation, process control engineering / Low-voltage switch technology / Component for low-voltage switching technology / Component for low-voltage switch technology (accessories) (ec1@ss10.0.1-27-37-13-92 [AKN570013])			
Type of accessory			Connection technique

## Dimensions



Distributor module

RA-C1-AM-7

## Assets (links)

### Declaration of CE Conformity

00002775

### Instruction Leaflets

IL03406020Z2018\_05

### Manuals

MN03406003Z\_EN (English)

## Additional product information (links)

### IL03406020Z Rapid Link: Speed Control Unit

IL03406020Z Rapid Link: Speed Control Unit [ftp://ftp.moeller.net/DOCUMENTATION/AWA\\_INSTRUCTIONS/IL03406020Z2018\\_05.pdf](ftp://ftp.moeller.net/DOCUMENTATION/AWA_INSTRUCTIONS/IL03406020Z2018_05.pdf)

### MN03406003Z Rapid Link 4.0

MN03406003Z Rapid Link 4.0 - Deutsch [ftp://ftp.moeller.net/DOCUMENTATION/AWB\\_MANUALS/MN03406003Z\\_DE.pdf](ftp://ftp.moeller.net/DOCUMENTATION/AWB_MANUALS/MN03406003Z_DE.pdf)

MN03406003Z Rapid Link 4.0 - English [ftp://ftp.moeller.net/DOCUMENTATION/AWB\\_MANUALS/MN03406003Z\\_EN.pdf](ftp://ftp.moeller.net/DOCUMENTATION/AWB_MANUALS/MN03406003Z_EN.pdf)

MN03406003Z Rapid Link 4.0 - français [ftp://ftp.moeller.net/DOCUMENTATION/AWB\\_MANUALS/MN03406003Z\\_FR.pdf](ftp://ftp.moeller.net/DOCUMENTATION/AWB_MANUALS/MN03406003Z_FR.pdf)

CA04020001Z-EN Product Range Catalog: Efficient Engineering for Starting and Controlling Motors [http://www.eaton.eu/DE/ecm/groups/public/@pub/@europe/@electrical/documents/content/pct\\_1095238.pdf](http://www.eaton.eu/DE/ecm/groups/public/@pub/@europe/@electrical/documents/content/pct_1095238.pdf)