



**Key-operated actuator, RMQ-Titan, Key operated, maintained, Not suitable for master key systems, 3 positions, Bezel: titanium**




**Part no.** M22-WRS3-A\*  
**Catalog No.** 229094  
**Alternate Catalog No.** -

**Delivery program**

|                                      |  |  |  |
|--------------------------------------|--|--|--|
| Product range                        |  |  | RMQ-Titan  |
| Basic function                       |  |  | Key-operated buttons   |
| Single unit/Complete unit            |  |  | Single unit  |
| Design                               |  |  | Key operated<br>maintained   |
| <b>Function:</b>                     |  |  |  |
|                                      |  |  | 60° # 60°  |
|                                      |  |  | Not suitable for master key systems  |
|                                      |  |  | 3 positions  |
| <b>Key withdrawable in position</b>  |  |  |  |
|                                      |  |  | Selectable   |
| Degree of Protection                 |  |  | IP66   |
| Front ring                           |  |  | Bezel: titanium  |
| Connection to SmartWire-DT           |  |  | yes<br>with SWD-RMQ connections  |
| Front dimensions                     |  |  | 29,7   |
| <b>Instructions</b>                  |  |  | Stay-put/spring-return function, can be changed with coding parts M22-XC-Y<br>Key withdraw convertible with coding adapters M22-XC-...<br>with plunger bridge for the middle contact |
| Information about equipment supplied |  |  | With 1 key   |

**Technical data**

|                             |              |                   |  |
|-----------------------------|--------------|-------------------|--|
| <b>General</b>              |              |                   |  |
| Standards                   |              |                   | IEC/EN 60947<br>VDE 0660   |
| Lifespan, mechanical        | Operations   | x 10 <sup>6</sup> | > 0.1  |
| Operating frequency         | Operations/h |                   | ≤ 100  |
| Operating torque            |              | Nm                | ≤ 0.5  |
| Climatic proofing           |              |                   | Damp heat, constant, to IEC 60068-2-78<br>Damp heat, cyclic, to IEC 60068-2-30   |
| Degree of Protection        |              |                   | IP66   |
| Ambient temperature         |              |                   |  |
| Open                        |              | °C                | -25 - +70  |
| Mounting position           |              |                   | As required  |
| Mechanical shock resistance |              | g                 | 30<br>Shock duration 11 ms<br>Sinusoidal<br>according to IEC 60068-2-27  |
| shipping classification     |              |                   | DNV<br>GL<br>LR  |
|                             |              |                   |    |

## Design verification as per IEC/EN 61439

| Technical data for design verification   |            |    |  |
|--|------------|----|--|
| Rated operational current for specified heat dissipation   | $I_n$      | A  | 0  |
| Heat dissipation per pole, current-dependent   | $P_{vid}$  | W  | 0  |
| Equipment heat dissipation, current-dependent  | $P_{vid}$  | W  | 0  |
| Static heat dissipation, non-current-dependent   | $P_{vs}$   | W  | 0  |
| Heat dissipation capacity  | $P_{diss}$ | W  | 0  |
| Operating ambient temperature min.   |            | °C | -25  |
| Operating ambient temperature max.   |            | °C | 70   |
| IEC/EN 61439 design verification   |            |    |  |
| 10.2 Strength of materials and parts   |            |    |  |
| 10.2.2 Corrosion resistance  |            |    |  |
|  |            |    | Meets the product standard's requirements.   |
| 10.2.3.1 Verification of thermal stability of enclosures   |            |    |  |
|  |            |    | Meets the product standard's requirements.   |
| 10.2.3.2 Verification of resistance of insulating materials to normal heat   |            |    |  |
|  |            |    | Meets the product standard's requirements.   |
| 10.2.3.3 Verification of resistance of insulating materials to abnormal heat and fire due to internal electric effects |            |    |  |
|  |            |    | Meets the product standard's requirements.   |
| 10.2.4 Resistance to ultra-violet (UV) radiation   |            |    |  |
|  |            |    | Please enquire   |
| 10.2.5 Lifting   |            |    |  |
|  |            |    | Does not apply, since the entire switchgear needs to be evaluated.                                       |
| 10.2.6 Mechanical impact   |            |    |  |
|  |            |    | Does not apply, since the entire switchgear needs to be evaluated.                                       |
| 10.2.7 Inscriptions  |            |    |  |
|  |            |    | Meets the product standard's requirements.   |
| 10.3 Degree of protection of ASSEMBLIES  |            |    |  |
|  |            |    | Does not apply, since the entire switchgear needs to be evaluated.                                       |
| 10.4 Clearances and creepage distances   |            |    |  |
|  |            |    | Meets the product standard's requirements.   |
| 10.5 Protection against electric shock   |            |    |  |
|  |            |    | Does not apply, since the entire switchgear needs to be evaluated.                                       |
| 10.6 Incorporation of switching devices and components   |            |    |  |
|  |            |    | Does not apply, since the entire switchgear needs to be evaluated.                                       |
| 10.7 Internal electrical circuits and connections  |            |    |  |
|  |            |    | Is the panel builder's responsibility.   |
| 10.8 Connections for external conductors   |            |    |  |
|  |            |    | Is the panel builder's responsibility.   |
| 10.9 Insulation properties   |            |    |  |
| 10.9.2 Power-frequency electric strength   |            |    |  |
|  |            |    | Is the panel builder's responsibility.   |
| 10.9.3 Impulse withstand voltage   |            |    |  |
|  |            |    | Is the panel builder's responsibility.   |
| 10.9.4 Testing of enclosures made of insulating material   |            |    |  |
|  |            |    | Is the panel builder's responsibility.   |
| 10.10 Temperature rise   |            |    |  |
|  |            |    | Not applicable.  |
| 10.11 Short-circuit rating   |            |    |  |
|  |            |    | Is the panel builder's responsibility. The specifications for the switchgear must be observed.           |
| 10.12 Electromagnetic compatibility  |            |    |  |
|  |            |    | Is the panel builder's responsibility. The specifications for the switchgear must be observed.           |
| 10.13 Mechanical function  |            |    |  |
|  |            |    | The device meets the requirements, provided the information in the instruction leaflet (IL) is observed. |

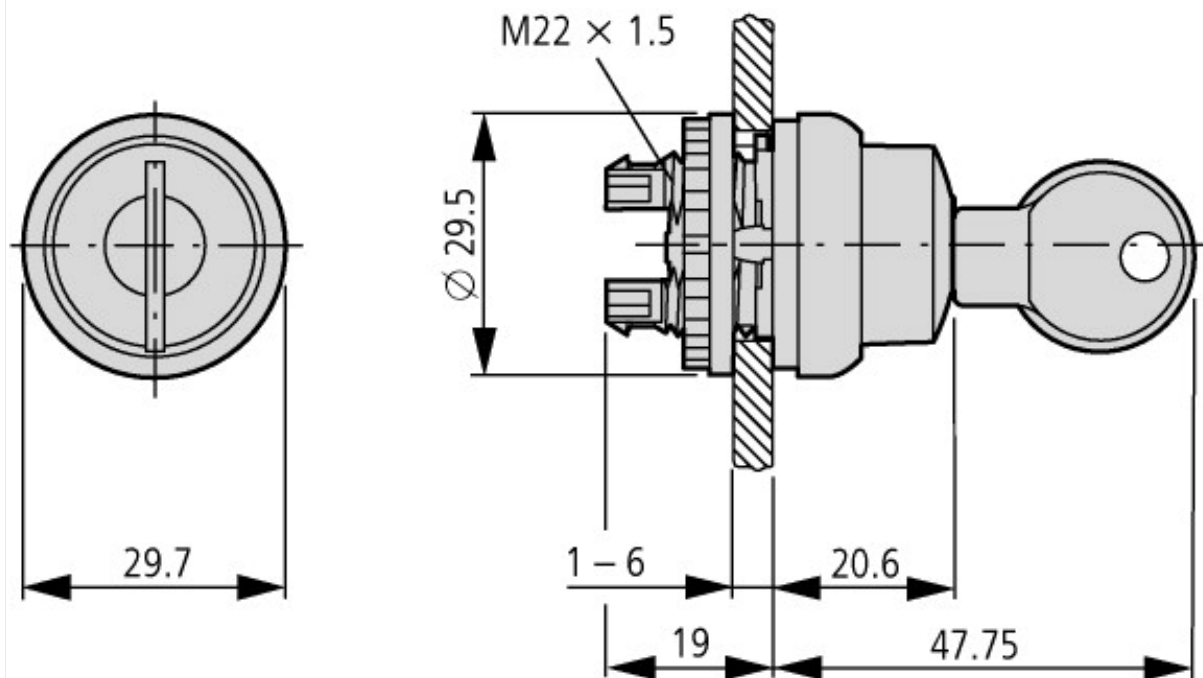
## Technical data ETIM 7.0

| Low-voltage industrial components (EG000017) / Front element for selector switch (EC000222)   |  |    |         |
|---|--|----|---------|
| Electric engineering, automation, process control engineering / Low-voltage switch technology / Command and alarm device / Front element for selector switches (ecl@ss10.0.1-27-37-12-13 [AKF031014]) |  |    |         |
| Number of switch positions  |  |    | 3       |
| Type of control element   |  |    | Key     |
| Suitable for illumination   |  |    | No      |
| Colour control element  |  |    | Black   |
| Colour indicator light cap  |  |    | Other   |
| Construction type lens  |  |    | Round   |
| Hole diameter   |  | mm | 22.5    |
| Width opening   |  | mm | 0       |
| Height opening  |  | mm | 0       |
| Switching function latching   |  |    | Yes     |
| Spring-return   |  |    | No      |
| With front ring   |  |    | Yes     |
| Material front ring   |  |    | Plastic |
| Colour front ring   |  |    | Other   |
| Degree of protection (IP), front side   |  |    | IP66    |

## Approvals

|                             |  |
|-----------------------------|--|
| Product Standards           | IEC/EN 60947-5; UL 508; CSA-C22.2 No. 14-05; CSA-C22.2 No. 94-91; CE marking |
| UL File No.                 | E29184   |
| UL Category Control No.     | NKCR   |
| CSA File No.                | 012528   |
| CSA Class No.               | 3211-03  |
| North America Certification | UL listed, CSA certified   |
| Degree of Protection        | UL/CSA Type 3R, 4X, 12, 13   |

## Dimensions



Individual lock mechanism

## Assets (links)

### Declaration of CE Conformity

00003256

## Additional product information (links)

### IL04716002Z (AWA1160-1745) RMQ-Titan System

IL04716002Z (AWA1160-1745) RMQ-Titan System

[ftp://ftp.moeller.net/DOCUMENTATION/AWA\\_INSTRUCTIONS/IL04716002Z2018\\_10.pdf](ftp://ftp.moeller.net/DOCUMENTATION/AWA_INSTRUCTIONS/IL04716002Z2018_10.pdf)