



**Adapter M20 in PG13.5**

**Part no.** VPG13,5/M20  
**Catalog No.** 225268  
**Alternate Catalog No.** VPG13P5ZOLL-M20

**Delivery program**

|                |  |               |
|----------------|--|---------------|
| Product range  |  | Accessories   |
| Basic function |  | Adapter       |
|                |  | M20 on PG13,5 |
| For use with   |  | MCS, MCSN     |

**Design verification as per IEC/EN 61439**

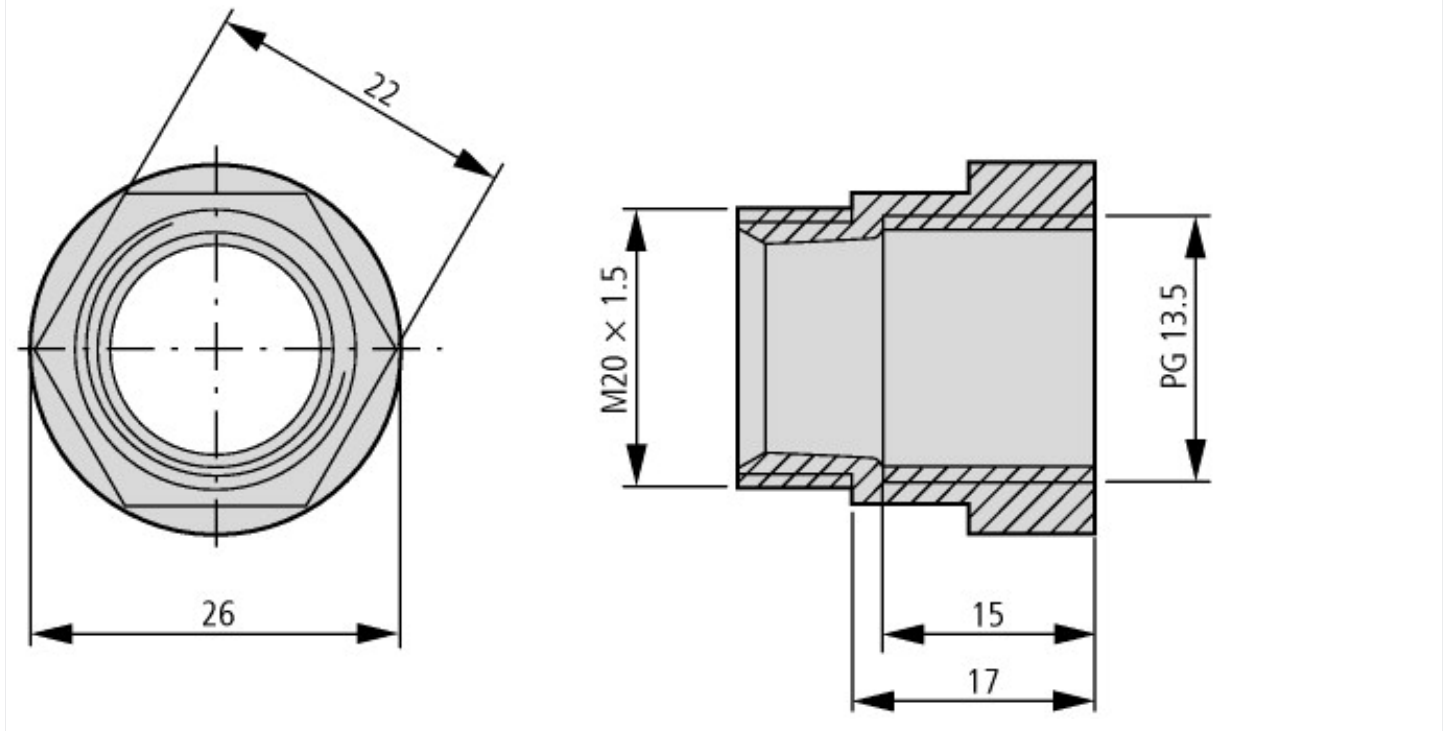
| Technical data for design verification   |            |   |  |
|--|------------|---|--|
| Rated operational current for specified heat dissipation   | $I_n$      | A | 0  |
| Heat dissipation per pole, current-dependent   | $P_{vid}$  | W | 0  |
| Equipment heat dissipation, current-dependent  | $P_{vid}$  | W | 0  |
| Static heat dissipation, non-current-dependent   | $P_{vs}$   | W | 0  |
| Heat dissipation capacity  | $P_{diss}$ | W | 0  |
| IEC/EN 61439 design verification   |            |   |  |
| 10.2 Strength of materials and parts   |            |   |  |
| 10.2.2 Corrosion resistance  |            |   | Meets the product standard's requirements.   |
| 10.2.3.1 Verification of thermal stability of enclosures   |            |   | Meets the product standard's requirements.   |
| 10.2.3.2 Verification of resistance of insulating materials to normal heat   |            |   | Meets the product standard's requirements.   |
| 10.2.3.3 Verification of resistance of insulating materials to abnormal heat and fire due to internal electric effects |            |   | Meets the product standard's requirements.   |
| 10.2.4 Resistance to ultra-violet (UV) radiation   |            |   | Please enquire   |
| 10.2.5 Lifting   |            |   | Does not apply, since the entire switchgear needs to be evaluated.                                       |
| 10.2.6 Mechanical impact   |            |   | Does not apply, since the entire switchgear needs to be evaluated.                                       |
| 10.2.7 Inscriptions  |            |   | Meets the product standard's requirements.   |
| 10.3 Degree of protection of ASSEMBLIES  |            |   | Does not apply, since the entire switchgear needs to be evaluated.                                       |
| 10.4 Clearances and creepage distances   |            |   | Meets the product standard's requirements.   |
| 10.5 Protection against electric shock   |            |   | Does not apply, since the entire switchgear needs to be evaluated.                                       |
| 10.6 Incorporation of switching devices and components   |            |   | Does not apply, since the entire switchgear needs to be evaluated.                                       |
| 10.7 Internal electrical circuits and connections  |            |   | Is the panel builder's responsibility.   |
| 10.8 Connections for external conductors   |            |   | Is the panel builder's responsibility.   |
| 10.9 Insulation properties   |            |   |  |
| 10.9.2 Power-frequency electric strength   |            |   | Is the panel builder's responsibility.   |
| 10.9.3 Impulse withstand voltage   |            |   | Is the panel builder's responsibility.   |
| 10.9.4 Testing of enclosures made of insulating material   |            |   | Is the panel builder's responsibility.   |
| 10.10 Temperature rise   |            |   | Not applicable.  |
| 10.11 Short-circuit rating   |            |   | Is the panel builder's responsibility. The specifications for the switchgear must be observed.           |
| 10.12 Electromagnetic compatibility  |            |   | Is the panel builder's responsibility. The specifications for the switchgear must be observed.           |
| 10.13 Mechanical function  |            |   | The device meets the requirements, provided the information in the instruction leaflet (IL) is observed. |

**Technical data ETIM 7.0**

|  |  |      |
|--|--|------|
| Cable and wire entry systems (EG000009) / Enlargement/reducing ring (EC000938)   |  |      |
| Electric engineering, automation, process control engineering / Cable, pipe, hose laying (electric installation) / Cable protection hose (electric installation) / Enlargement/reducing ring (electric) (ec1@ss10.0.1-27-43-03-14 [ADT439007]) |  |      |
| Thread type inner thread   |  | PG   |
| Thread size inner thread metric  |  | 0    |
| Thread size PG inner thread  |  | 13.5 |

|                                 |  |         |
|---------------------------------|--|---------|
| Thread size inner thread (inch) |  | Other   |
| Thread type outer thread        |  | Metric  |
| Thread size outer thread metric |  | 20      |
| Thread size PG outer thread     |  | 0       |
| Thread size outer thread (inch) |  | Other   |
| Material                        |  | Plastic |
| Material quality                |  | Other   |
| Nickel-plated                   |  | No      |
| Explosion-proof                 |  | No      |

## Dimensions



## Assets (links)

[Declaration of CE Conformity](#)

00002834