




Contact element, Cage Clamp, Front fixing, 1 N/O, 24 V 3 A, 220 V 230 V 240 V 6 A

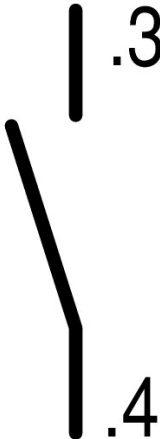
Part no. M22-CK10
Catalog No. 216384
Alternate Catalog No. M22-CK10Q
EL-Nummer (Norway) 4355460

Delivery program


Product range		Accessories
Basic function accessories		Contact elements
Accessories		Auxiliary contact
Accessories		Standard auxiliary contact, trip-indicating auxiliary switch
Standard/Approval		UL/CSA, IEC
Construction size		NZM1/2/3/4
Description		Cage Clamp is a registered trademark of Wago Kontakttechnik GmbH/Minden, Germany
Connection technique		Cage Clamp
Fixing		Front fixing
Degree of Protection		IP20
Connection to SmartWire-DT		no
For use with		NZM1(-4), 2(-4), 3(-4), 4(-4) PN1(-4), 2(-4), 3(-4) N(S)1(-4), 2(-4), 3(-4), 4(-4)
Approval		

Contacts

N/O = Normally open		1 N/O
---------------------	--	-------

Contact sequence		
------------------	--	--

Contact travel diagram, stroke in connection with front element

Contact diagram		
-----------------	--	--

Configuration			<table border="1"> <tr> <td>1/4</td> <td>3/6</td> <td>2/5</td> </tr> </table>	1/4	3/6	2/5
1/4	3/6	2/5				
Connection type			Single contact			
Description of HIA trip-indicating auxiliary contact			<p>General trip indication '+', when tripped by shunt release, overload release, short-circuit release or by the residual-current release due to residual-current.</p> <p>Can be used with NZM1, 2, 3 circuit-breaker: a trip-indicating auxiliary contact can be clipped into the circuit-breaker.</p> <p>Can be used with NZM4 circuit-breaker: up to two standard auxiliary contacts can be clipped into the circuit-breaker.</p> <p>Any combinations of the auxiliary contact types are possible.</p> <p>Not in combination with switch-disconnector PN...</p> <p>Marking on switch: HIA</p> <p>Labeling in FI-Block: HIAFI.</p> <p>If the trip-indicating auxiliary switch in the fault current block is used, the NC contacts operates as a N/O contact and the NC contact operates as an N/O contact.</p>			
Description standard auxiliary contact HIN			<p>Switching with the main contacts Used for indicating and interlocking tasks.</p> <p>Can be used with NZM1 circuit-breaker: a standard auxiliary contact can be clipped into the circuit-breaker.</p> <p>Can be used with NZM2 size circuit-breaker: a standard auxiliary contact can be clipped into the circuit-breaker.</p> <p>Can be used with NZM3, 4 circuit-breaker: up to three standard auxiliary contacts can be clipped into the circuit-breaker.</p> <p>Any combinations of the auxiliary contact types are possible.</p> <p>Marking on switch: HIN.</p> <p>On combination with remote operator NZM-XR... the right mounting location of standard auxiliary contact HIN can be fitted only with individual contacts.</p>			
Connection technique			Cage Clamp			
Notes						
The following can be clipped into the switches:						
<ul style="list-style-type: none"> NZM1: a standard auxiliary contact NZM2: up to two M22-(C)K... standard auxiliary contacts NZM3: up to three M22-(C)K... standard auxiliary contacts NZM4: up to three M22-(C)K... standard auxiliary contacts 						
Any combinations of the auxiliary contact types are possible.						
Marking on switch: HIN						
In combination with remote operator NZM-XR... only single contacts can be fitted to some installation locations of the standard auxiliary contact.						
NZM2: Only single contact can be fitted in left installation location of standard auxiliary contact.						
NZM3: Only single contact can be fitted in installation locations of standard auxiliary contact.						
NZM4: Only single contact can be fitted in right installation location of standard auxiliary contact.						

Technical data

General

Standards			IEC 60947-5-1
Lifespan, mechanical	Operations	$\times 10^6$	> 5
Operating frequency	Operations/h		≤ 3600
Actuating force	n		≤ 5
Degree of Protection			IP20
Climatic proofing			Damp heat, constant, to IEC 60068-2-78 Damp heat, cyclic, to IEC 60068-2-30
Ambient temperature			
Open		°C	-25 - +70
Mechanical shock resistance to IEC 60068-2-27 Shock duration 11 ms, half-sinusoidal		g	> 30
Terminal capacities		mm ²	
Solid		mm ²	0.75 - 2.5
Stranded		mm ²	0.5 - 2.5
Flexible with ferrule		mm ²	0.5 - 1.5

Contacts

Rated impulse withstand voltage	U_{imp}	V AC	6000
Rated insulation voltage	U_i	V	500
Overvoltage category/pollution degree			III/3
Control circuit reliability			

at 24 V DC/5 mA	H _F	Fault probability	< 10 ⁻⁷ (i.e. 1 failure to 10 ⁷ operations)
at 5 V DC/1 mA	H _F	Fault probability	< 5 x 10 ⁻⁶ (i.e. 1 failure in 5 x 10 ⁶ operations)
Max. short-circuit protective device			
Fuseless		Type	PKZM0-10/FAZ-B6/1
Fuse	gG/gL	A	10

Switching capacity

Rated operational current	I _e	A	
AC-15			
115 V	I _e	A	6
220 V 230 V 240 V	I _e	A	6
380 V 400 V 415 V	I _e	A	4
500 V	I _e	A	2
DC-13			
24 V	I _e	A	3
42 V	I _e	A	1.7
60 V	I _e	A	1.2
110 V	I _e	A	0.8
220 V	I _e	A	0.3
Lifespan, electrical			
AC-15			
230 V/0.5 A	Operations	x 10 ⁶	1.6
230 V/1.0 A	Operations	x 10 ⁶	1
230 V/3.0 A	Operations	x 10 ⁶	0.7
DV-13			
12 V/2.8 A	Operations	x 10 ⁶	1.2

Auxiliary contacts

Rated operational voltage	U _e	V	
Rated operational voltage	U _e	V AC	500
Rated operational voltage, max.	U _e	V DC	220
Conventional thermal current	I _{th} = I _e	CSA	4
Rated operational current	I _e	A	
Different rated operational currents when used as auxiliary contact for NZM circuit-breaker			
			M22- (C)K10(01) M22- CK11(02) (20) XHIV
			bei AC = 50/60 Hz
			Bemessungsbetriebsstrom
	AC-15	15 V	I _e A 4 4 4
	230 V	I _e A 4 4 4	
	400 V	I _e A 2 - 2	
	500 V	I _e A 1 - 1	
	DC-13	24 V	I _e A 3 3 3
	42 V	I _e A 1.7 1 1.5	
	60 V	I _e A 1.2 0.8 0.8	
	110 V	I _e A 0.6 0.5 0.5	
	220 V	I _e A 0.3 0.2 0.2	
Short-circuit protection			
max. fuse		A gG/gL	10
Max. miniature circuit-breaker		A	FAZ-B6/B1
Operating times			
			Early-make time of the HIV compared to the main contacts during with make and break switching. (switch times with manual operation): NZM1, PN1, N(S)1: ca. 20 ms

		NZM2, PN2, N(S)2: ca. 20 ms NZM3, PN3, N(S)3: ca. 20 ms NZM4, N(S)4: approx. 90 ms, the HIV switch early Offswitching not forward.
Terminal capacities	mm ²	
Solid or flexible conductor, with ferrule	mm ²	1 x (0,75 - 2,5) 2 x (0,75 - 2,5)
Other technical data (sheet catalogue)		Maximum equipment and position of the internal accessories

Design verification as per IEC/EN 61439

Technical data for design verification				
Rated operational current for specified heat dissipation	I _n	A		6
Heat dissipation per pole, current-dependent	P _{vid}	W		0.11
Equipment heat dissipation, current-dependent	P _{vid}	W		0
Static heat dissipation, non-current-dependent	P _{vs}	W		0
Heat dissipation capacity	P _{diss}	W		0
Operating ambient temperature min.		°C		-25
Operating ambient temperature max.		°C		70
IEC/EN 61439 design verification				
10.2 Strength of materials and parts				
10.2.2 Corrosion resistance				
				Meets the product standard's requirements.
10.2.3.1 Verification of thermal stability of enclosures				
				Meets the product standard's requirements.
10.2.3.2 Verification of resistance of insulating materials to normal heat				
				Meets the product standard's requirements.
10.2.3.3 Verification of resistance of insulating materials to abnormal heat and fire due to internal electric effects				
				Meets the product standard's requirements.
10.2.4 Resistance to ultra-violet (UV) radiation				
				Meets the product standard's requirements.
10.2.5 Lifting				
				Does not apply, since the entire switchgear needs to be evaluated.
10.2.6 Mechanical impact				
				Does not apply, since the entire switchgear needs to be evaluated.
10.2.7 Inscriptions				
				Meets the product standard's requirements.
10.3 Degree of protection of ASSEMBLIES				
				Does not apply, since the entire switchgear needs to be evaluated.
10.4 Clearances and creepage distances				
				Meets the product standard's requirements.
10.5 Protection against electric shock				
				Does not apply, since the entire switchgear needs to be evaluated.
10.6 Incorporation of switching devices and components				
				Does not apply, since the entire switchgear needs to be evaluated.
10.7 Internal electrical circuits and connections				
				Is the panel builder's responsibility.
10.8 Connections for external conductors				
				Is the panel builder's responsibility.
10.9 Insulation properties				
10.9.2 Power-frequency electric strength				
				Is the panel builder's responsibility.
10.9.3 Impulse withstand voltage				
				Is the panel builder's responsibility.
10.9.4 Testing of enclosures made of insulating material				
				Is the panel builder's responsibility.
10.10 Temperature rise				
				The panel builder is responsible for the temperature rise calculation. Eaton will provide heat dissipation data for the devices.
10.11 Short-circuit rating				
				Is the panel builder's responsibility. The specifications for the switchgear must be observed.
10.12 Electromagnetic compatibility				
				Is the panel builder's responsibility. The specifications for the switchgear must be observed.
10.13 Mechanical function				
				The device meets the requirements, provided the information in the instruction leaflet (IL) is observed.

Technical data ETIM 7.0

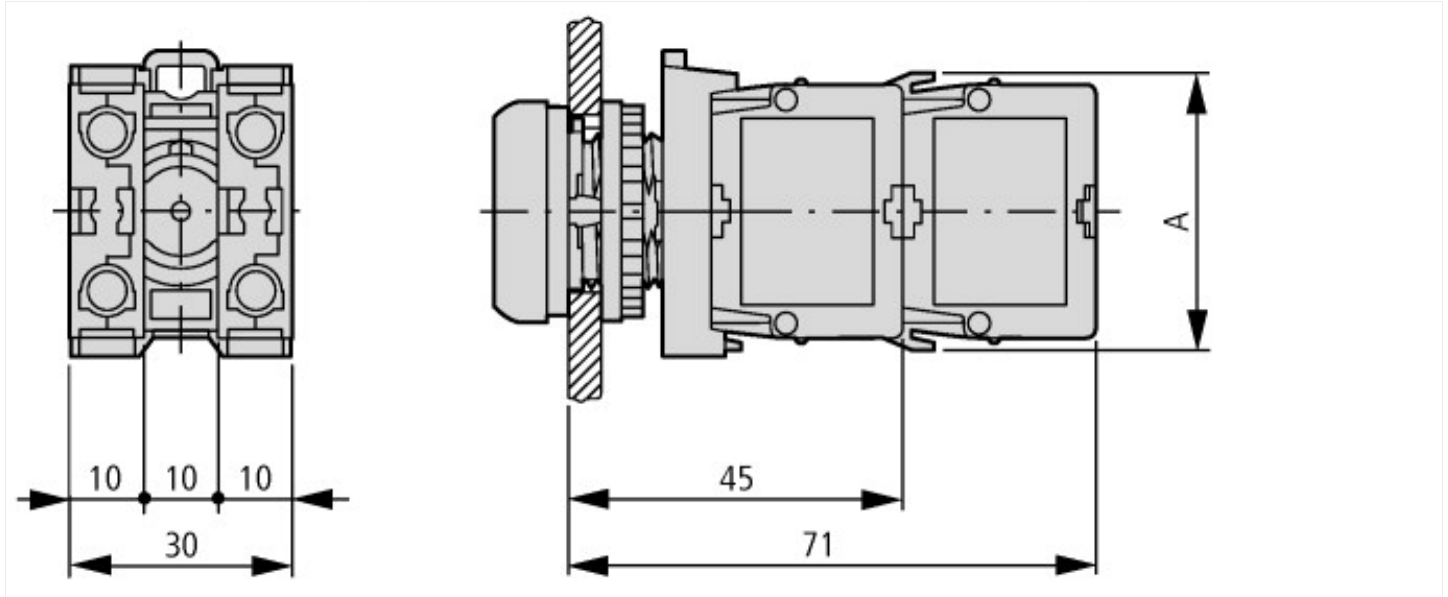
Low-voltage industrial components (EG000017) / Auxiliary contact block (EC000041)				
Electric engineering, automation, process control engineering / Low-voltage switch technology / Component for low-voltage switching technology / Auxiliary switch block (ecl@ss10.0.1-27-37-13-02 [AKN342013])				
Number of contacts as change-over contact				0
Number of contacts as normally open contact				1
Number of contacts as normally closed contact				0
Number of fault-signal switches				0
Rated operation current I _e at AC-15, 230 V		A		6
Type of electric connection				Spring clamp connection
Model				Top mounting and integrable

Mounting method		Front fastening
Lamp holder		None

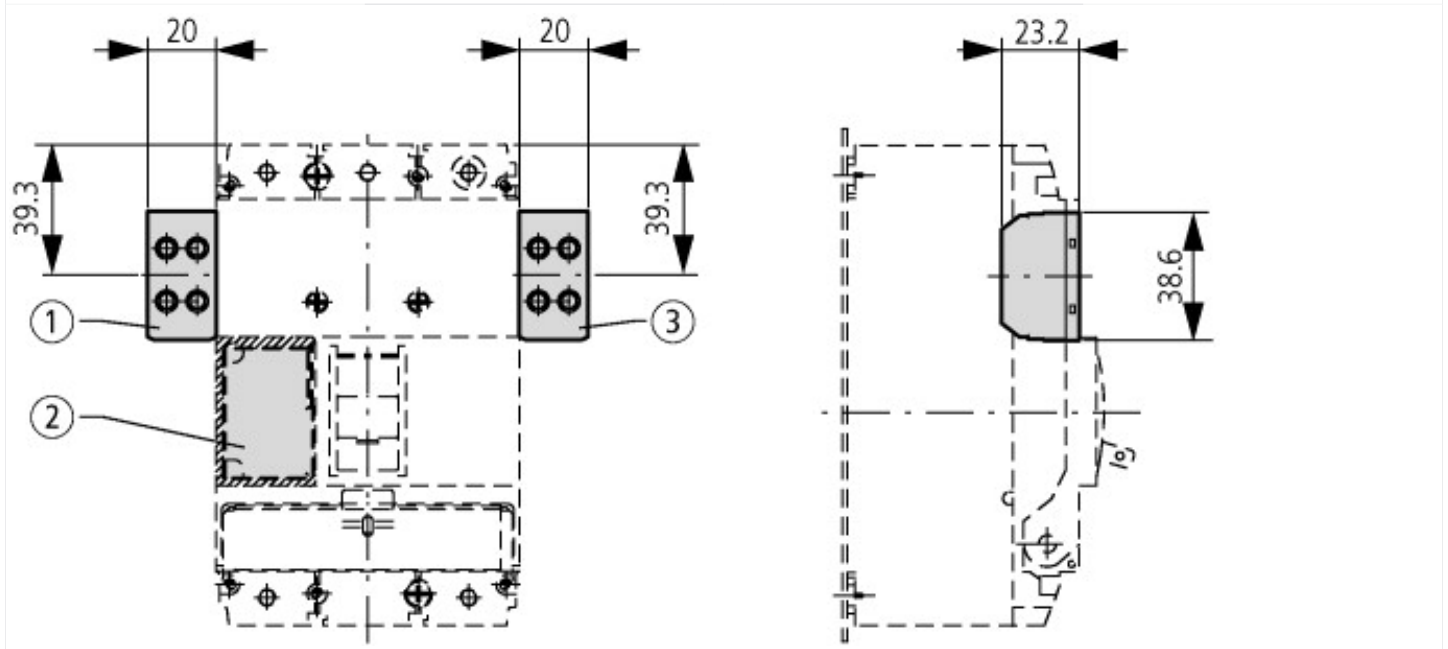
Approvals

Product Standards		IEC/EN 60947-5; UL 508; CSA-C22.2 No. 14-05; CSA-C22.2 No. 94-91; CE marking
UL File No.		E29184
UL Category Control No.		NKCR
CSA File No.		012528
CSA Class No.		3211-03
North America Certification		UL listed, CSA certified
Degree of Protection		UL/CSA Type: -

Dimensions



A = 39



Pushbutton with M22-(C)K...
Pushbutton with M22-(C) LED... + M22-XLED...

Additional product information (links)

DGUV Test Mark Customer Information	http://www.dguv.de/medien/dguv-test-medien/_pdf_zip_doc_ppt/agn-und-pzo/dguv_test_zeichen_infoblatt_kunden.pdf
Maximum equipment and position of the internal accessories	http://ecat.moeller.net/flip-cat/?edition=HPLEN&startpage=17.178