



Signal tower, +indicator light, red yellow green, 24VAC/DC, continuous light

Part no. SL-100-L-RYG/24
 Catalog No. 205352
 Alternate Catalog No. SL-100-L-RYG/24

Delivery program

Product range			SL signal towers
Single unit/Complete unit			Complete unit
Description			Base module with foot and 100 mm tube including filament lamp Continuous light
Rated operational voltage	U _e	V	24 V AC/DC
Number of modules			3
Colour			Red, yellow, green
			
Connection to SmartWire-DT			no

Technical data

General			
Standards			IEC/EN 60947
Degree of protection, IEC/EN 60529			IP54, IP65 with SL-IP65 gasket, IP20 with acoustic module SL-A
Climatic proofing			Damp heat, constant, to IEC 60068-2-78 Damp heat, cyclic, to IEC 60068-2-30
Ambient temperature			
Enclosed		°C	- 25 - 50
Mounting position			As required
Mechanical shock resistance		g	> 15

			according to IEC 60068-2-27 Shock duration 11 ms Sinusoidal
Terminal capacities		mm ²	
Solid		mm ²	0.75 ... 2.5
Stranded		mm ²	0.5 ... 2.5

Contacts

Rated impulse withstand voltage	U _{imp}	V AC	4000
Rated insulation voltage	U _i	V	250
Overvoltage category/pollution degree			III/3

Design verification as per IEC/EN 61439

Technical data for design verification			
Operating ambient temperature min.		°C	-25
Operating ambient temperature max.		°C	55

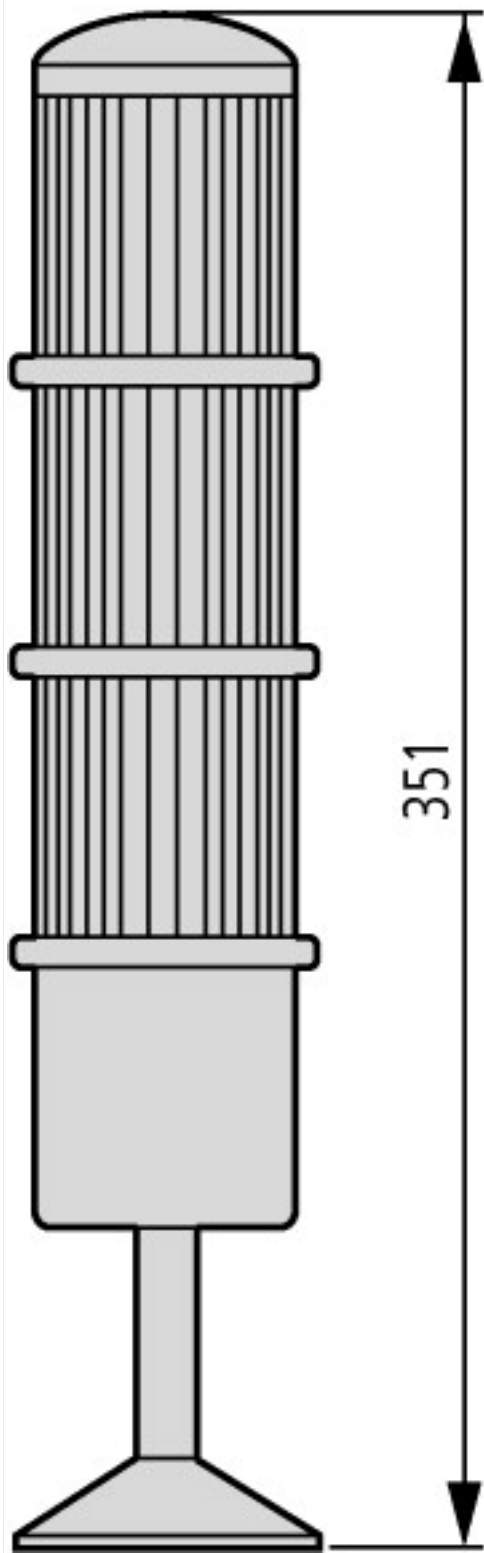
Technical data ETIM 5.0

Low-voltage industrial components (EG000017) / Signal tower complete (EC001042)			
Electric engineering, automation, process control engineering / Low-voltage switch technology / Command and alarm device / Signal tower complete (ecl@ss8-27-37-12-30 [AKF048010])			
Number of signal tower elements			3
Flashlight			No
Continuous light			Yes
Flashing light			No
Function acoustic			No
Voltage type for actuating			AC/DC
Degree of protection (IP)			IP54
Rated operating voltage U _e		V	24 - 24
Outer diameter		mm	58

Approvals

Product Standards			IEC/EN 60947-5; UL 508; CSA-C22.2 No. 14-05; CSA-C22.2 No. 94-91; CE marking
UL File No.			E29184
UL Category Control No.			NKCR
CSA File No.			012528
CSA Class No.			3211-03
North America Certification			UL listed, CSA certified
Degree of Protection			UL/CSA Type 12, with additional SL-IP65: Type 4X

Dimensions



Additional product information (links)

IL04716024Z (AWA1160-1685) Pillar lamps

IL04716024Z (AWA1160-1685) Pillar lamps

https://es-assets.eaton.com/DOCUMENTATION/AWA_INSTRUCTIONS/IL04716024Z2018_05.pdf