



Variable frequency drive, 230 V AC, 1-phase, 7 A, 1.5 kW, IP20/NEMA 0, Radio interference suppression filter, 7-digital display assembly



Part no. DA1-127D0FB-A20C
Catalog No. 169081
Alternate Catalog No. DA1-127D0FB-A20C
EL-Nummer (Norway) 4137154

Delivery program

Product range			Variable frequency drives
Part group reference (e.g. DIL)			DA1
Rated operational voltage	U _e		230 V AC, 1-phase 240 V AC, single-phase
Output voltage with V _e	U ₂		230 V AC, 3-phase 240 V AC, 3-phase
Mains voltage (50/60Hz)	U _{LN}	V	200 (-10%) - 240 (+10%)
Rated operational current			
At 150% overload	I _e	A	7
Note			Rated operational current at an operating frequency of 16 kHz and an ambient air temperature of +50 °C
Assigned motor rating			
Note			for normal internally and externally ventilated 4 pole, three-phase asynchronous motors with 1500 rpm ⁻¹ at 50 Hz or 1800 min ⁻¹ at 60 Hz
Note			Overload cycle for 60 s every 600 s
Note			at 230 V, 50 Hz
150 % Overload	P	kW	1.5
150 % Overload	I _M	A	6.3
Note			at 220 - 240 V, 60 Hz
150 % Overload	P	HP	2
150 % Overload	I _M	A	6.8
Degree of Protection			IP20/NEMA 0
Interface/field bus (built-in)			OP-Bus (RS485)/Modbus RTU, CANopen®
Fieldbus connection (optional)			Ethernet IP DeviceNet PROFIBUS PROFINET Modbus-TCP EtherCAT SmartWire-DT
Fitted with			Radio interference suppression filter Brake chopper Additional PCB protection 7-digital display assembly
Frame size			FS2
Connection to SmartWire-DT			yes in conjunction with DX-NET-SWD1 SmartWire DT module

Technical data

General

Standards			Specification for general requirements: IEC/EN 61800-2 EMC requirements: IEC/EN 61800-3 Safety requirements: IEC/EN 61800-5-1
Certifications			CE, UL, cUL, RCM, UkrSEPRO, EAC
Production quality			RoHS, ISO 9001
Climatic proofing	ρ _w	%	< 95%, average relative humidity (RH), non-condensing, non-corrosive
Air quality			3C2, 3S2
Ambient temperature			
Operating ambient temperature min.		°C	-10
Operating ambient temperature max.		°C	+ 50

			operation (with 150 % overload)
Storage	θ	°C	-40 - +60
Radio interference level			
Radio interference class (EMC)			C1 (for conducted emissions only), C2, C3, depending on the motor cable length, the connected load, and ambient conditions. External radio interference suppression filters (optional) may be necessary.
Environment (EMC)			1st and 2nd environments as per EN 61800-3
maximum motor cable length	l	m	C1 ≤ 1 m C2 ≤ 5 m C3 ≤ 25 m
Mounting position			Vertical
Altitude		m	0 - 1000 m above sea level Above 1000 m: 1% derating for every 100 m max. 4000 m
Degree of Protection			IP20/NEMA 0
Protection against direct contact			BGV A3 (VBG4, finger- and back-of-hand proof)
Main circuit			
Supply			
Rated operational voltage	U_e		230 V AC, 1-phase 240 V AC, single-phase
Mains voltage (50/60Hz)	U_{LN}	V	200 (-10%) - 240 (+10%)
Input current (150% overload)	I_{LN}	A	12.9
System configuration			AC supply systems with earthed center point
Supply frequency	f_{LN}	Hz	50/60
Frequency range	f_{LN}	Hz	48 - 62
Mains switch-on frequency			Maximum of one time every 30 seconds
Power section			
Function			Variable frequency drive with internal DC link and IGBT inverter
Overload current (150% overload)	I_L	A	10.5
max. starting current (High Overload)	I_H	%	200
Note about max. starting current			for 4 seconds every 40 seconds
Output voltage with V_e	U_2		230 V AC, 3-phase 240 V AC, 3-phase
Output Frequency	f_2	Hz	0 - 50/60 (max. 500)
Switching frequency	f_{PWM}	kHz	16 adjustable 4 - 32 (audible)
Operation Mode			U/f control Speed control with slip compensation sensorless vector control (SLV) optional: Vector control with feedback (CLV)
Frequency resolution (setpoint value)	Δf	Hz	0.1
Rated operational current			
At 150% overload	I_e	A	7
Note			Rated operational current at an operating frequency of 16 kHz and an ambient air temperature of +50 °C
Power loss			
Heat dissipation at rated operational current $I_e = 150\%$	P_V	W	63
Efficiency	η	%	95.8
Maximum leakage current to ground (PE) without motor	I_{PE}	mA	2.49
Fitted with			Radio interference suppression filter Brake chopper Additional PCB protection 7-digital display assembly
Safety function			STO (Safe Torque Off, SIL2, PLd Cat 3)
Frame size			FS2
Motor feeder			
Note			for normal internally and externally ventilated 4 pole, three-phase asynchronous motors with 1500 rpm^{-1} at 50 Hz or 1800 min^{-1} at 60 Hz
Note			Overload cycle for 60 s every 600 s
Note			at 230 V, 50 Hz
150 % Overload	P	kW	1.5
Note			at 220 - 240 V, 60 Hz

150 % Overload	P	HP	2
maximum permissible cable length	I	m	screened: 100 screened, with motor choke: 200 unscreened: 150 unscreened, with motor choke: 300
Apparent power			
Apparent power at rated operation 230 V	S	kVA	2.79
Apparent power at rated operation 240 V	S	kVA	2.91
Braking function			
Standard braking torque			max. 30 % M_N
DC braking torque			max. 100% of rated operational current I_e , variable
Braking torque with external braking resistance			Max. 100% of rated operational current I_e with external braking resistor
minimum external braking resistance	R_{min}	Ω	50
Switch-on threshold for the braking transistor	U_{DC}	V	390 V DC

Control section

External control voltage	U_c	V	24 V DC (max. 100 mA)
Reference voltage	U_s	V	10 V DC (max. 10 mA)
Analog inputs			2, parameterizable, 0 - 10 V DC, 0/4 - 20 mA
Analog outputs			2, parameterizable, 0 - 10 V, 0/4 - 20 mA
Digital inputs			3, parameterizable, max. 30 VDC, max. 5 for non-parameterized analog inputs
Digital outputs			2, parameterizable, 24 V DC
Relay outputs			2, parameterizable, 1 N/O and 1 changeover contact, 6 A (250 V, AC-1) / 5 A (30 V, DC-1)
Interface/field bus (built-in)			OP-Bus (RS485)/Modbus RTU, CANopen®

Assigned switching and protective elements

Power Wiring			
Safety device (fuse or miniature circuit-breaker)			
IEC (Type B, gG), 150 %			FAZ-B20/1N
UL (Class CC or J)		A	20
Mains contactor			
150 % overload (CT/ I_H , at 50 °C)			DILM7
Main choke			
150 % overload (CT/ I_H , at 50 °C)			DX-LN1-018
Radio interference suppression filter (external, 150 %)			DX-EMC12-014-FS2
Note regarding radio interference suppression filter			Optional external radio interference suppression filter for longer motor cable lengths and for use in different EMC environments
DC link connection			
Braking resistance			
10 % duty factor (DF)			DX-BR050-0K4
20 % duty factor (DF)			DX-BR050-0K8
Motor feeder			
motor choke			
150 % overload (CT/ I_H , at 50 °C)			DX-LM3-008
Sine filter			
150 % overload (CT/ I_H , at 50 °C)			DX-SIN3-010

Design verification as per IEC/EN 61439

Technical data for design verification			
Rated operational current for specified heat dissipation	I_n	A	7
Heat dissipation per pole, current-dependent	P_{vid}	W	0
Equipment heat dissipation, current-dependent	P_{vid}	W	63
Static heat dissipation, non-current-dependent	P_{vs}	W	0
Heat dissipation capacity	P_{diss}	W	0
Operating ambient temperature min.		°C	-10
Operating ambient temperature max.		°C	50
IEC/EN 61439 design verification			

10.2 Strength of materials and parts		
10.2.2 Corrosion resistance		Meets the product standard's requirements.
10.2.3.1 Verification of thermal stability of enclosures		Meets the product standard's requirements.
10.2.3.2 Verification of resistance of insulating materials to normal heat		Meets the product standard's requirements.
10.2.3.3 Verification of resistance of insulating materials to abnormal heat and fire due to internal electric effects		Meets the product standard's requirements.
10.2.4 Resistance to ultra-violet (UV) radiation		Meets the product standard's requirements.
10.2.5 Lifting		Does not apply, since the entire switchgear needs to be evaluated.
10.2.6 Mechanical impact		Does not apply, since the entire switchgear needs to be evaluated.
10.2.7 Inscriptions		Meets the product standard's requirements.
10.3 Degree of protection of ASSEMBLIES		Does not apply, since the entire switchgear needs to be evaluated.
10.4 Clearances and creepage distances		Meets the product standard's requirements.
10.5 Protection against electric shock		Does not apply, since the entire switchgear needs to be evaluated.
10.6 Incorporation of switching devices and components		Does not apply, since the entire switchgear needs to be evaluated.
10.7 Internal electrical circuits and connections		Is the panel builder's responsibility.
10.8 Connections for external conductors		Is the panel builder's responsibility.
10.9 Insulation properties		
10.9.2 Power-frequency electric strength		Is the panel builder's responsibility.
10.9.3 Impulse withstand voltage		Is the panel builder's responsibility.
10.9.4 Testing of enclosures made of insulating material		Is the panel builder's responsibility.
10.10 Temperature rise		The panel builder is responsible for the temperature rise calculation. Eaton will provide heat dissipation data for the devices.
10.11 Short-circuit rating		Is the panel builder's responsibility. The specifications for the switchgear must be observed.
10.12 Electromagnetic compatibility		Is the panel builder's responsibility. The specifications for the switchgear must be observed.
10.13 Mechanical function		The device meets the requirements, provided the information in the instruction leaflet (IL) is observed.

Technical data ETIM 7.0

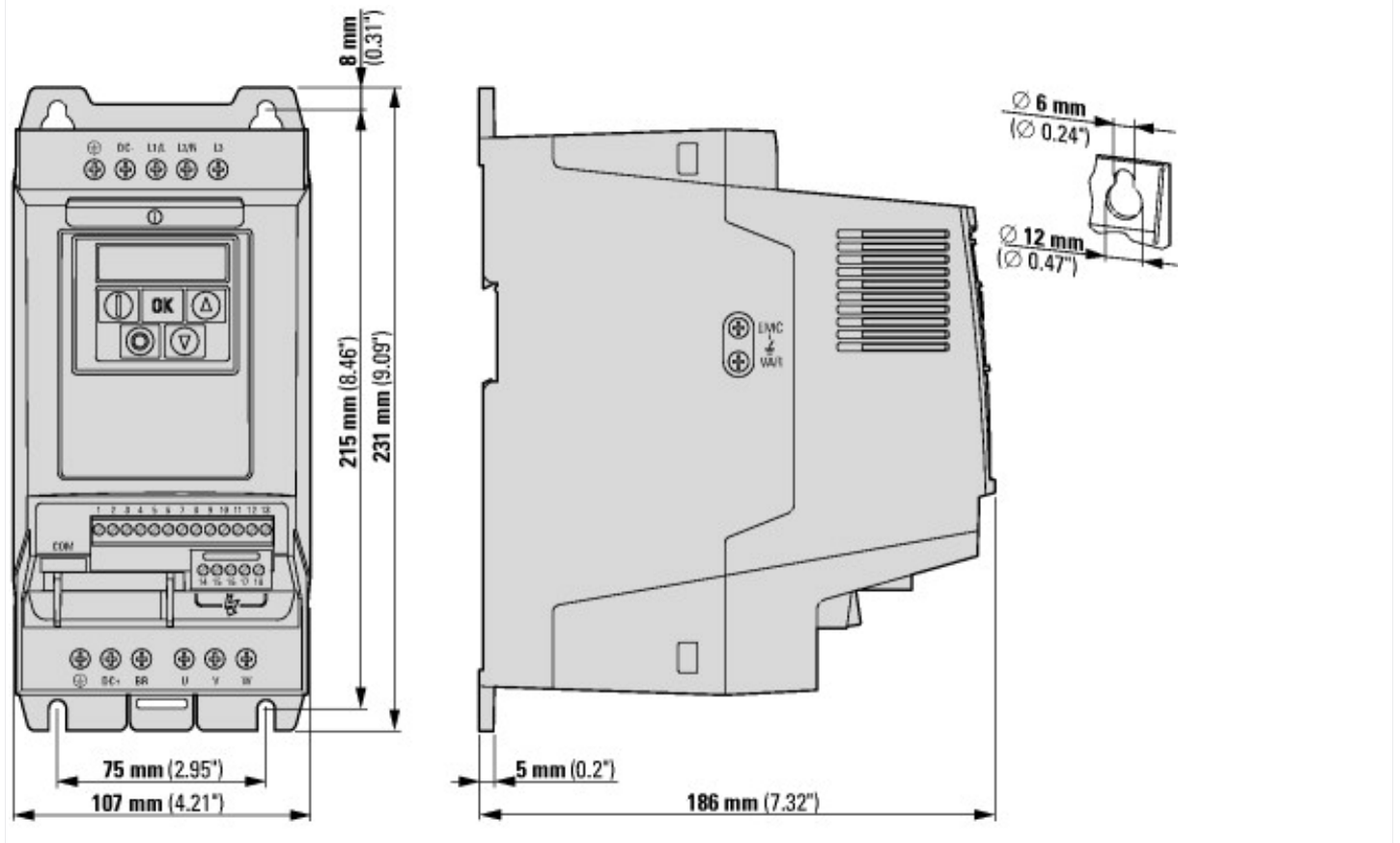
Low-voltage industrial components (EG000017) / Frequency converter =< 1 kV (EC001857)			
Electric engineering, automation, process control engineering / Electrical drive / Static frequency converter / Static frequency converter = < 1 kV (ec!@ss10.0.1-27-02-31-01 [AKE177014])			
Mains voltage	V		200 - 240
Mains frequency			50/60 Hz
Number of phases input			1
Number of phases output			3
Max. output frequency	Hz		500
Max. output voltage	V		250
Nominal output current I2N	A		7
Max. output at quadratic load at rated output voltage	kW		1.5
Max. output at linear load at rated output voltage	kW		1.5
Relative symmetric net frequency tolerance	%		10
Relative symmetric net voltage tolerance	%		10
Number of analogue outputs			2
Number of analogue inputs			2
Number of digital outputs			2
Number of digital inputs			5
With control unit			Yes
Application in industrial area permitted			Yes
Application in domestic- and commercial area permitted			Yes
Supporting protocol for TCP/IP			No
Supporting protocol for PROFIBUS			Yes
Supporting protocol for CAN			Yes
Supporting protocol for INTERBUS			No
Supporting protocol for ASI			No
Supporting protocol for KNX			No
Supporting protocol for MODBUS			Yes

Supporting protocol for Data-Highway		No
Supporting protocol for DeviceNet		Yes
Supporting protocol for SUCONET		No
Supporting protocol for LON		No
Supporting protocol for PROFINET IO		Yes
Supporting protocol for PROFINET CBA		No
Supporting protocol for SERCOS		No
Supporting protocol for Foundation Fieldbus		No
Supporting protocol for EtherNet/IP		Yes
Supporting protocol for AS-Interface Safety at Work		No
Supporting protocol for DeviceNet Safety		No
Supporting protocol for INTERBUS-Safety		No
Supporting protocol for PROFIsafe		No
Supporting protocol for SafetyBUS p		No
Supporting protocol for BACnet		No
Supporting protocol for other bus systems		Yes
Number of HW-interfaces industrial Ethernet		0
Number of interfaces PROFINET		0
Number of HW-interfaces RS-232		0
Number of HW-interfaces RS-422		0
Number of HW-interfaces RS-485		1
Number of HW-interfaces serial TTY		0
Number of HW-interfaces USB		0
Number of HW-interfaces parallel		0
Number of HW-interfaces other		0
With optical interface		No
With PC connection		Yes
Integrated breaking resistance		Yes
4-quadrant operation possible		No
Type of converter		U converter
Degree of protection (IP)		IP20
Degree of protection (NEMA)		Other
Height	mm	231
Width	mm	107
Depth	mm	186

Approvals

Product Standards		UL 508C; CSA-C22.2 No. 14; IEC/EN61800-3; IEC/EN61800-5; CE marking
UL File No.		E172143
UL Category Control No.		NMMS, NMMS7
CSA File No.		UL report applies to both US and Canada
North America Certification		UL listed, certified by UL for use in Canada
Specially designed for North America		No
Suitable for		Branch circuits
Max. Voltage Rating		1~ 240 V AC IEC: TN-S UL/CSA: "Y" (Solidly Grounded Wey)
Degree of Protection		IEC: IP20

Dimensions



Assets (links)

Declaration of CE Conformity

00003239

Instruction Leaflets

IL04020010Z2018_04

Manuals

MN04020005Z_EN (English)

MN04020006Z_EN (English)

Additional product information (links)

IL04020010Z DA1 variable frequency drives (FS2 - FS3, IP20)

IL04020010Z DA1 variable frequency drives (FS2 ftp://ftp.moeller.net/DOCUMENTATION/AWA_INSTRUCTIONS/IL04020010Z2018_04.pdf - FS3, IP20)

MN04020005Z DA1 variable frequency drives, Installation manual

MN04020005Z Frequenzumrichter DA1, Installationshandbuch - Deutsch ftp://ftp.moeller.net/DOCUMENTATION/AWB_MANUALS/MN04020005Z_DE.pdf

MN04020005Z DA1 variable frequency drives, Installation manual - English ftp://ftp.moeller.net/DOCUMENTATION/AWB_MANUALS/MN04020005Z_EN.pdf

MN04020005Z Convertitore di frequenza DA1, manuale Installazione - italiano ftp://ftp.moeller.net/DOCUMENTATION/AWB_MANUALS/MN04020005Z_IT.pdf

MN04020006Z DA1 variable frequency drives, Parameters manual

MN04020006Z Frequenzumrichter DA1, Parameterhandbuch - Deutsch ftp://ftp.moeller.net/DOCUMENTATION/AWB_MANUALS/MN04020006Z_DE.pdf

MN04020006Z DA1 variable frequency drives, Parameters manual - English ftp://ftp.moeller.net/DOCUMENTATION/AWB_MANUALS/MN04020006Z_EN.pdf

MN04020006Z Convertitore di frequenza DA1, manuale Parametri - italiano ftp://ftp.moeller.net/DOCUMENTATION/AWB_MANUALS/MN04020006Z_IT.pdf

CA04020001Z-EN Product Range Catalog: Efficient Engineering for Starting and Controlling Motors http://www.eaton.eu/DE/ecm/groups/public/@pub/@europe/@electrical/documents/content/pct_1095238.pdf