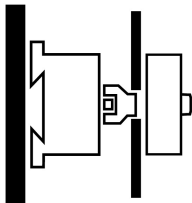




Switch-disconnector, QM, 80 A, 6 pole + 2 N (switched), without rotary handle, With drive shaft, 6 mm square

Part no. QM100/6N2
Catalog No. 1319905

Delivery program

| | | | |
|---|-------|-----|---|
| Product range | | | Switch-disconnector Main switch maintenance switch |
| Part group reference | | | QM |
| Stop Function | | | optional |
| | | | without rotary handle With drive shaft, 6 mm square |
| Information about equipment supplied | | | auxiliary contact fitted by user. |
| Number of poles | | | 6 pole + 2 N (switched) |
| Auxiliary contacts | | | |
| | | N/O | 0 |
| | | N/C | 0 |
| Degree of Protection | | | IP20 |
| Design | | | rear mounting |
| | | |  |
| Motor rating AC-23A, 50 - 60 Hz | | | |
| 400 V | P | kW | 37 |
| Rated uninterrupted current | I_u | A | 80 |
| Note on rated uninterrupted current I_u | | | Rated uninterrupted current I_u is specified for max. cross-section. |

Technical data

General

| | | | |
|---------------------------------------|-----------|----|---|
| Standards | | | IEC/EN 60947, VDE 0660, IEC/EN 60204 Switch-disconnector according to IEC/EN 60947-3 |
| Certifications | | | CE, RoHs |
| Ambient temperature | | | |
| Operation | θ | °C | -25 - +55 |
| Storage | θ | °C | -30 - +80 |
| Overvoltage category/pollution degree | | | III/3 |
| Rated impulse withstand voltage | U_{imp} | kV | 6 |
| Rated insulation voltage | U_i | V | 690 |
| Mounting | | | Top-hat rail mounting |
| Mounting position | | | As required |

Contacts

| | | | |
|----------------------------|--|-----|-------------------------|
| Mechanical variables | | | |
| Number of poles | | | 6 pole + 2 N (switched) |
| Auxiliary contacts | | | |
| | | N/O | 0 |
| | | N/C | 0 |
| Electrical characteristics | | | |

| | | | |
|--|-----------|---|--|
| Rated uninterrupted current | I_u | A | 80 |
| Note on rated uninterrupted current I_u | | | Rated uninterrupted current I_u is specified for max. cross-section. |
| Heat dissipation per pole, current-dependent | P_{vid} | W | 8 |

Switching capacity

| | | | |
|--|---|----|----|
| Safe isolation to EN 61140 | | | |
| Current heat loss per contact at I_b | | W | 8 |
| AC | | | |
| AC-23A | | | |
| Motor rating AC-23A, 50 - 60 Hz | P | kW | |
| 400 V 415 V | P | kW | 37 |

Terminal capacities

| | | | |
|--------------------------------------|--|-----------------|---------|
| Solid | | mm ² | 10 - 50 |
| Flexible with ferrules to DIN 46228 | | mm ² | |
| flexible | | mm ² | 10 - 35 |
| Flexible | | mm ² | 10 - 35 |
| Stripping length | | mm | 14 |
| Tightening torque for terminal screw | | Nm | 3 |

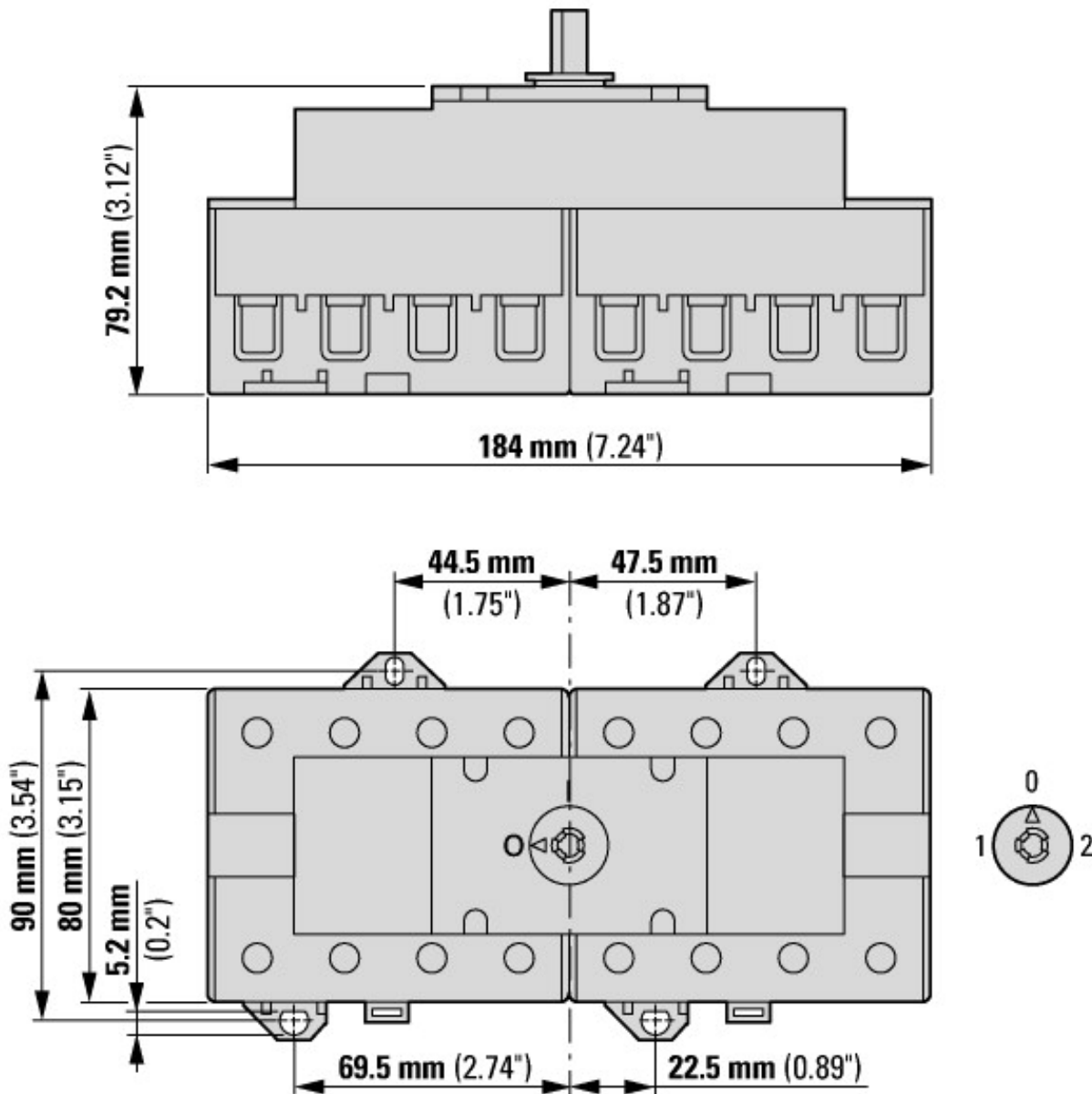
Technical safety parameters:

| | | | |
|--------------|--|--|---|
| Notes | | | B10 _q values as per EN ISO 13849-1, table C1 |
|--------------|--|--|---|

Design verification as per IEC/EN 61439

| | | | |
|--|------------|----|--|
| Technical data for design verification | | | |
| Rated operational current for specified heat dissipation | I_n | A | 80 |
| Heat dissipation per pole, current-dependent | P_{vid} | W | 8 |
| Equipment heat dissipation, current-dependent | P_{vid} | W | 0 |
| Static heat dissipation, non-current-dependent | P_{vs} | W | 0 |
| Heat dissipation capacity | P_{diss} | W | 0 |
| Operating ambient temperature min. | | °C | -25 |
| Operating ambient temperature max. | | °C | 55 |
| IEC/EN 61439 design verification | | | |
| 10.2 Strength of materials and parts | | | |
| 10.2.2 Corrosion resistance | | | Meets the product standard's requirements. |
| 10.2.3.1 Verification of thermal stability of enclosures | | | Meets the product standard's requirements. |
| 10.2.3.2 Verification of resistance of insulating materials to normal heat | | | Meets the product standard's requirements. |
| 10.2.3.3 Verification of resistance of insulating materials to abnormal heat and fire due to internal electric effects | | | Meets the product standard's requirements. |
| 10.2.4 Resistance to ultra-violet (UV) radiation | | | Meets the product standard's requirements. |
| 10.2.5 Lifting | | | Does not apply, since the entire switchgear needs to be evaluated. |
| 10.2.6 Mechanical impact | | | Does not apply, since the entire switchgear needs to be evaluated. |
| 10.2.7 Inscriptions | | | Meets the product standard's requirements. |
| 10.3 Degree of protection of ASSEMBLIES | | | Does not apply, since the entire switchgear needs to be evaluated. |
| 10.4 Clearances and creepage distances | | | Meets the product standard's requirements. |
| 10.5 Protection against electric shock | | | Does not apply, since the entire switchgear needs to be evaluated. |
| 10.6 Incorporation of switching devices and components | | | Does not apply, since the entire switchgear needs to be evaluated. |
| 10.7 Internal electrical circuits and connections | | | Is the panel builder's responsibility. |
| 10.8 Connections for external conductors | | | Is the panel builder's responsibility. |
| 10.9 Insulation properties | | | |
| 10.9.2 Power-frequency electric strength | | | Is the panel builder's responsibility. |
| 10.9.3 Impulse withstand voltage | | | Is the panel builder's responsibility. |
| 10.9.4 Testing of enclosures made of insulating material | | | Is the panel builder's responsibility. |
| 10.10 Temperature rise | | | The panel builder is responsible for the temperature rise calculation. Eaton will provide heat dissipation data for the devices. |
| 10.11 Short-circuit rating | | | Is the panel builder's responsibility. The specifications for the switchgear must be observed. |
| 10.12 Electromagnetic compatibility | | | Is the panel builder's responsibility. The specifications for the switchgear must be observed. |

Dimensions



Assets (links)

Declaration of CE Conformity

00003267

Instruction Leaflets

IL008038ZU2018_04

Additional product information (links)

IL008038ZU QM Switches

| | |
|--|---|
| IL008038ZU QM Switches | ftp://ftp.moeller.net/DOCUMENTATION/AWA_INSTRUCTIONS/IL008038ZU2018_04.pdf |
| Technical overview cam switch, switch-disconnector | http://de.ecat.moeller.net/flip-cat/?edition=HPLTEv1&startpage=4.2 |
| System overview cam switch T | http://de.ecat.moeller.net/flip-cat/?edition=HPLTEv1&startpage=4.4 |
| System overview switch-disconnector P | http://de.ecat.moeller.net/flip-cat/?edition=HPLTEv1&startpage=4.6 |
| Key to part numbers Cam switch | http://de.ecat.moeller.net/flip-cat/?edition=HPLTEv1&startpage=4.8 |
| Key to part numbers Switch-disconnector | http://de.ecat.moeller.net/flip-cat/?edition=HPLTEv1&startpage=4.8 |
| Switches for ATEX | http://www.coopercrouse-hinds.eu/en/products/25-ex-safety-and-main-current-switches.html |