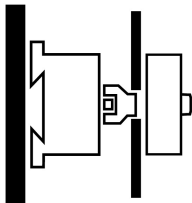
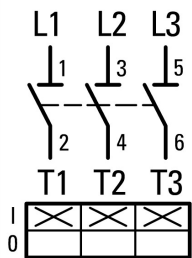




Fuse switch-disconnector, 3 pole, rear mounting, 400 A, NH3

Part no. **QSA400-3/3**
 Catalog No. **1318549**

Delivery program

Product range			Fuse-switch-disconnector Main switch maintenance switch
Part group reference			QSA
Stop Function			optional
Notes			Suitable for DIN fuse-links (blade contacts type)
Information about equipment supplied			Auxiliary contact or neutral conductor fitted by user.
Number of poles			3 pole
Auxiliary contacts			
		N/O	0
		N/C	0
Degree of Protection			IP00 IP20 with terminal cover
Design			rear mounting
			
Contact sequence			
Rated uninterrupted current	I_u	A	400
Note on rated uninterrupted current I_u			Rated uninterrupted current I_u is specified for max. cross-section.
Fuse cartridge		Size	NH3

Technical data

General

Standards			IEC/EN 60947, VDE 0660, IEC/EN 60204 Switch-disconnector according to IEC/EN 60947-3
Certifications			CE, RoHs
Ambient temperature			
Operation	θ	°C	-25 - +55
Storage	θ	°C	-30 - +80
Overvoltage category/pollution degree			III/3
Rated impulse withstand voltage	U_{imp}	kV	6
Rated insulation voltage	U_i	V	690
Mounting position			As required

Contacts

Mechanical variables			
Number of poles			3 pole

Auxiliary contacts			
		N/O	0
		N/C	0
Electrical characteristics			
Rated operational voltage	U_e	V AC	690
Rated uninterrupted current	I_u	A	400
Note on rated uninterrupted current I_u			Rated uninterrupted current I_u is specified for max. cross-section.
Heat dissipation per pole, current-dependent	P_{vid}	W	18

Design verification as per IEC/EN 61439

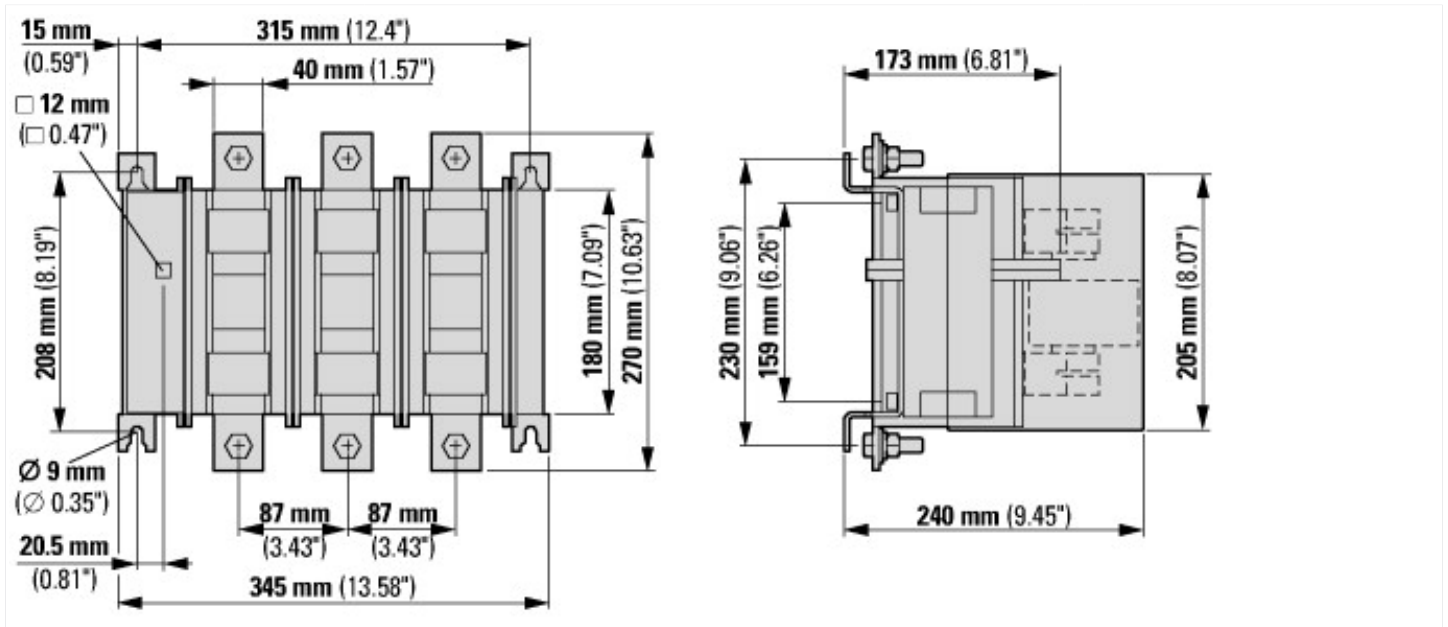
Technical data for design verification			
Rated operational current for specified heat dissipation	I_n	A	400
Heat dissipation per pole, current-dependent	P_{vid}	W	18
Equipment heat dissipation, current-dependent	P_{vid}	W	0
Static heat dissipation, non-current-dependent	P_{vs}	W	0
Heat dissipation capacity	P_{diss}	W	0
Operating ambient temperature min.		°C	-25
Operating ambient temperature max.		°C	55
IEC/EN 61439 design verification			
10.2 Strength of materials and parts			
10.2.2 Corrosion resistance			Meets the product standard's requirements.
10.2.3.1 Verification of thermal stability of enclosures			Meets the product standard's requirements.
10.2.3.2 Verification of resistance of insulating materials to normal heat			Meets the product standard's requirements.
10.2.3.3 Verification of resistance of insulating materials to abnormal heat and fire due to internal electric effects			Meets the product standard's requirements.
10.2.4 Resistance to ultra-violet (UV) radiation			Meets the product standard's requirements.
10.2.5 Lifting			Does not apply, since the entire switchgear needs to be evaluated.
10.2.6 Mechanical impact			Does not apply, since the entire switchgear needs to be evaluated.
10.2.7 Inscriptions			Meets the product standard's requirements.
10.3 Degree of protection of ASSEMBLIES			Does not apply, since the entire switchgear needs to be evaluated.
10.4 Clearances and creepage distances			Meets the product standard's requirements.
10.5 Protection against electric shock			Does not apply, since the entire switchgear needs to be evaluated.
10.6 Incorporation of switching devices and components			Does not apply, since the entire switchgear needs to be evaluated.
10.7 Internal electrical circuits and connections			Is the panel builder's responsibility.
10.8 Connections for external conductors			Is the panel builder's responsibility.
10.9 Insulation properties			
10.9.2 Power-frequency electric strength			Is the panel builder's responsibility.
10.9.3 Impulse withstand voltage			Is the panel builder's responsibility.
10.9.4 Testing of enclosures made of insulating material			Is the panel builder's responsibility.
10.10 Temperature rise			The panel builder is responsible for the temperature rise calculation. Eaton will provide heat dissipation data for the devices.
10.11 Short-circuit rating			Is the panel builder's responsibility. The specifications for the switchgear must be observed.
10.12 Electromagnetic compatibility			Is the panel builder's responsibility. The specifications for the switchgear must be observed.
10.13 Mechanical function			The device meets the requirements, provided the information in the instruction leaflet (IL) is observed.

Technical data ETIM 7.0

Low-voltage industrial components (EG000017) / Fuse switch disconnecter (EC001040)			
Electric engineering, automation, process control engineering / Low-voltage switch technology / Off-load switch, circuit breaker, control switch / Fuse switch disconnecter (ecl@ss10.0.1-27-37-14-01 [AKF058013])			
Version as main switch			Yes
Version as safety switch			No
Max. rated operation voltage U_e AC		V	690
Rated permanent current I_u		A	400
Rated operation power at AC-23, 400 V		kW	220

Conditioned rated short-circuit current Iq	kA	50
Rated short-time withstand current Icw	kA	0
Suitable for fuses		NH3
Number of poles		3
With error protection		No
Type of electrical connection of main circuit		Screw connection
Cable entry		Other
Equipped with connectors		Yes
Suitable for ground mounting		Yes
Suitable for front mounting 4-hole		No
Suitable for busbar mounting		No
Type of control element		Other
Position control element		Front side
Motor drive optional		No
Motor drive integrated		No
Version as emergency stop installation		No
Degree of protection (IP), front side		IP00

Dimensions



Assets (links)

Declaration of CE Conformity

00003042

Instruction Leaflets

IL008013ZU2018_05

Additional product information (links)

IL008013ZU Safety switch-disconnector

IL008013ZU Safety switch-disconnector

ftp://ftp.moeller.net/DOCUMENTATION/AWA_INSTRUCTIONS/IL008013ZU2018_05.pdf