



Ventilation gill, vertical, HxW=180x130mm

Part no. LVP-30V15-CS
Catalog No. 112909

EL-Nummer (Norway) 2466165

Delivery program

Product range			Accessories CS
Accessories			Ventilating louvers
Description			Arrangement of the ventilation slits vertically
Function			For direct fastening to the body of the enclosure
Dimensions			
Height		mm	175
Width		mm	130
Surface finish			With powder coating RAL 7035
Material			Steel plate
Information about equipment supplied			Delivery with fixing material

Technical data

General

Degree of Protection			IP23
----------------------	--	--	------

Material characteristics

Material			Steel plate
Surface finish			With powder coating RAL 7035

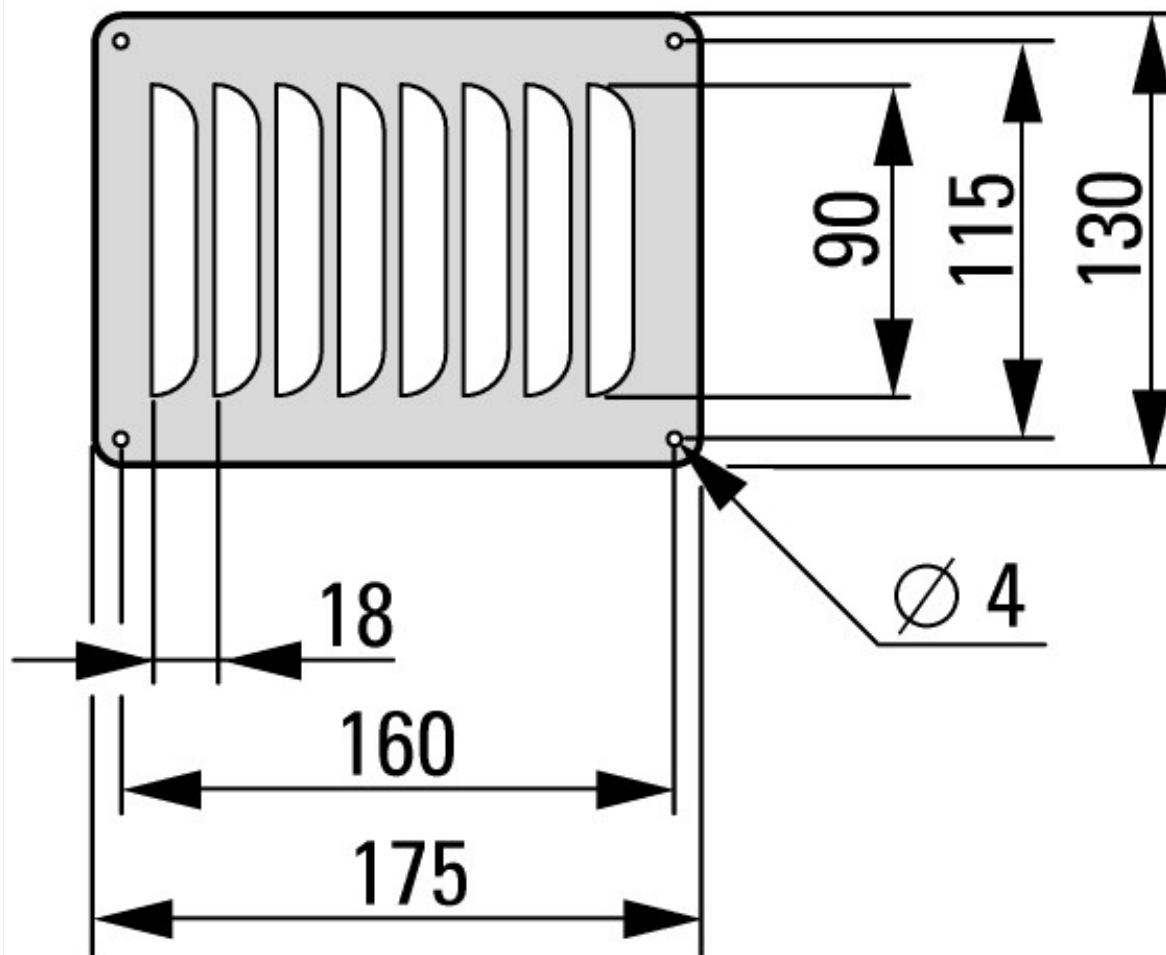
Description/standard features

Information about equipment supplied			Delivery with fixing material
--------------------------------------	--	--	-------------------------------

Technical data ETIM 7.0

Cabinet enclosures (EG000011) / Ventilation plate (switchgear cabinet) (EC000331)			
Electric engineering, automation, process control engineering / Electrical cabinet, housing, rack / Elements for switching cabinet, housing, rack / Fan plate for electrical cabinet (ecI@ss10.0.1-27-18-28-03 [ACN649011])			
Suitable for enclosure building width		mm	200
Suitable for enclosure building depth		mm	200
Width		mm	130
Height		mm	175
Diameter		mm	4
For max. number of fans			0
Material			Steel
Surface finishing			Lacquered
With built-in filter			No
Mounting method			Other
Degree of protection (IP)			IP23

Dimensions



Additional product information (links)

AWA4300-2523 Ventilation louver

AWA4300-2523 Ventilation louver

ftp://ftp.moeller.net/DOCUMENTATION/AWA_INSTRUCTIONS/25230810.pdf

Declaration of conformity

http://intranet.moeller.net/technik_daten/file/produkt_deklarationen/file/konformitaeten/00002/00002259.pdf