



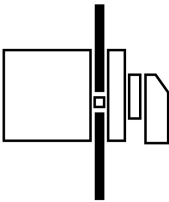
**On-Off switch, T3, 32 A, flush mounting, 6 contact unit(s), 12-pole, with black thumb grip and front plate**

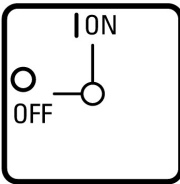


**Part no. T3-6-8348/E**  
**Catalog No. 068955**

Similar to illustration

### Delivery program

Product range		On-Off switch																																																																											
Part group reference		T3																																																																											
		with black thumb grip and front plate																																																																											
Number of poles		12-pole																																																																											
Degree of Protection		Front IP65																																																																											
Design		flush mounting																																																																											
																																																																													
Contact sequence		<table border="1" style="border-collapse: collapse; text-align: center;"> <thead> <tr> <th></th> <th>0</th> <th>1</th> </tr> </thead> <tbody> <tr><td>1 o</td><td></td><td>X</td></tr> <tr><td>2 o</td><td></td><td>X</td></tr> <tr><td>3 o</td><td></td><td>X</td></tr> <tr><td>4 o</td><td></td><td>X</td></tr> <tr><td>5 o</td><td></td><td>X</td></tr> <tr><td>6 o</td><td></td><td>X</td></tr> <tr><td>7 o</td><td></td><td>X</td></tr> <tr><td>8 o</td><td></td><td>X</td></tr> <tr><td>9 o</td><td></td><td>X</td></tr> <tr><td>10 o</td><td></td><td>X</td></tr> <tr><td>11 o</td><td></td><td>X</td></tr> <tr><td>12 o</td><td></td><td>X</td></tr> <tr><td>13 o</td><td></td><td>X</td></tr> <tr><td>14 o</td><td></td><td>X</td></tr> <tr><td>15 o</td><td></td><td>X</td></tr> <tr><td>16 o</td><td></td><td>X</td></tr> <tr><td>17 o</td><td></td><td>X</td></tr> <tr><td>18 o</td><td></td><td>X</td></tr> <tr><td>19 o</td><td></td><td>X</td></tr> <tr><td>20 o</td><td></td><td>X</td></tr> <tr><td>21 o</td><td></td><td>X</td></tr> <tr><td>22 o</td><td></td><td>X</td></tr> <tr><td>23 o</td><td></td><td>X</td></tr> <tr><td>24 o</td><td></td><td>X</td></tr> </tbody> </table>		0	1	1 o		X	2 o		X	3 o		X	4 o		X	5 o		X	6 o		X	7 o		X	8 o		X	9 o		X	10 o		X	11 o		X	12 o		X	13 o		X	14 o		X	15 o		X	16 o		X	17 o		X	18 o		X	19 o		X	20 o		X	21 o		X	22 o		X	23 o		X	24 o		X
	0	1																																																																											
1 o		X																																																																											
2 o		X																																																																											
3 o		X																																																																											
4 o		X																																																																											
5 o		X																																																																											
6 o		X																																																																											
7 o		X																																																																											
8 o		X																																																																											
9 o		X																																																																											
10 o		X																																																																											
11 o		X																																																																											
12 o		X																																																																											
13 o		X																																																																											
14 o		X																																																																											
15 o		X																																																																											
16 o		X																																																																											
17 o		X																																																																											
18 o		X																																																																											
19 o		X																																																																											
20 o		X																																																																											
21 o		X																																																																											
22 o		X																																																																											
23 o		X																																																																											
24 o		X																																																																											
Switching angle	°	90																																																																											
Switching performance		maintained																																																																											
Design number		8348																																																																											

Front plate no.				
				<b>FS 908</b>
front plate				0-1
<b>Motor rating AC-23A, 50 - 60 Hz</b>				
400 V	P	kW		15
Rated uninterrupted current	$I_u$	A		32
Note on rated uninterrupted current $I_u$				Rated uninterrupted current $I_u$ is specified for max. cross-section.
Number of contact units		contact unit(s)		6

## Technical data

### General

Standards				IEC/EN 60947, VDE 0660, IEC/EN 60204, CSA, UL Switch-disconnector according to IEC/EN 60947-3
Climatic proofing				Damp heat, constant, to IEC 60068-2-78 Damp heat, cyclic, to IEC 60068-2-30
Ambient temperature				
Open		°C		-25 - +50
Enclosed		°C		-25 - +40
Overvoltage category/pollution degree				III/3
Rated impulse withstand voltage	$U_{imp}$	V AC		6000
Mechanical shock resistance		g		15
Mounting position				As required

### Contacts

Mechanical variables				
Number of poles				12-pole
Electrical characteristics				
Rated operational voltage	$U_e$	V AC		690
Rated uninterrupted current	$I_u$	A		32
Note on rated uninterrupted current $I_u$				Rated uninterrupted current $I_u$ is specified for max. cross-section.
Load rating with intermittent operation, class 12				
AB 25 % DF		$x I_e$		2
AB 40 % DF		$x I_e$		1.6
AB 60 % DF		$x I_e$		1.3
Short-circuit rating				
Fuse		A gG/gL		35
Rated short-time withstand current (1 s current)	$I_{cw}$	$A_{rms}$		650
Note on rated short-time withstand current $I_{cw}$				Current for a time of 1 second
Rated conditional short-circuit current	$I_q$	kA		1

### Switching capacity

$\cos \varphi$ rated making capacity as per IEC 60947-3		A		320
Rated breaking capacity $\cos \varphi$ to IEC 60947-3		A		
230 V		A		260
400/415 V		A		260
500 V		A		240
690 V		A		170
Safe isolation to EN 61140				
between the contacts		V AC		440
Current heat loss per contact at $I_e$		W		1.1
Current heat loss per auxiliary circuit at $I_e$ (AC-15/230 V)		CO		1.1

Lifespan, mechanical	Operations	x 10 <sup>6</sup>	> 0.5
Maximum operating frequency	Operations/h		1200
<b>AC</b>			
<b>AC-3</b>			
Rating, motor load switch	P	kW	
220 V 230 V	P	kW	5.5
230 V Star-delta	P	kW	7.5
400 V 415 V	P	kW	11
400 V Star-delta	P	kW	15
500 V	P	kW	15
500 V Star-delta	P	kW	18.5
690 V	P	kW	11
690 V Star-delta	P	kW	22
Rated operational current motor load switch			
230 V	I <sub>e</sub>	A	23.7
230 V star-delta	I <sub>e</sub>	A	32
400V 415 V	I <sub>e</sub>	A	23.7
400 V star-delta	I <sub>e</sub>	A	32
500 V	I <sub>e</sub>	A	23.7
500 V star-delta	I <sub>e</sub>	A	32
690 V	I <sub>e</sub>	A	14.7
690 V star-delta	I <sub>e</sub>	A	25.5
<b>AC-21A</b>			
Rated operational current switch			
440 V	I <sub>e</sub>	A	32
<b>AC-23A</b>			
Motor rating AC-23A, 50 - 60 Hz	P	kW	
230 V	P	kW	7.5
400 V 415 V	P	kW	15
500 V	P	kW	15
690 V	P	kW	15
Rated operational current motor load switch			
230 V	I <sub>e</sub>	A	32
400 V 415 V	I <sub>e</sub>	A	32
500 V	I <sub>e</sub>	A	26.4
690 V	I <sub>e</sub>	A	17
<b>DC</b>			
<b>DC-1, Load-break switches L/R = 1 ms</b>			
Rated operational current	I <sub>e</sub>	A	25
Voltage per contact pair in series		V	60
<b>DC-21A</b>			
Rated operational current	I <sub>e</sub>	A	1
Contacts		Quantity	1
<b>DC-23A, motor load switch L/R = 15 ms</b>			
<b>24 V</b>			
Rated operational current	I <sub>e</sub>	A	25
Contacts		Quantity	1
<b>48 V</b>			
Rated operational current	I <sub>e</sub>	A	25
Contacts		Quantity	2
<b>60 V</b>			
Rated operational current	I <sub>e</sub>	A	25
Contacts		Quantity	3
<b>120 V</b>			

Rated operational current	$I_e$	A	12
Contacts		Quantity	3
240 V			
Rated operational current	$I_e$	A	5
Contacts		Quantity	5
DC-13, Control switches L/R = 50 ms			
Rated operational current	$I_e$	A	20
Voltage per contact pair in series		V	24
Control circuit reliability at 24 V DC, 10 mA	Fault probability	$H_F$	$< 10^{-5}$ , $< 1$ failure in 100,000 switching operations

### Terminal capacities

Solid or stranded		$mm^2$	1 x (1 - 6) 2 x (1 - 6)
Flexible with ferrules to DIN 46228		$mm^2$	1 x (0.75 - 4) 2 x (0.75 - 4)
Terminal screw			M4
Tightening torque for terminal screw		Nm	1.6

### Technical safety parameters:

<b>Notes</b>			B10 <sub>d</sub> values as per EN ISO 13849-1, table C1
--------------	--	--	---

### Rating data for approved types

Contacts			
Rated operational voltage	$U_e$	V AC	600
Rated uninterrupted current max.			
Main conducting paths			
General use		A	25
Auxiliary contacts			
General Use	$I_U$	A	10
Pilot Duty			A 600
Switching capacity			
Maximum motor rating			
Single-phase			
120 V AC		HP	1.5
200 V AC		HP	3
240 V AC		HP	3
Three-phase			
200 V AC		HP	3
240 V AC		HP	3
480 V AC		HP	7.5
600 V AC		HP	10
Short Circuit Current Rating			
Basic Rating			
		kA	5
max. Fuse		A	40
High fault rating			
		kA	10
max. Fuse		A	40, Class J
Terminal capacity			
Solid or flexible conductor with ferrule		AWG	14 - 10
Terminal screw			M4
Tightening torque		lb-in	17.7

### Design verification as per IEC/EN 61439

Technical data for design verification			
Rated operational current for specified heat dissipation	$I_n$	A	32
Heat dissipation per pole, current-dependent	$P_{vid}$	W	1.1
Equipment heat dissipation, current-dependent	$P_{vid}$	W	0
Static heat dissipation, non-current-dependent	$P_{vs}$	W	0
Heat dissipation capacity	$P_{diss}$	W	0

Operating ambient temperature min.	°C	-25
Operating ambient temperature max.	°C	50
IEC/EN 61439 design verification		
10.2 Strength of materials and parts		
10.2.2 Corrosion resistance		Meets the product standard's requirements.
10.2.3.1 Verification of thermal stability of enclosures		Meets the product standard's requirements.
10.2.3.2 Verification of resistance of insulating materials to normal heat		Meets the product standard's requirements.
10.2.3.3 Verification of resistance of insulating materials to abnormal heat and fire due to internal electric effects		Meets the product standard's requirements.
10.2.4 Resistance to ultra-violet (UV) radiation		UV resistance only in connection with protective shield.
10.2.5 Lifting		Does not apply, since the entire switchgear needs to be evaluated.
10.2.6 Mechanical impact		Does not apply, since the entire switchgear needs to be evaluated.
10.2.7 Inscriptions		Meets the product standard's requirements.
10.3 Degree of protection of ASSEMBLIES		Does not apply, since the entire switchgear needs to be evaluated.
10.4 Clearances and creepage distances		Meets the product standard's requirements.
10.5 Protection against electric shock		Does not apply, since the entire switchgear needs to be evaluated.
10.6 Incorporation of switching devices and components		Does not apply, since the entire switchgear needs to be evaluated.
10.7 Internal electrical circuits and connections		Is the panel builder's responsibility.
10.8 Connections for external conductors		Is the panel builder's responsibility.
10.9 Insulation properties		
10.9.2 Power-frequency electric strength		Is the panel builder's responsibility.
10.9.3 Impulse withstand voltage		Is the panel builder's responsibility.
10.9.4 Testing of enclosures made of insulating material		Is the panel builder's responsibility.
10.10 Temperature rise		The panel builder is responsible for the temperature rise calculation. Eaton will provide heat dissipation data for the devices.
10.11 Short-circuit rating		Is the panel builder's responsibility. The specifications for the switchgear must be observed.
10.12 Electromagnetic compatibility		Is the panel builder's responsibility. The specifications for the switchgear must be observed.
10.13 Mechanical function		The device meets the requirements, provided the information in the instruction leaflet (IL) is observed.

## Technical data ETIM 7.0

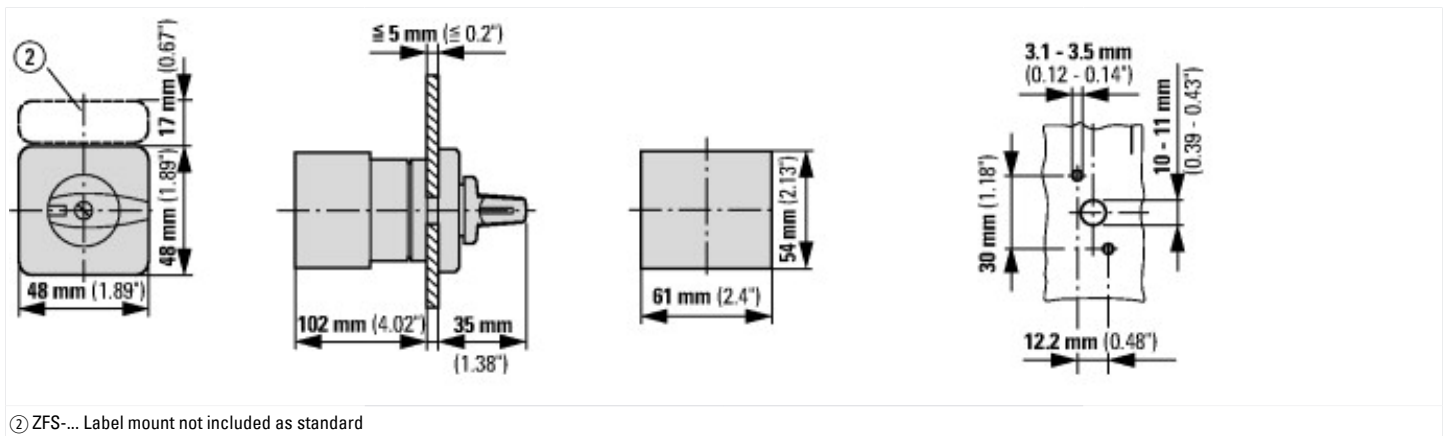
Low-voltage industrial components (EG000017) / Switch disconnecter (EC000216)		
Electric engineering, automation, process control engineering / Low-voltage switch technology / Off-load switch, circuit breaker, control switch / Switch disconnecter (ecl@ss10.0.1-27-37-14-03 [AKF060013])		
Version as main switch		No
Version as maintenance-/service switch		No
Version as safety switch		No
Version as emergency stop installation		No
Version as reversing switch		No
Number of switches		1
Max. rated operation voltage U <sub>e</sub> AC	V	690
Rated operating voltage	V	690 - 690
Rated permanent current I <sub>u</sub>	A	32
Rated permanent current at AC-23, 400 V	A	32
Rated permanent current at AC-21, 400 V	A	32
Rated operation power at AC-3, 400 V	kW	11
Rated short-time withstand current I <sub>cw</sub>	kA	0.65
Rated operation power at AC-23, 400 V	kW	15
Switching power at 400 V	kW	15
Conditioned rated short-circuit current I <sub>q</sub>	kA	1
Number of poles		12
Number of auxiliary contacts as normally closed contact		0
Number of auxiliary contacts as normally open contact		0
Number of auxiliary contacts as change-over contact		0
Motor drive optional		No
Motor drive integrated		No

Voltage release optional		No
Device construction		Built-in device fixed built-in technique
Suitable for ground mounting		No
Suitable for front mounting 4-hole		Yes
Suitable for front mounting centre		No
Suitable for distribution board installation		No
Suitable for intermediate mounting		No
Colour control element		Black
Type of control element		Toggle
Interlockable		No
Type of electrical connection of main circuit		Screw connection
Degree of protection (IP), front side		IP65
Degree of protection (NEMA)		12

## Approvals

Product Standards		UL 60947-4-1; CSA - C22.2 No. 60947-4-1-14; CSA-C22.2 No. 94; IEC/EN 60947-3; CE marking
UL File No.		E36332
UL Category Control No.		NLRV
CSA File No.		12528
CSA Class No.		3211-05
North America Certification		UL listed, CSA certified
Suitable for		Branch circuits, suitable as motor disconnect
Degree of Protection		IEC: IP65; UL/CSA Type 1, 12

## Dimensions



## Assets (links)

### Declaration of CE Conformity

00003074

### Instruction Leaflets

IL03801020Z2018\_05

## Additional product information (links)

<b>IL03801020Z (AWA1150-0586) Cam switches: flush mounting</b>	
IL03801020Z (AWA1150-0586) Cam switches: flush mounting	<a href="ftp://ftp.moeller.net/DOCUMENTATION/AWA_INSTRUCTIONS/IL03801020Z2018_05.pdf">ftp://ftp.moeller.net/DOCUMENTATION/AWA_INSTRUCTIONS/IL03801020Z2018_05.pdf</a>
Display flip catalog page.	<a href="http://ecat.moeller.net/flip-cat/?edition=K115A&amp;startpage=41">http://ecat.moeller.net/flip-cat/?edition=K115A&amp;startpage=41</a>
Technical overview cam switch, switch-disconnector	<a href="http://de.ecat.moeller.net/flip-cat/?edition=HPLTEv1&amp;startpage=4.2">http://de.ecat.moeller.net/flip-cat/?edition=HPLTEv1&amp;startpage=4.2</a>
System overview cam switch T	<a href="http://de.ecat.moeller.net/flip-cat/?edition=HPLTEv1&amp;startpage=4.4">http://de.ecat.moeller.net/flip-cat/?edition=HPLTEv1&amp;startpage=4.4</a>
System overview switch-disconnector P	<a href="http://de.ecat.moeller.net/flip-cat/?edition=HPLTEv1&amp;startpage=4.6">http://de.ecat.moeller.net/flip-cat/?edition=HPLTEv1&amp;startpage=4.6</a>
Key to part numbers Cam switch	<a href="http://de.ecat.moeller.net/flip-cat/?edition=HPLTEv1&amp;startpage=4.8">http://de.ecat.moeller.net/flip-cat/?edition=HPLTEv1&amp;startpage=4.8</a>
Key to part numbers Switch-disconnector	<a href="http://de.ecat.moeller.net/flip-cat/?edition=HPLTEv1&amp;startpage=4.8">http://de.ecat.moeller.net/flip-cat/?edition=HPLTEv1&amp;startpage=4.8</a>
Switches for ATEX	<a href="http://www.coopercrouse-hinds.eu/en/products/25-ex-safety-and-main-current-switches.html">http://www.coopercrouse-hinds.eu/en/products/25-ex-safety-and-main-current-switches.html</a>

Ordering form for SOND switches and SOND front plates(DE\_EN)

[ftp://ftp.moeller.net/DOCUMENTATION/PDF/MZ008005ZU\\_Orderform\\_Customized\\_Switch.pdf](ftp://ftp.moeller.net/DOCUMENTATION/PDF/MZ008005ZU_Orderform_Customized_Switch.pdf)

Ordering form for SOND switches and SOND front plates(DE\_EN)

[ftp://ftp.moeller.net/DOCUMENTATION/PDF/MZ008006ZU\\_Orderform\\_Customized\\_Switch.pdf](ftp://ftp.moeller.net/DOCUMENTATION/PDF/MZ008006ZU_Orderform_Customized_Switch.pdf)