

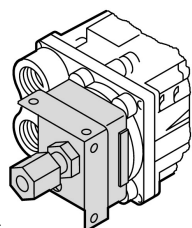


**Cutting ring, pipe fitting**

**Part no.** E8-MCS  
**Catalog No.** 040949  
**Alternate Catalog No.** MCSX-E8

**Delivery program**

Product range		Accessories
Basic function		Compression fitting
		Article no. when ordered separately
For use with		MCS, MCSN



**Notes**

External diameter: 8 mm

Integrated wall fixing bracket, can be turned 180°

**Design verification as per IEC/EN 61439**

Technical data for design verification		
Operating ambient temperature min.	°C	-25
Operating ambient temperature max.	°C	60

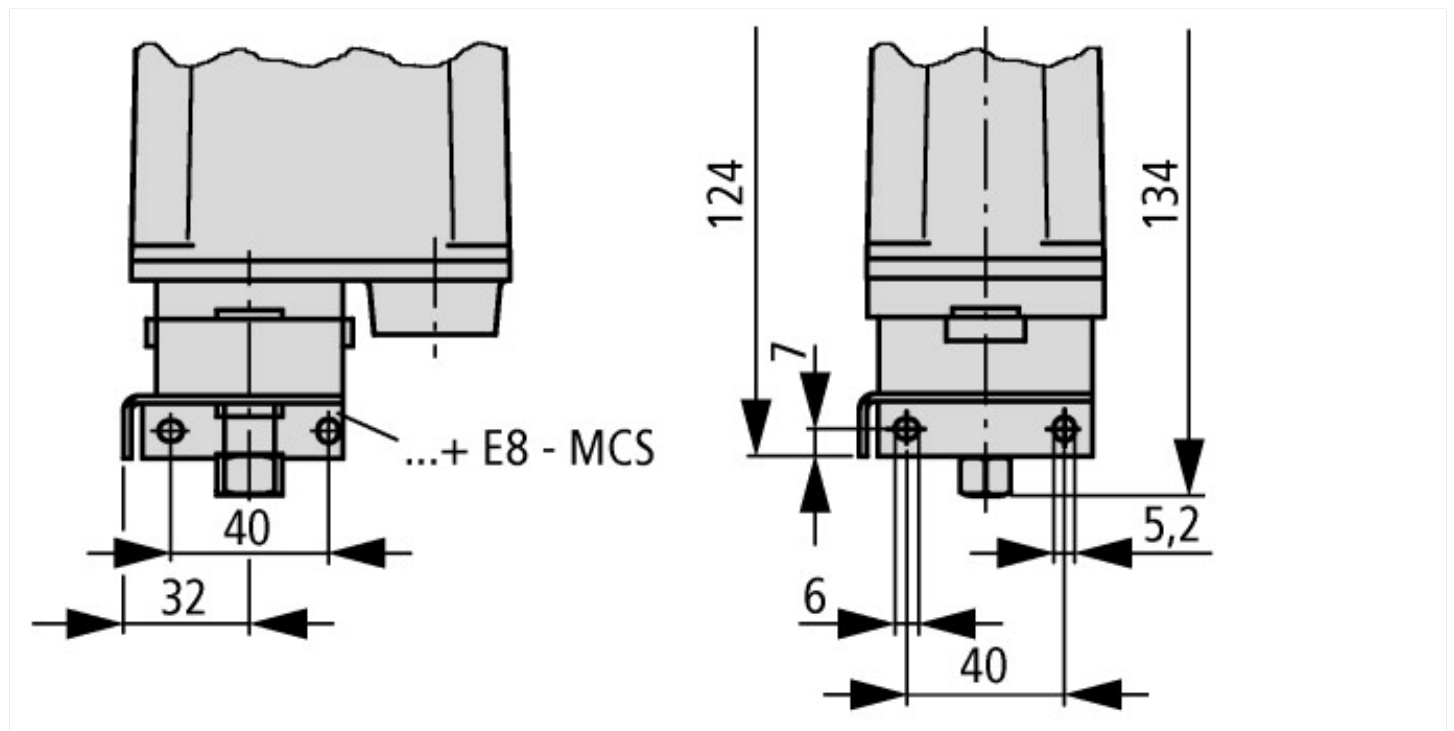
**Technical data ETIM 7.0**

Low-voltage industrial components (EG000017) / Accessories for low-voltage switch technology (EC002498)		
Electric engineering, automation, process control engineering / Low-voltage switch technology / Component for low-voltage switching technology / Component for low-voltage switch technology (accessories) (ecl@ss10.0.1-27-37-13-92 [AKN570013])		
Type of accessory		Other

**Approvals**

Product Standards		CSA-CC22.2 No. 14
CSA File No.		12528
CSA Class No.		3211-06
North America Certification		CSA certified

## Dimensions



## Assets (links)

### Declaration of CE Conformity

00002838

### Instruction Leaflets

IL05212001Z2018\_05

## Additional product information (links)

IL05212001Z (AWA1320-0132) Pressure switch

IL05212001Z (AWA1320-0132) Pressure switch [ftp://ftp.moeller.net/DOCUMENTATION/AWA\\_INSTRUCTIONS/IL05212001Z2018\\_05.pdf](ftp://ftp.moeller.net/DOCUMENTATION/AWA_INSTRUCTIONS/IL05212001Z2018_05.pdf)