



Module plate, 2-hole, vertical, 4p, 1250A

Part no. **NZM4-4-XKM2S-1250**  
 Catalog No. **284472**

Similar to illustration

### Delivery program

Accessories			Module plate
Description			Two holes
Number of conductors			4 pole
Rated current	$I_n$	A	≤ 1250
For use with			NZM4-4, N4-4
<b>Terminal capacities</b>			
Type of conductor			
Cu/Al cable			Copper cable lugs
Terminal capacities			
flexible		mm <sup>2</sup>	2 x 95 - 300
AWG/kcmil		mm <sup>2</sup>	2 x 000 - 500
<b>Terminal capacities</b>			
Cu strip (number of segments x width x segment thickness)		mm <sup>2</sup>	(2 x) 10 x 40 x 1.0 (2 x) 10 x 50 x 1.0
Copper busbar width x thickness	Width	mm	(2 x) 40 x 10 (2 x) 50 x 10
<b>Notes</b>			
Type contains parts for a terminal located at top or bottom for 3 or 4-pole circuit-breakers.			
Insulation through cover NZM4(-4)-XKSA or phase isolator NZM4(4)-XKP necessary.			

### Design verification as per IEC/EN 61439

IEC/EN 61439 design verification			
10.2 Strength of materials and parts			
10.2.2 Corrosion resistance			Meets the product standard's requirements.
10.2.3.1 Verification of thermal stability of enclosures			Meets the product standard's requirements.
10.2.3.2 Verification of resistance of insulating materials to normal heat			Meets the product standard's requirements.
10.2.3.3 Verification of resistance of insulating materials to abnormal heat and fire due to internal electric effects			Meets the product standard's requirements.
10.2.4 Resistance to ultra-violet (UV) radiation			Meets the product standard's requirements.
10.2.5 Lifting			Does not apply, since the entire switchgear needs to be evaluated.
10.2.6 Mechanical impact			Does not apply, since the entire switchgear needs to be evaluated.
10.2.7 Inscriptions			Meets the product standard's requirements.
10.3 Degree of protection of ASSEMBLIES			Does not apply, since the entire switchgear needs to be evaluated.
10.4 Clearances and creepage distances			Meets the product standard's requirements.
10.5 Protection against electric shock			Does not apply, since the entire switchgear needs to be evaluated.
10.6 Incorporation of switching devices and components			Does not apply, since the entire switchgear needs to be evaluated.
10.7 Internal electrical circuits and connections			Is the panel builder's responsibility.
10.8 Connections for external conductors			Is the panel builder's responsibility.
10.9 Insulation properties			
10.9.2 Power-frequency electric strength			Is the panel builder's responsibility.
10.9.3 Impulse withstand voltage			Is the panel builder's responsibility.
10.9.4 Testing of enclosures made of insulating material			Is the panel builder's responsibility.
10.10 Temperature rise			The panel builder is responsible for the temperature rise calculation. Eaton will provide heat dissipation data for the devices.
10.11 Short-circuit rating			Is the panel builder's responsibility. The specifications for the switchgear must be observed.

10.12 Electromagnetic compatibility		Is the panel builder's responsibility. The specifications for the switchgear must be observed.
10.13 Mechanical function		The device meets the requirements, provided the information in the instruction leaflet (IL) is observed.

## Technical data ETIM 7.0

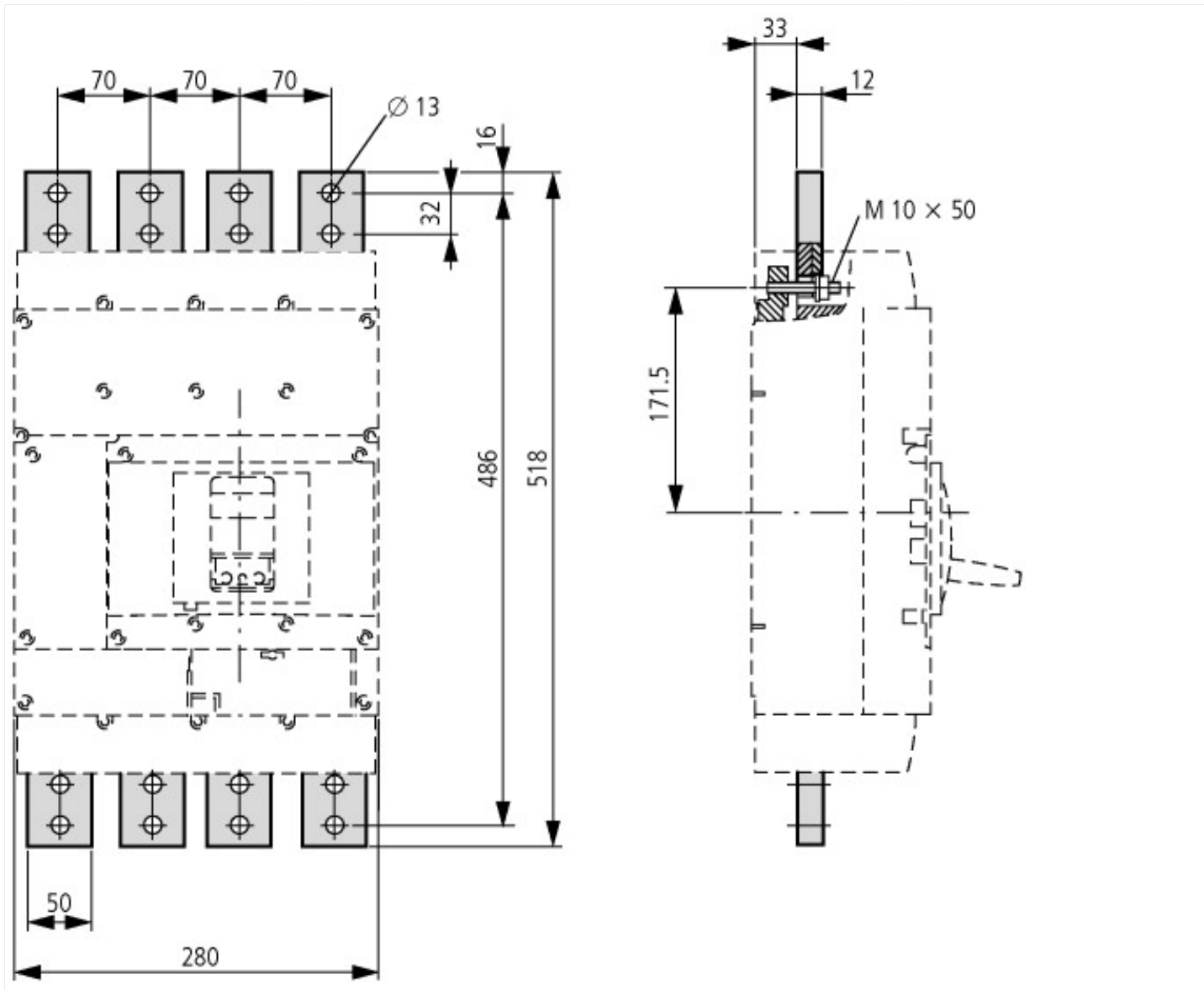
Low-voltage industrial components (EG000017) / Connection vane/phase spreader (EC002019)

Electric engineering, automation, process control engineering / Low-voltage switch technology / Component for low-voltage switching technology / Connection vane/phase spreader (ec@ss10.0.1-27-37-13-05 [ACN990012])

Suitable for number of poles

4

## Dimensions



## Additional product information (links)

IL01210011Z (AWA1230-2039) Module plate, 1-hole, 2-hole

IL01210011Z (AWA1230-2039) Module plate, 1-hole, 2-hole [ftp://ftp.moeller.net/DOCUMENTATION/AWA\\_INSTRUCTIONS/IL01210011Z2010\\_11.pdf](ftp://ftp.moeller.net/DOCUMENTATION/AWA_INSTRUCTIONS/IL01210011Z2010_11.pdf)