
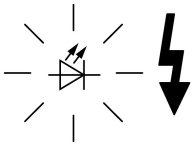




**Strobe light module; orange; LED;230 V**

**Part no.** SL4-FL230-A  
**Catalog No.** 171372  
**Alternate Catalog No.** SL4-FL230-A  
**EL-Nummer (Norway)** 4137607

### Delivery program

|                            |                |   |   |
|----------------------------|----------------|---|---|
| Product range              |                |   | SL signal towers  |
| Basic function             |                |   | Strobe light module   |
| Degree of Protection       |                |   | IP66  |
| Rated operational voltage  | U <sub>e</sub> | V | 230/240 V AC  |
| Type of light              |                |   | Strobe light  |
| Light elements             |                |   | LED   |
| <b>Colour</b>              |                |   |   |
|                            |                |   | Orange  |
|                            |                |   |   |
| Function                   |                |   |  |
| Connection to SmartWire-DT |                |   | no  |

### Technical data

|                             |  |    |   |
|-----------------------------|--|----|---|
| <b>General</b>              |  |    |   |
| Standards                   |  |    | IEC/EN 60947-5-1  |
| Climatic proofing           |  |    | Damp heat, cyclic, to IEC 60068-2-30                                      |
| Mounting position           |  |    | As required   |
| Mechanical shock resistance |  | g  | > 15<br>according to IEC 60068-2-27<br>Shock duration 11 ms<br>Sinusoidal |
| IEC degree of protection    |  |    | IP66<br>IEC/EN 60529  |
| Protection type UL          |  |    | Type 4, 4X, 13  |
| Material                    |  |    | Enclosure: Polycarbonate (PC), black<br>Cap: Polycarbonate (PC)           |
| Cap colour                  |  |    | Orange  |
| Ambient temperature         |  | °C | -30 - +60   |
| Number of signal elements   |  |    | Max. 5 with standard base<br>Max. 10 with base for mounting on both sides |
| Weight                      |  | g  | 45  |

### Contacts

|                                       |                  |      |       |
|---------------------------------------|------------------|------|-------|
| Rated impulse withstand voltage       | U <sub>imp</sub> | V AC | 4000  |
| Rated insulation voltage              | U <sub>i</sub>   | V    | 250   |
| Overvoltage category/pollution degree |                  |      | III/3 |

### modules

|                           |  |  |              |
|---------------------------|--|--|--------------|
| Type of light             |  |  | Strobe light |
| Light elements            |  |  | LED          |
| Flashing/strobe frequency |  |  | 1.4 Hz       |

|                            |   |                     |
|----------------------------|---|---------------------|
| Leakage current            | A | < 0.003             |
| lifespan                   | h | > 100000            |
| Transmission angle         |   | 360°                |
| Current-/power consumption |   |                     |
| at 230 /240V AC            | A | 0.10                |
| Voltage range              |   | 230/240 V AC ± 10 % |

## Design verification as per IEC/EN 61439

|  |    |     |
|--|----|-----|
| Technical data for design verification |    |     |
| Operating ambient temperature min.     | °C | -30 |
| Operating ambient temperature max.     | °C | 60  |

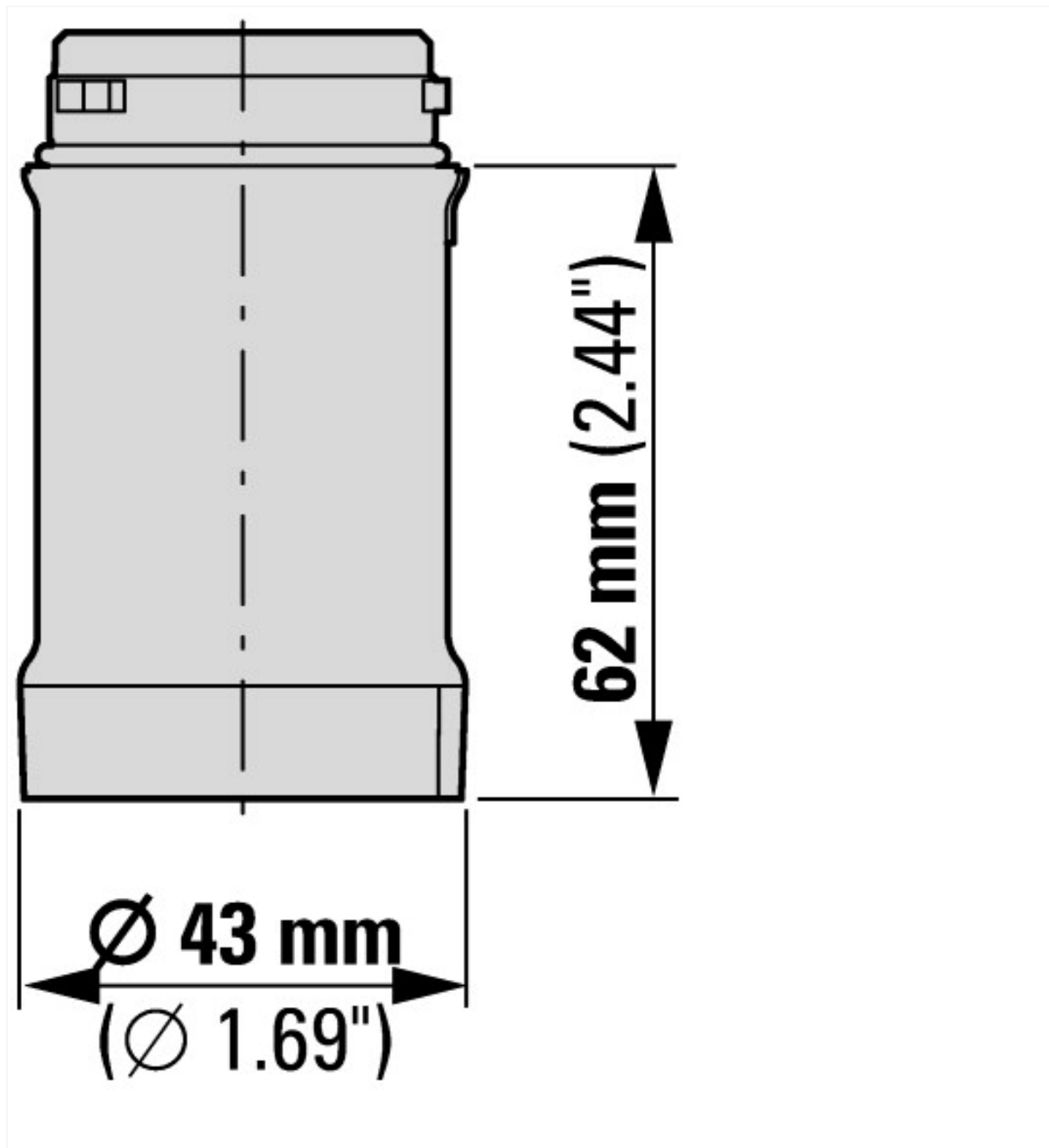
## Technical data ETIM 7.0

|   |    |             |
|---|----|-------------|
| Low-voltage industrial components (EG000017) / Optical module for signal tower (EC000232)   |    |             |
| Electric engineering, automation, process control engineering / Low-voltage switch technology / Command and alarm device / Optical module for signal tower (ecl@ss10.0.1-27-37-12-20 [AKF038014]) |    |             |
| Function  |    | Flash light |
| Colour  |    | Orange      |
| Outer diameter  | mm | 43          |
| Operating voltage at AC 50 Hz   | V  | 230 - 240   |
| Operating voltage at AC 60 Hz   | V  | 230 - 240   |
| Operating voltage at DC   | V  | 0 - 0       |
| Voltage type  |    | AC          |
| Lamp type   |    | LED         |
| Colour housing  |    | Black       |
| Degree of protection (IP)   |    | IP66        |
| Degree of protection (NEMA)   |    | 4X          |

## Approvals

|                             |  |  |
|-----------------------------|--|--|
| Product Standards           |  | IEC/EN 60947-5-1; UL 508; CSA-C22.2 No. 14-10; CSA-C22.2 No. 94-91; CE marking |
| UL File No.                 |  | E29184   |
| UL Category Control No.     |  | NKCR   |
| CSA File No.                |  | UL report applies to both US and Canada  |
| CSA Class No.               |  | NKCR7  |
| North America Certification |  | UL listed, certified by UL for use in Canada                                   |
| Degree of Protection        |  | UL Type 4, 4X, 13  |

## Dimensions



## Assets (links)

### Declaration of CE Conformity

00002899

### Instruction Leaflets

IL047001ZU2018\_05

## Additional product information (links)

### IL047001ZU SL4 Main Instruction

IL047001ZU SL4 Main Instruction

[ftp://ftp.moeller.net/DOCUMENTATION/AWA\\_INSTRUCTIONS/IL047001ZU2018\\_05.pdf](ftp://ftp.moeller.net/DOCUMENTATION/AWA_INSTRUCTIONS/IL047001ZU2018_05.pdf)