

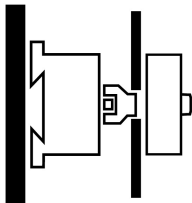
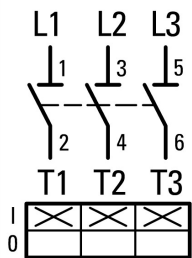


Fuse switch-disconnector, 3 pole, rear mounting, 100 A, NH000/NH00



Part no. **QSA100N1-00/3**
 Catalog No. **1318546**

Delivery program

| | | | |
|---|-------|------|--|
| Product range | | | Fuse-switch-disconnector Main switch maintenance switch |
| Part group reference | | | QSA |
| Stop Function | | | optional |
| Notes | | | Suitable for DIN fuse-links (blade contacts type) |
| Information about equipment supplied | | | Auxiliary contact or neutral conductor fitted by user. |
| Number of poles | | | 3 pole |
| Auxiliary contacts | | | |
| | | N/O | 0 |
| | | N/C | 0 |
| Degree of Protection | | | IP00 IP20 with terminal cover |
| Design | | | rear mounting |
| | | |  |
| Contact sequence | | |  |
| Rated uninterrupted current | I_u | A | 100 |
| Note on rated uninterrupted current I_u | | | Rated uninterrupted current I_u is specified for max. cross-section. |
| Fuse cartridge | | Size | NH000/NH00 |

Technical data

General

| | | | |
|---------------------------------------|-----------|----|---|
| Standards | | | IEC/EN 60947, VDE 0660, IEC/EN 60204 Switch-disconnector according to IEC/EN 60947-3 |
| Certifications | | | CE, RoHs |
| Ambient temperature | | | |
| Operation | θ | °C | -25 - +55 |
| Storage | θ | °C | -30 - +80 |
| Overvoltage category/pollution degree | | | III/3 |
| Rated impulse withstand voltage | U_{imp} | kV | 6 |
| Rated insulation voltage | U_i | V | 690 |
| Mounting position | | | As required |

Contacts

| | | | |
|----------------------|--|--|--------|
| Mechanical variables | | | |
| Number of poles | | | 3 pole |

| | | | |
|--|-----------|------|--|
| Auxiliary contacts | | | |
| | | N/O | 0 |
| | | N/C | 0 |
| Electrical characteristics | | | |
| Rated operational voltage | U_e | V AC | 690 |
| Rated uninterrupted current | I_u | A | 100 |
| Note on rated uninterrupted current I_u | | | Rated uninterrupted current I_u is specified for max. cross-section. |
| Heat dissipation per pole, current-dependent | P_{vid} | W | 6 |

Design verification as per IEC/EN 61439

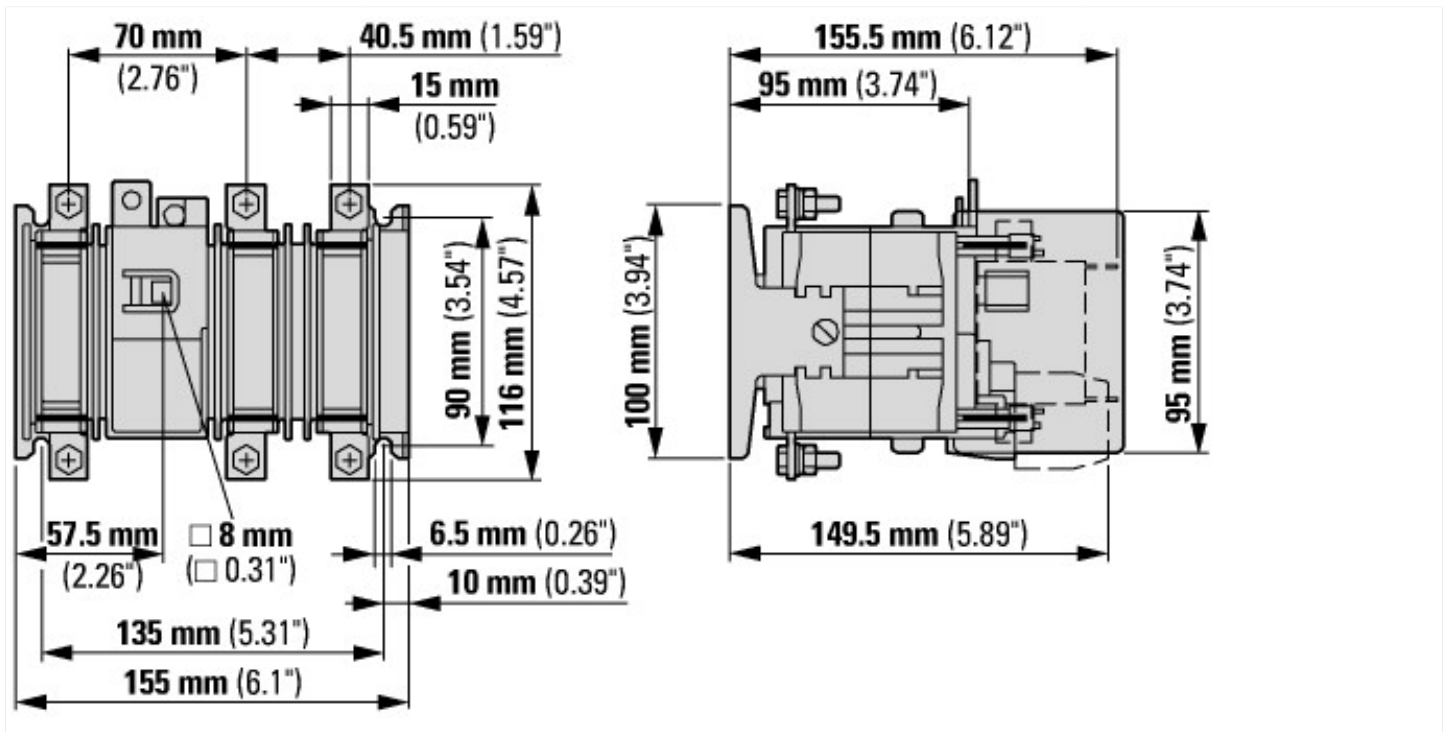
| | | | |
|--|------------|----|--|
| Technical data for design verification | | | |
| Rated operational current for specified heat dissipation | I_n | A | 100 |
| Heat dissipation per pole, current-dependent | P_{vid} | W | 6 |
| Equipment heat dissipation, current-dependent | P_{vid} | W | 0 |
| Static heat dissipation, non-current-dependent | P_{vs} | W | 0 |
| Heat dissipation capacity | P_{diss} | W | 0 |
| Operating ambient temperature min. | | °C | -25 |
| Operating ambient temperature max. | | °C | 55 |
| IEC/EN 61439 design verification | | | |
| 10.2 Strength of materials and parts | | | |
| 10.2.2 Corrosion resistance | | | Meets the product standard's requirements. |
| 10.2.3.1 Verification of thermal stability of enclosures | | | Meets the product standard's requirements. |
| 10.2.3.2 Verification of resistance of insulating materials to normal heat | | | Meets the product standard's requirements. |
| 10.2.3.3 Verification of resistance of insulating materials to abnormal heat and fire due to internal electric effects | | | Meets the product standard's requirements. |
| 10.2.4 Resistance to ultra-violet (UV) radiation | | | Meets the product standard's requirements. |
| 10.2.5 Lifting | | | Does not apply, since the entire switchgear needs to be evaluated. |
| 10.2.6 Mechanical impact | | | Does not apply, since the entire switchgear needs to be evaluated. |
| 10.2.7 Inscriptions | | | Meets the product standard's requirements. |
| 10.3 Degree of protection of ASSEMBLIES | | | Does not apply, since the entire switchgear needs to be evaluated. |
| 10.4 Clearances and creepage distances | | | Meets the product standard's requirements. |
| 10.5 Protection against electric shock | | | Does not apply, since the entire switchgear needs to be evaluated. |
| 10.6 Incorporation of switching devices and components | | | Does not apply, since the entire switchgear needs to be evaluated. |
| 10.7 Internal electrical circuits and connections | | | Is the panel builder's responsibility. |
| 10.8 Connections for external conductors | | | Is the panel builder's responsibility. |
| 10.9 Insulation properties | | | |
| 10.9.2 Power-frequency electric strength | | | Is the panel builder's responsibility. |
| 10.9.3 Impulse withstand voltage | | | Is the panel builder's responsibility. |
| 10.9.4 Testing of enclosures made of insulating material | | | Is the panel builder's responsibility. |
| 10.10 Temperature rise | | | The panel builder is responsible for the temperature rise calculation. Eaton will provide heat dissipation data for the devices. |
| 10.11 Short-circuit rating | | | Is the panel builder's responsibility. The specifications for the switchgear must be observed. |
| 10.12 Electromagnetic compatibility | | | Is the panel builder's responsibility. The specifications for the switchgear must be observed. |
| 10.13 Mechanical function | | | The device meets the requirements, provided the information in the instruction leaflet (IL) is observed. |

Technical data ETIM 7.0

| | | | |
|--|--|----|-----|
| Low-voltage industrial components (EG000017) / Fuse switch disconnecter (EC001040) | | | |
| Electric engineering, automation, process control engineering / Low-voltage switch technology / Off-load switch, circuit breaker, control switch / Fuse switch disconnecter (ecl@ss10.0.1-27-37-14-01 [AKF058013]) | | | |
| Version as main switch | | | Yes |
| Version as safety switch | | | No |
| Max. rated operation voltage U_e AC | | V | 690 |
| Rated permanent current I_u | | A | 100 |
| Rated operation power at AC-23, 400 V | | kW | 55 |

| | | |
|---|----|------------------|
| Conditioned rated short-circuit current Iq | kA | 50 |
| Rated short-time withstand current Icw | kA | 0 |
| Suitable for fuses | | NH00 |
| Number of poles | | 3 |
| With error protection | | No |
| Type of electrical connection of main circuit | | Screw connection |
| Cable entry | | Other |
| Equipped with connectors | | Yes |
| Suitable for ground mounting | | Yes |
| Suitable for front mounting 4-hole | | No |
| Suitable for busbar mounting | | No |
| Type of control element | | Other |
| Position control element | | Front side |
| Motor drive optional | | No |
| Motor drive integrated | | No |
| Version as emergency stop installation | | No |
| Degree of protection (IP), front side | | IP00 |

Dimensions



Assets (links)

Declaration of CE Conformity

00003042

Instruction Leaflets

IL008011ZU2018_05

Additional product information (links)

IL008011ZU Safety switch-disconnector

IL008011ZU Safety switch-disconnector ftp://ftp.moeller.net/DOCUMENTATION/AWA_INSTRUCTIONS/IL008011ZU2018_05.pdf