

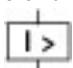
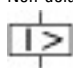


Circuit-breaker, 3p, 100A, plug-in module

Part no. **NZMH1-S100-SVE**
 Catalog No. **112809**

Similar to illustration

Delivery program

| | | | | |
|---|--------------------------|----|--|--|
| Product range | | | | Circuit-breaker |
| Protective function | | | | Short-circuit protection |
| Standard/Approval | | | | IEC |
| Installation type | | | | Plug-in units |
| Release system | | | | Thermomagnetic release |
| Construction size | | | | NZM1 |
| Description | | | | Motor protection in conjunction with overload relay With short-circuit release Without overload release I _r IEC/EN 60947-4-1, IEC/EN 60947-2 The circuit-breaker fulfills all requirements for AC-3 switching category. |
| Number of poles | | | | 3 pole |
| Standard equipment | | | | Box terminal |
| Rated current = rated uninterrupted current | $I_n = I_u$ | A | | 100 |
| Switching capacity | | | | |
| 400/415 V 50 Hz | I_{cu} | kA | | 100 |
| Setting range | | | | |
| Short-circuit releases | | | | |
|  | | | | |
| Non-delayed | $I_i = I_n \times \dots$ | | | 8 - 12.5 |
|  | | | | |
| Motor rating AC-3 at 400 V 50/60 Hz | | | | |
| 380 V 400 V | P | kW | | 45 |
| Rated operational current AC-3 at 400 V 50/60 Hz | | | | |
| 400 V | I_e | A | | 81 |

Technical data

General

| | | | | |
|---|--|------|--|--|
| Standards | | | | IEC/EN 60947 |
| Protection against direct contact | | | | Finger and back of hand proof to VDE 0106 Part 100 |
| Climatic proofing | | | | Damp heat, constant, to IEC 60068-2-78 Damp heat, cyclic, to IEC 60068-2-30 |
| Ambient temperature | | | | |
| Ambient temperature, storage | | °C | | - 40 - + 70 |
| Operation | | °C | | -25 - +70 |
| Mechanical shock resistance (10 ms half-sinusoidal shock) according to IEC 60068-2-27 | | g | | 20 (half-sinusoidal shock 20 ms) |
| Safe isolation to EN 61140 | | | | |
| Between auxiliary contacts and main contacts | | V AC | | 500 |
| between the auxiliary contacts | | V AC | | 300 |
| Mounting position | | | | Vertical and 90° in all directions |



With XFI earth-fault release:
 - NZM1, N1, NZM2, N2: vertical and 90° in all directions
 with plug-in unit
 - NZM1, N1, NZM2, N2: vertical, 90° right/left
 with withdrawable unit:
 - NZM3, N3: vertical, 90° right/left
 - NZM4, N4: vertical
 with remote operator:
 - NZM2, N(S)2, NZM3, N(S)3, NZM4, N(S)4: vertical and 90° in all directions

| | | |
|--|--|--|
| Direction of incoming supply | | as required |
| Degree of protection | | |
| Device | | In the operating controls area: IP20 (basic degree of protection) |
| Enclosures | | With insulating surround: IP40 With door coupling rotary handle: IP66 |
| Terminations | | Tunnel terminal: IP10 Phase isolator and strip terminal: IP00 |
| Other technical data (sheet catalogue) | | Temperature dependency, Derating |

Circuit-breakers

| | | | |
|---|-------------|------|-------|
| Rated current = rated uninterrupted current | $I_n = I_u$ | A | 100 |
| Rated surge voltage invariability | U_{imp} | | |
| Main contacts | | V | 6000 |
| Auxiliary contacts | | V | 6000 |
| Rated operational voltage | U_e | V AC | 690 |
| Overvoltage category/pollution degree | | | III/3 |
| Rated insulation voltage | U_i | V | 690 |
| Use in unearthed supply systems | | V | ≤ 690 |

Switching capacity

| | | | |
|---|------------|----|---|
| Rated short-circuit making capacity | I_{cm} | | |
| 240 V | I_{cm} | kA | 220 |
| 400/415 V | I_{cm} | kA | 220 |
| 440 V 50/60 Hz | I_{cm} | kA | 74 |
| 525 V 50/60 Hz | I_{cm} | kA | 40 |
| 690 V 50/60 H | I_c | kA | 17 |
| Rated short-circuit breaking capacity I_{cn} | I_{cn} | | |
| I_{cu} to IEC/EN 60947 test cycle O-t-CO | I_{cu} | kA | |
| 240 V 50/60 Hz | I_{cu} | kA | 100 |
| 400/415 V 50/60 Hz | I_{cu} | kA | 100 |
| 440 V 50/60 Hz | I_{cu} | kA | 70 |
| 525 V 50/60 Hz | I_{cu} | kA | 20 |
| 690 V 50/60 Hz | I_{cu} | kA | 10 |
| I_{cs} to IEC/EN 60947 test cycle O-t-CO-t-CO | I_{cs} | kA | |
| 240 V 50/60 Hz | I_{cs} | kA | 100 |
| 400/415 V 50/60 Hz | I_{cs} | kA | 50 |
| 440 V 50/60 Hz | I_{cs} | kA | 35 |
| 525 V 50/60 Hz | I_{cs} | kA | 10 |
| 690 V 50/60 Hz | I_{cs} | kA | 7.5 |
| | | | Maximum back-up fuse, if the expected short-circuit currents at the installation location exceed the switching capacity of the circuit-breaker. |
| Utilization category to IEC/EN 60947-2 | | | A |
| Lifespan, mechanical(of which max. 50 % trip by shunt/undervoltage release) | Operations | | 20000 |
| Lifespan, electrical | | | |
| AC-1 | | | |
| 400 V 50/60 Hz | Operations | | 10000 |
| 415 V 50/60 Hz | Operations | | 10000 |
| 690 V 50/60 Hz | Operations | | 7500 |
| AC--3 | | | |

| | | |
|-----------------------------------|------------|------|
| 400 V 50/60 Hz | Operations | 7500 |
| 415 V 50/60 Hz | Operations | 7500 |
| 690 V 50/60 Hz | Operations | 5000 |
| Max. operating frequency | Ops/h | 120 |
| Total break time at short-circuit | ms | < 10 |

Terminal capacity

| | | | |
|---|------|-----------------|--|
| Standard equipment | | | Box terminal |
| Accessories required | | | NZM1-XSVS |
| Optional accessories | | | Screw connection Tunnel terminal connection on rear |
| Round copper conductor | | | |
| Box terminal | | | |
| Solid | | mm ² | 1 x (10 - 16) 2 x (6 - 16) |
| Stranded | | mm ² | 1 x (10 - 70) ³⁾ 2 x (6-25) |
| | | | ³⁾ Up to 95 mm ² can be connected depending on the cable manufacturer. |
| Tunnel terminal | | | |
| Solid | | mm ² | 1 x 16 |
| Stranded | | | |
| 1-hole | | mm ² | 1 x (25 - 95) |
| Bolt terminal and rear-side connection | | | |
| Direct on the switch | | | |
| Solid | | mm ² | 1 x (10 - 16) 2 x (6 - 16) |
| Stranded | | mm ² | 1 x (10 - 70) ³⁾ 2 x 25 |
| | | | ³⁾ Up to 95 mm ² can be connected depending on the cable manufacturer. |
| Al circular conductor | | | |
| Tunnel terminal | | | |
| Solid | | mm ² | 1 x 16 |
| Stranded | | | |
| Stranded | | mm ² | 1 x (25 - 95) |
| Bolt terminal and rear-side connection | | | |
| Direct on the switch | | | |
| Solid | | mm ² | 1 x (10 - 16) 2 x (10 - 16) |
| Stranded | | mm ² | 1 x (25 - 35) 2 x (25 - 35) |
| Cu strip (number of segments x width x segment thickness) | | | |
| Box terminal | | | |
| | min. | mm | 2 x 9 x 0.8 |
| | max. | mm | 9 x 9 x 0.8 |
| Copper busbar (width x thickness) | | mm | |
| Bolt terminal and rear-side connection | | | |
| Screw connection | | | M6 |
| Direct on the switch | | | |
| | min. | mm | 12 x 5 |
| | max. | mm | 16 x 5 |
| Control cables | | | |
| | | mm ² | 1 x (0.75 - 2.5) 2 x (0.75 - 1.5) |

Design verification as per IEC/EN 61439

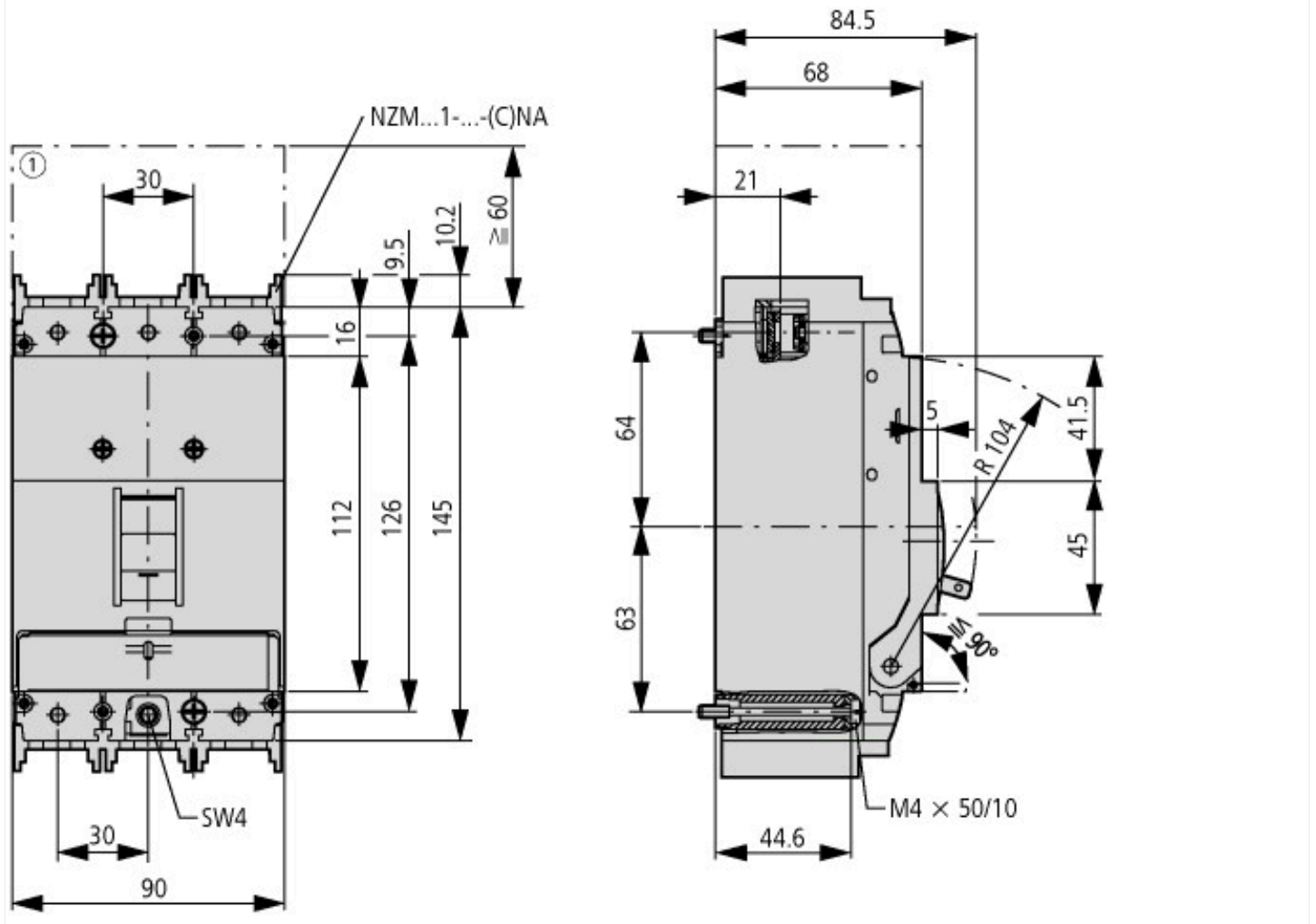
| | | | |
|--|------------------|---|------|
| Technical data for design verification | | | |
| Rated operational current for specified heat dissipation | I _n | A | 100 |
| Equipment heat dissipation, current-dependent | P _{vid} | W | 21.9 |

| | | |
|--|----|--|
| Operating ambient temperature min. | °C | -25 |
| Operating ambient temperature max. | °C | 70 |
| IEC/EN 61439 design verification | | |
| 10.2 Strength of materials and parts | | |
| 10.2.2 Corrosion resistance | | Meets the product standard's requirements. |
| 10.2.3.1 Verification of thermal stability of enclosures | | Meets the product standard's requirements. |
| 10.2.3.2 Verification of resistance of insulating materials to normal heat | | Meets the product standard's requirements. |
| 10.2.3.3 Verification of resistance of insulating materials to abnormal heat and fire due to internal electric effects | | Meets the product standard's requirements. |
| 10.2.4 Resistance to ultra-violet (UV) radiation | | Meets the product standard's requirements. |
| 10.2.5 Lifting | | Does not apply, since the entire switchgear needs to be evaluated. |
| 10.2.6 Mechanical impact | | Does not apply, since the entire switchgear needs to be evaluated. |
| 10.2.7 Inscriptions | | Meets the product standard's requirements. |
| 10.3 Degree of protection of ASSEMBLIES | | Does not apply, since the entire switchgear needs to be evaluated. |
| 10.4 Clearances and creepage distances | | Meets the product standard's requirements. |
| 10.5 Protection against electric shock | | Does not apply, since the entire switchgear needs to be evaluated. |
| 10.6 Incorporation of switching devices and components | | Does not apply, since the entire switchgear needs to be evaluated. |
| 10.7 Internal electrical circuits and connections | | Is the panel builder's responsibility. |
| 10.8 Connections for external conductors | | Is the panel builder's responsibility. |
| 10.9 Insulation properties | | |
| 10.9.2 Power-frequency electric strength | | Is the panel builder's responsibility. |
| 10.9.3 Impulse withstand voltage | | Is the panel builder's responsibility. |
| 10.9.4 Testing of enclosures made of insulating material | | Is the panel builder's responsibility. |
| 10.10 Temperature rise | | The panel builder is responsible for the temperature rise calculation. Eaton will provide heat dissipation data for the devices. |
| 10.11 Short-circuit rating | | Is the panel builder's responsibility. The specifications for the switchgear must be observed. |
| 10.12 Electromagnetic compatibility | | Is the panel builder's responsibility. The specifications for the switchgear must be observed. |
| 10.13 Mechanical function | | The device meets the requirements, provided the information in the instruction leaflet (IL) is observed. |

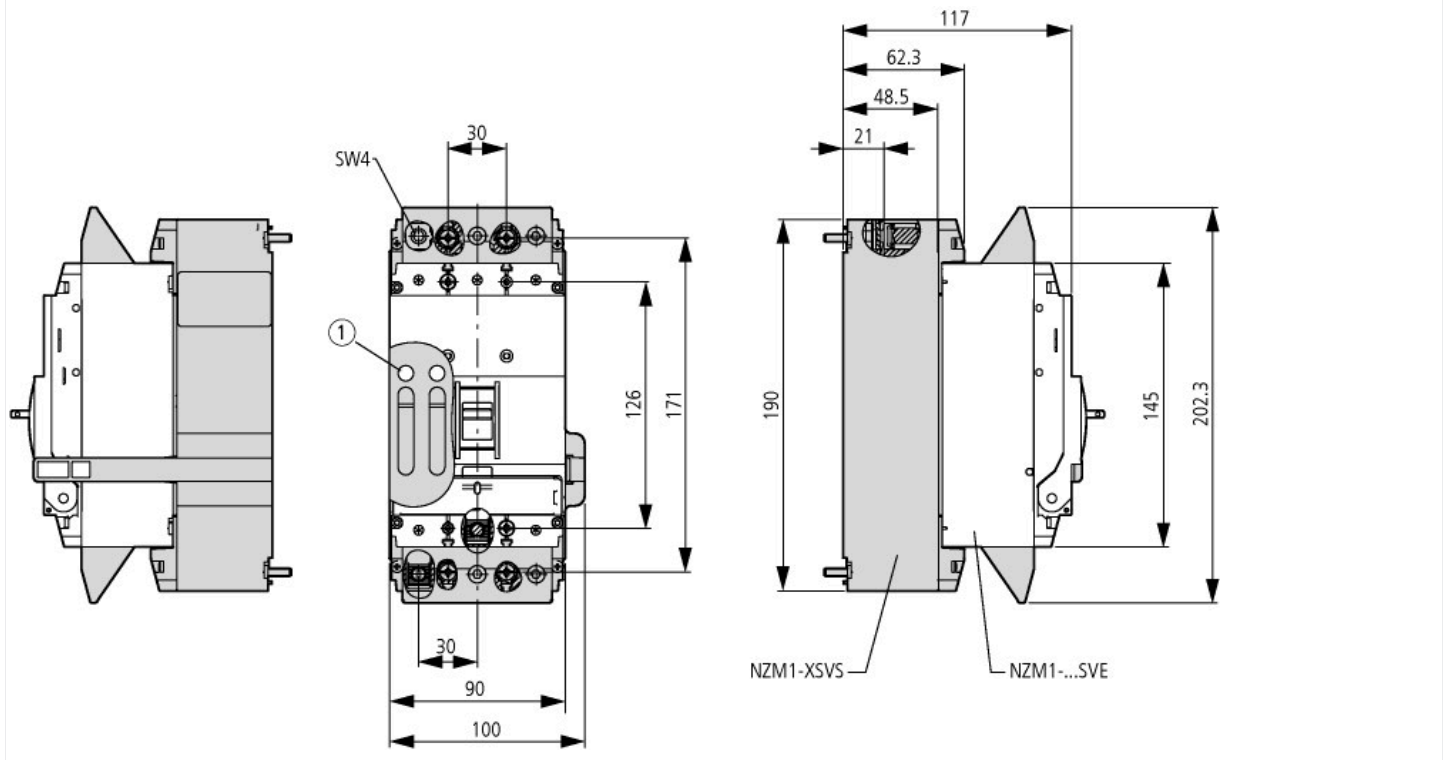
Technical data ETIM 7.0

| | | |
|---|----|-----------------------------------|
| Low-voltage industrial components (EG000017) / Motor protection circuit-breaker (EC000074) | | |
| Electric engineering, automation, process control engineering / Low-voltage switch technology / Circuit breaker (LV < 1 kV) / Motor protection circuit-breaker (ecl@ss10.0.1-27-37-04-01 [AGZ529016]) | | |
| Overload release current setting | A | 0 - 0 |
| Adjustment range undelayed short-circuit release | A | 8 - 12.5 |
| With thermal protection | | No |
| Phase failure sensitive | | No |
| Switch off technique | | Magnetic |
| Rated operating voltage | V | 690 - 690 |
| Rated permanent current I _u | A | 100 |
| Rated operation power at AC-3, 230 V | kW | 30 |
| Rated operation power at AC-3, 400 V | kW | 55 |
| Type of electrical connection of main circuit | | Other |
| Type of control element | | Rocker lever |
| Device construction | | Built-in device plug-in technique |
| With integrated auxiliary switch | | No |
| With integrated under voltage release | | No |
| Number of poles | | 3 |
| Rated short-circuit breaking capacity I _{cu} at 400 V, AC | kA | 100 |
| Degree of protection (IP) | | IP20 |
| Height | mm | 145 |
| Width | mm | 90 |
| Depth | mm | 84.5 |

Dimensions



① Blow out area, minimum clearance to adjacent parts



Additional product information (links)

IL01203004Z (AWA1230-1913) Circuit-breaker, Switch-Disconnecter

IL01203004Z (AWA1230-1913) Circuit-breaker, Switch-Disconnecter ftp://ftp.moeller.net/DOCUMENTATION/AWA_INSTRUCTIONS/IL01203004Z2015_11.pdf

IL01219023Z (AWA1230-2052) Plug-in adapter

IL01219023Z (AWA1230-2052) Plug-in adapter ftp://ftp.moeller.net/DOCUMENTATION/AWA_INSTRUCTIONS/IL01219023Z2016_02.pdf

| | |
|---|---|
| Temperature dependency, Derating | http://ecat.moeller.net/flip-cat/?edition=HPLEN&startpage=17.172 |
| CurveSelect characteristics program | http://www.eaton.eu/DE/Europe/Electrical/CustomerSupport/ConfigurationTools/CharacteristicsProgram/index.htm |
| Eaton configurator | http://www.eaton.eu/DE/Europe/Electrical/CustomerSupport/ConfigurationTools/ConfiguratorCircuitBreaker/index.htm |
| additional technical information for NZM power switch | ftp://ftp.moeller.net/DOCUMENTATION/PDF/nzm_technic_de_en.pdf |