

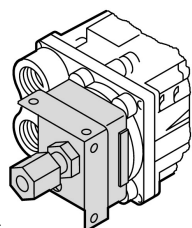


Cutting ring, pipe fitting

Part no. E8-MCS
Catalog No. 040949
Alternate Catalog No. MCSX-E8

Delivery program

Product range		Accessories
Basic function		Compression fitting
		Article no. when ordered separately
For use with		MCS, MCSN



Notes

External diameter: 8 mm

Integrated wall fixing bracket, can be turned 180°

Design verification as per IEC/EN 61439

Technical data for design verification		
Operating ambient temperature min.	°C	-25
Operating ambient temperature max.	°C	60

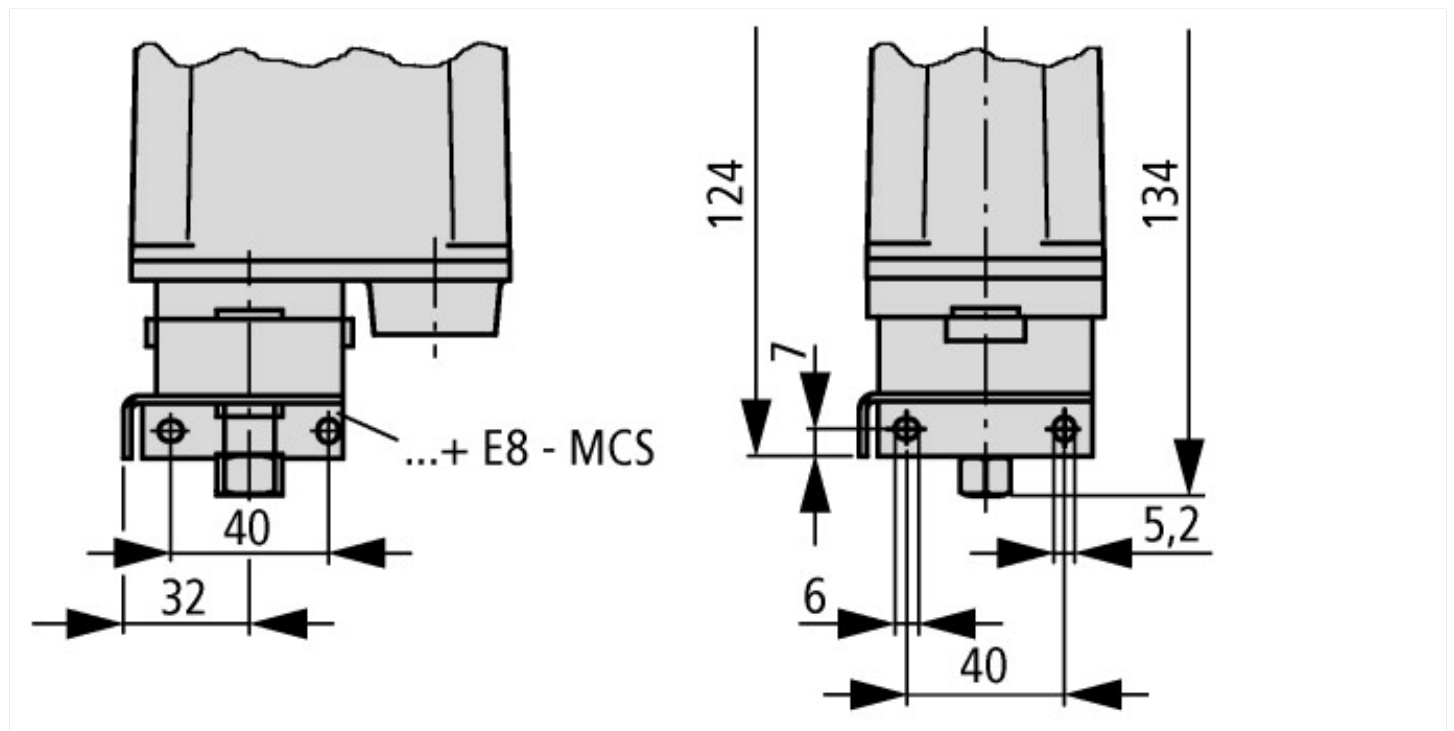
Technical data ETIM 7.0

Low-voltage industrial components (EG000017) / Accessories for low-voltage switch technology (EC002498)		
Electric engineering, automation, process control engineering / Low-voltage switch technology / Component for low-voltage switching technology / Component for low-voltage switch technology (accessories) (ecl@ss10.0.1-27-37-13-92 [AKN570013])		
Type of accessory		Other

Approvals

Product Standards		CSA-CC22.2 No. 14
CSA File No.		12528
CSA Class No.		3211-06
North America Certification		CSA certified

Dimensions



Assets (links)

Declaration of CE Conformity

00002838

Instruction Leaflets

IL05212001Z2018_05

Additional product information (links)

IL05212001Z (AWA1320-0132) Pressure switch

IL05212001Z (AWA1320-0132) Pressure switch ftp://ftp.moeller.net/DOCUMENTATION/AWA_INSTRUCTIONS/IL05212001Z2018_05.pdf