



**Extension, for telescopic clip**

**Part no.** M22-TCV  
**Catalog No.** 225527  
**Alternate Catalog No.** M22-TCVQ

**Delivery program**

|                            |  |  |   |
|----------------------------|--|--|---|
| Accessories                |  |  | General accessories                               |
| Basic function accessories |  |  | Extension   |
| Connection to SmartWire-DT |  |  | no  |
| For use with               |  |  | Telescopic clip for a mounting depth up to 205 mm |

**Technical data**

**General**

|                     |  |    |           |
|---------------------|--|----|-----------|
| Ambient temperature |  |    |           |
| Open                |  | °C | -25 - +70 |

**Design verification as per IEC/EN 61439**

| Technical data for design verification   |            |    |     |
|--|------------|----|-----|
| Rated operational current for specified heat dissipation   | $I_n$      | A  | 0   |
| Heat dissipation per pole, current-dependent   | $P_{vid}$  | W  | 0   |
| Equipment heat dissipation, current-dependent  | $P_{vid}$  | W  | 0   |
| Static heat dissipation, non-current-dependent   | $P_{vs}$   | W  | 0   |
| Heat dissipation capacity  | $P_{diss}$ | W  | 0   |
| Operating ambient temperature min.   |            | °C | -25 |
| Operating ambient temperature max.   |            | °C | 70  |
| <b>IEC/EN 61439 design verification</b>  |            |    |     |
| 10.2 Strength of materials and parts   |            |    |     |
| 10.2.2 Corrosion resistance  |            |    |     |
| 10.2.3.1 Verification of thermal stability of enclosures   |            |    |     |
| 10.2.3.2 Verification of resistance of insulating materials to normal heat   |            |    |     |
| 10.2.3.3 Verification of resistance of insulating materials to abnormal heat and fire due to internal electric effects |            |    |     |
| 10.2.4 Resistance to ultra-violet (UV) radiation   |            |    |     |
| 10.2.5 Lifting   |            |    |     |
| 10.2.6 Mechanical impact   |            |    |     |
| 10.2.7 Inscriptions  |            |    |     |
| 10.3 Degree of protection of ASSEMBLIES  |            |    |     |
| 10.4 Clearances and creepage distances   |            |    |     |
| 10.5 Protection against electric shock   |            |    |     |
| 10.6 Incorporation of switching devices and components   |            |    |     |
| 10.7 Internal electrical circuits and connections  |            |    |     |
| 10.8 Connections for external conductors   |            |    |     |
| 10.9 Insulation properties   |            |    |     |
| 10.9.2 Power-frequency electric strength   |            |    |     |
| 10.9.3 Impulse withstand voltage   |            |    |     |
| 10.9.4 Testing of enclosures made of insulating material   |            |    |     |
| 10.10 Temperature rise   |            |    |     |
| 10.11 Short-circuit rating   |            |    |     |
| 10.12 Electromagnetic compatibility  |            |    |     |
| 10.13 Mechanical function  |            |    |     |

## Technical data ETIM 7.0

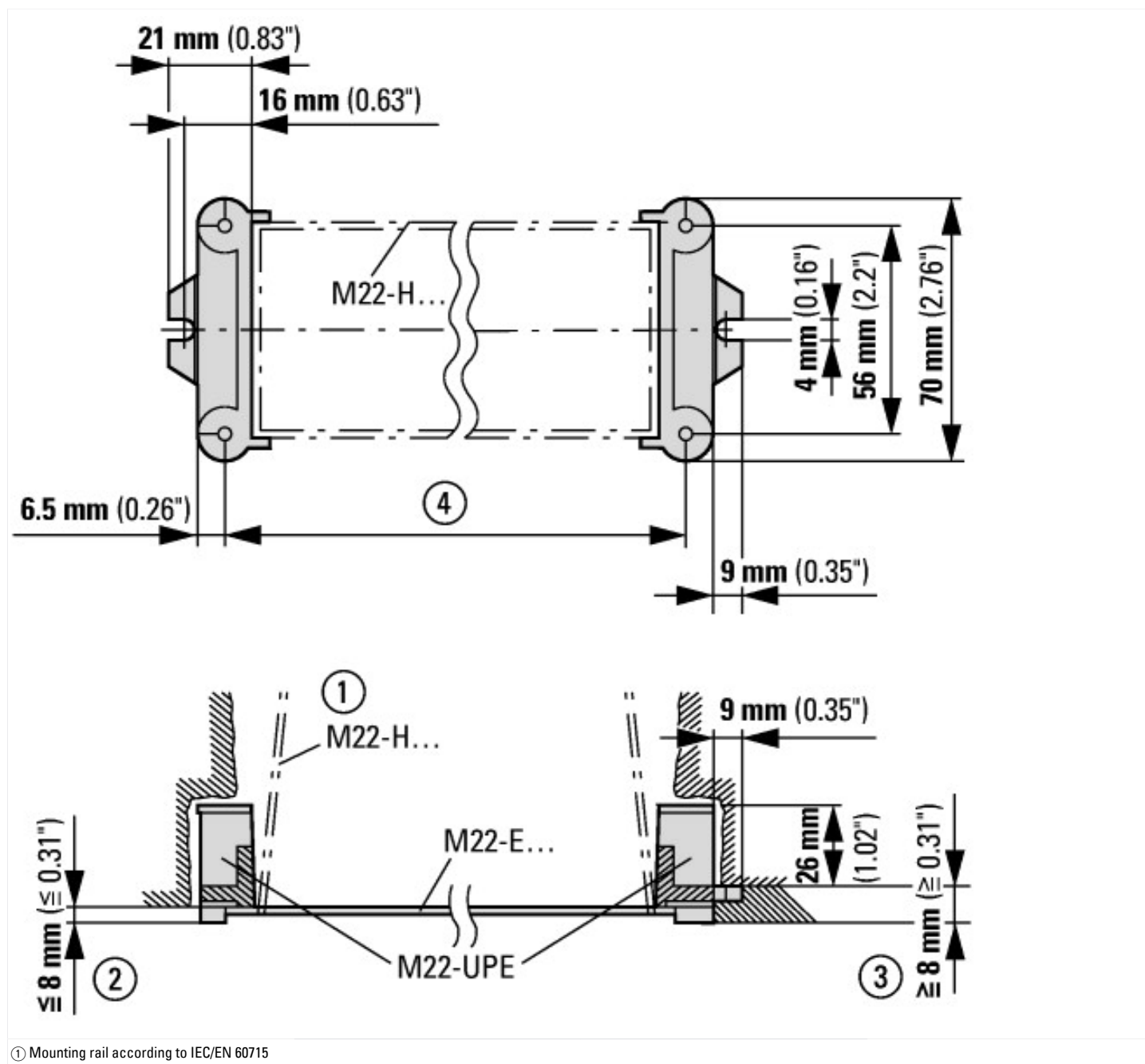
Low-voltage industrial components (EG000017) / Accessories for control circuit devices (EC002024)

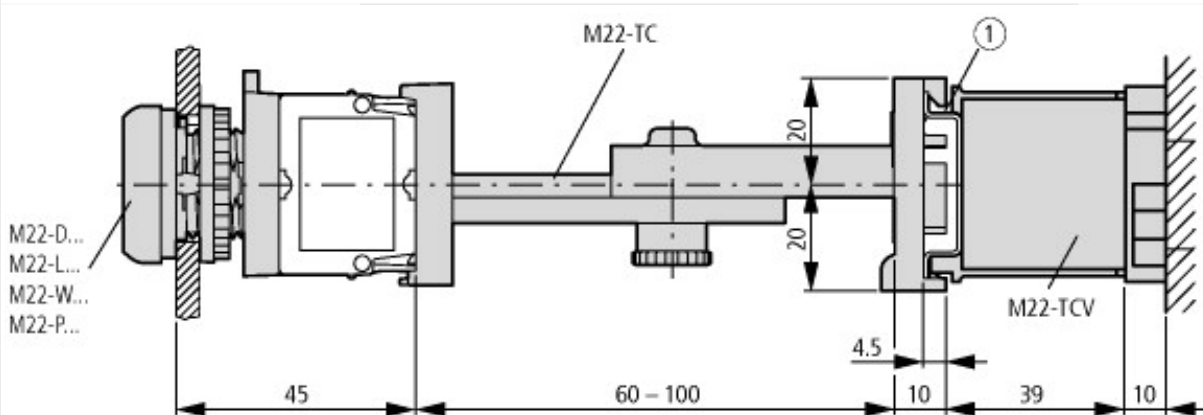
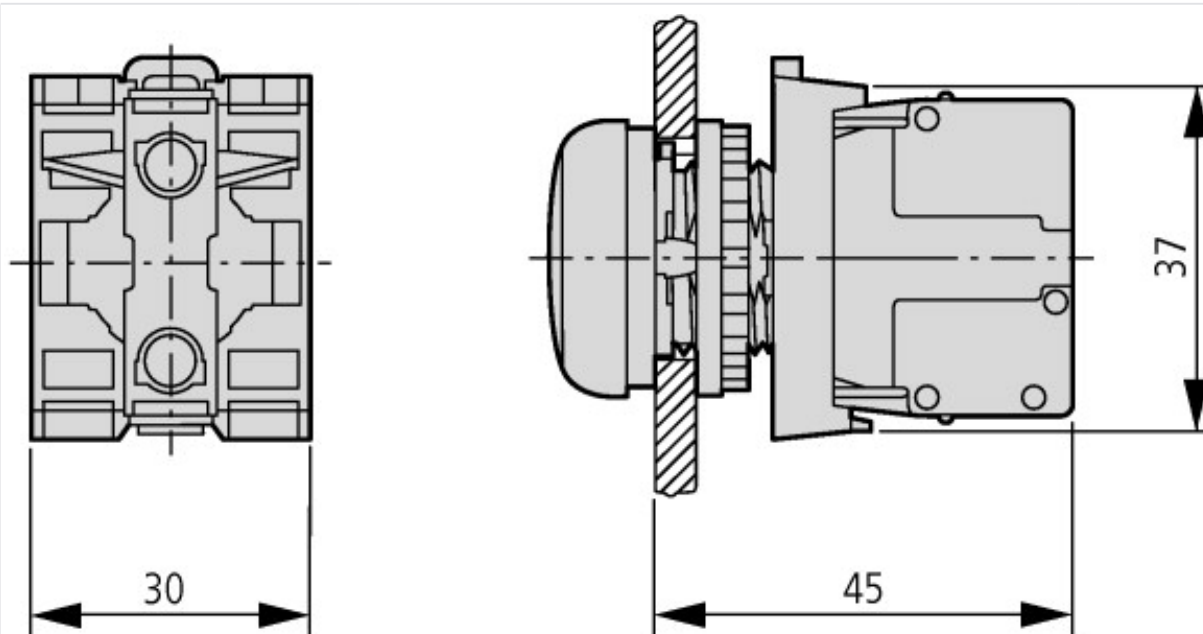
|                              |  |       |
|------------------------------|--|-------|
| Type of electrical accessory |  | Other |
| Type of mechanical accessory |  | Other |

## Approvals

|                             |  |  |
|-----------------------------|--|--|
| Product Standards           |  | IEC/EN 60947-5; UL 508; CSA-C22.2 No. 14-05; CSA-C22.2 No. 94-91; CE marking |
| UL File No.                 |  | E29184   |
| UL Category Control No.     |  | NKCR   |
| CSA File No.                |  | 012528   |
| CSA Class No.               |  | 3211-03  |
| North America Certification |  | UL listed, CSA certified   |

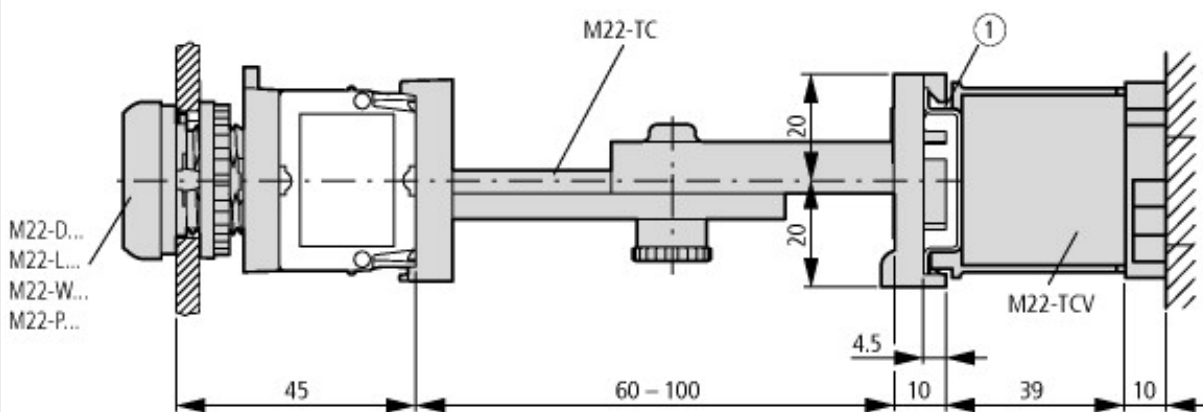
## Dimensions





Pushbuttons and indicator lights with M22-TC telescopic clip and M22-TCV extension

① Top-hat rail to IEC/EN 60715



Pushbuttons and indicator lights with M22-TC telescopic clip and M22-TCV extension

① Top-hat rail to IEC/EN 60715

## Assets (links)

### Declaration of CE Conformity

00003256

## Additional product information (links)

IL04716002Z (AWA1160-1745) RMQ-Titan System

IL04716002Z (AWA1160-1745) RMQ-Titan System

[ftp://ftp.moeller.net/DOCUMENTATION/AWA\\_INSTRUCTIONS/IL04716002Z2018\\_10.pdf](ftp://ftp.moeller.net/DOCUMENTATION/AWA_INSTRUCTIONS/IL04716002Z2018_10.pdf)