



Mushroom actuator, RMQ-Titan, Mushroom, maintained, Mushroom black, White, inscribed, Bezel: titanium



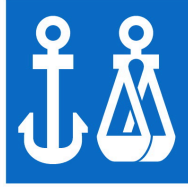


Part no. M22-DRP-W-X1
Catalog No. 216757
Alternate Catalog No. M22-DRP-W-X1Q
EL-Nummer (Norway) 4355485

Delivery program

Product range			RMQ-Titan
Basic function			Mushroom-headed pushbutton
Single unit/Complete unit			Single unit
Design			Mushroom maintained
Colour			
Mushroom			black
Mushroom colour			
Button plate			
button plate			White
Button plate			
			inscribed
Degree of Protection			IP66, IP67, IP69
Front ring			Bezel: titanium
Connection to SmartWire-DT			yes with SWD-RMQ connections
Front dimensions			22 x 22
Function			maintained
Instructions			Stay-put/spring-return function can be changed on device

Technical data

General			
Standards			IEC/EN 60947 VDE 0660
Lifespan, mechanical	Operations	x 10 ⁶	> 1
Operating frequency	Operations/h		≤ 1800
Actuating force	n		≤ 5
Climatic proofing			Damp heat, constant, to IEC 60068-2-78 Damp heat, cyclic, to IEC 60068-2-30
Degree of Protection			IP66, IP67, IP69
Ambient temperature			
Open		°C	-25 - +70
Storage		°C	- 40 - + 80
Mounting position			As required
Mechanical shock resistance		g	30 Shock duration 11 ms Sinusoidal according to IEC 60068-2-27

shipping classification				DNV GL LR
				  

Design verification as per IEC/EN 61439

Technical data for design verification					
Rated operational current for specified heat dissipation	I_n	A		0	
Heat dissipation per pole, current-dependent	P_{vid}	W		0	
Equipment heat dissipation, current-dependent	P_{vid}	W		0	
Static heat dissipation, non-current-dependent	P_{vs}	W		0	
Heat dissipation capacity	P_{diss}	W		0	
Operating ambient temperature min.		°C		-25	
Operating ambient temperature max.		°C		70	
IEC/EN 61439 design verification					
10.2 Strength of materials and parts					
10.2.2 Corrosion resistance					Meets the product standard's requirements.
10.2.3.1 Verification of thermal stability of enclosures					Meets the product standard's requirements.
10.2.3.2 Verification of resistance of insulating materials to normal heat					Meets the product standard's requirements.
10.2.3.3 Verification of resistance of insulating materials to abnormal heat and fire due to internal electric effects					Meets the product standard's requirements.
10.2.4 Resistance to ultra-violet (UV) radiation					Please enquire
10.2.5 Lifting					Does not apply, since the entire switchgear needs to be evaluated.
10.2.6 Mechanical impact					Does not apply, since the entire switchgear needs to be evaluated.
10.2.7 Inscriptions					Meets the product standard's requirements.
10.3 Degree of protection of ASSEMBLIES					Does not apply, since the entire switchgear needs to be evaluated.
10.4 Clearances and creepage distances					Meets the product standard's requirements.
10.5 Protection against electric shock					Does not apply, since the entire switchgear needs to be evaluated.
10.6 Incorporation of switching devices and components					Does not apply, since the entire switchgear needs to be evaluated.
10.7 Internal electrical circuits and connections					Is the panel builder's responsibility.
10.8 Connections for external conductors					Is the panel builder's responsibility.
10.9 Insulation properties					
10.9.2 Power-frequency electric strength					Is the panel builder's responsibility.
10.9.3 Impulse withstand voltage					Is the panel builder's responsibility.
10.9.4 Testing of enclosures made of insulating material					Is the panel builder's responsibility.
10.10 Temperature rise					Not applicable.
10.11 Short-circuit rating					Is the panel builder's responsibility. The specifications for the switchgear must be observed.
10.12 Electromagnetic compatibility					Is the panel builder's responsibility. The specifications for the switchgear must be observed.
10.13 Mechanical function					The device meets the requirements, provided the information in the instruction leaflet (IL) is observed.

Technical data ETIM 7.0

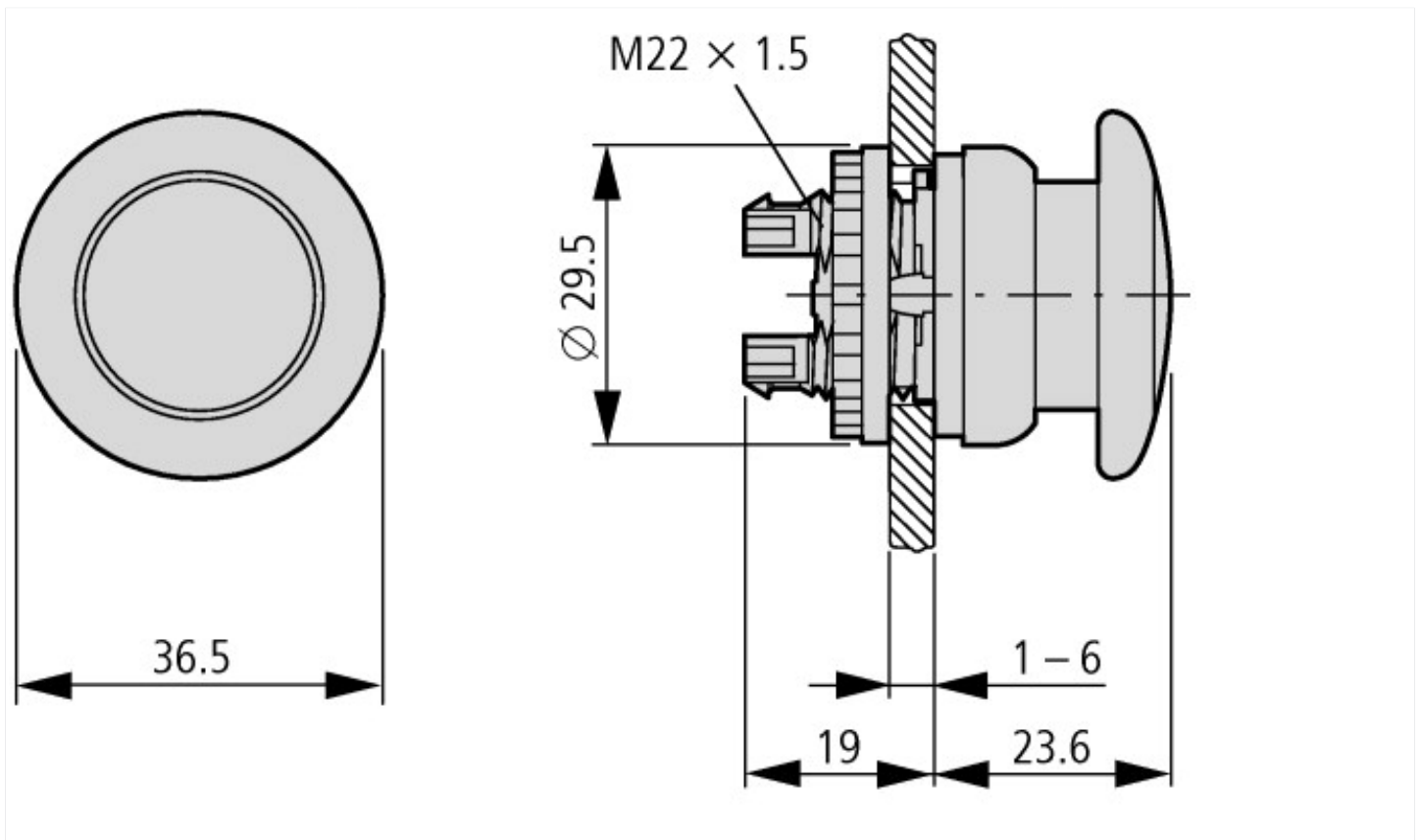
Low-voltage industrial components (EG000017) / Front element for mushroom push-button (EC001038)				
Electric engineering, automation, process control engineering / Low-voltage switch technology / Command and alarm device / Front element for mushroom push-button actuators (ec1@ss10.0.1-27-37-12-12 [AKF030014])				
Colour button				White
Construction type lens				Round
Diameter cap		mm		36.5
Hole diameter		mm		22.5

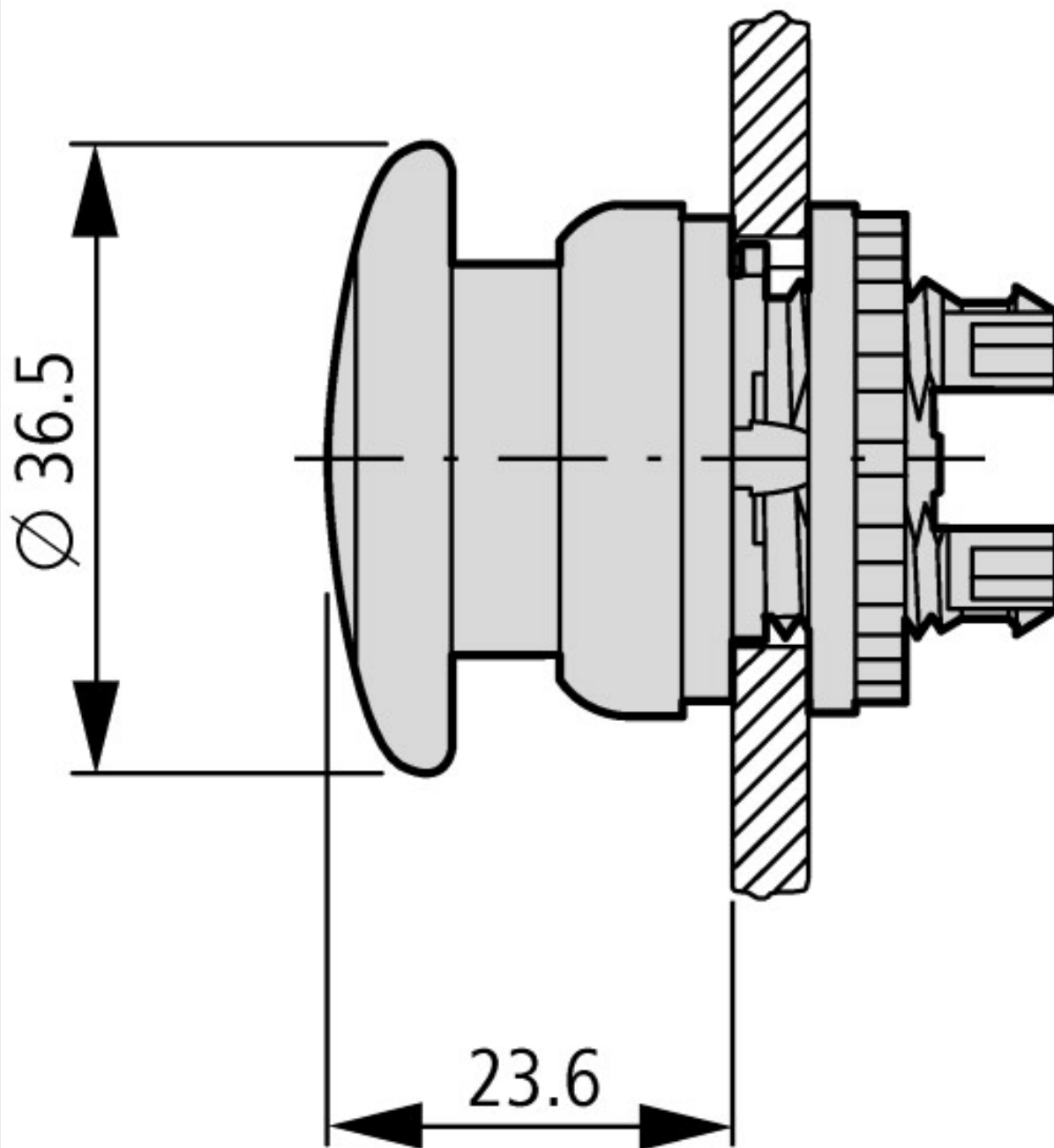
Width opening	mm	0
Height opening	mm	0
Degree of protection (IP)		IP67/IP69K
Degree of protection (NEMA)		4X
Type of button		Flat
Suitable for illumination		No
Switching function latching		Yes
Spring-return		Yes
With front ring		Yes
Material front ring		Plastic
Colour front ring		Chrome
Suitable for emergency stop		No
Unlocking method		None

Approvals

Product Standards		IEC/EN 60947-5; UL 508; CSA-C22.2 No. 14-05; CSA-C22.2 No. 94-91; CE marking
UL File No.		E29184
UL Category Control No.		NKCR
CSA File No.		012528
CSA Class No.		3211-03
North America Certification		UL listed, CSA certified
Degree of Protection		UL/CSA Type 3R, 4X, 12, 13

Dimensions





Assets (links)

Declaration of CE Conformity

00003256

Additional product information (links)

IL04716002Z (AWA1160-1745) RMQ-Titan System

IL04716002Z (AWA1160-1745) RMQ-Titan System

ftp://ftp.moeller.net/DOCUMENTATION/AWA_INSTRUCTIONS/IL04716002Z2018_10.pdf