



Fixing bracket

Part no. SL-FW
Catalog No. 205347
Alternate Catalog No. SL-FW

Delivery program

Product range			SL signal towers
Single unit/Complete unit			Stand-alone device
			90°, for wall mounting
Material			Metal
Connection to SmartWire-DT			no

Design verification as per IEC/EN 61439

Technical data for design verification			
Operating ambient temperature min.		°C	-25
Operating ambient temperature max.		°C	55

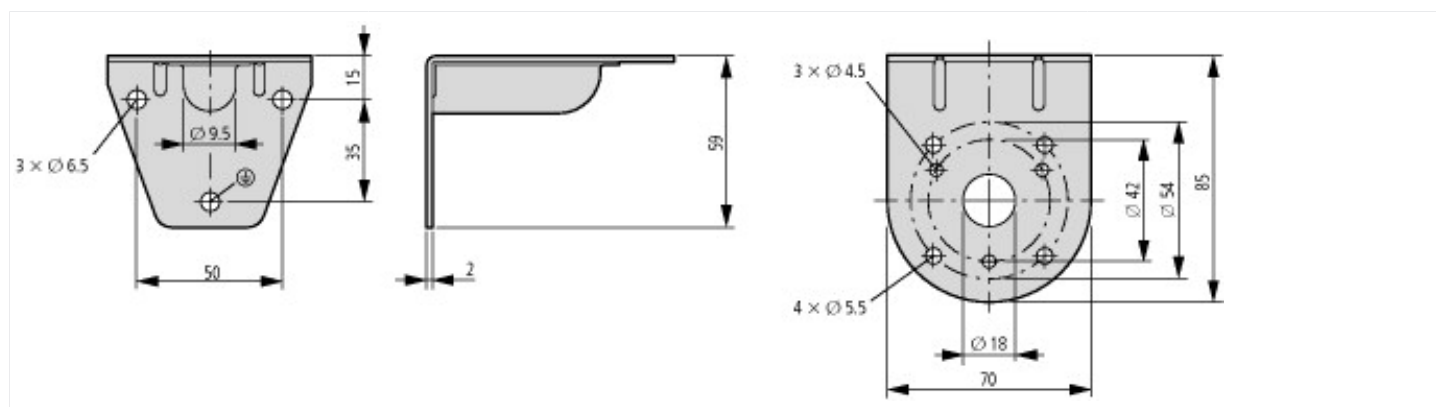
Technical data ETIM 7.0

Low-voltage industrial components (EG000017) / Wall bracket for signal tower (EC001153)			
Electric engineering, automation, process control engineering / Low-voltage switch technology / Command and alarm device / Signal column element, attaching bracket (ecI@ss10.0.1-27-37-12-33 [AKF051014])			
Mounting method			Wall mounting
Colour			Black

Approvals

Product Standards			IEC/EN 60947-5; UL 508; CSA-C22.2 No. 14-05; CSA-C22.2 No. 94-91; CE marking
UL File No.			E29184
UL Category Control No.			NKCR
CSA File No.			012528
CSA Class No.			3211-03
North America Certification			UL listed, CSA certified

Dimensions



Additional product information (links)

IL04716024Z (AWA1160-1685) Pillar lamps	
IL04716024Z (AWA1160-1685) Pillar lamps	https://es-assets.eaton.com/DOCUMENTATION/AWA_INSTRUCTIONS/IL04716024Z2018_05.pdf