



Retroreflective sensing sensor, Sn=3m, 4L, 10-30VDC, dark, NPN, PNP, quad 40, insulated material, line 2m

Part no. E65-SMPR3-HD
Catalog No. 135718
Alternate Catalog No. E65-SMPR3-HD

Delivery program

Basic function			Optical sensors
Product range			E65 SM Series
For connection of:			2 m connection cable
Design (outer dimensions)		mm	33 x 41 x 37
Rated operational voltage	U _e		10 - 30 V DC
Rated switching distance	S _n	mm	3000
Description			polarized light for combination with reflector
Connection			4-wire
Function			Reflex photoelectric sensor
Material			Insulated material
Switching type			NPN PNP
Switching principle			Dark switching

Notes for combination with reflector

Information relevant for export to North America

Product Standards UL 508; CSA-C22.2 No. 14; IEC60947-5-2; CE marking

UL File No. E166051

UL Category Control No. NRKH, NRKH7

CSA File No. UL report applies to both Canada and US

CSA Class No. –

North America Certification UL listed, certified by UL for use in Canada

Max. Voltage Rating 30 V DC

Degree of Protection IEC: IP68, IP69K; UL/CSA Type: 1, 3, 4, 4x, 6, 6P, 12, 13

Technical data

General

Standards			IEC/EN 60947-5-2
Ambient temperature			-25 - +55
Operation	θ	°C	-25 - +55
Storage	θ	°C	-25 - +70
Mechanical shock resistance		g	50 Shock duration 10 ms
Degree of Protection			IP68, IP69

Characteristics

Rated switching distance			
Rated switching distance	S _n	mm	3000
Range		mm	3
Rated operational voltage	U _e		10 - 30 V DC
Maximum load current	I _e	mA	< 100
Operating current in the switched state at 24 V DC	I _b	mA	20
Response time		ms	1
Switching state display		LED	Red
Operating voltage display		LED	Green
Boundary gain			Yellow
Protective functions			Short-circuit protective device Protection against polarity reversal

			Protection against wire breakage
Connection			4-wire
Style			
Design (outer dimensions)		mm	33 x 41 x 37
For connection of:			2 m connection cable
Material			Insulated material

Design verification as per IEC/EN 61439

Technical data for design verification			
Operating ambient temperature min.		°C	-25
Operating ambient temperature max.		°C	55

Technical data ETIM 7.0

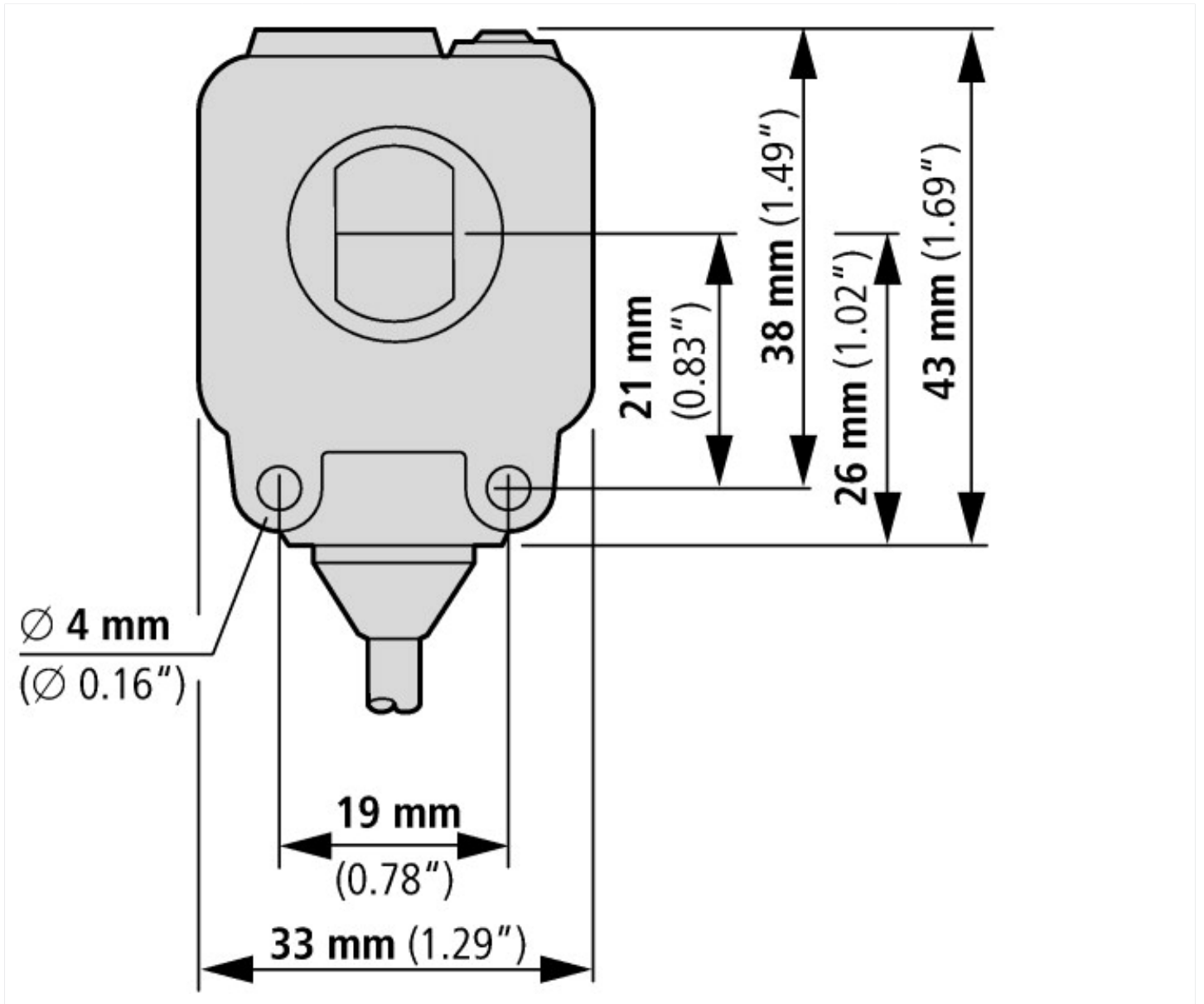
Sensors (EG000026) / Reflection light barrier (EC002717)			
Electric engineering, automation, process control engineering / Binary sensor technology, safety-related sensor technology / Optoelectronic sensor / Reflection light barrier (ecI@ss10.0.1-27-27-09-02 [AKP251013])			
Pre failure notice			No
With time function			No
Rated switching distance		mm	3000
Max. switching distance		mm	0
Max. output current		mA	100
Reflector included			No
Analogue output 0 V ... 10 V			No
Analogue output 0 mA ... 20 mA			No
Analogue output 4 mA ... 20 mA			No
Analogue output -10 V ... +10 V			No
With other analogue output			No
Setting procedure			Other
With communication interface analogue			No
With communication interface AS-Interface			No
With communication interface CANOpen			No
With communication interface DeviceNet			No
With communication interface Ethernet			No
With communication interface INTERBUS			No
With communication interface PROFIBUS			No
With communication interface RS-232			No
With communication interface RS-422			No
With communication interface RS-485			No
With communication interface SSD			No
With communication interface SSI			No
Number of semiconductor outputs with signalling function			2
Number of contact energized outputs with signalling function			0
Number of protected semiconductor outputs			0
Number of protected contact energized outputs			0
Type of interface for safety communication			
Type of electric connection			Cable
Type of switching output			PNP/NPN
Type of switch function			Other
Operation agent-safety class			
Explosion safety category for gas			None
Explosion safety category for dust			None
Construction type housing			Cuboid
Width sensor		mm	33
Diameter sensor		mm	0
Height of sensor		mm	43
Length of sensor		mm	41

Sensing mode			Dark switching
Material of optical surface			Plastic
Material housing			Plastic
Max. output current at protected output		mA	0
Min. reflector distance		mm	0
Ambient temperature		°C	25 - 55
Time of reaction		ms	0
Transmission range of the safety field		m	0
Switching frequency		Hz	500
Type of safety acc. IEC 61496-1			
"Switching voltage of OSSD at state ""high""		V	30
Rated control supply voltage Us at AC 50HZ		V	0 - 0
Rated control supply voltage Us at AC 60HZ		V	0 - 0
Rated control supply voltage Us at DC		V	10 - 30
Voltage type			DC
With monitoring function downstream switching devices			No
Laser protection class			None
Wavelength of the sensor		nm	660
Type of light			Other
Light dot		mm ²	0
With restart blockage			No
Suitable for safety functions			No
Degree of protection (IP)			IP67
Degree of protection (NEMA)			4X

Approvals

Product Standards			UL 508; CSA-C22.2 No. 14; IEC60947-5-2; CE marking
UL File No.			E166051
UL Category Control No.			NRKH, NRKH7
CSA File No.			UL report applies to both Canada and US
CSA Class No.			—
North America Certification			UL listed, certified by UL for use in Canada
Max. Voltage Rating			30 V DC
Degree of Protection			IEC: IP68, IP69K; UL/CSA Type: 1, 3, 4, 4x, 6, 6P, 12, 13

Dimensions





Assets (links)

Declaration of CE Conformity

00002426

Instruction Leaflets

IL05305004Z2018_05

Additional product information (links)

IL05305004Z E65 SM Series Optical Sensors

IL05305004Z E65 SM Series Optical Sensors ftp://ftp.moeller.net/DOCUMENTATION/AWA_INSTRUCTIONS/IL05305004Z2018_05.pdf