



Variable frequency drive, 600 V AC, 3-phase, 18.5 kW, IP54, Radio interference suppression filter, OLED display, FR6

Part no. SPX020A2-5A4N1
Catalog No. 125293
Alternate Catalog No. SPX020A2-5A4N1
EL-Nummer (Norway) 4100131

Delivery program

| | | | |
|----------------------------------|----------|----|---|
| Product range | | | Variable frequency drives |
| Part group reference (e.g. DIL) | | | SPX |
| Rated operational voltage | U_e | | 600 V AC, 3-phase 690 V AC, 3-phase |
| Output voltage with V_e | U_2 | | 600 V AC, 3-phase 690 V AC, 3-phase |
| Mains voltage (50/60Hz) | U_{LN} | V | 525 (-15%) - 690 (±10%) |
| Rated operational current | | | |
| At 150% overload | I_e | A | 22 |
| At 110% overload | I_e | A | 27 |
| Assigned motor rating | | | |
| Note | | | For AC motors with internal and external ventilation with 50 Hz / 60 Hz |
| Note | | | Overload cycle for 60 s every 600 s |
| Note | | | at 690 V, 50 Hz |
| 150 % Overload | P | kW | 18.5 |
| 110 % Overload | P | kW | 22 |
| 150 % Overload | I_M | A | 20.9 |
| 110 % Overload | I_M | A | 23.8 |
| Note | | | at 690 V, 60 Hz |
| 150 % Overload | P | HP | 20 |
| 110 % Overload | P | HP | 25 |
| 150 % Overload | I_M | A | 19 |
| 110 % Overload | I_M | A | 23 |
| Degree of Protection | | | IP54 |
| Fieldbus connection (optional) | | | PROFIBUS-DP PROFINET EtherCAT EtherNet/IP LonWorks CANopen® DeviceNet Modbus-TCP Modbus-RTU BACnet MS/TP |
| Fitted with | | | Radio interference suppression filter OLED display |
| Frame size | | | FR6 |
| Connection to SmartWire-DT | | | no |

Technical data

| | | | |
|----------------|--|--|---|
| General | | | |
| Standards | | | Specification for general requirements: IEC/EN 61800-2 EMC requirements: IEC/EN 61800-3 Safety requirements: IEC/EN 61800-5-1 |
| Certifications | | | CE, UL, cUL, RCM |
| Approvals | | | DNV |

| | | | |
|------------------------------------|----------|----|---|
| Production quality | | | RoHS, ISO 9001 |
| Climatic proofing | ρ_w | % | < 95% relative humidity, no condensation, no corrosion, no dripping water |
| Ambient temperature | | | |
| Operating ambient temperature min. | | °C | -10 |
| Operating ambient temperature max. | | °C | + 50 |
| operation (110 % overload) | θ | °C | -10 - +40 |
| Storage | θ | °C | -40 - +70 |
| Radio interference level | | | |
| Radio interference class (EMC) | | | C2, C3, depending on the motor cable length, the connected load, and ambient conditions. External radio interference suppression filters (optional) may be necessary. |
| Environment (EMC) | | | 1st and 2nd environments as per EN 61800-3 |
| Mounting position | | | Vertical |
| Altitude | | m | 0 - 1000 m above sea level above 1000 m with 1 % performance reduction per 100 m max. 3000 m |
| Degree of Protection | | | IP54 |
| Protection against direct contact | | | BGV A3 (VBG4, finger- and back-of-hand proof) |

Main circuit

| | | | |
|---------------------------------------|------------|-----|--|
| Supply | | | |
| Rated operational voltage | U_e | | 600 V AC, 3-phase 690 V AC, 3-phase |
| Mains voltage (50/60Hz) | U_{LN} | V | 525 (-15%) - 690 ($\pm 10\%$) |
| System configuration | | | AC supply systems with earthed center point |
| Supply frequency | f_{LN} | Hz | 50/60 |
| Frequency range | f_{LN} | Hz | 45–66 ($\pm 0\%$) |
| Power section | | | |
| Function | | | Variable frequency drive with internal DC link and IGBT inverter |
| Output voltage with V_e | U_2 | | 600 V AC, 3-phase 690 V AC, 3-phase |
| Output Frequency | f_2 | Hz | 0 - 50/60 (max. 320) |
| Switching frequency | f_{PWM} | kHz | 1.5 adjustable 1 - 6 |
| Operation Mode | | | U/f control sensorless vector control (SLV) optional: Vector control with feedback (CLV) |
| Frequency resolution (setpoint value) | Δf | Hz | 0.01 |
| Rated operational current | | | |
| At 150% overload | I_e | A | 22 |
| At 110% overload | I_e | A | 27 |
| Fitted with | | | Radio interference suppression filter OLED display |
| Frame size | | | FR6 |
| Motor feeder | | | |
| Note | | | For AC motors with internal and external ventilation with 50 Hz / 60 Hz |
| Note | | | Overload cycle for 60 s every 600 s |
| Note | | | at 690 V, 50 Hz |
| 150 % Overload | P | kW | 18.5 |
| 110 % Overload | P | kW | 22 |
| Note | | | at 690 V, 60 Hz |
| 150 % Overload | P | HP | 20 |
| 110 % Overload | P | HP | 25 |

Control section

| | | | |
|--------------------------|-------|---|--|
| External control voltage | U_c | V | 24 V DC (max. 250 mA) |
| Reference voltage | U_s | V | 10 V DC (max. 10 mA) |
| Analog inputs | | | 2, parameterizable, 0 - 10 V DC, 0/4 - 20 mA |
| Analog outputs | | | 1, parameterizable, 0/4 - 20 mA |
| Digital inputs | | | 6, parameterizable, max. 30 V DC |
| Digital outputs | | | 1, parameterizable, 48 V DC/50 mA |

| | | | |
|---|--|--|--|
| Relay outputs | | | 2, parameterizable, N/O, 8 A (24 V DC) / 8 A (250 V AC) / 0,4 A (125 V DC) |
| Assigned switching and protective elements | | | |
| Power Wiring | | | |
| Main choke | | | |
| 150 % overload (CT/I _H , at 50 °C) | | | DX-LN3-040 |
| Motor feeder | | | |
| motor choke | | | |
| 150 % overload (CT/I _H , at 50 °C) | | | DX-LM3-035 |
| 110 % overload (VT/I _L , at 40 °C) | | | DX-LM3-035 |
| Sine filter | | | |
| 150 % overload (CT/I _H , at 50 °C) | | | SIN-0035-6-0-P |
| 110 % overload (VT/I _L , at 40 °C) | | | SIN-0035-6-0-P |

Design verification as per IEC/EN 61439

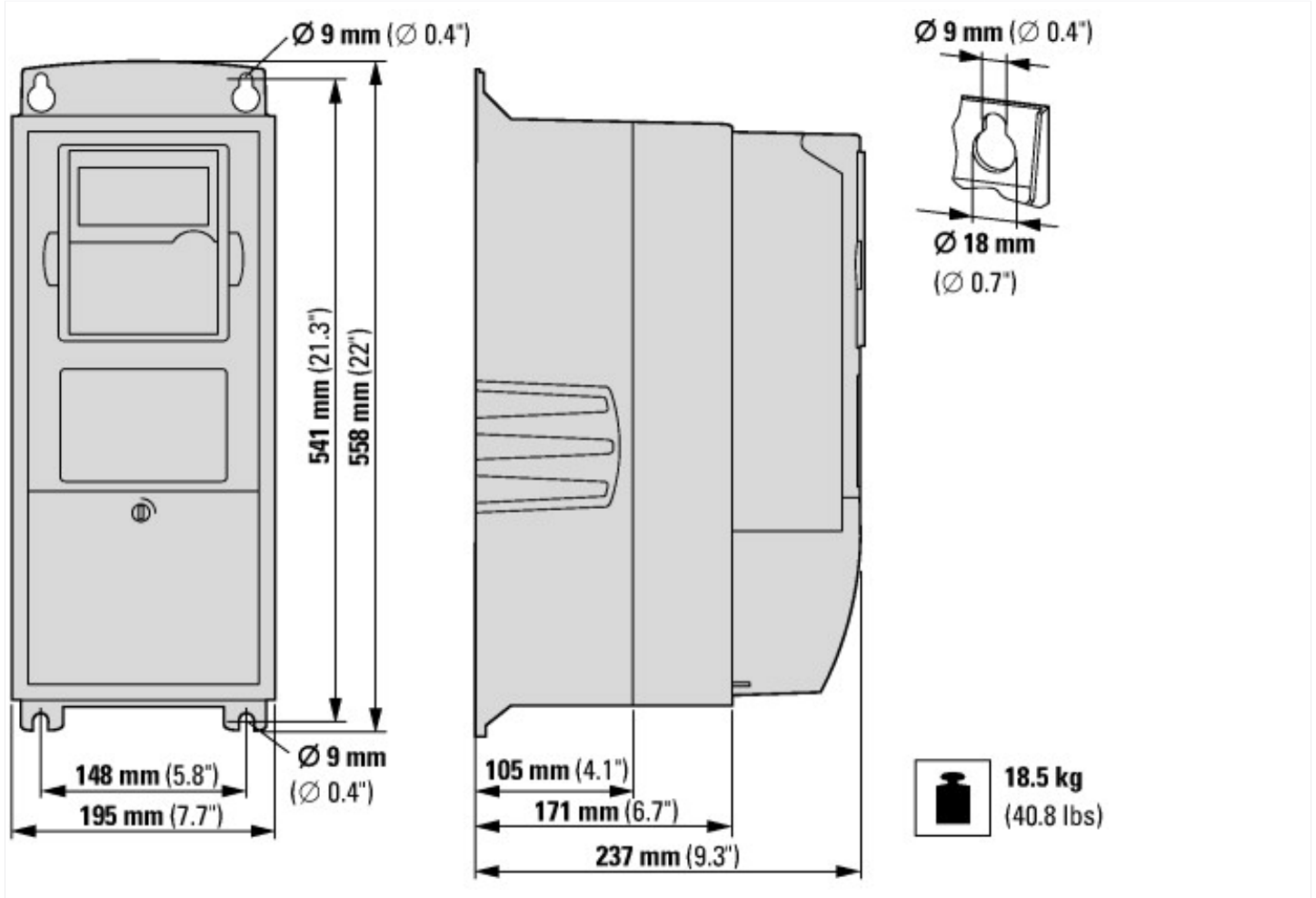
| | | | |
|--|-------------------|----|--|
| Technical data for design verification | | | |
| Rated operational current for specified heat dissipation | I _n | A | 22 |
| Heat dissipation per pole, current-dependent | P _{vid} | W | 0 |
| Equipment heat dissipation, current-dependent | P _{vid} | W | 463 |
| Static heat dissipation, non-current-dependent | P _{vs} | W | 0 |
| Heat dissipation capacity | P _{diss} | W | 0 |
| Operating ambient temperature min. | | °C | -10 |
| Operating ambient temperature max. | | °C | 50 |
| | | | Operation (with 150 % overload) |
| IEC/EN 61439 design verification | | | |
| 10.2 Strength of materials and parts | | | |
| 10.2.2 Corrosion resistance | | | Meets the product standard's requirements. |
| 10.2.3.1 Verification of thermal stability of enclosures | | | Meets the product standard's requirements. |
| 10.2.3.2 Verification of resistance of insulating materials to normal heat | | | Meets the product standard's requirements. |
| 10.2.3.3 Verification of resistance of insulating materials to abnormal heat and fire due to internal electric effects | | | Meets the product standard's requirements. |
| 10.2.4 Resistance to ultra-violet (UV) radiation | | | Meets the product standard's requirements. |
| 10.2.5 Lifting | | | Does not apply, since the entire switchgear needs to be evaluated. |
| 10.2.6 Mechanical impact | | | Does not apply, since the entire switchgear needs to be evaluated. |
| 10.2.7 Inscriptions | | | Meets the product standard's requirements. |
| 10.3 Degree of protection of ASSEMBLIES | | | Does not apply, since the entire switchgear needs to be evaluated. |
| 10.4 Clearances and creepage distances | | | Meets the product standard's requirements. |
| 10.5 Protection against electric shock | | | Does not apply, since the entire switchgear needs to be evaluated. |
| 10.6 Incorporation of switching devices and components | | | Does not apply, since the entire switchgear needs to be evaluated. |
| 10.7 Internal electrical circuits and connections | | | Is the panel builder's responsibility. |
| 10.8 Connections for external conductors | | | Is the panel builder's responsibility. |
| 10.9 Insulation properties | | | |
| 10.9.2 Power-frequency electric strength | | | Is the panel builder's responsibility. |
| 10.9.3 Impulse withstand voltage | | | Is the panel builder's responsibility. |
| 10.9.4 Testing of enclosures made of insulating material | | | Is the panel builder's responsibility. |
| 10.10 Temperature rise | | | The panel builder is responsible for the temperature rise calculation. Eaton will provide heat dissipation data for the devices. |
| 10.11 Short-circuit rating | | | Is the panel builder's responsibility. The specifications for the switchgear must be observed. |
| 10.12 Electromagnetic compatibility | | | Is the panel builder's responsibility. The specifications for the switchgear must be observed. |
| 10.13 Mechanical function | | | The device meets the requirements, provided the information in the instruction leaflet (IL) is observed. |

Approvals

| | | | |
|-------------------------|--|--|---|
| Product Standards | | | UL 508C; CSA-C22.2 No. 14; IEC/EN61800-3; IEC/EN61800-5; CE marking |
| UL File No. | | | E134360 |
| UL Category Control No. | | | NMMS, NMMS2, NMMS7, NMMS8 |

| | | |
|--------------------------------------|--|--|
| CSA File No. | | UL report applies to both US and Canada |
| CSA Class No. | | 3211-06 |
| North America Certification | | UL listed, certified by UL for use in Canada |
| Specially designed for North America | | No |
| Suitable for | | Branch circuits |
| Max. Voltage Rating | | 3- 690 V AC IEC: TN-S UL/CSA: "Y" (Solidly Grounded Wey) |
| Degree of Protection | | IEC: IP54 |

Dimensions



Assets (links)

Declaration of CE Conformity

00002807

Instruction Leaflets

IL04020008Z2018_05

Additional product information (links)

IL04020008Z Frequency inverter 9000X

IL04020008Z Frequency inverter 9000X

ftp://ftp.moeller.net/DOCUMENTATION/AWA_INSTRUCTIONS/IL04020008Z2018_05.pdf

Documentation

<http://www.eaton.eu/Europe/Electrical/ProductsServices/AutomationControl/SwitchingProtectingDrivingMotors/9000X/SPX9000/index.htm#tabs-4>