



**Switch-disconnector, DC current, 25A, 2 strings M12**

**Part no.** SOL30/2MV  
**Catalog No.** 120926  
**Alternate Catalog No.** SOL30-2MV  
**EL-Nummer (Norway)** 4300313

**Delivery program**

|                                     |       |   |                                     |
|-------------------------------------|-------|---|-------------------------------------|
| Product range                       |       |   | Switchgear for photovoltaic systems |
| Subrange                            |       |   | DC switch-disconnectors             |
| Rated operational voltage           | $U_e$ | V | 1000                                |
| Degree of Protection                |       |   | IP65                                |
| Protection class                    |       |   | 2                                   |
| Number of conductors                |       |   | 2 pole                              |
| <b>Inputs</b>                       |       |   |                                     |
| Inputs number of strings            |       |   | 2                                   |
| Inputs connection type              |       |   | Screw connector M12                 |
| <b>Outputs</b>                      |       |   |                                     |
| Outputs number of strings           |       |   | 1                                   |
| Outputs connection type             |       |   | Threaded connection M16             |
| Rated operational current at DC-21A | $I_e$ | A | 25                                  |
| Rated operational current at DC-PV1 | $I_e$ | A | 25                                  |
| Design                              |       |   | Enclosed                            |

**Technical data**

|   |            |            |  |
|---|------------|------------|--|
| Rated operational current $I_e$ at DC-21A | $I_e$      | A          | 25   |
| Number of poles                           |            |            | 2 pole   |
| Rated operational voltage                 | $U_e$      | V          | 1000   |
| Isolating characteristics                 |            |            | yes  |
| Standards                                 |            |            | IEC/EN 60947-3<br>TÜV-certified  |
| Lifespan, mechanical                      | Operations |            | 100000   |
| Electrical                                |            | Operations | 4500   |
| Max. operating frequency                  |            | Ops/h      | 120  |
| Climatic proofing                         |            |            | Damp heat, constant, to IEC 60068-2-78<br>Damp heat, cyclic, to IEC 60068-2-30 |
| Ambient temperature                       |            |            | -25 - +60  |
| Mounting position                         |            |            | As required  |
| Degree of Protection                      |            |            | IP65   |

**Dimensions**

|   |          |    |                      |
|---|----------|----|----------------------|
| Width                                     |          | mm | 100                  |
| Height                                    |          | mm | 215                  |
| Depth                                     |          | mm | 120                  |
| Weight                                    |          | kg | 0.42                 |
| Locking facility                          |          |    | in OFF-Position: yes |
| Rated short-time withstand current (t=1s) | $I_{cw}$ | kA | 0.36                 |
| up to 440 V 50/60 Hz                      | $I_{cm}$ | kA | 0.32                 |
| Internal resistance                       |          | mΩ | 7                    |

**Design verification as per IEC/EN 61439**

|  |  |    |     |
|--|--|----|-----|
| Technical data for design verification |  |    |     |
| Operating ambient temperature min.     |  | °C | -25 |
| Operating ambient temperature max.     |  | °C | 60  |

## Technical data ETIM 7.0

Low-voltage industrial components (EG000017) / Switch disconnecter (EC000216)

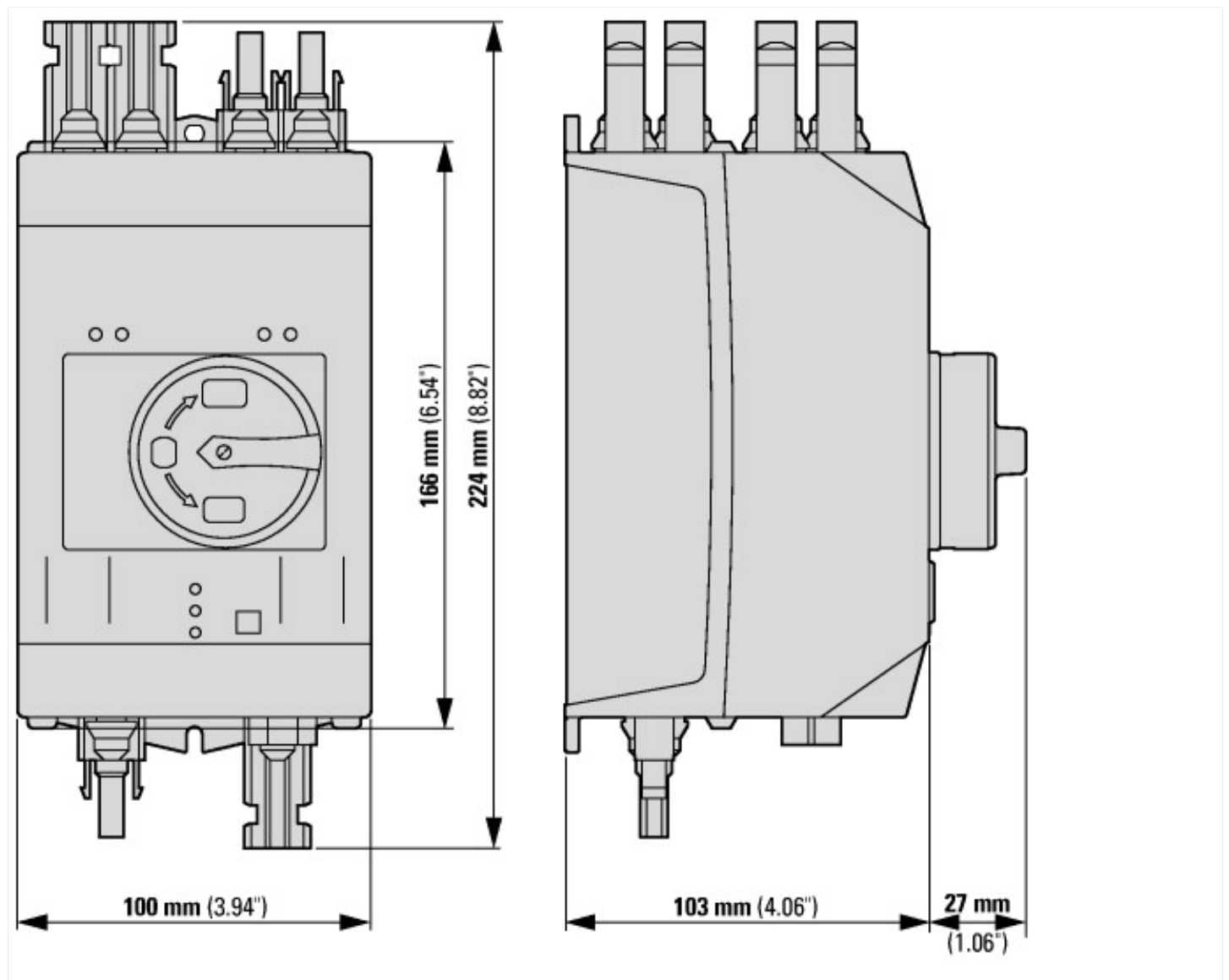
Electric engineering, automation, process control engineering / Low-voltage switch technology / Off-load switch, circuit breaker, control switch / Switch disconnecter (ec@ss10.0.1-27-37-14-03 [AKF060013])

|   |  |    |                            |
|---|--|----|----------------------------|
| Version as main switch                                  |  |    | No                         |
| Version as maintenance-/service switch                  |  |    | No                         |
| Version as safety switch                                |  |    | No                         |
| Version as emergency stop installation                  |  |    | No                         |
| Version as reversing switch                             |  |    | No                         |
| Number of switches                                      |  |    | 1                          |
| Max. rated operation voltage Ue AC                      |  | V  | 0                          |
| Rated operating voltage                                 |  | V  | 1000 - 1000                |
| Rated permanent current Iu                              |  | A  | 30                         |
| Rated permanent current at AC-23, 400 V                 |  | A  | 0                          |
| Rated permanent current at AC-21, 400 V                 |  | A  | 0                          |
| Rated operation power at AC-3, 400 V                    |  | kW | 0                          |
| Rated short-time withstand current Icw                  |  | kA | 0.36                       |
| Rated operation power at AC-23, 400 V                   |  | kW | 0                          |
| Switching power at 400 V                                |  | kW | 30                         |
| Conditioned rated short-circuit current Iq              |  | kA | 0                          |
| Number of poles   |  |    | 2                          |
| Number of auxiliary contacts as normally closed contact |  |    | 0                          |
| Number of auxiliary contacts as normally open contact   |  |    | 0                          |
| Number of auxiliary contacts as change-over contact     |  |    | 0                          |
| Motor drive optional                                    |  |    | No                         |
| Motor drive integrated                                  |  |    | No                         |
| Voltage release optional                                |  |    | Yes                        |
| Device construction                                     |  |    | Complete device in housing |
| Suitable for ground mounting                            |  |    | Yes                        |
| Suitable for front mounting 4-hole                      |  |    | No                         |
| Suitable for front mounting centre                      |  |    | No                         |
| Suitable for distribution board installation            |  |    | No                         |
| Suitable for intermediate mounting                      |  |    | No                         |
| Colour control element                                  |  |    | Black                      |
| Type of control element                                 |  |    | Toggle                     |
| Interlockable   |  |    | No                         |
| Type of electrical connection of main circuit           |  |    | Other                      |
| Degree of protection (IP), front side                   |  |    | IP65                       |
| Degree of protection (NEMA)                             |  |    | Other                      |

## Approvals

|                                      |  |  |    |
|--------------------------------------|--|--|----|
| Specially designed for North America |  |  | No |
|--------------------------------------|--|--|----|

## Dimensions



## Assets (links)

### Declaration of CE Conformity

00003240

### Instruction Leaflets

IL008036ZU2018\_06

## Additional product information (links)

### IL008036ZU DC Disconnector, enclosed

|  |   |
|--|---|
| IL008036ZU DC Disconnector, enclosed                                       | <a href="ftp://ftp.moeller.net/DOCUMENTATION/AWA_INSTRUCTIONS/IL008036ZU2018_06.pdf">ftp://ftp.moeller.net/DOCUMENTATION/AWA_INSTRUCTIONS/IL008036ZU2018_06.pdf</a>   |
| Motor starters and "Special Purpose Ratings" for the North American market | <a href="http://www.eaton.eu/ecm/groups/public/@pub/@europe/@electrical/documents/content/pct_3258146.pdf">http://www.eaton.eu/ecm/groups/public/@pub/@europe/@electrical/documents/content/pct_3258146.pdf</a> |
| Busbar Component Adapters for modern Industrial control panels             | <a href="http://www.moeller.net/binary/ver_techpapers/ver960en.pdf">http://www.moeller.net/binary/ver_techpapers/ver960en.pdf</a>   |