



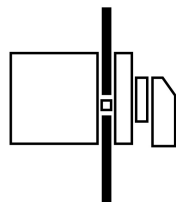
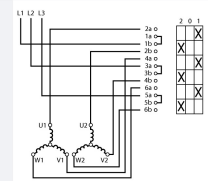
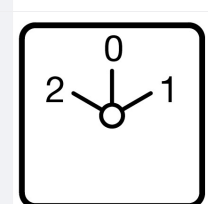
**Multi-speed switches, T5B, 63 A, flush mounting, 3 contact unit(s),
Contacts: 6, 60 °, maintained, With 0 (Off) position, 2-0-1, Design number 7**

**Part no. T5B-3-7/E
Catalog No. 092394**



Similar to illustration

Delivery program

| | | | |
|--|----------------|-----------------|---|
| Product range | | | Control switches |
| Part group reference | | | T5B |
| Basic function | | | Multi-speed switches with black thumb grip and front plate |
| Contacts | | | 6 |
| Degree of Protection | | | Front IP65 |
| Design | | | flush mounting  |
| Contact sequence | | |  |
| switching function | | | 2 speeds |
| Switching angle | | ° | 60 |
| Switching performance | | | maintained With 0 (Off) position |
| Design number | | | 7 |
| Front plate no. | | |  FS 621 |
| front plate | | | 2-0-1 |
| Motor rating AC-23A, 50 - 60 Hz | | | |
| 400 V | P | kW | 30 |
| Rated uninterrupted current | I _u | A | 63 |
| Note on rated uninterrupted current I _u | | | Rated uninterrupted current I _u is specified for max. cross-section. |
| Number of contact units | | contact unit(s) | 3 |

Technical data

| | | | |
|---------------------|--|--|--|
| General | | | |
| Standards | | | IEC/EN 60947, VDE 0660, IEC/EN 60204, CSA, UL Switch-disconnector according to IEC/EN 60947-3 |
| Climatic proofing | | | Damp heat, constant, to IEC 60068-2-78 Damp heat, cyclic, to IEC 60068-2-30 |
| Ambient temperature | | | |

| | | | |
|---------------------------------------|-----------|------|-------------|
| Open | | °C | -25 - +50 |
| Enclosed | | °C | -25 - +40 |
| Overvoltage category/pollution degree | | | III/3 |
| Rated impulse withstand voltage | U_{imp} | V AC | 6000 |
| Mechanical shock resistance | | g | 15 |
| Mounting position | | | As required |

Contacts

| | | | |
|---|----------|-----------|--|
| Electrical characteristics | | | |
| Rated operational voltage | U_e | V AC | 690 |
| Rated uninterrupted current | I_u | A | 63 |
| Note on rated uninterrupted current I_u | | | Rated uninterrupted current I_u is specified for max. cross-section. |
| Load rating with intermittent operation, class 12 | | | |
| AB 25 % DF | | x I_e | 2 |
| AB 40 % DF | | x I_e | 1.6 |
| AB 60 % DF | | x I_e | 1.3 |
| Short-circuit rating | | | |
| Fuse | | A gG/gL | 80 |
| Rated short-time withstand current (1 s current) | I_{cw} | A_{rms} | 1300 |
| Note on rated short-time withstand current I_{cw} | | | Current for a time of 1 second |
| Rated conditional short-circuit current | I_q | kA | 2 |

Switching capacity

| | | | |
|--|--------------|----------|-------|
| cos φ rated making capacity as per IEC 60947-3 | | A | 800 |
| Rated breaking capacity cos φ to IEC 60947-3 | | A | |
| 230 V | | A | 520 |
| 400/415 V | | A | 600 |
| 500 V | | A | 480 |
| 690 V | | A | 340 |
| Safe isolation to EN 61140 | | | |
| between the contacts | | V AC | 440 |
| Current heat loss per contact at I_e | | W | 4.5 |
| Current heat loss per auxiliary circuit at I_e (AC-15/230 V) | | CO | 4.5 |
| Lifespan, mechanical | Operations | x 10^6 | > 0.5 |
| Maximum operating frequency | Operations/h | | 1200 |
| AC | | | |
| AC-3 | | | |
| Rating, motor load switch | P | kW | |
| 220 V 230 V | P | kW | 15 |
| 230 V Star-delta | P | kW | 18.5 |
| 400 V 415 V | P | kW | 22 |
| 400 V Star-delta | P | kW | 30 |
| 500 V | P | kW | 22 |
| 500 V Star-delta | P | kW | 37 |
| 690 V | P | kW | 15 |
| 690 V Star-delta | P | kW | 22 |
| Rated operational current motor load switch | | | |
| 230 V | I_e | A | 51 |
| 230 V star-delta | I_e | A | 63 |
| 400V 415 V | I_e | A | 41 |
| 400 V star-delta | I_e | A | 63 |
| 500 V | I_e | A | 33 |
| 500 V star-delta | I_e | A | 57.2 |
| 690 V | I_e | A | 17 |
| 690 V star-delta | I_e | A | 29.4 |
| AC-21A | | | |

| | | | |
|---|-------------------|----------------|--|
| Rated operational current switch | | | |
| 440 V | I _e | A | 63 |
| AC-23A | | | |
| Motor rating AC-23A, 50 - 60 Hz | | | |
| 230 V | P | kW | 18.5 |
| 400 V 415 V | P | kW | 30 |
| 500 V | P | kW | 22 |
| 690 V | P | kW | 22 |
| Rated operational current motor load switch | | | |
| 230 V | I _e | A | 63 |
| 400 V 415 V | I _e | A | 63 |
| 500 V | I _e | A | 33 |
| 690 V | I _e | A | 23.8 |
| DC | | | |
| DC-1, Load-break switches L/R = 1 ms | | | |
| Rated operational current | I _e | A | 63 |
| Voltage per contact pair in series | | V | 60 |
| DC-23A, motor load switch L/R = 15 ms | | | |
| 24 V | | | |
| Rated operational current | I _e | A | 50 |
| Contacts | | Quantity | 1 |
| 48 V | | | |
| Rated operational current | I _e | A | 50 |
| Contacts | | Quantity | 2 |
| 60 V | | | |
| Rated operational current | I _e | A | 50 |
| Contacts | | Quantity | 3 |
| 120 V | | | |
| Rated operational current | I _e | A | 25 |
| Contacts | | Quantity | 3 |
| 240 V | | | |
| Rated operational current | I _e | A | 20 |
| Contacts | | Quantity | 6 |
| DC-13, Control switches L/R = 50 ms | | | |
| Rated operational current | I _e | A | 25 |
| Voltage per contact pair in series | | V | 24 |
| Control circuit reliability at 24 V DC, 10 mA | Fault probability | H _F | < 10 ⁻⁵ , < 1 failure in 100,000 switching operations |

Terminal capacities

| | | | |
|--------------------------------------|--|-----------------|----------------------------------|
| Solid or stranded | | mm ² | 1 x (2,5 - 35) 2 x (2,5 - 16) |
| Flexible with ferrules to DIN 46228 | | mm ² | 1 x (1 - 25) 2 x (1.5 - 10) |
| Terminal screw | | | M6 |
| Tightening torque for terminal screw | | Nm | 4 |

Technical safety parameters:

| | | | |
|--------------|--|--|---|
| Notes | | | B10 _d values as per EN ISO 13849-1, table C1 |
|--------------|--|--|---|

Rating data for approved types

| | | | |
|----------------------------------|----------------|------|-----|
| Contacts | | | |
| Rated operational voltage | U _e | V AC | 600 |
| Rated uninterrupted current max. | | | |
| Main conducting paths | | | |
| General use | | A | 63 |
| Switching capacity | | | |
| Maximum motor rating | | | |
| Single-phase | | | |

| | | |
|--|-------|--------------|
| 120 V AC | HP | 3 |
| 200 V AC | HP | 7.5 |
| 240 V AC | HP | 10 |
| Three-phase | | |
| 200 V AC | HP | 15 |
| 240 V AC | HP | 15 |
| 480 V AC | HP | 40 |
| 600 V AC | HP | 40 |
| Short Circuit Current Rating | SCCR | |
| High fault rating | kA | 10 |
| max. Fuse | A | 100, Class J |
| Terminal capacity | | |
| Solid or flexible conductor with ferrule | AWG | 12 - 4 |
| Terminal screw | | M6 |
| Tightening torque | lb-in | 35.4 |

Design verification as per IEC/EN 61439

| | | | |
|--|------------|----|--|
| Technical data for design verification | | | |
| Rated operational current for specified heat dissipation | I_n | A | 63 |
| Heat dissipation per pole, current-dependent | P_{vid} | W | 4.5 |
| Equipment heat dissipation, current-dependent | P_{vid} | W | 0 |
| Static heat dissipation, non-current-dependent | P_{vs} | W | 0 |
| Heat dissipation capacity | P_{diss} | W | 0 |
| Operating ambient temperature min. | | °C | -25 |
| Operating ambient temperature max. | | °C | 50 |
| IEC/EN 61439 design verification | | | |
| 10.2 Strength of materials and parts | | | |
| 10.2.2 Corrosion resistance | | | Meets the product standard's requirements. |
| 10.2.3.1 Verification of thermal stability of enclosures | | | Meets the product standard's requirements. |
| 10.2.3.2 Verification of resistance of insulating materials to normal heat | | | Meets the product standard's requirements. |
| 10.2.3.3 Verification of resistance of insulating materials to abnormal heat and fire due to internal electric effects | | | Meets the product standard's requirements. |
| 10.2.4 Resistance to ultra-violet (UV) radiation | | | UV resistance only in connection with protective shield. |
| 10.2.5 Lifting | | | Does not apply, since the entire switchgear needs to be evaluated. |
| 10.2.6 Mechanical impact | | | Does not apply, since the entire switchgear needs to be evaluated. |
| 10.2.7 Inscriptions | | | Meets the product standard's requirements. |
| 10.3 Degree of protection of ASSEMBLIES | | | Does not apply, since the entire switchgear needs to be evaluated. |
| 10.4 Clearances and creepage distances | | | Meets the product standard's requirements. |
| 10.5 Protection against electric shock | | | Does not apply, since the entire switchgear needs to be evaluated. |
| 10.6 Incorporation of switching devices and components | | | Does not apply, since the entire switchgear needs to be evaluated. |
| 10.7 Internal electrical circuits and connections | | | Is the panel builder's responsibility. |
| 10.8 Connections for external conductors | | | Is the panel builder's responsibility. |
| 10.9 Insulation properties | | | |
| 10.9.2 Power-frequency electric strength | | | Is the panel builder's responsibility. |
| 10.9.3 Impulse withstand voltage | | | Is the panel builder's responsibility. |
| 10.9.4 Testing of enclosures made of insulating material | | | Is the panel builder's responsibility. |
| 10.10 Temperature rise | | | The panel builder is responsible for the temperature rise calculation. Eaton will provide heat dissipation data for the devices. |
| 10.11 Short-circuit rating | | | Is the panel builder's responsibility. The specifications for the switchgear must be observed. |
| 10.12 Electromagnetic compatibility | | | Is the panel builder's responsibility. The specifications for the switchgear must be observed. |
| 10.13 Mechanical function | | | The device meets the requirements, provided the information in the instruction leaflet (IL) is observed. |

Technical data ETIM 7.0

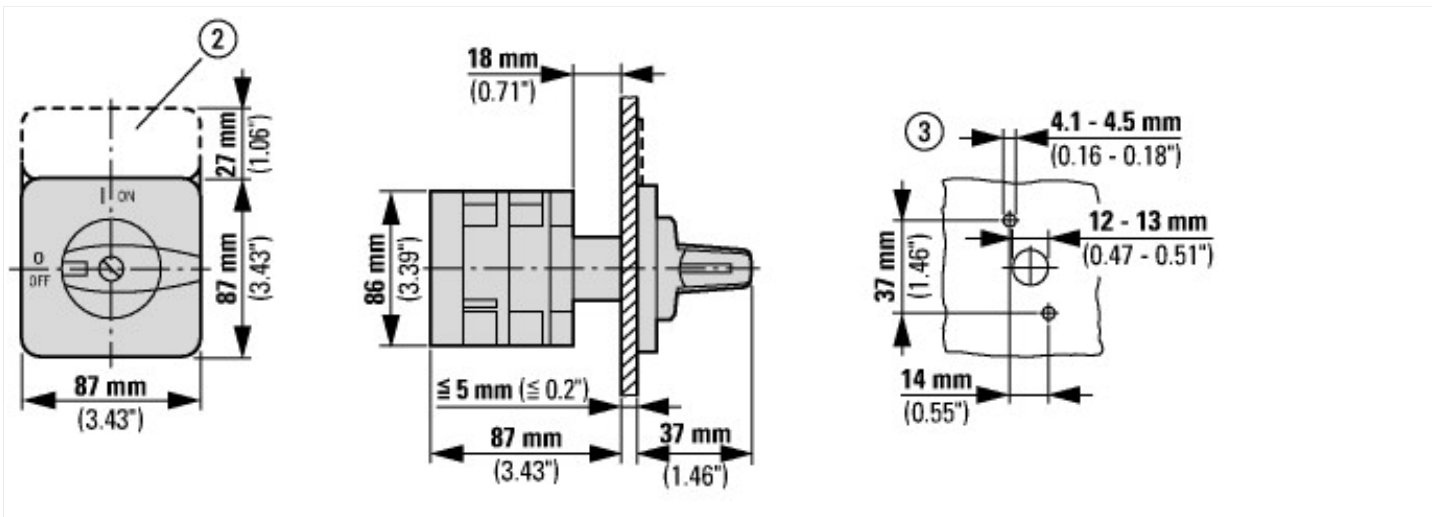
Low-voltage industrial components (EG000017) / Off-load switch (EC001105)

| | | |
|---|----|------------------|
| Model | | Pole switch |
| Number of poles | | 3 |
| With 0 (off) position | | Yes |
| With retraction in 0-position | | No |
| Rated permanent current I _u | A | 63 |
| Rated operation current I _e at AC-3, 400 V | A | 41 |
| Rated operation power at AC-3, 400 V | kW | 22 |
| Degree of protection (IP), front side | | IP65 |
| Degree of protection (NEMA), front side | | 12 |
| Number of auxiliary contacts as normally closed contact | | 0 |
| Number of auxiliary contacts as normally open contact | | 0 |
| Number of auxiliary contacts as change-over contact | | 0 |
| Suitable for ground mounting | | No |
| Suitable for front mounting 4-hole | | Yes |
| Suitable for distribution board installation | | No |
| Suitable for intermediate mounting | | No |
| Complete device in housing | | No |
| Material housing | | Plastic |
| Type of control element | | Toggle |
| Type of electrical connection of main circuit | | Screw connection |

Approvals

| | | |
|-----------------------------|--|--|
| Product Standards | | UL 60947-4-1; CSA - C22.2 No. 60947-4-1-14; CSA-C22.2 No. 94; IEC/EN 60947-3; CE marking |
| UL File No. | | E36332 |
| UL Category Control No. | | NLRV |
| CSA File No. | | 12528 |
| CSA Class No. | | 3211-07 |
| North America Certification | | UL listed, CSA certified |
| Suitable for | | Branch circuits, suitable as motor disconnect |
| Degree of Protection | | IEC: IP65; UL/CSA Type 1, 12 |

Dimensions



② ZFS-... Label mount not included as standard

③ Drilling dimensions door

Cam switches T5B and T5 are of identical design, only their contacts are different

Assets (links)

Declaration of CE Conformity

00003073

Instruction Leaflets

IL03801009Z2018_05

Additional product information (links)

IL03801009Z (AWA1150-1692) Cam switches: switch-disconnectors

| | |
|---|---|
| IL03801009Z (AWA1150-1692) Cam switches: switch-disconnectors | ftp://ftp.moeller.net/DOCUMENTATION/AWA_INSTRUCTIONS/IL03801009Z2018_05.pdf |
| Display flip catalog page. | http://ecat.moeller.net/flip-cat/?edition=K115A&startpage=135 |
| Technical overview cam switch, switch-disconnector | http://de.ecat.moeller.net/flip-cat/?edition=HPLTEv1&startpage=4.2 |
| System overview cam switch T | http://de.ecat.moeller.net/flip-cat/?edition=HPLTEv1&startpage=4.4 |
| System overview switch-disconnector P | http://de.ecat.moeller.net/flip-cat/?edition=HPLTEv1&startpage=4.6 |
| Key to part numbers Cam switch | http://de.ecat.moeller.net/flip-cat/?edition=HPLTEv1&startpage=4.8 |
| Key to part numbers Switch-disconnector | http://de.ecat.moeller.net/flip-cat/?edition=HPLTEv1&startpage=4.8 |
| Switches for ATEX | http://www.coopercrouse-hinds.eu/en/products/25-ex-safety-and-main-current-switches.html |
| Ordering form for SOND switches and SOND front plates(DE_EN) | ftp://ftp.moeller.net/DOCUMENTATION/PDF/MZ008005ZU_Orderform_Customized_Switch.pdf |
| Ordering form for SOND switches and SOND front plates(DE_EN) | ftp://ftp.moeller.net/DOCUMENTATION/PDF/MZ008006ZU_Orderform_Customized_Switch.pdf |