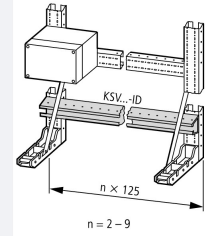


Cable anchoring rail, HxWxD=15x30x750mm CI distribution board

Part no. KSV6-ID
Catalog No. 070119
EL-Nummer (Norway) 2502285

Delivery program

Product range		xEnergy Safety Ci
Basic function		Distribution board assembly
Product function		Accessories
Accessories		Cable anchoring rails
For use with		For T-slot cleats
For use with		
125 mm grid spacing	Number	6 x 125
Length	mm	750

Technical data ETIM 7.0

Energy distribution systems (EG000015) / Cable guide for enclosures/cabinets (EC000322)		
Electric engineering, automation, process control engineering / Electrical insulation and connecting material / Energy distribution system / Cable guide for cabinets (ecl@ss10.0.1-27-40-06-04 [AC0371011])		
Model		Cable guard rail
Material		Metal
Suitable for 19 inch mounting		No
Width	mm	30
Number of height units		0

Additional product information (links)

allowInterrupt=1&RevisionSelectionMethod=LatestReleased&noSaveAs=0&Render=1 http://www.eaton.eu/DE/ecm/idcplg?IdcService=GET_FILE&model certification xEnergy Safety Ci	
allowInterrupt=1&RevisionSelectionMethod=LatestReleased&noSaveAs=0&Render=1 http://www.eaton.eu/DE/ecm/idcplg?IdcService=GET_FILE&Save time – we assist you with expert pre-assembly	
allowInterrupt=1&RevisionSelectionMethod=LatestReleased&noSaveAs=0&Render=1 http://www.eaton.eu/DE/ecm/idcplg?IdcService=GET_FILE&product information xEnergy Safety Ci	
tool for calculating the power loss for switching device combinations	http://www.eaton.eu/DE/Europe/Electrical/CustomersSupport/ConfigurationTools/TCool/index.htm
configurator - xEnergy family	http://www.eaton.eu/DE/Europe/Electrical/CustomersSupport/ConfigurationTools/xEnergyMainSupport/index.htm